



US00D345029S

**United States Patent** [19]  
**Morelli**

[11] **Patent Number: Des. 345,029**

[45] **Date of Patent: \*\* Mar. 8, 1994**

[54] **FLOOR LAMP**

[56] **References Cited**

**U.S. PATENT DOCUMENTS**

[75] **Inventor: Francesco C. Morelli, Rome, Italy**

D. 334,441 3/1993 Nicolin ..... D26/106

**OTHER PUBLICATIONS**

[73] **Assignee: Artemide S.p.A., Milan, Italy**

Abitare, Mar. 1985, p. 31, Table Lamp.

[\*\*] **Term: 14 Years**

*Primary Examiner*—Susan J. Lucas  
*Attorney, Agent, or Firm*—Kane, Dalsimer, Sullivan,  
Kurucz, Levy, Eisele & Richard

[21] **Appl. No.: 891,463**

[57] **CLAIM**

The ornamental design for a floor lamp, as shown and described.

[22] **Filed: May 29, 1992**

**DESCRIPTION**

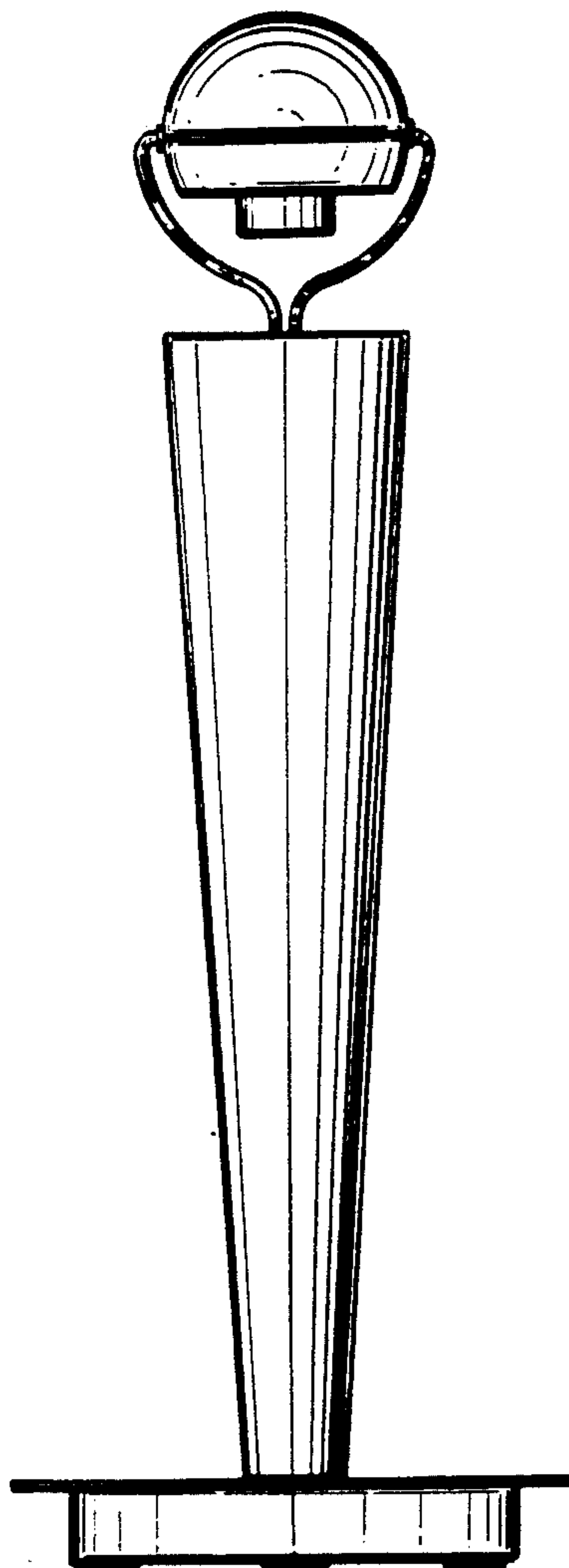
[30] **Foreign Application Priority Data**

Nov. 29, 1991 [IT] Italy ..... TO910000252

[52] **U.S. Cl. .... D26/106**

[58] **Field of Search .... 362/410-414;  
D26/93, 102-112**

FIG. 1 is a front view of my new design;  
FIG. 2 is a rear view thereof;  
FIG. 3 is a left side view thereof;  
FIG. 4 is a right side view thereof;  
FIG. 5 is a top view thereof; and,  
FIG. 6 is a bottom view thereof.



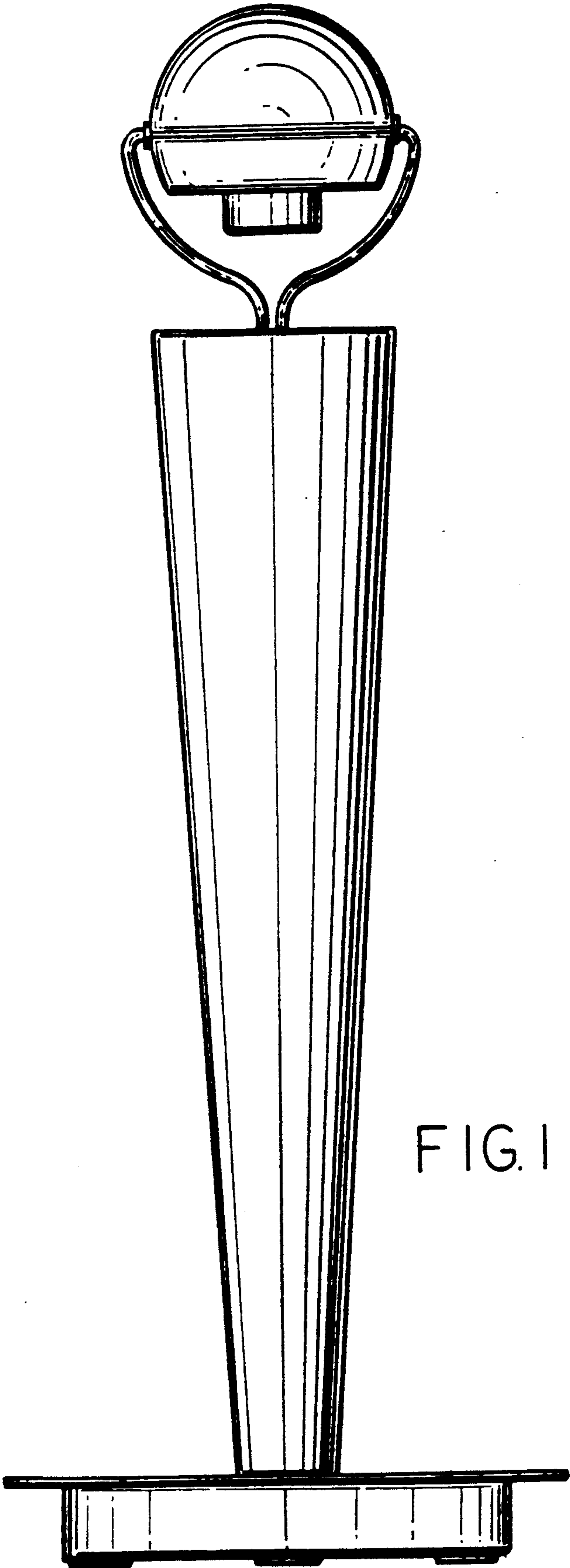


FIG. 1

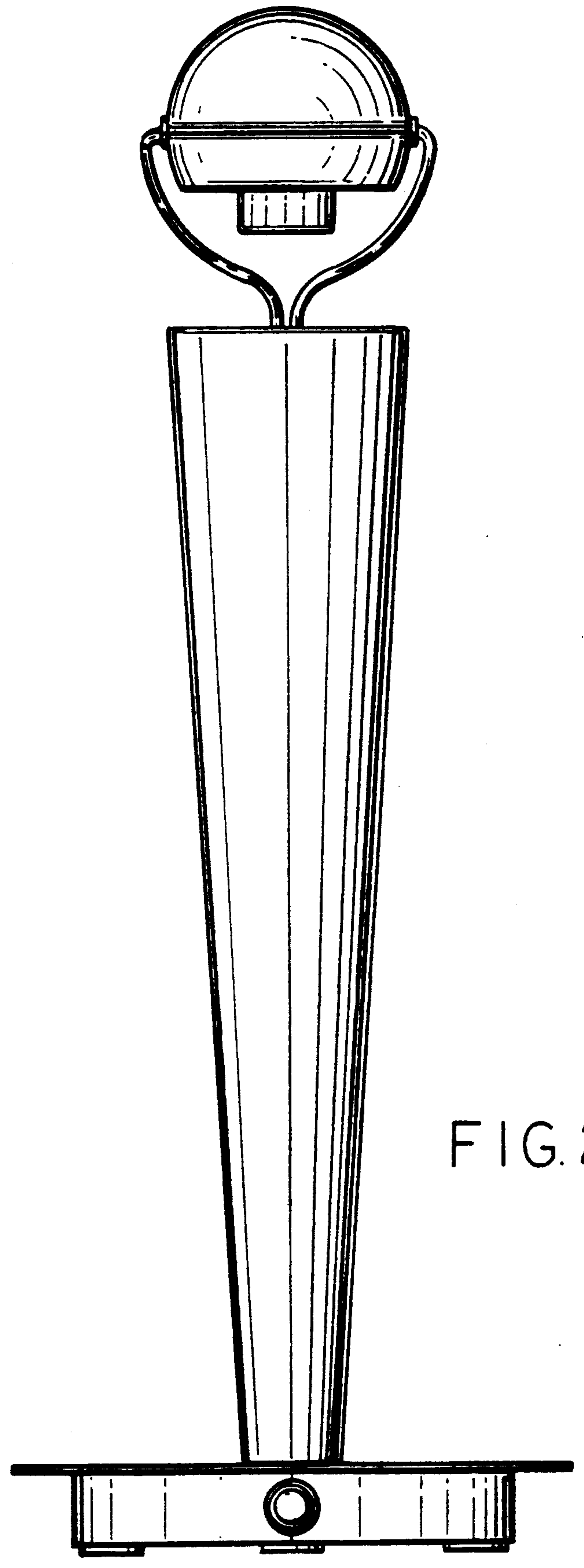


FIG. 2

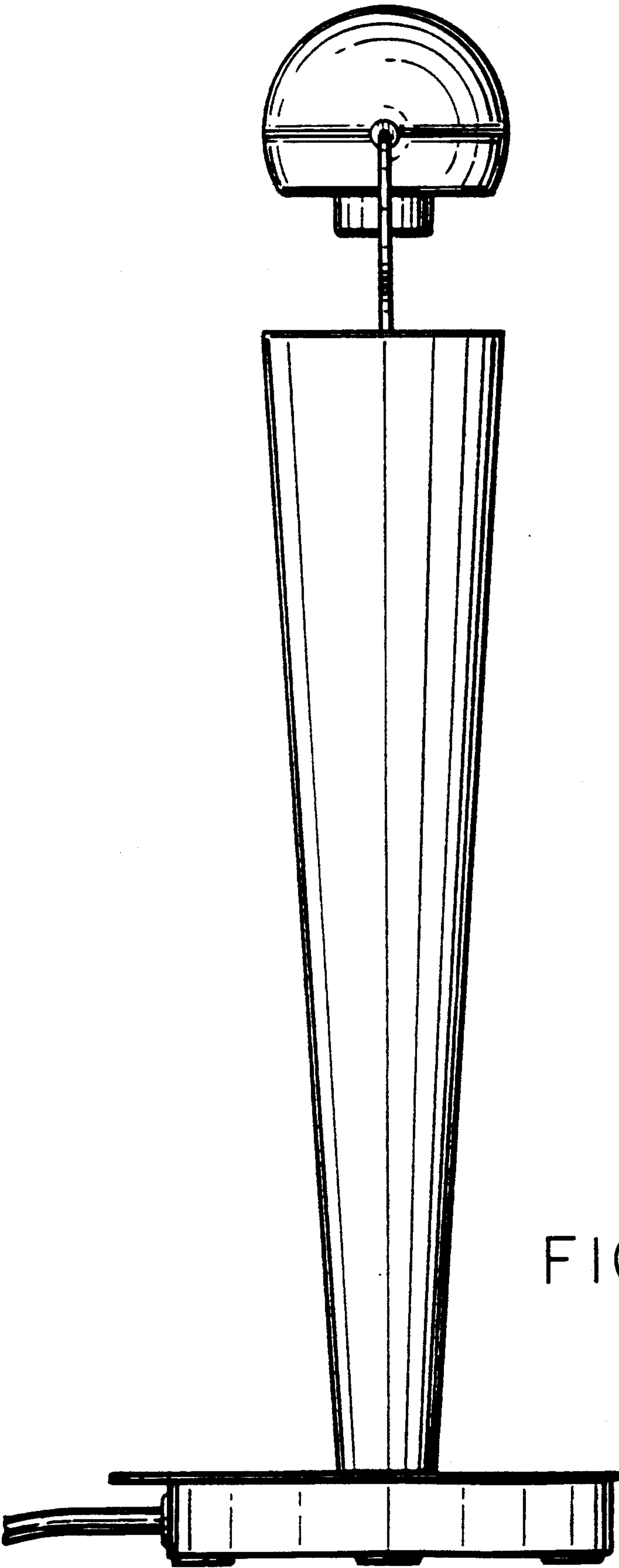


FIG. 3

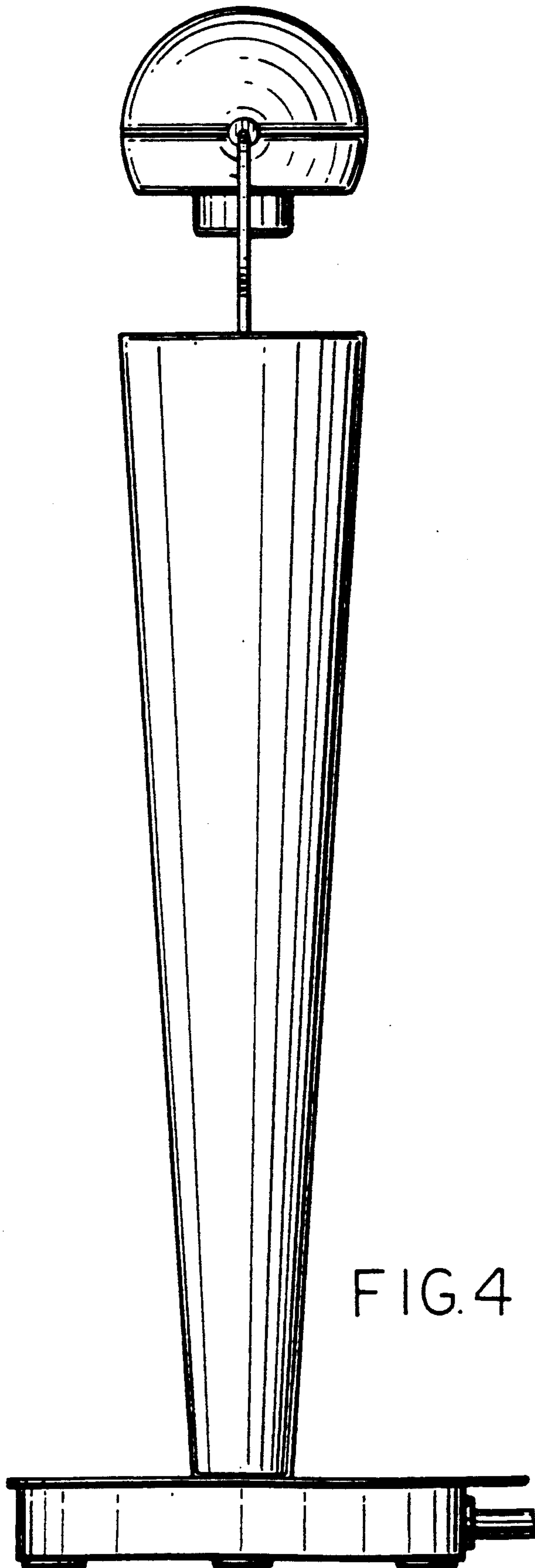


FIG. 4

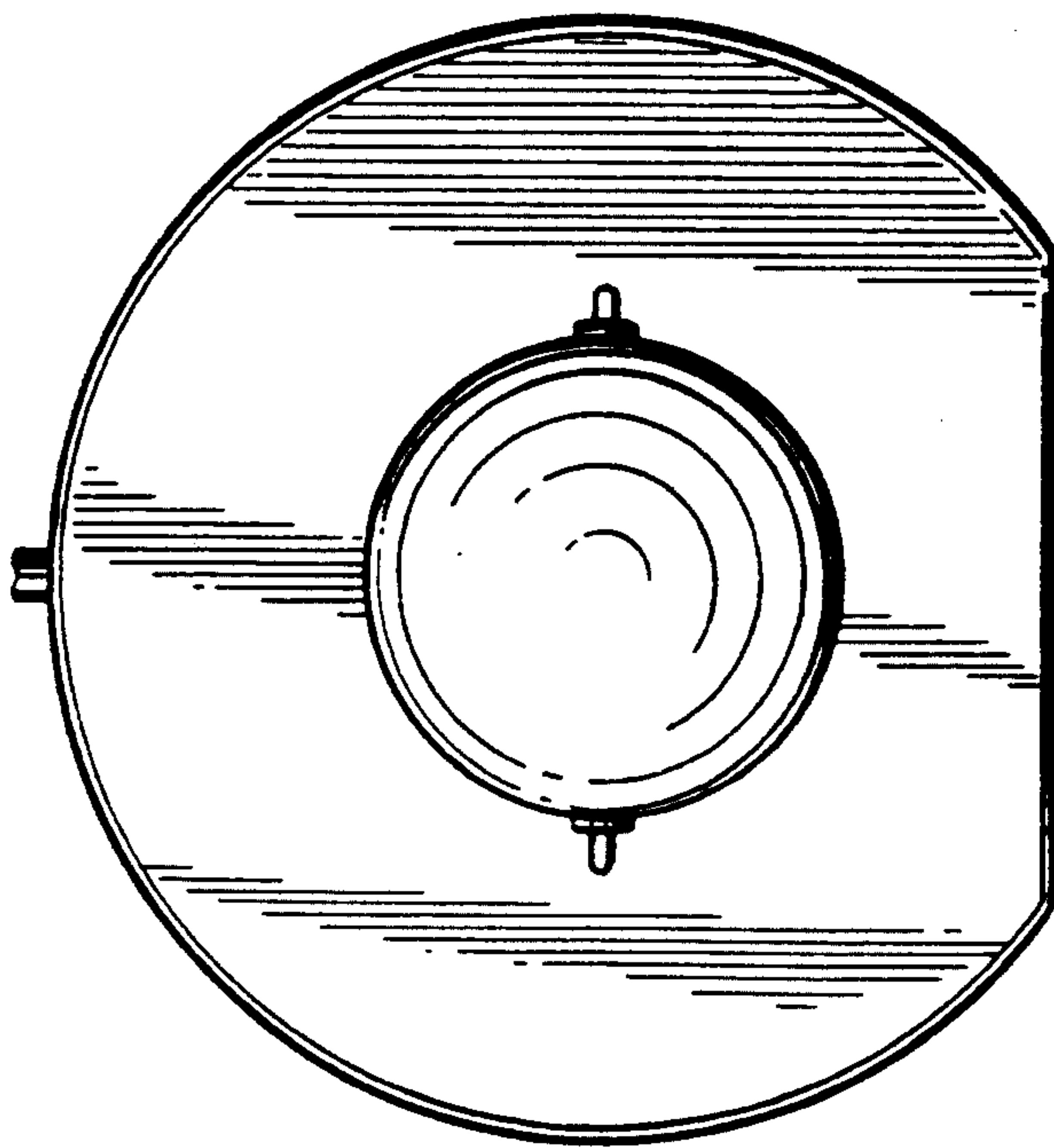


FIG. 5

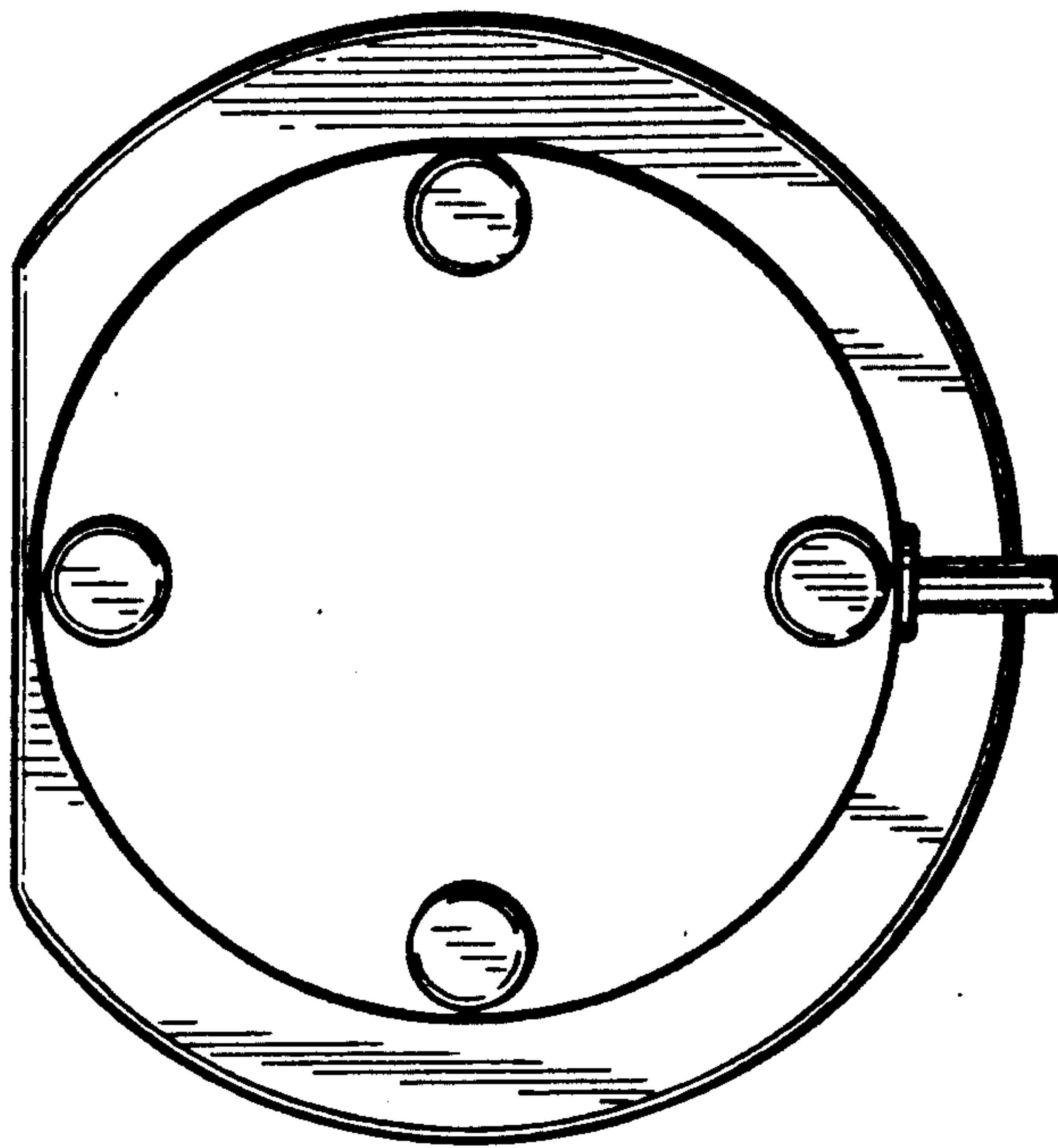


FIG. 6