



US00D345025S

United States Patent [19]
Tsao

[11] **Patent Number: Des. 345,025**
[45] **Date of Patent: ** Mar. 8, 1994**

[54] **HALOGEN FLOODLIGHT**

[75] **Inventor: Frank Tsao, San Chung City, Taiwan**

[73] **Assignee: Caster Lighting, Inc., Taipei Hsien, Taiwan**

[**] **Term: 14 Years**

[21] **Appl. No.: 885,227**

[22] **Filed: May 20, 1992**

[52] **U.S. Cl. D26/63**

[58] **Field of Search 362/147, 269, 275, 285, 362/418, 419, 427; D26/60-65**

[56] **References Cited**

U.S. PATENT DOCUMENTS

D. 295,791 5/1988 Strandberg D26/63
3,254,205 5/1966 Cobb 362/269 X

OTHER PUBLICATIONS

North Star's "Guide to Innovative Lighting", Jan. 1986, p. 12, Marine Star Floodlight.

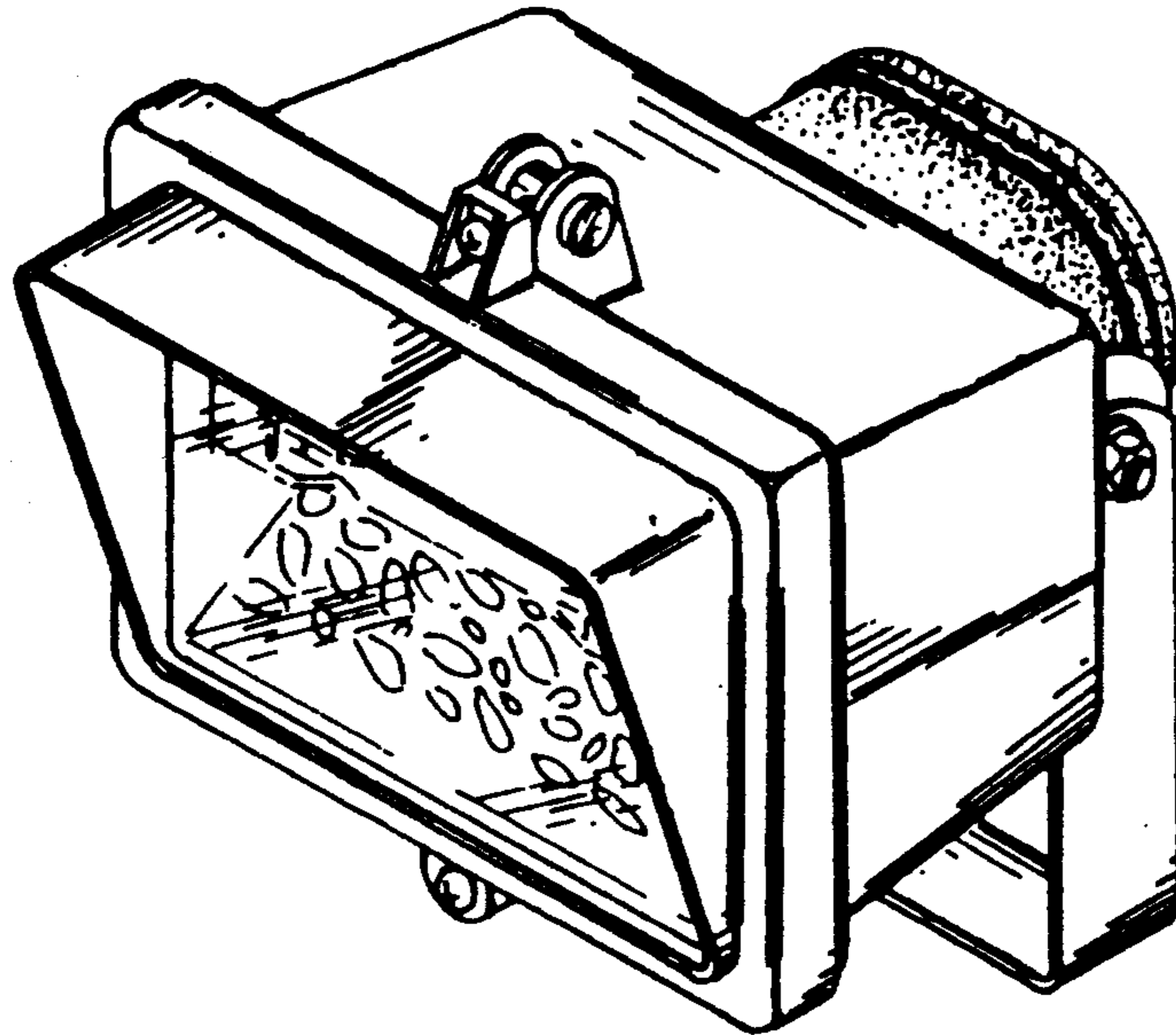
Primary Examiner—Susan J. Lucas
Attorney, Agent, or Firm—Bacon & Thomas

[57] **CLAIM**

The ornamental design for a halogen floodlight, as shown and described.

DESCRIPTION

FIG. 1 is a front view of the halogen floodlight;
FIG. 2 is a rear view thereof;
FIG. 3 is a left side view thereof;
FIG. 4 is a right side view thereof;
FIG. 5 is a top view thereof;
FIG. 6 is a bottom view thereof; and,
FIG. 7 is a perspective view thereof.



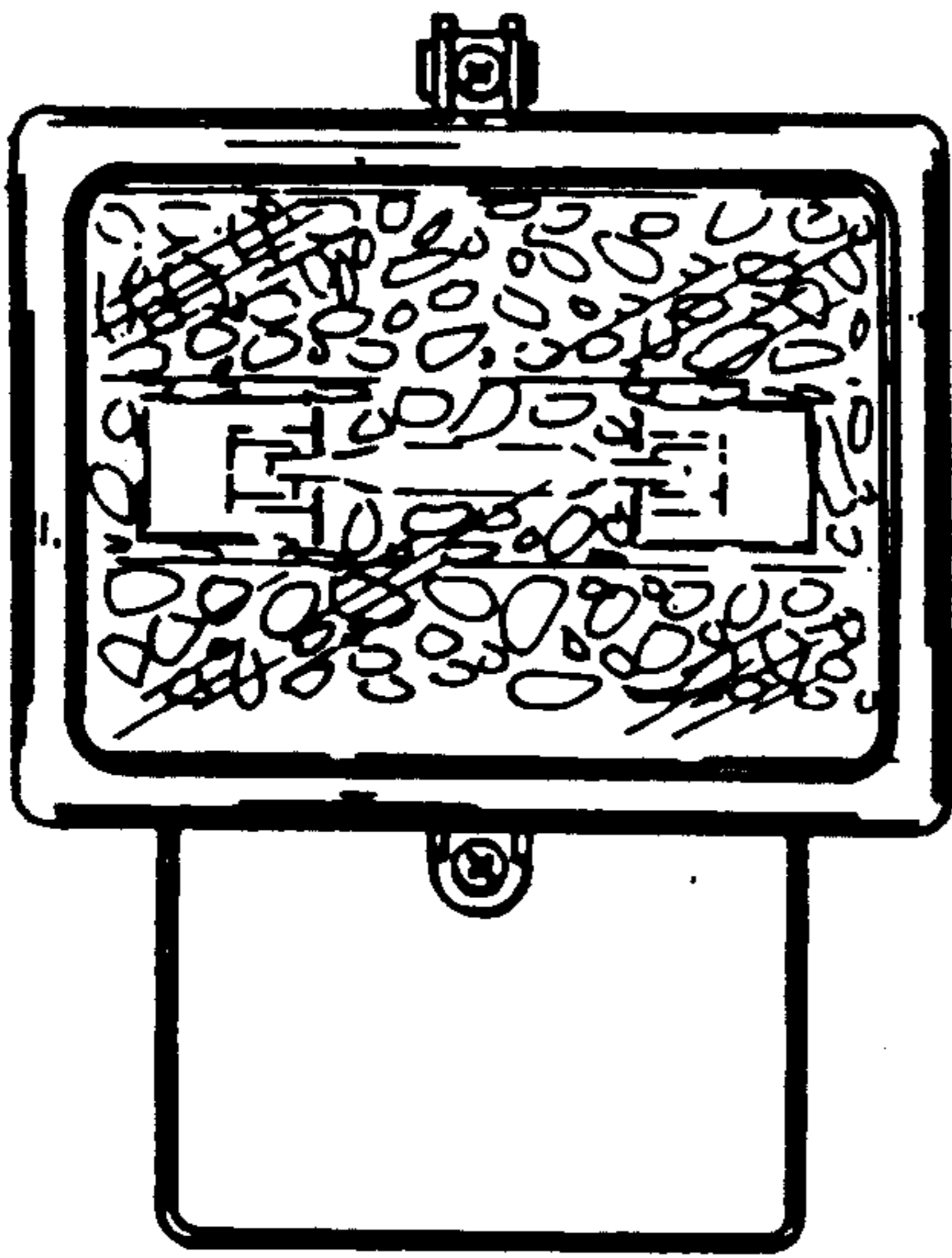


FIG. 1

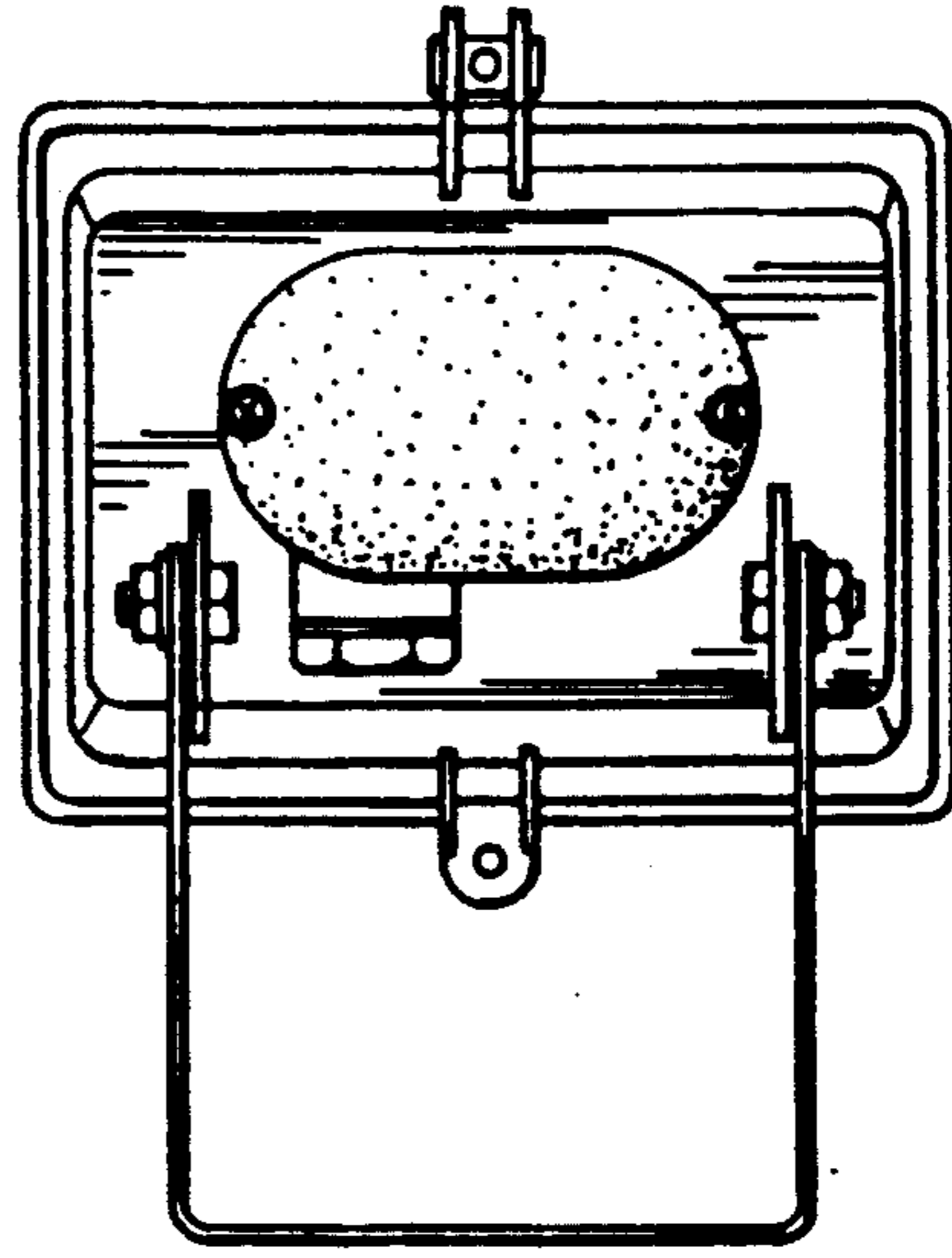


FIG. 2

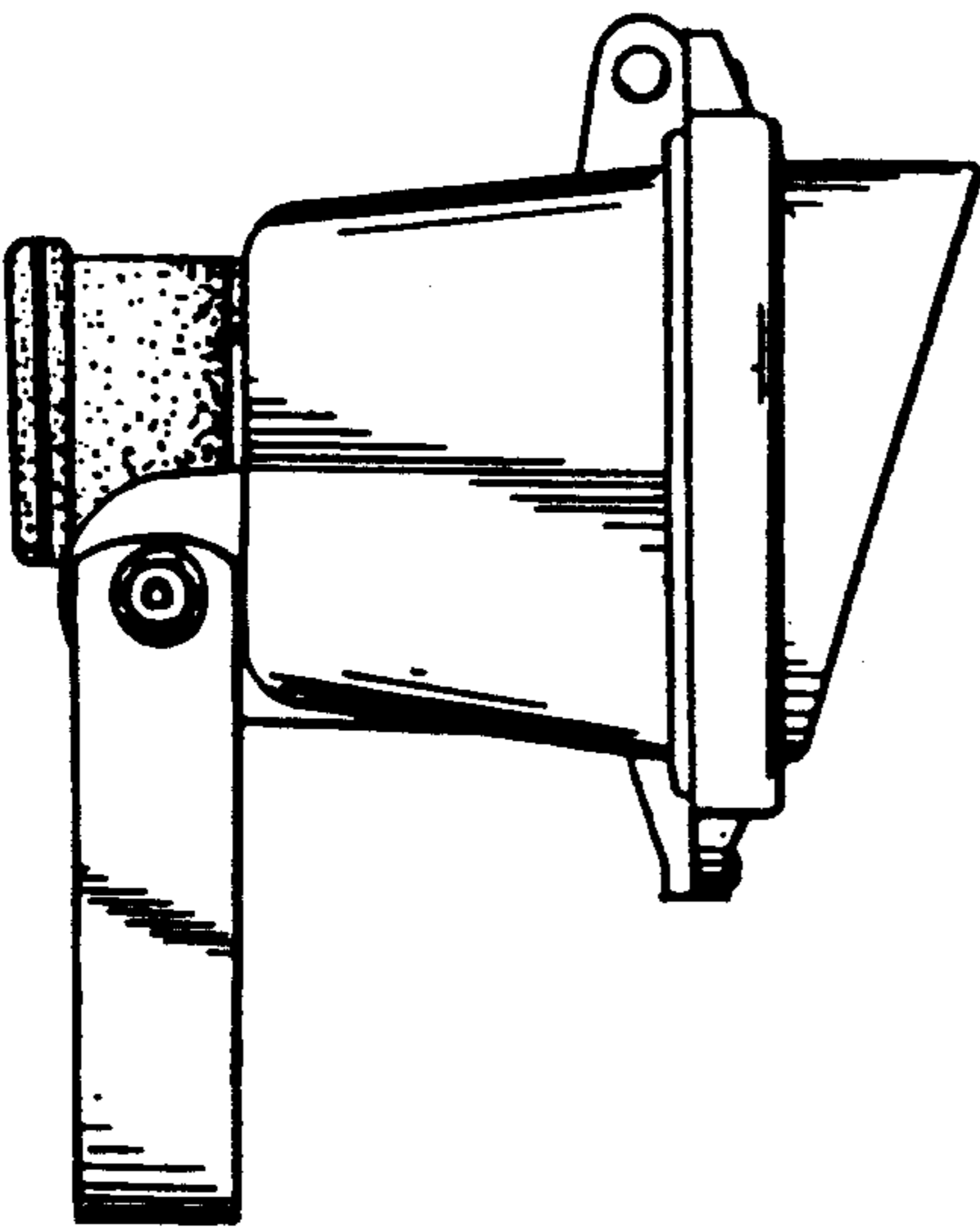


FIG. 3

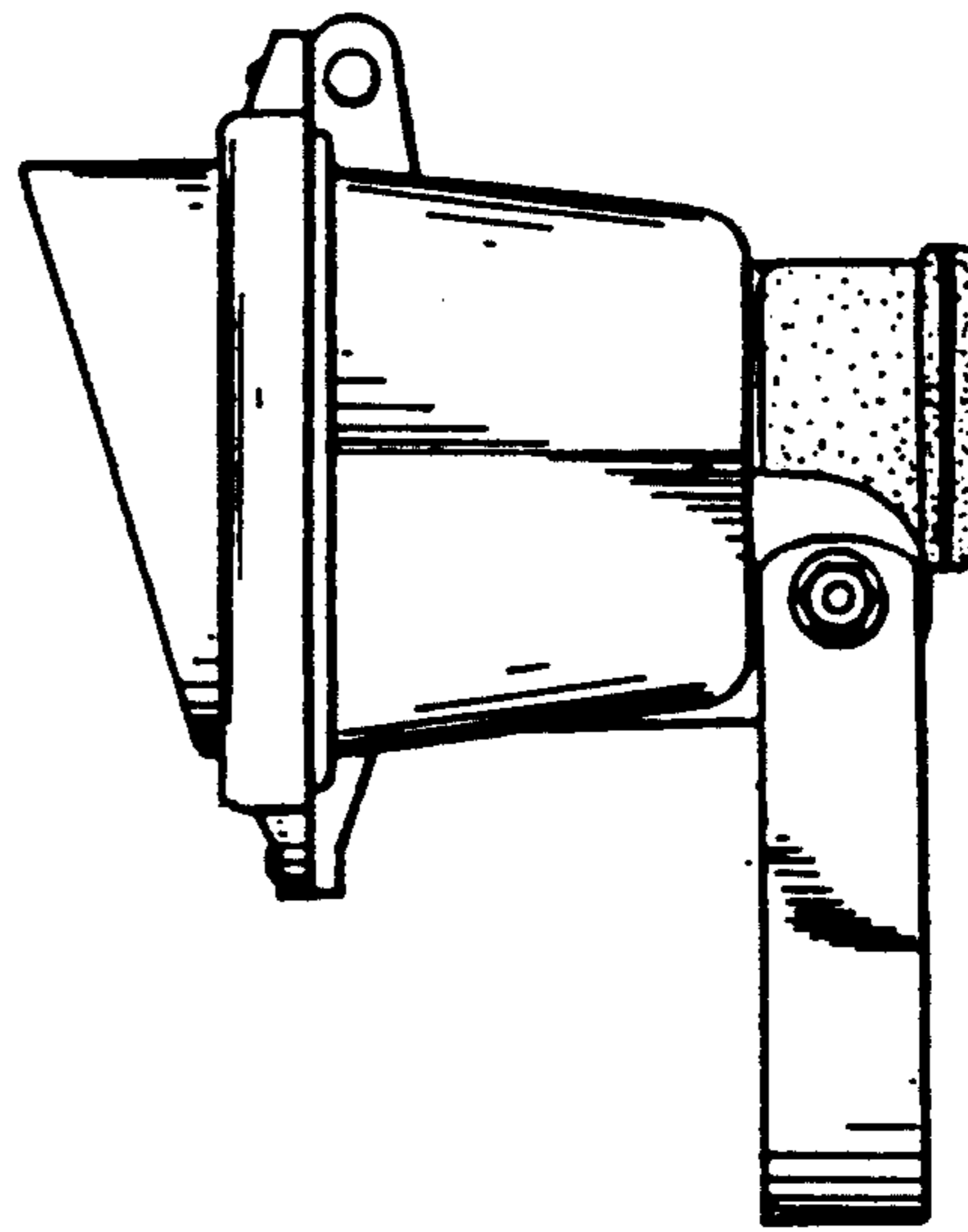


FIG. 4

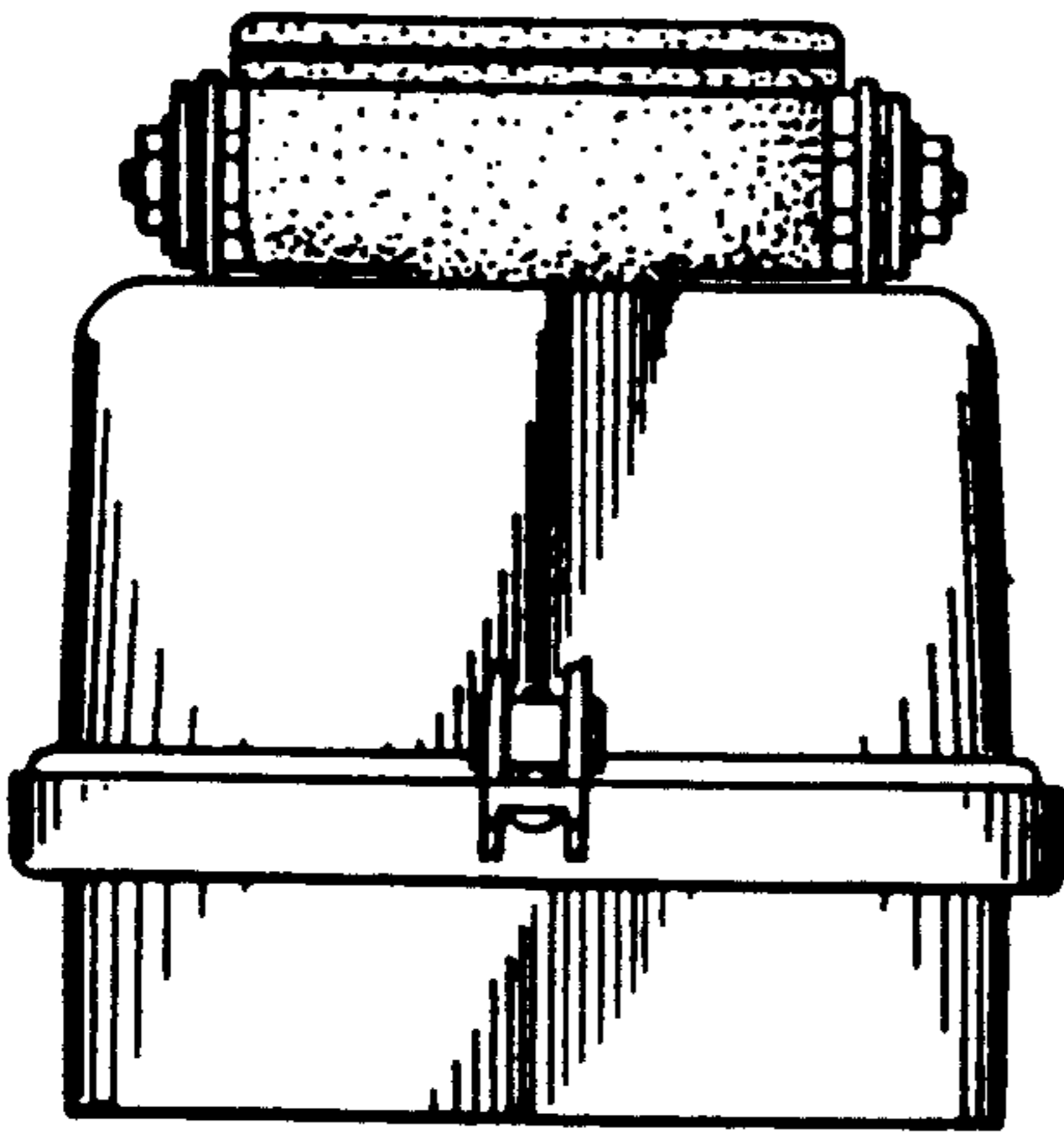


FIG. 5

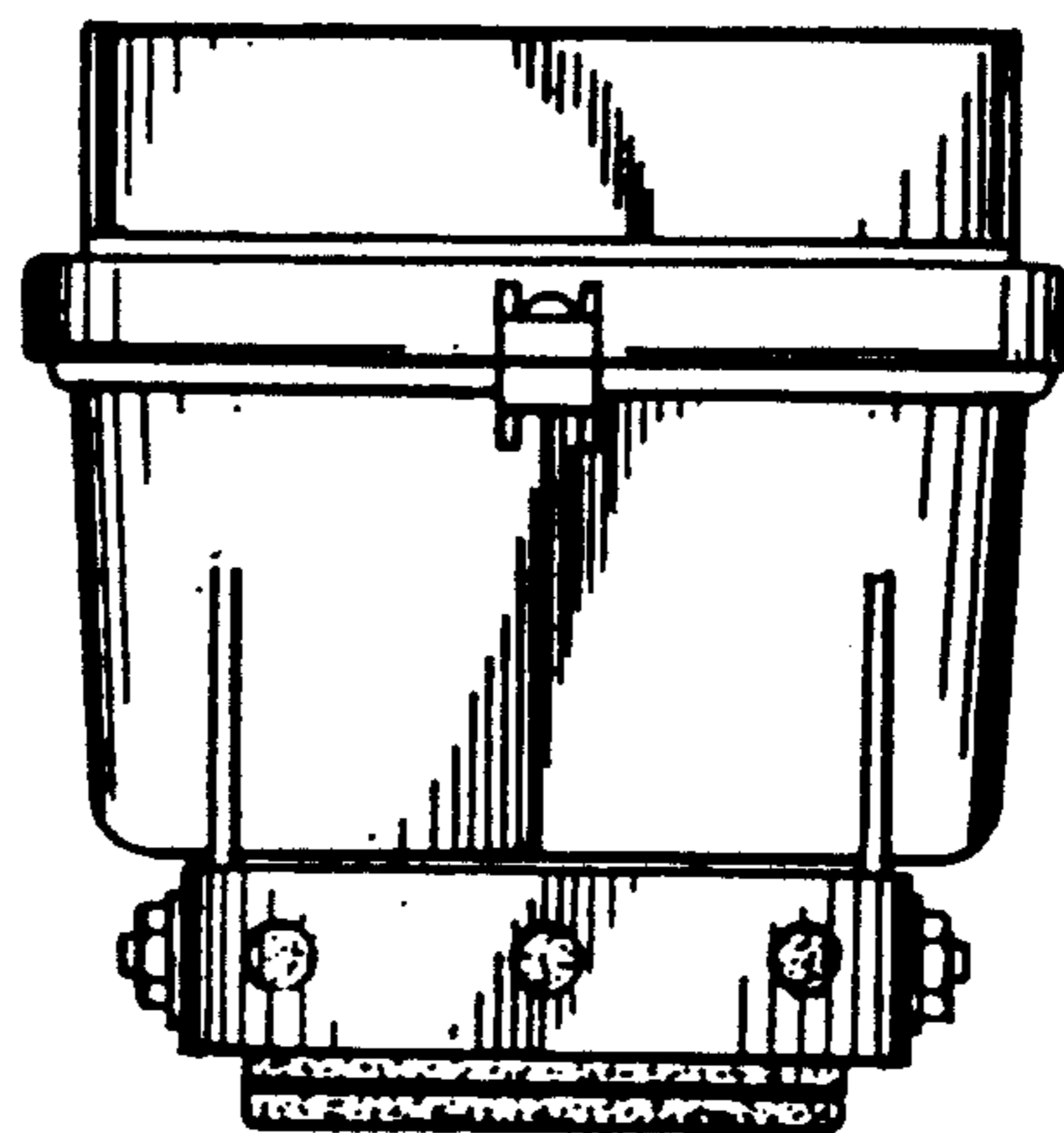


FIG. 6

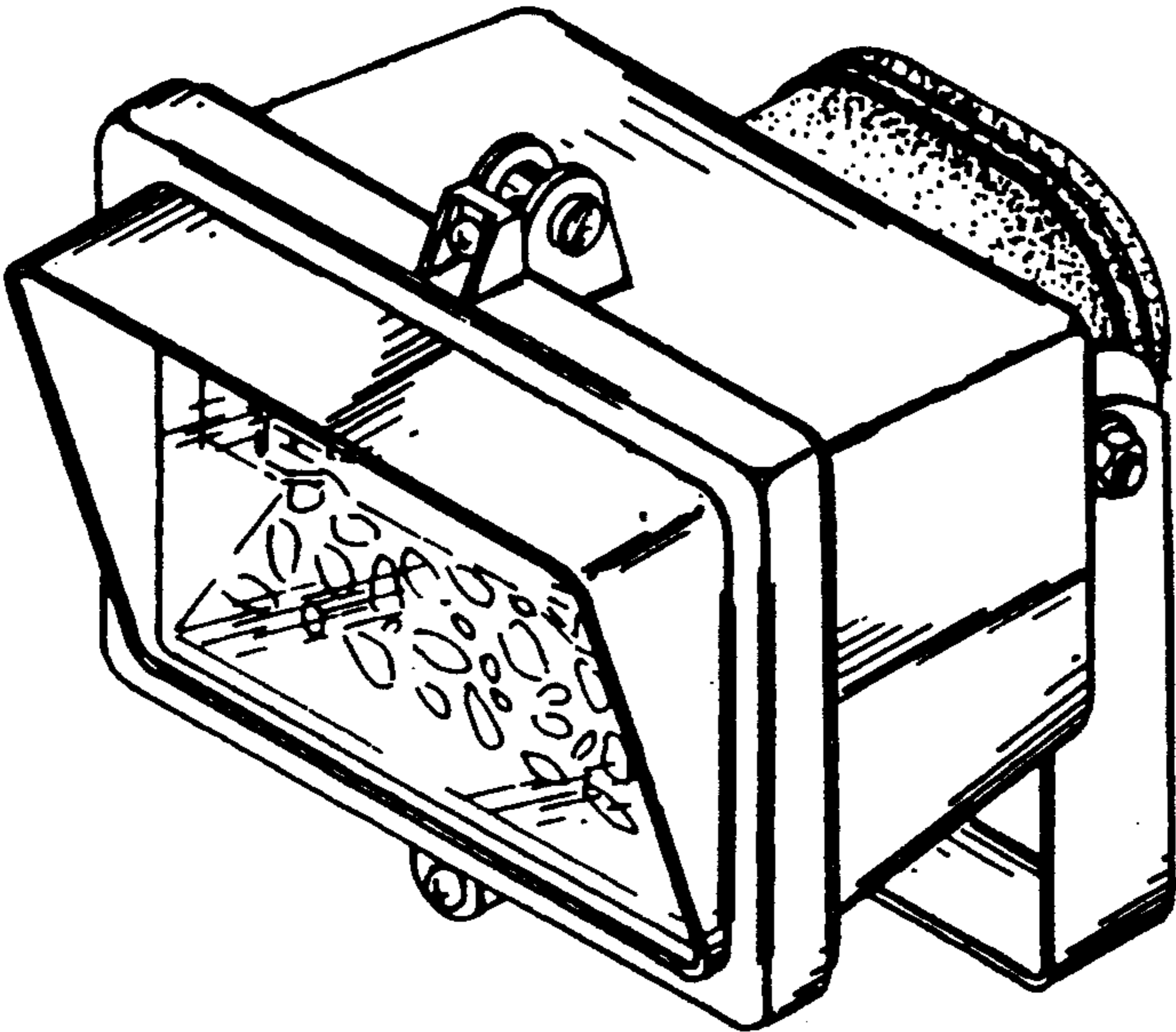


FIG . 7