



US00D345022S

United States Patent [19]

[11] Patent Number: Des. 345,022

Hamasaki

[45] Date of Patent: ** Mar. 8, 1994

[54] BATTERY-POWERED SAFETY LIGHT FOR BICYCLE AND JOGGER

5,029,055 7/1991 Lindh 362/72 X

[75] Inventor: Norman Hamasaki, Costa Mesa, Calif.

OTHER PUBLICATIONS

Brochure of product 1991, Safety Light.

[73] Assignee: SSB Design, Inc., Irvine, Calif.

Primary Examiner—Susan J. Lucas

Attorney, Agent, or Firm—Price, Gess & Ubell

[**] Term: 14 Years

[57] CLAIM

[21] Appl. No.: 864,080

The ornamental design for battery-powered safety light for bicycle and jogger, as shown and described.

[22] Filed: Apr. 6, 1992

DESCRIPTION

[52] U.S. Cl. D26/28; D26/39

[58] Field of Search 362/157; 158, 183-202, 362/154, 155, 103, 108, 72; D26/37-50, 28

FIG. 1 is a plan view of the battery-powered safety light for bicycle and jogger showing the new design;

FIG. 2 is a front vertical elevational view thereof;

FIG. 3 is a rear elevational view thereof;

FIG. 4 is a bottom plan view thereof;

FIG. 5 is a left side elevational view thereof; and,

FIG. 6 is a right side elevational view thereof.

[56] References Cited

U.S. PATENT DOCUMENTS

D. 336,530 6/1993 Choi et al. D26/28
4,332,007 5/1982 Gibstein et al. 362/200

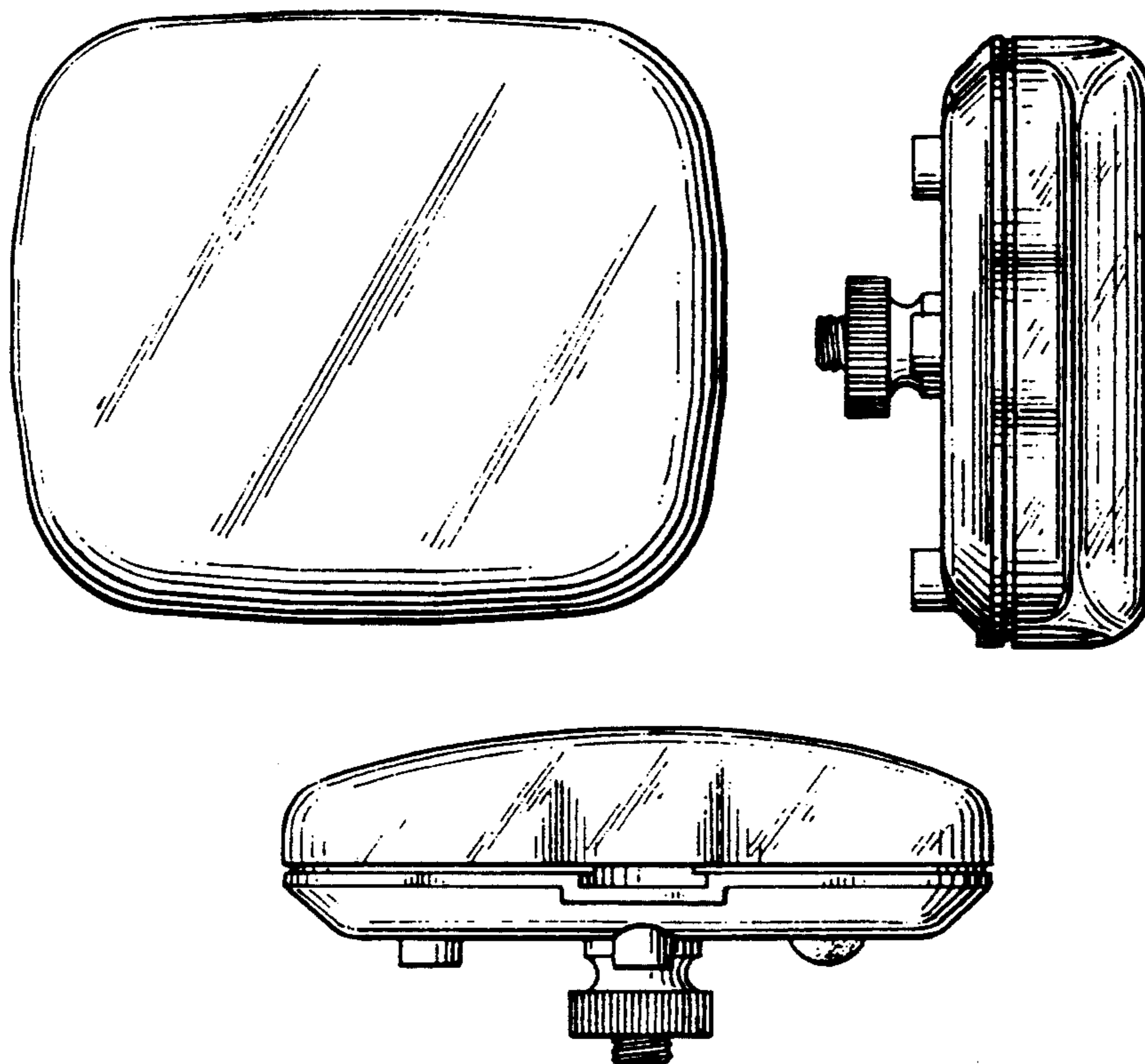


FIG. 1

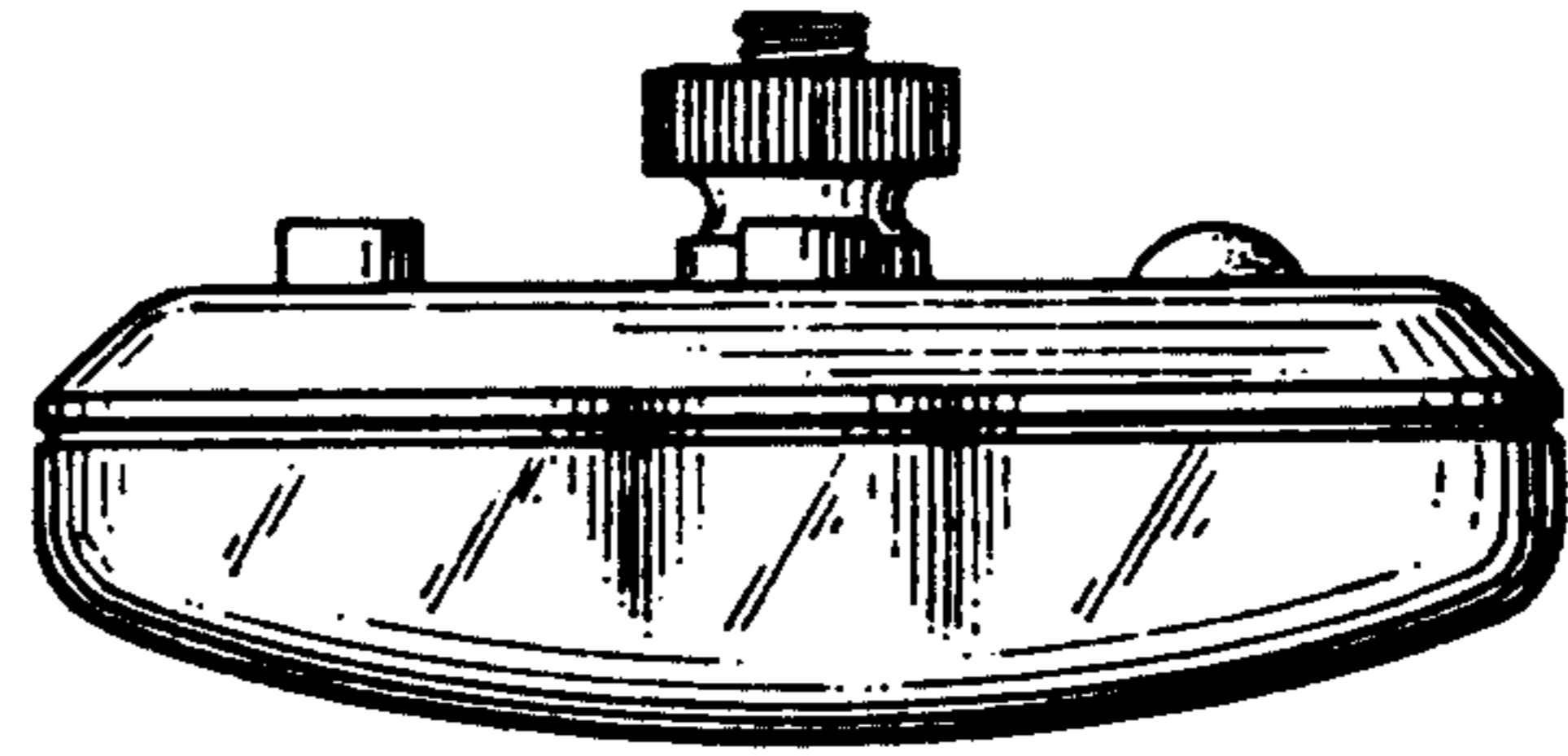


FIG. 2

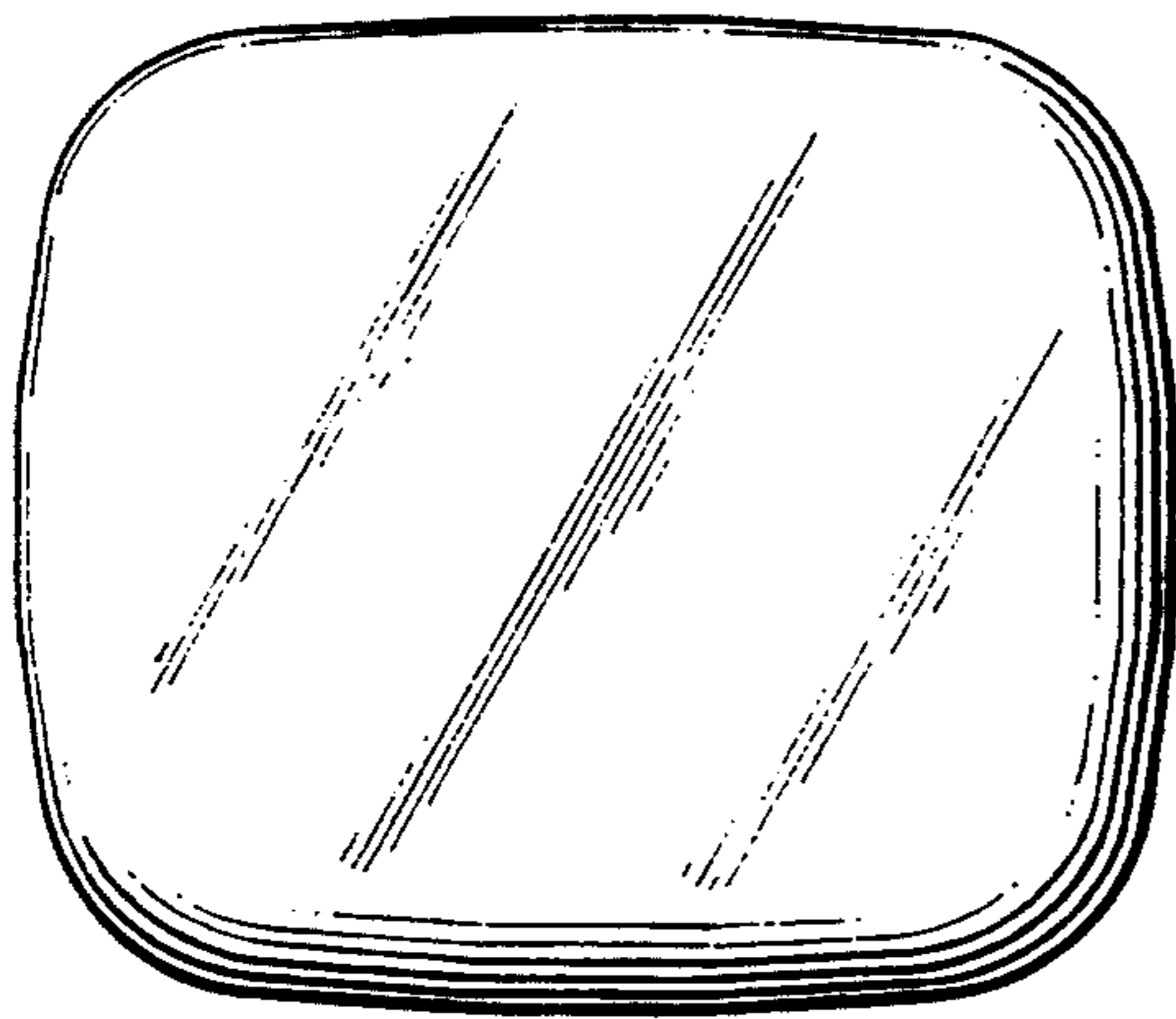


FIG. 3

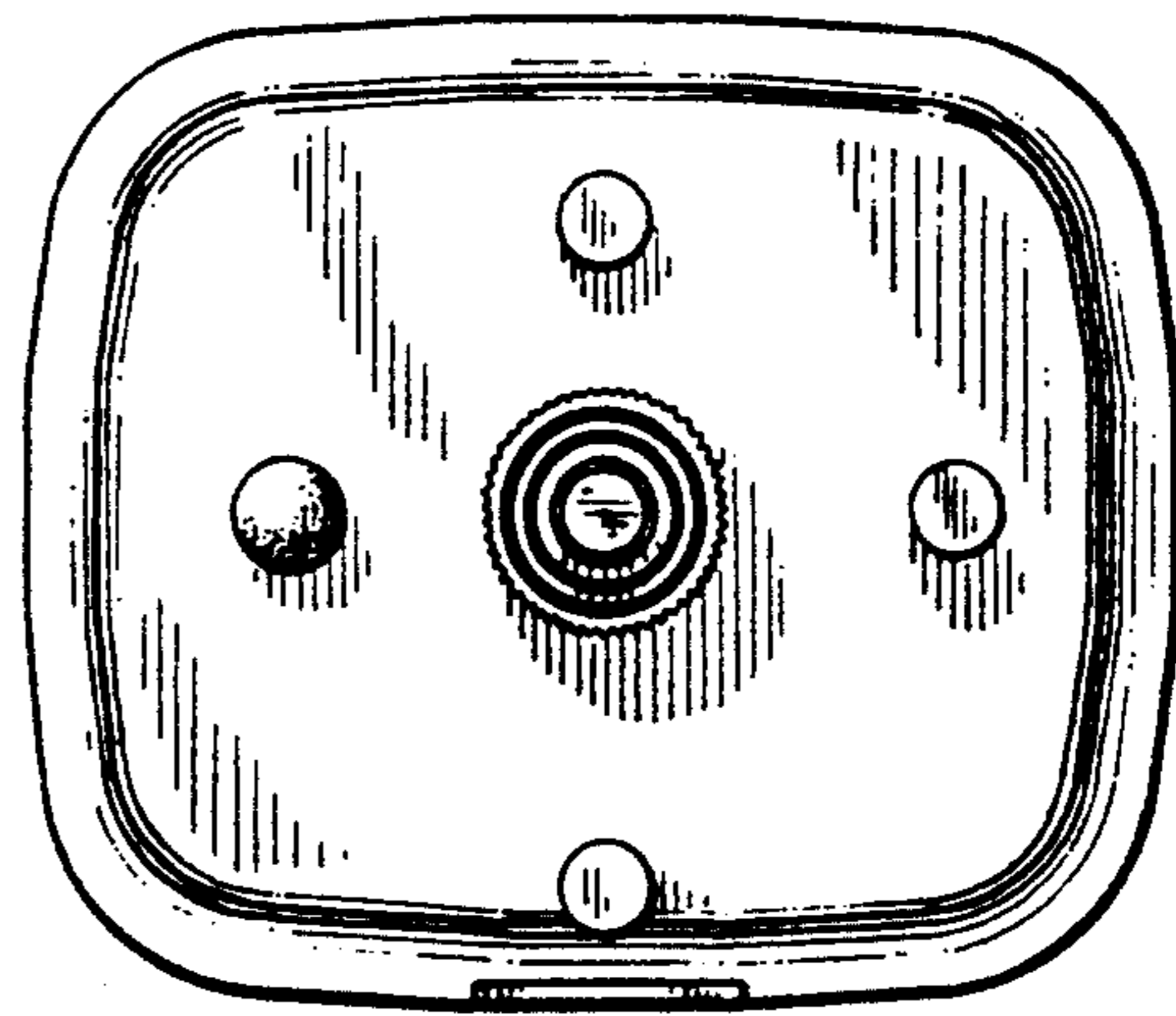


FIG. 4

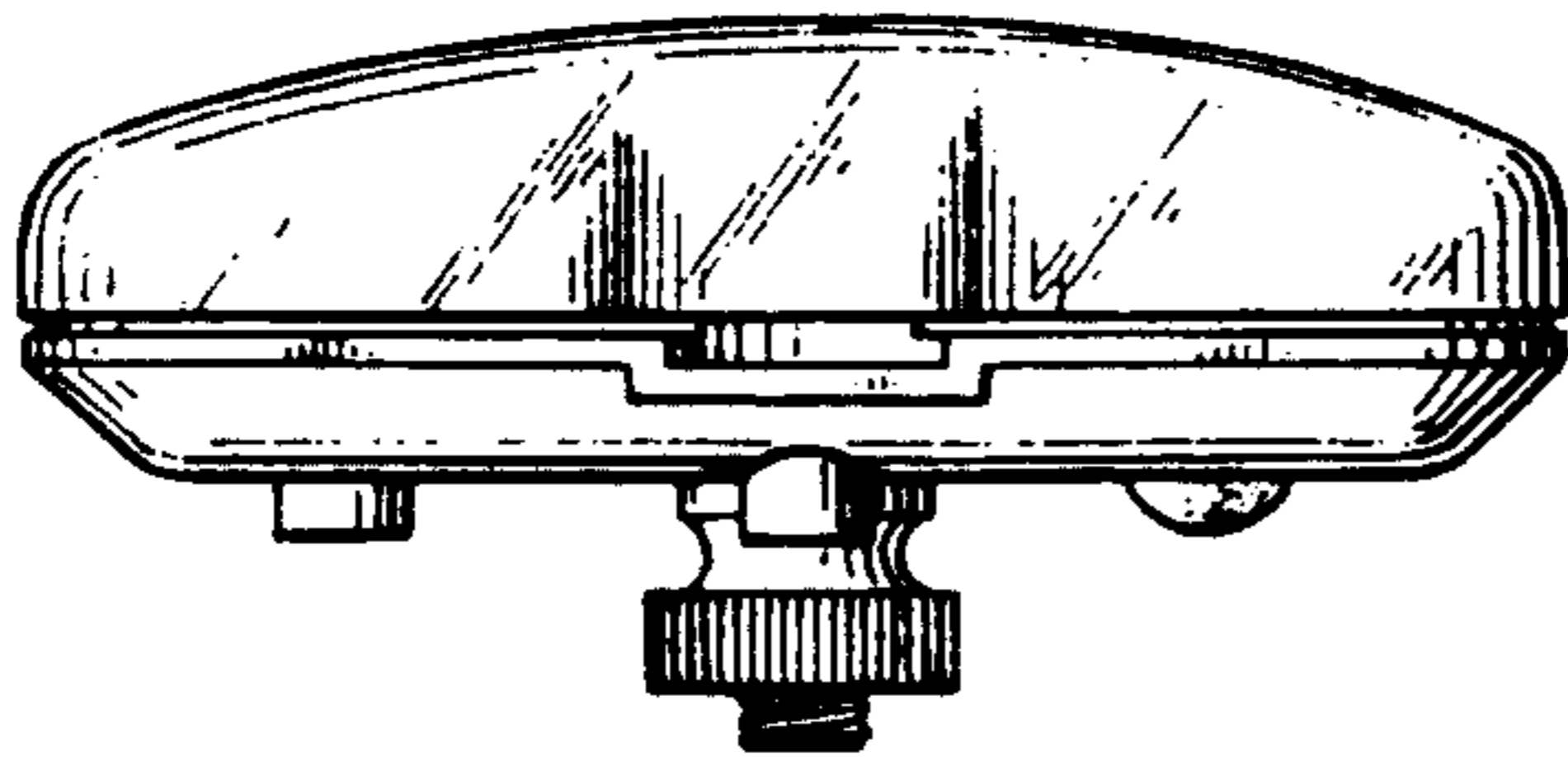


FIG. 5

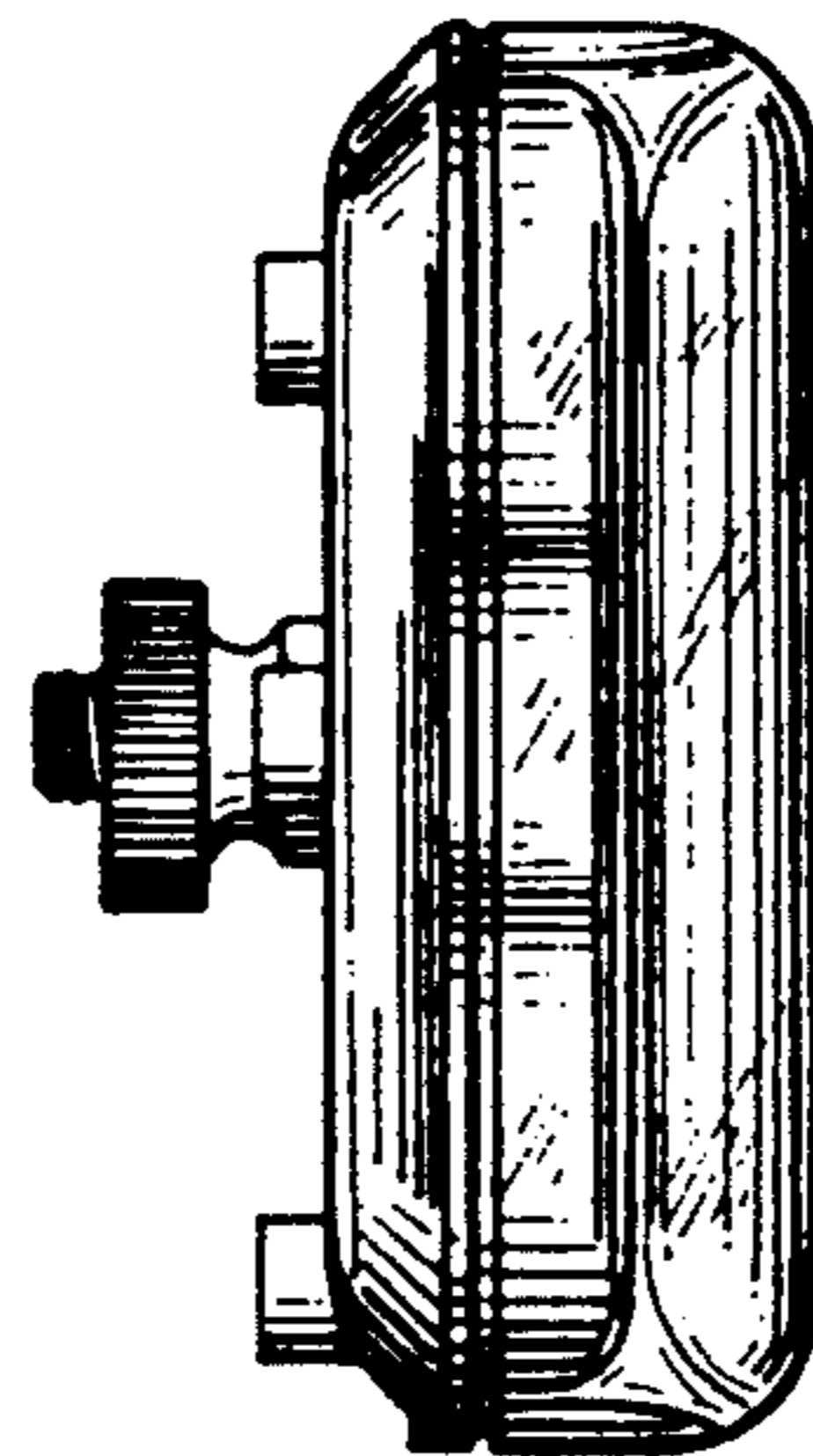


FIG. 6

