



US00D345020S

United States Patent [19]

[11] Patent Number: **Des. 345,020**

Audia

[45] Date of Patent: **** Mar. 8, 1994**

[54] DECORATIVE MOLDING

[76] Inventor: **Salvatore Audia**, 16627 Millar,
Clinton Township, Mount Clemens
County, Mich. 48026

[**] Term: **14 Years**

[21] Appl. No.: **886,743**

[22] Filed: **May 21, 1992**

[52] U.S. Cl. **D25/136**

[58] Field of Search 52/287, 312, 313, 316,
52/516, 717.1-718.1, 242-244, 254-255,
273-275; D25/136, 119

4,648,225 3/1987 Waddell D25/119
4,702,054 10/1987 Turner 52/311
4,716,705 1/1988 Formanek et al. 52/785
4,756,350 7/1988 Turner 144/346
4,896,471 1/1990 Turner 52/455
5,095,675 3/1992 Audia 52/455

Primary Examiner—A. Hugo Word
Assistant Examiner—Doris Clark
Attorney, Agent, or Firm—Basile and Hanlon

[57] CLAIM

The ornamental design for a decorative molding, as shown and described.

[56] References Cited

U.S. PATENT DOCUMENTS

D. 305,461 1/1990 Pike D25/136
D. 320,090 9/1991 Ermellini D25/136
866,479 9/1907 Kiesel, Jr. 52/312
1,927,882 9/1933 Willnus 52/312
1,988,236 1/1935 Chatfield 52/312
3,047,112 7/1962 Tvorik et al. 52/254
4,008,551 2/1977 MacDonald et al. 52/316
4,083,160 4/1978 MacDonald et al. 52/316
4,097,100 6/1978 Sauder 312/257 A
4,518,446 5/1985 Drennan 156/63

DESCRIPTION

FIG. 1 is a top plan view of a decorative molding showing my new design shown broken away to indicate indeterminate length with the pattern being continuous throughout its length;

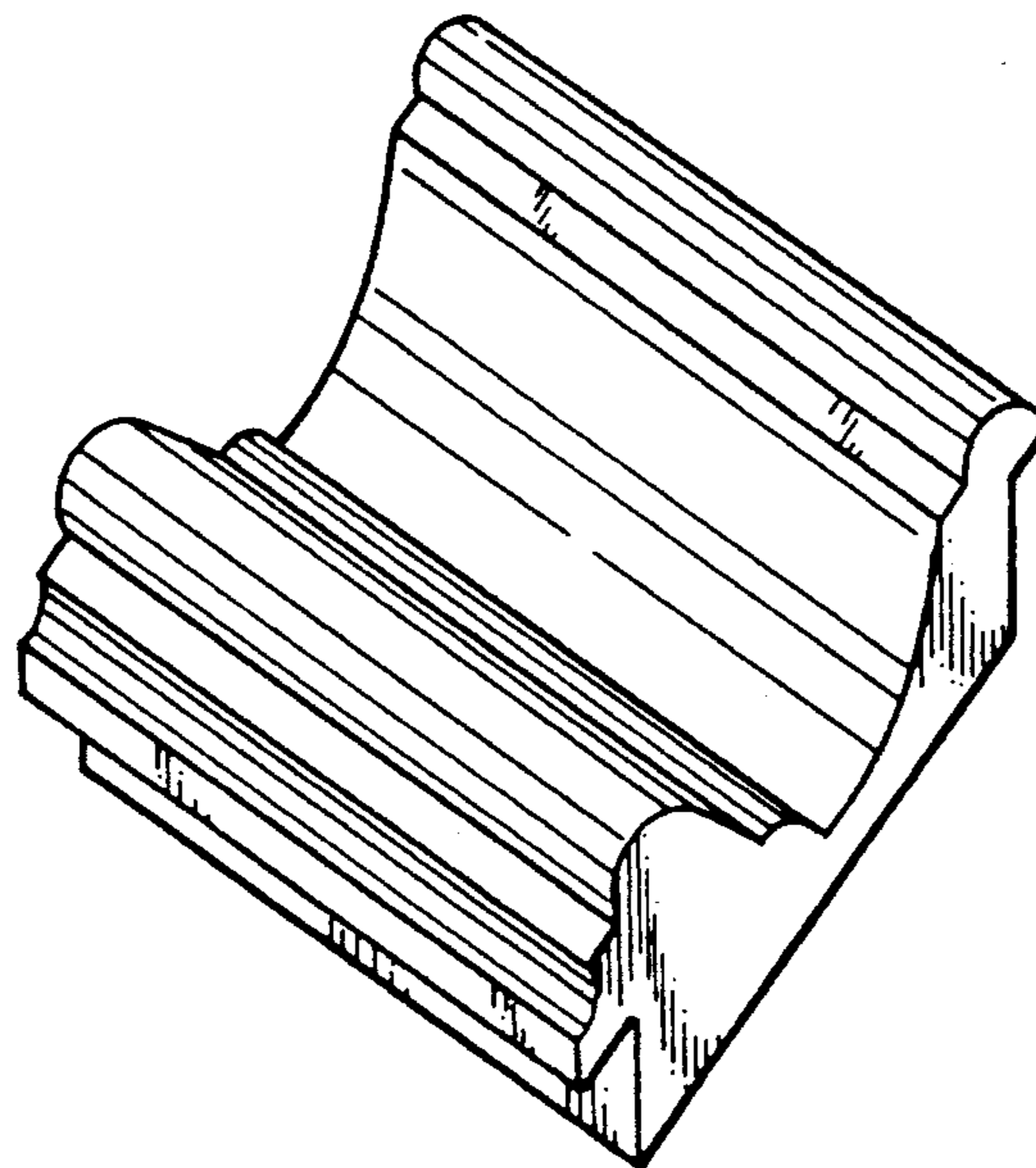
FIG. 2 is a bottom plan view thereof;

FIG. 3 is a left side elevational view thereof;

FIG. 4 is a right side elevational view thereof;

FIG. 5 is a front elevational view thereof, the back being a mirror image thereof; and,

FIG. 6 is a fragmentary, top, front, left side perspective view thereof.



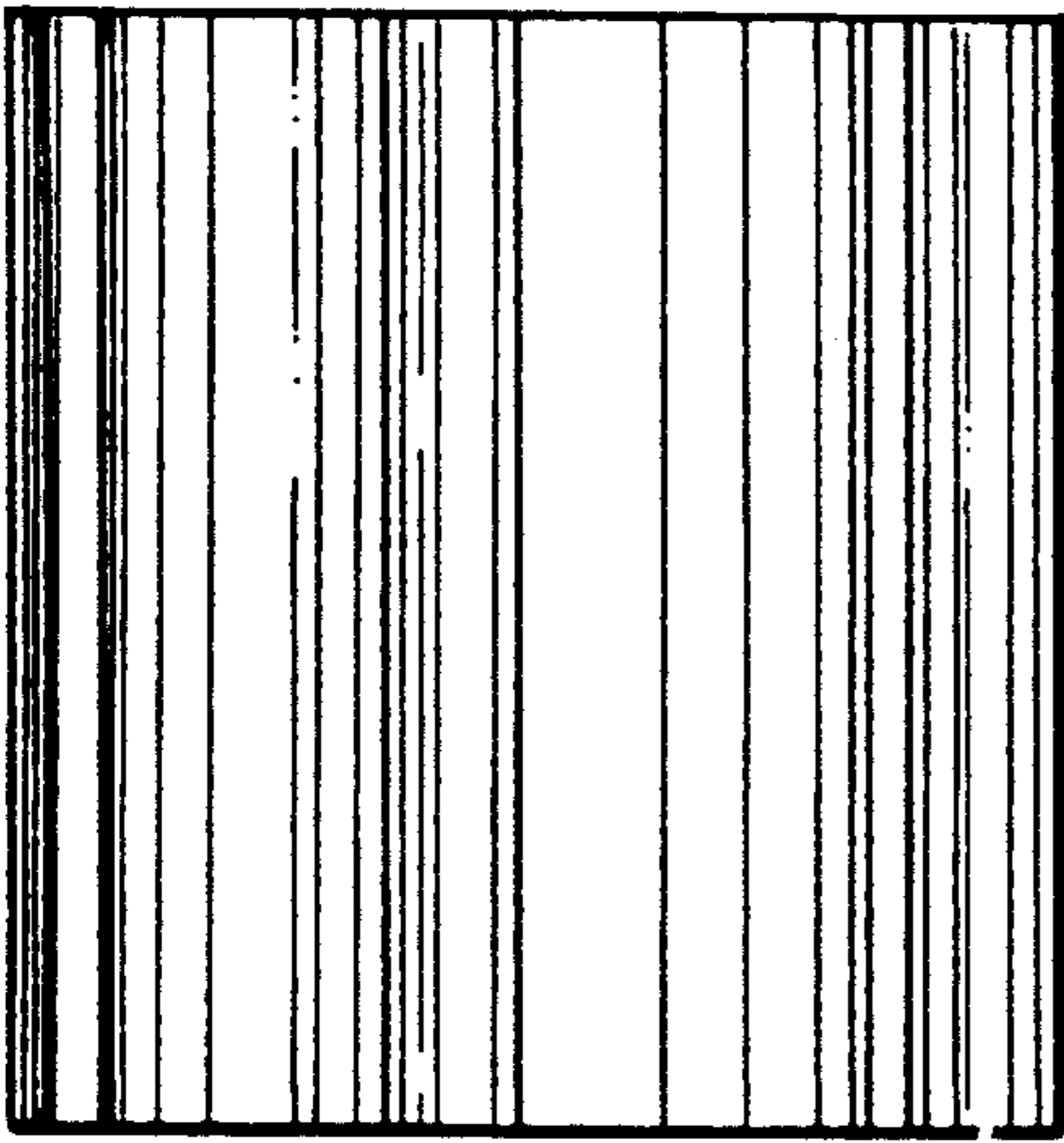


FIG -1

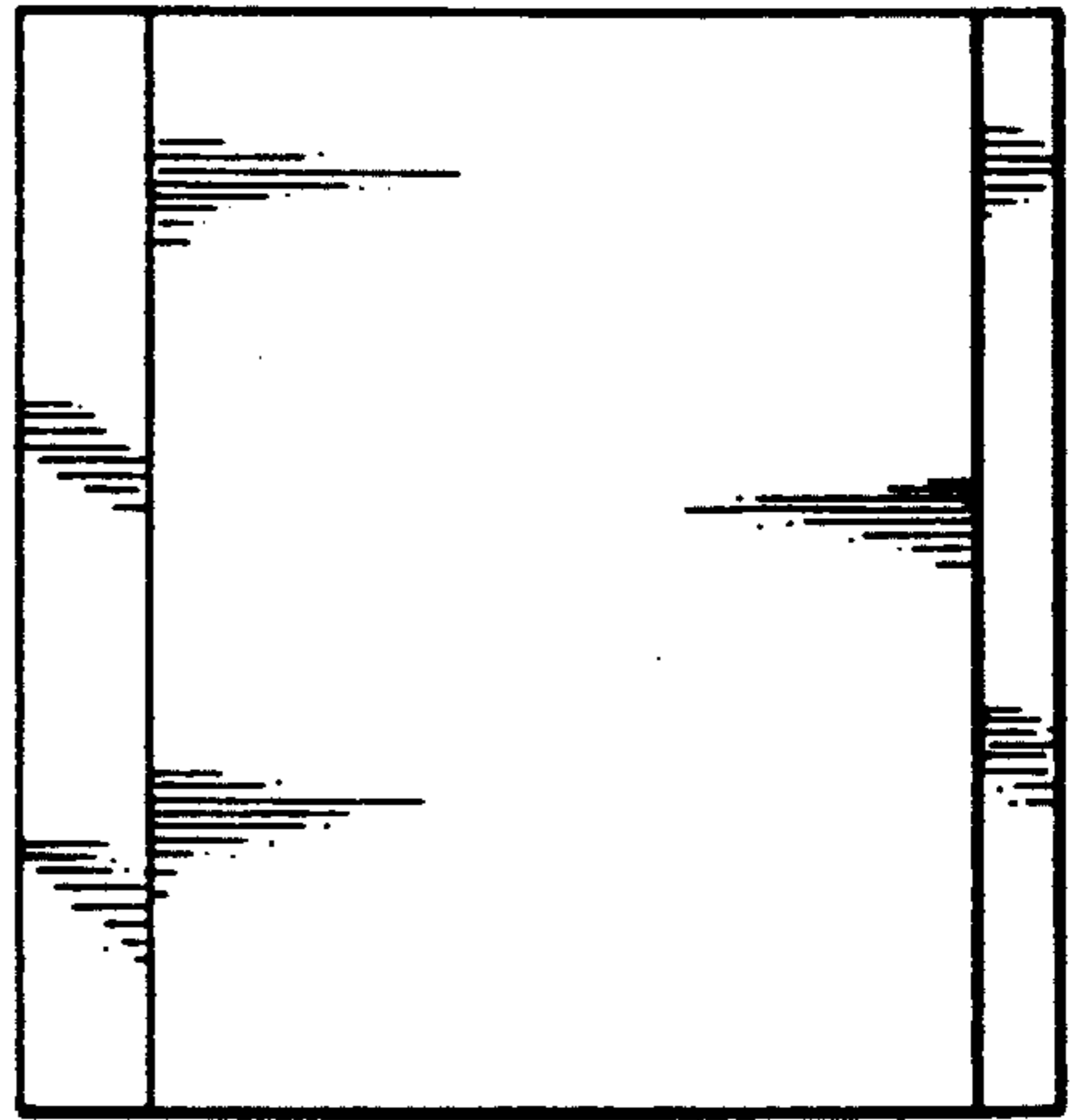


FIG -2



FIG -3

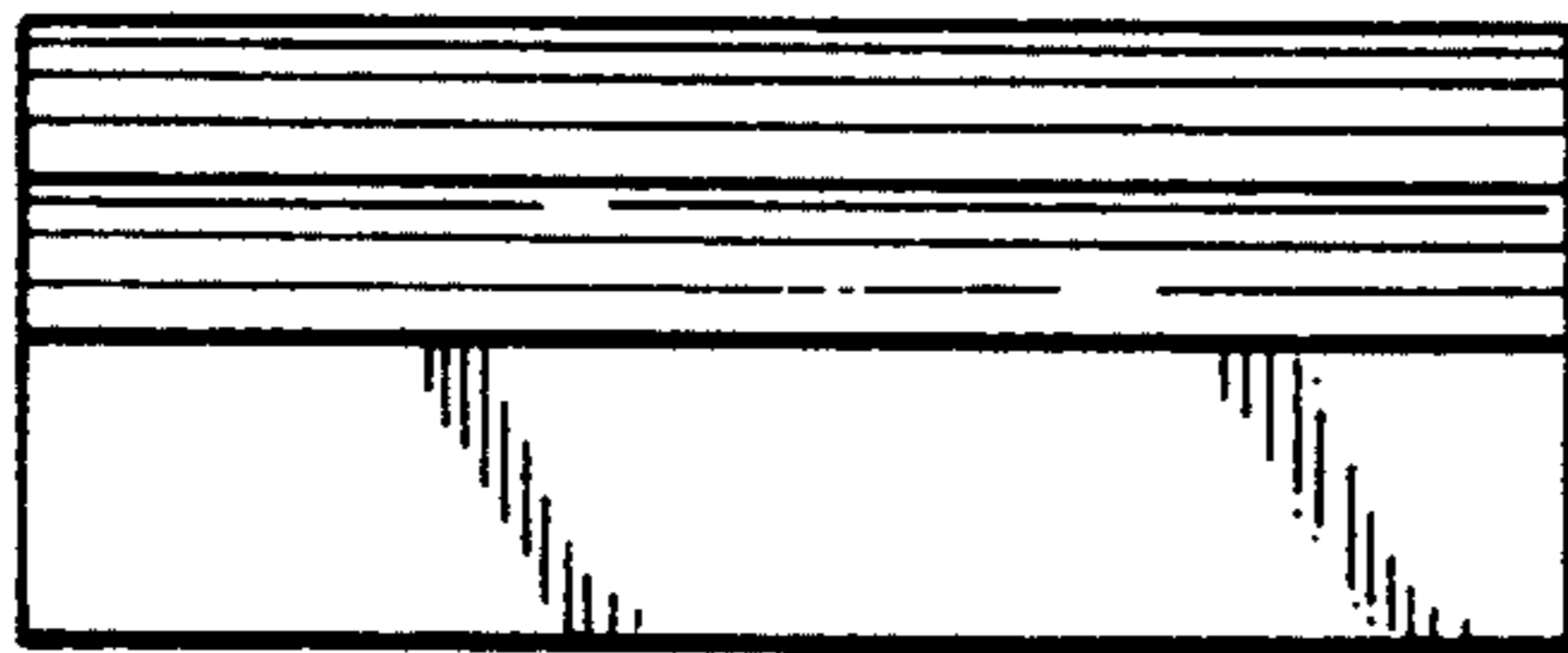


FIG -4



FIG -5

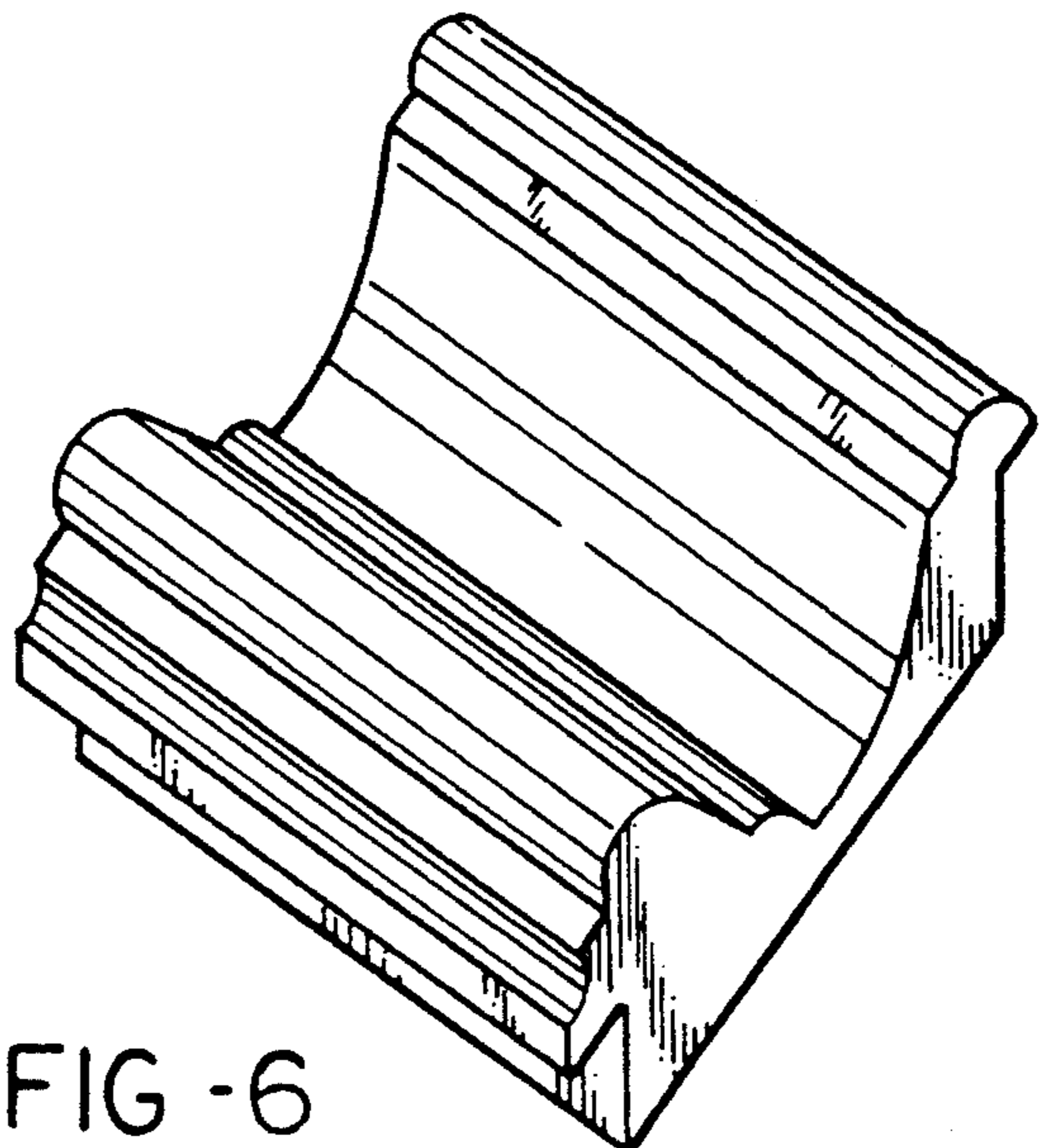


FIG -6