



US00D345019S

# United States Patent [19]

[11] Patent Number: **Des. 345,019**

Cole

[45] Date of Patent: **\*\* Mar. 8, 1994**

[54] WINDOW COMPONENT EXTRUSION

[56] References Cited

[75] Inventor: **Douglas L. Cole, Seattle, Wash.**

### U.S. PATENT DOCUMENTS

[73] Assignee: **Mikron Industries, Kent, Wash.**

D. 301,068	5/1989	Dallaire et al. ....	D25/124
D. 311,961	11/1990	Westphal et al. ....	D25/124
4,739,600	4/1988	Lynch et al. ....	49/504

[\*] Notice: The portion of the term of this patent subsequent to Jan. 18, 2008 has been disclaimed.

*Primary Examiner*—A. Hugo Word  
*Assistant Examiner*—Doris Clark  
*Attorney, Agent, or Firm*—Seed and Berry

[\*\*] Term: **14 Years**

[57] CLAIM

[21] Appl. No.: **672,629**

The ornamental design for a window component extrusion, as shown and described.

[22] Filed: **Mar. 20, 1991**

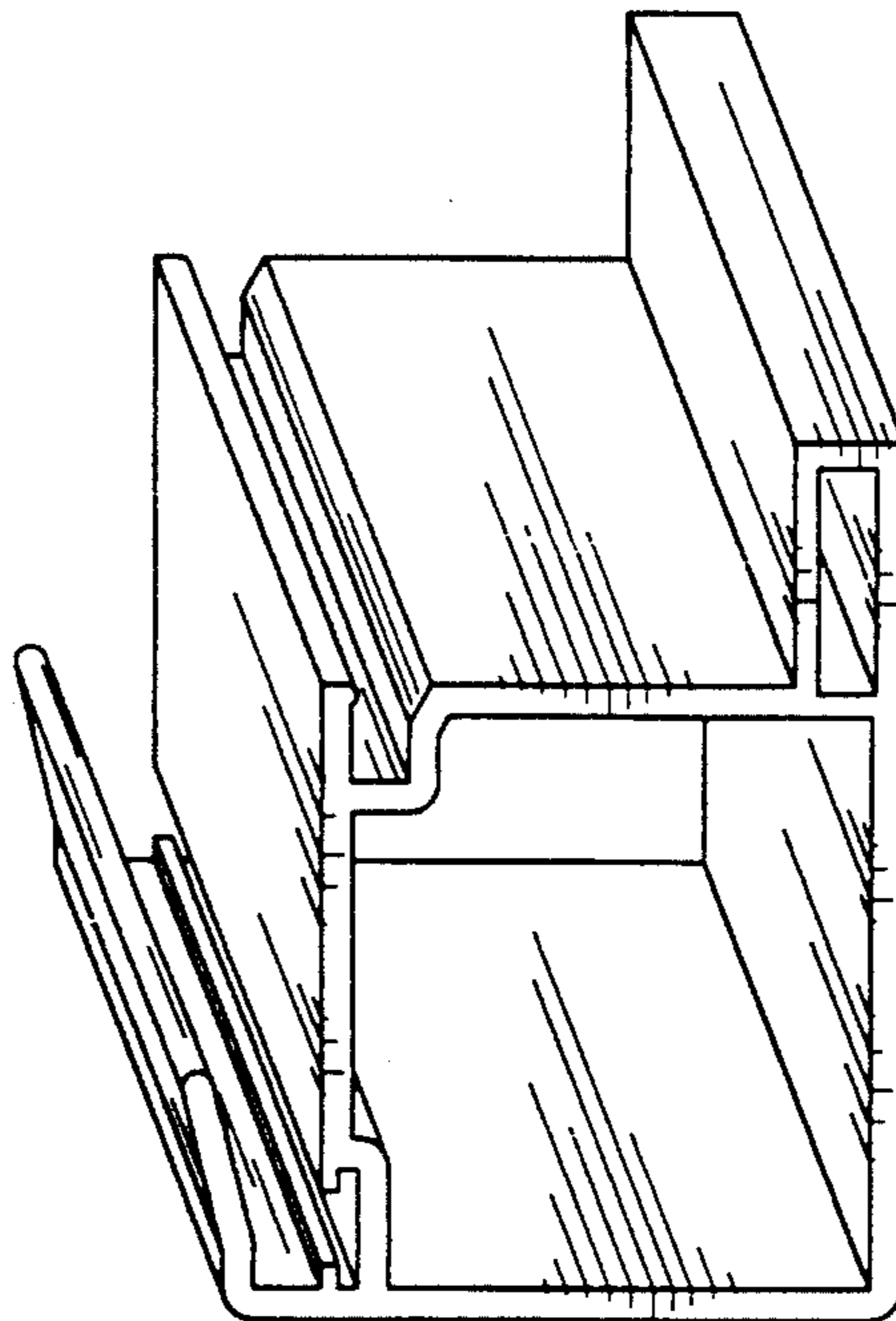
### DESCRIPTION

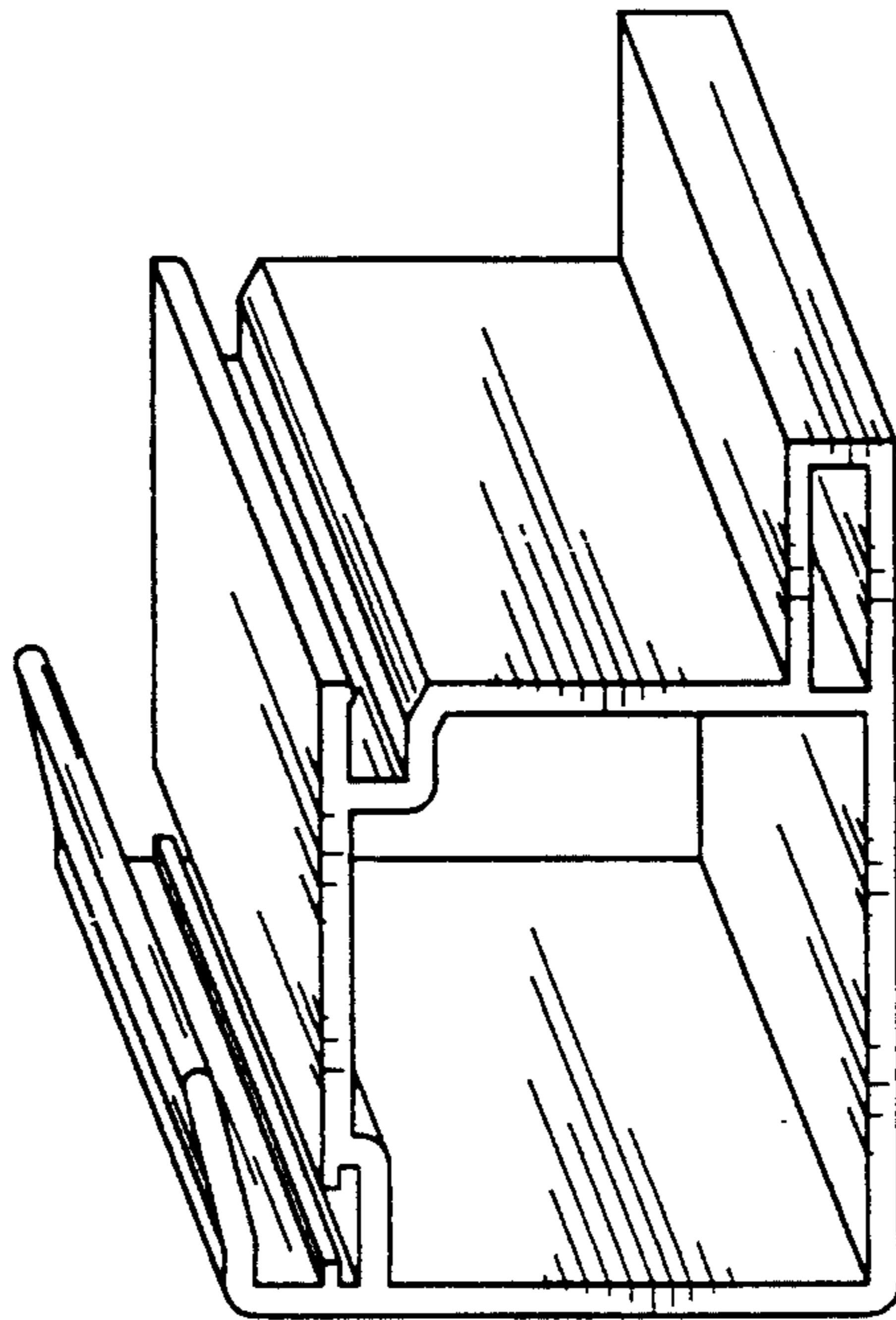
[52] U.S. Cl. .... **D25/124**

FIG. 1 is a top, right, perspective view of a window component extrusion showing my new design, the window component extrusion being of indefinite length; and,

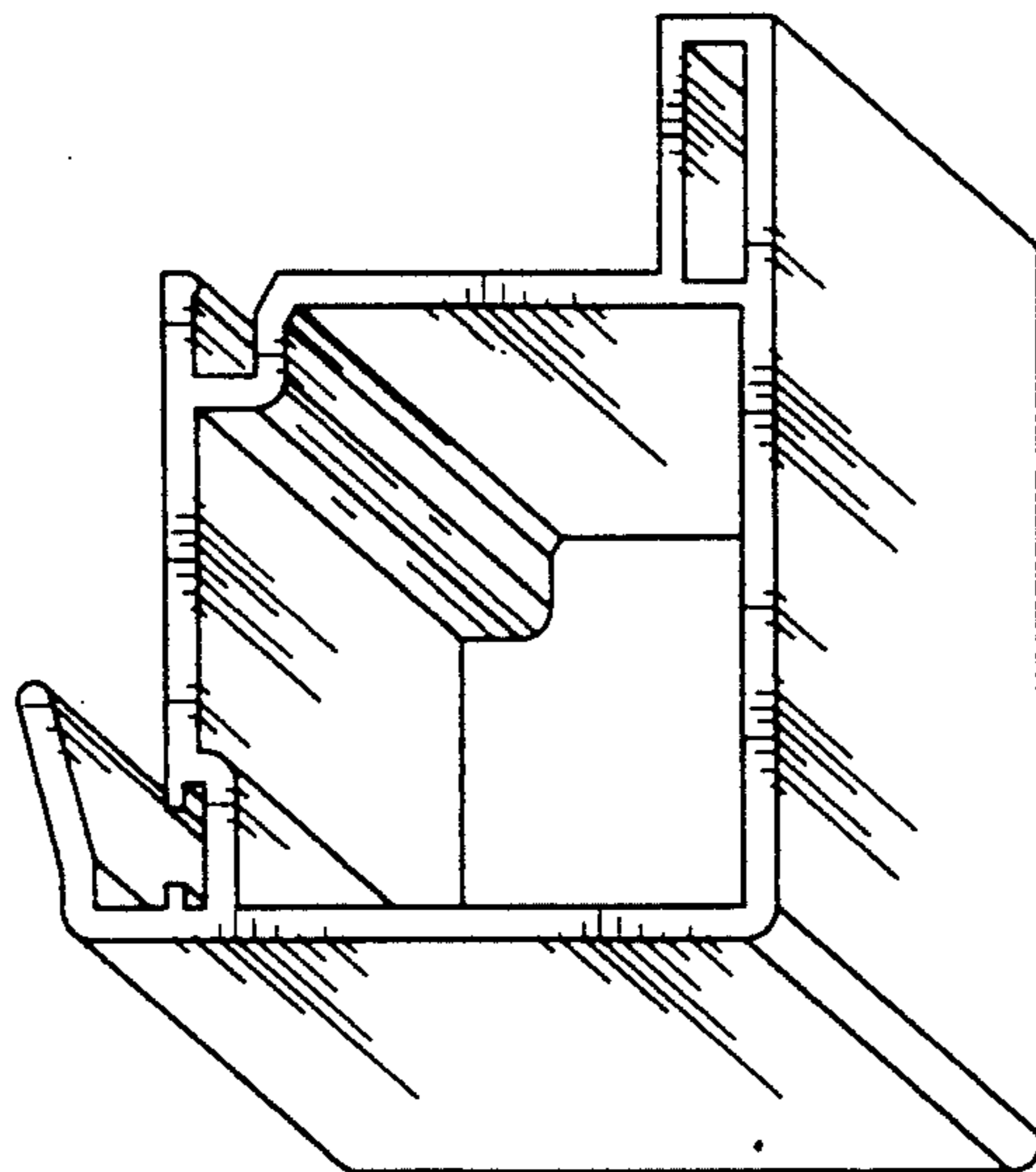
[58] Field of Search ..... 49/75, 501, 504, 404, 49/413, 419, DIG. 2; 52/202, 731, 735; D25/119-125, 52

FIG. 2 is a bottom, left, perspective view therefor.





*FIG. 1*



*FIG. 2*