



US00D345017S

United States Patent [19]

[11] Patent Number: **Des. 345,017**

Fischer et al.

[45] Date of Patent: **** Mar. 8, 1994**

[54] **RESHEATHED NEEDLE HOLDER FOR USE ON AN INTRAVENOUS POLE**

2,539,600 1/1951 Waits 211/74
4,921,199 5/1990 Villaveces D24/128 X
5,114,023 5/1992 Lavin D24/128 X

[76] Inventors: **Robert J. Fischer; Patricia A. Fischer,**
both of 60 Cook La., Marlboro,
Mass. 01752

Primary Examiner—A. Hugo Word
Assistant Examiner—I. Simmons
Attorney, Agent, or Firm—John P. McGonagle

[**] Term: **14 Years**

[57] **CLAIM**

[21] Appl. No.: **875,135**

The ornamental design for a resheathed needle holder for use on an intravenous pole, as shown and described.

[22] Filed: **Apr. 29, 1992**

[52] U.S. Cl. **D24/130; D24/128**

DESCRIPTION

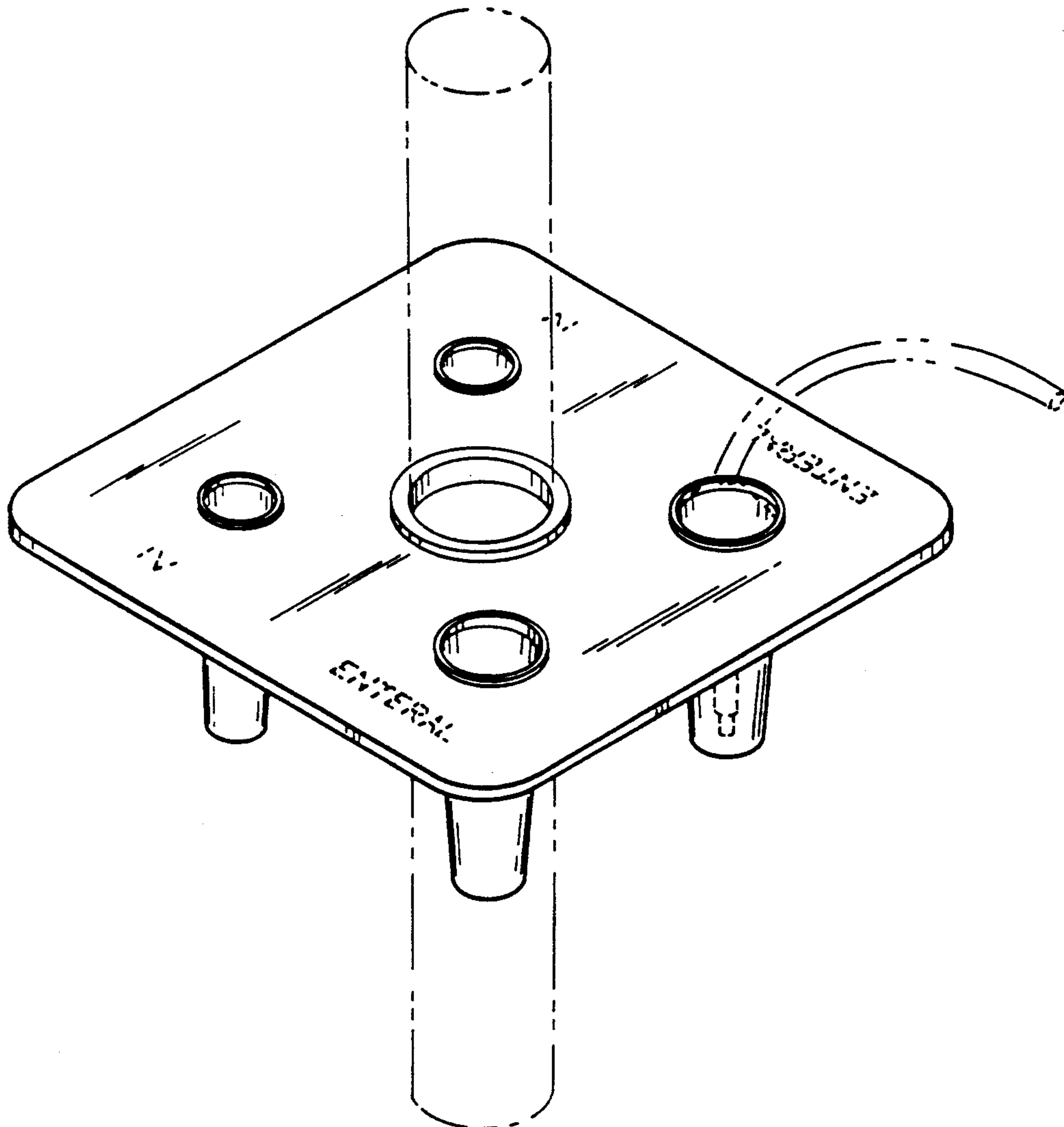
[58] Field of Search 604/263, 250, 192, 198,
604/199; 248/314; 211/73, 72, 74; D24/128,
130

FIG. 1 is a perspective view of a resheathed needle holder for use on an intravenous pole showing our new design, the broken lines showing of the I.V. pole, I.V. tube and needle and labeling is for illustrative purposes only and forms no part of the claimed design; FIG. 2 is a top plan view thereof; FIG. 3 is a side elevational view thereof; and, FIG. 4 is a bottom plan view thereof.

[56] **References Cited**

U.S. PATENT DOCUMENTS

D. 298,355 11/1988 Young D24/128
D. 324,569 3/1992 Seifert et al. D24/130



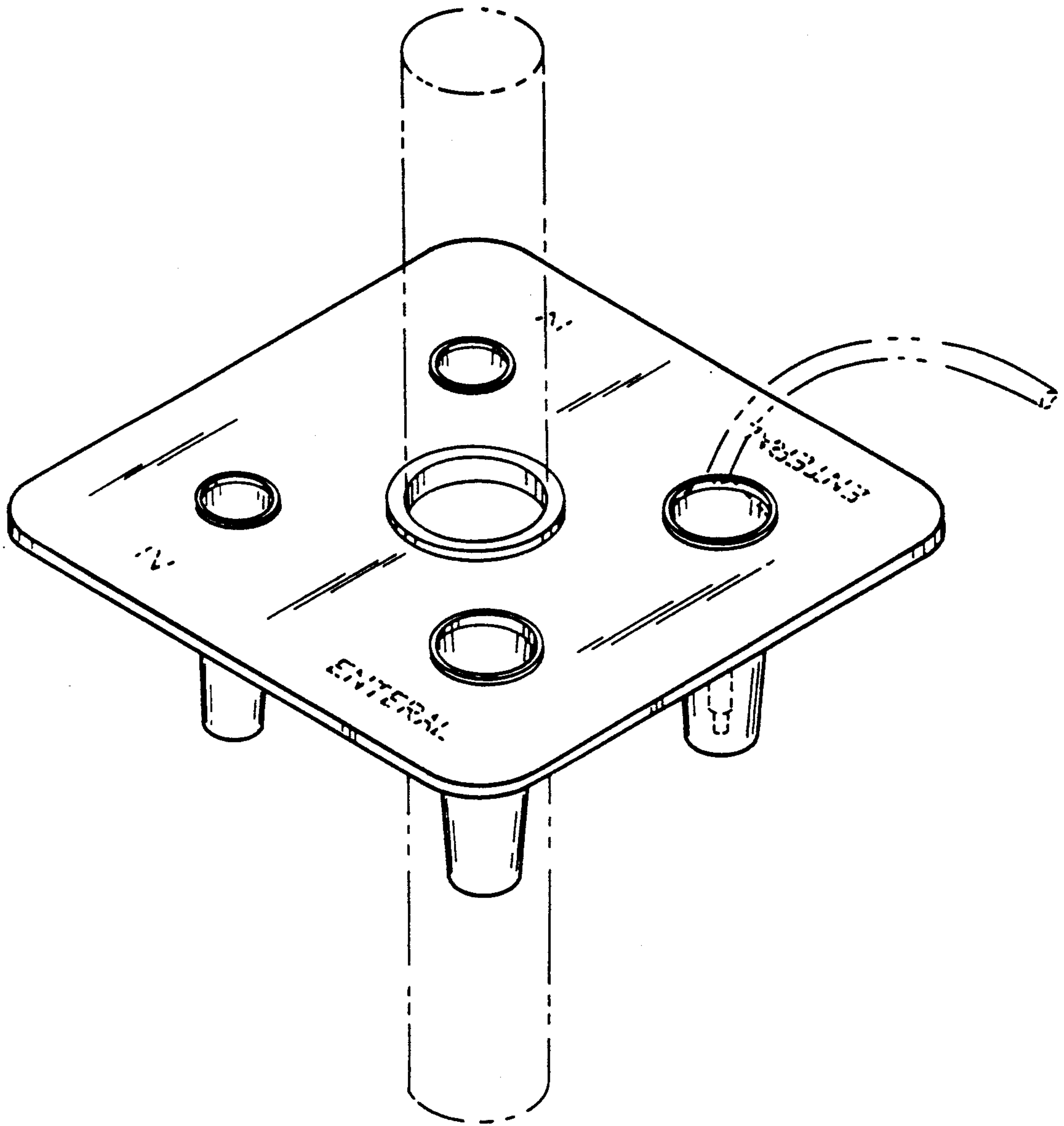


FIG. 1

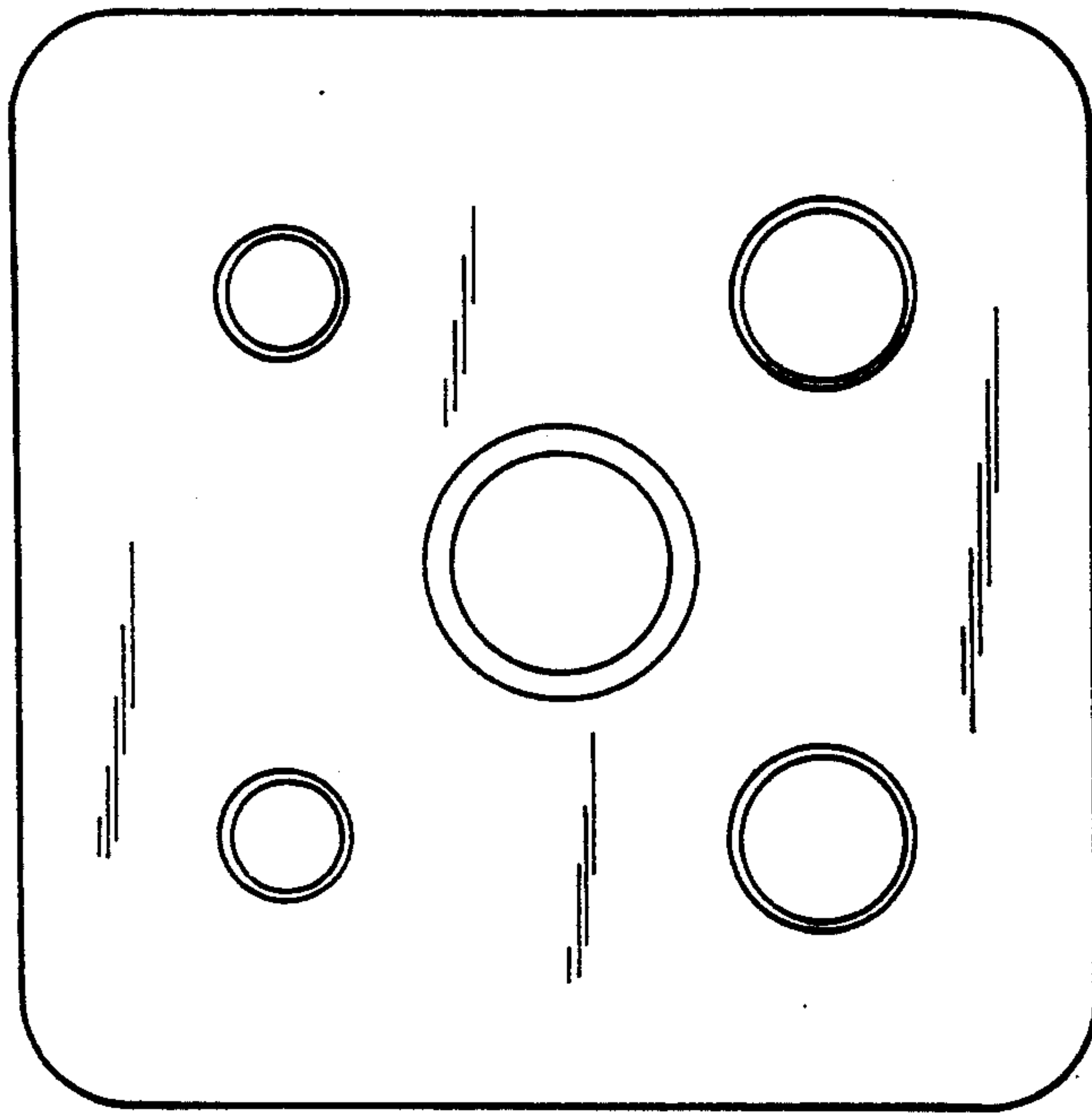


FIG. 2

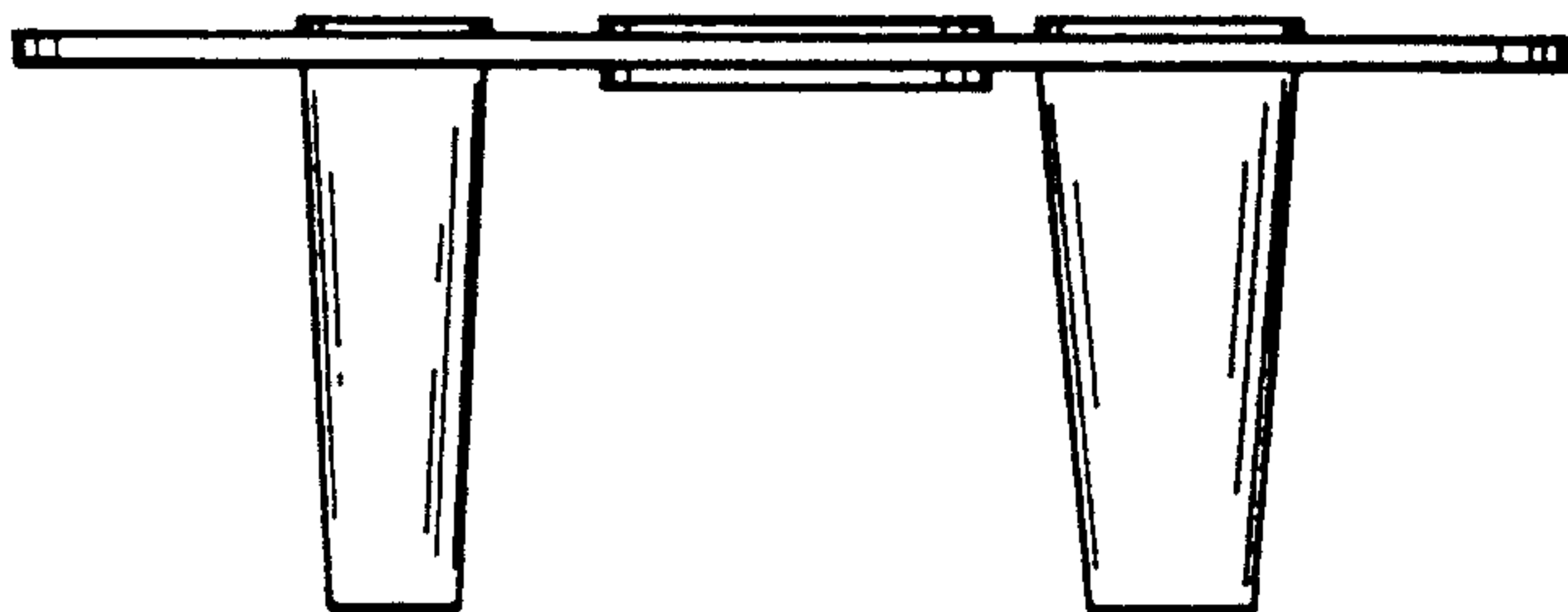


FIG. 3

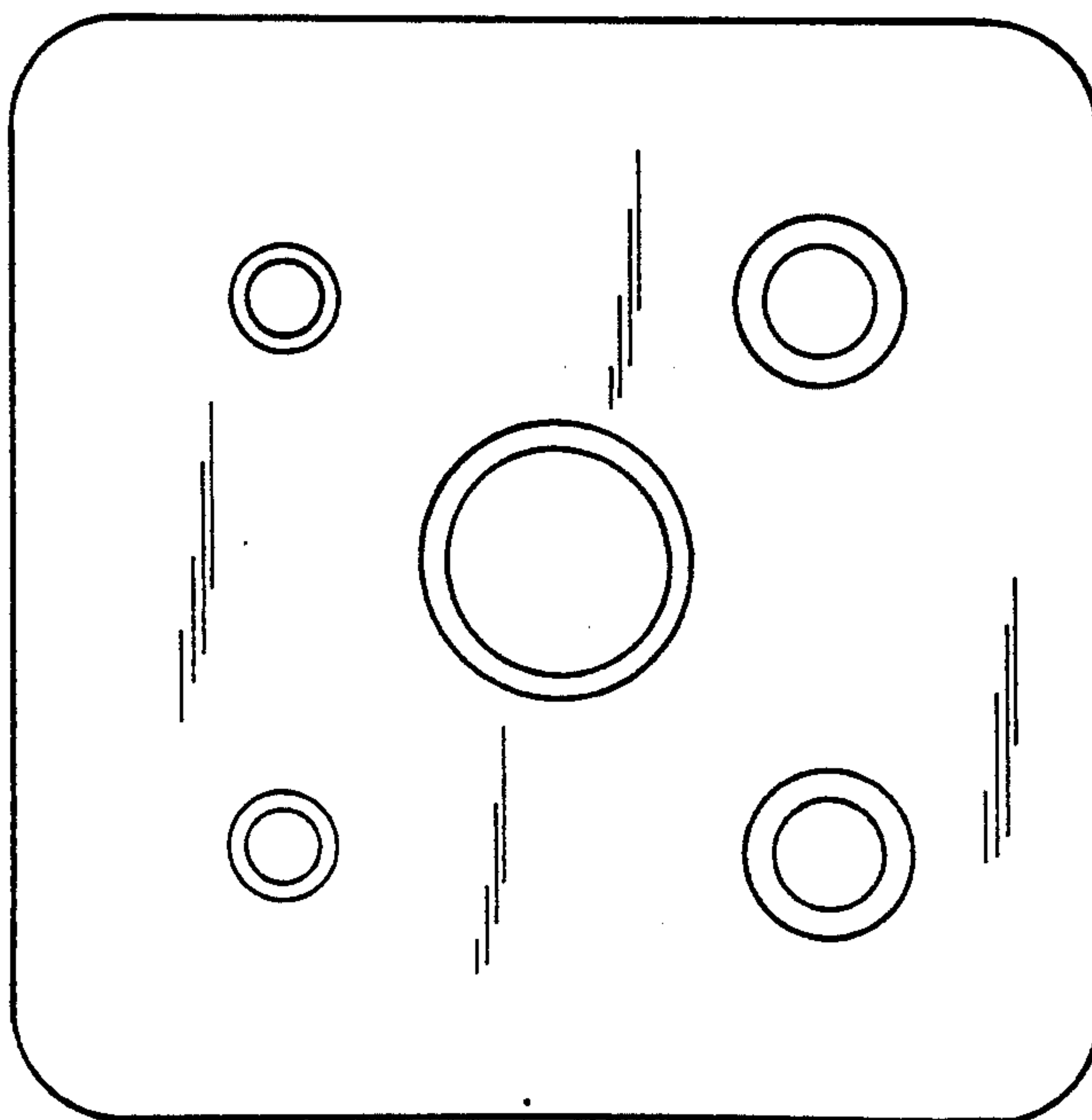


FIG. 4