



US00D345012S

United States Patent [19]
Patel

[11] **Patent Number: Des. 345,012**

[45] **Date of Patent: ** Mar. 8, 1994**

[54] **FIREPLACE SCREEN UNIT**

[76] **Inventor: Amit V. Patel, Stone Mfg. Co. 1636 W. 135th St., Gardena, Calif. 90249**

[**] **Term: 14 Years**

[21] **Appl. No.: 951,414**

[22] **Filed: Sep. 25, 1992**

[52] **U.S. Cl. D23/406**

[58] **Field of Search 126/547, 544; D23/405, D23/406**

[56] **References Cited**

U.S. PATENT DOCUMENTS

- D. 285,336 8/1986 Demrick et al. D23/406
- D. 290,392 6/1987 Coscione et al. D23/406

OTHER PUBLICATIONS

Custom Firescreen Inc. Adv. Flyer, Screens A,B,C.

Primary Examiner—Wallace R. Burke

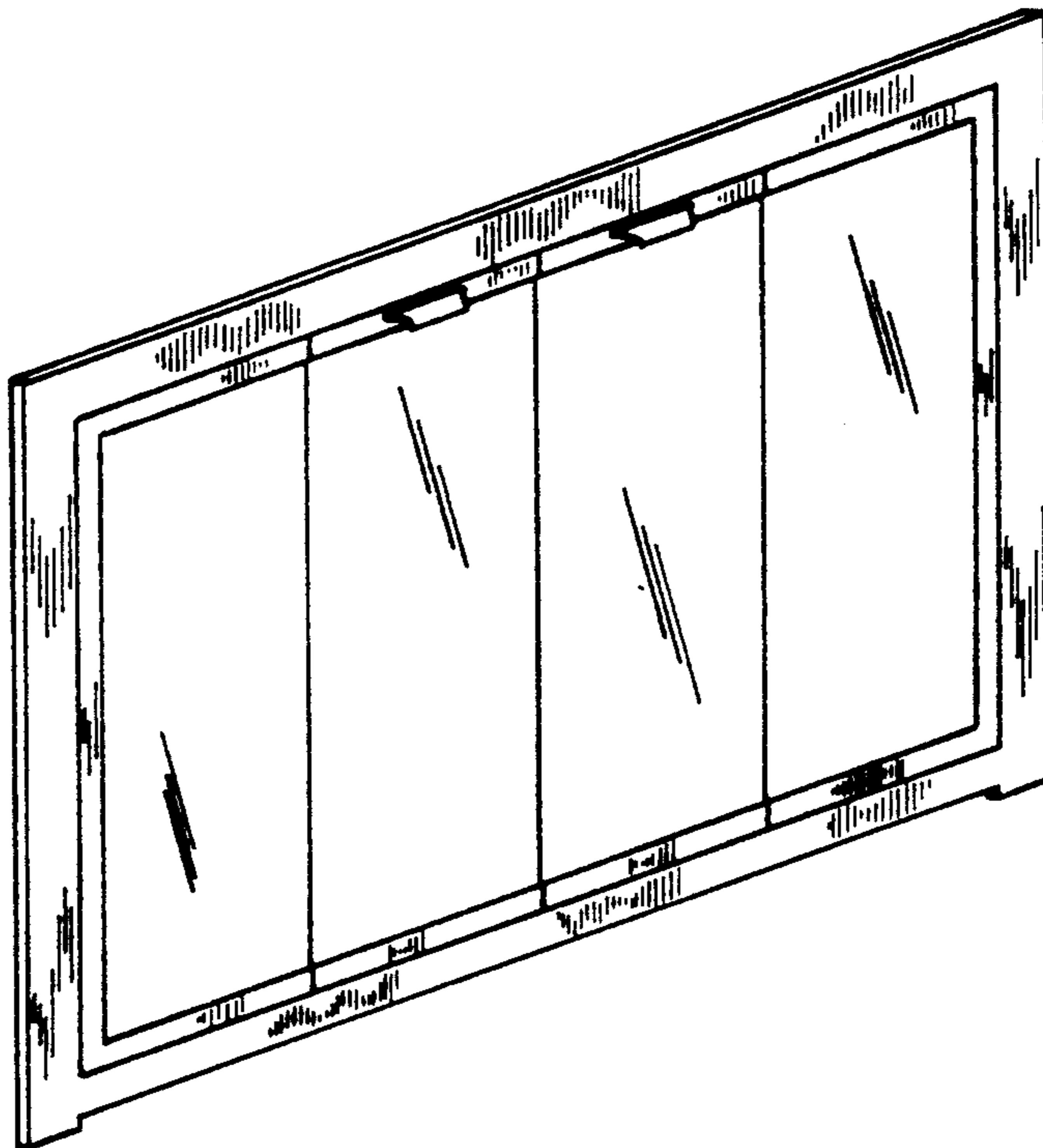
Assistant Examiner—Lisa Lichtenstein

[57] **CLAIM**

The ornamental design for a fireplace screen unit, as shown and described.

DESCRIPTION

FIG. 1 is a perspective view;
 FIG. 2 is a front elevation view;
 FIG. 3 is a top view; and,
 FIG. 4 is an end view, the opposite end being a mirror image.



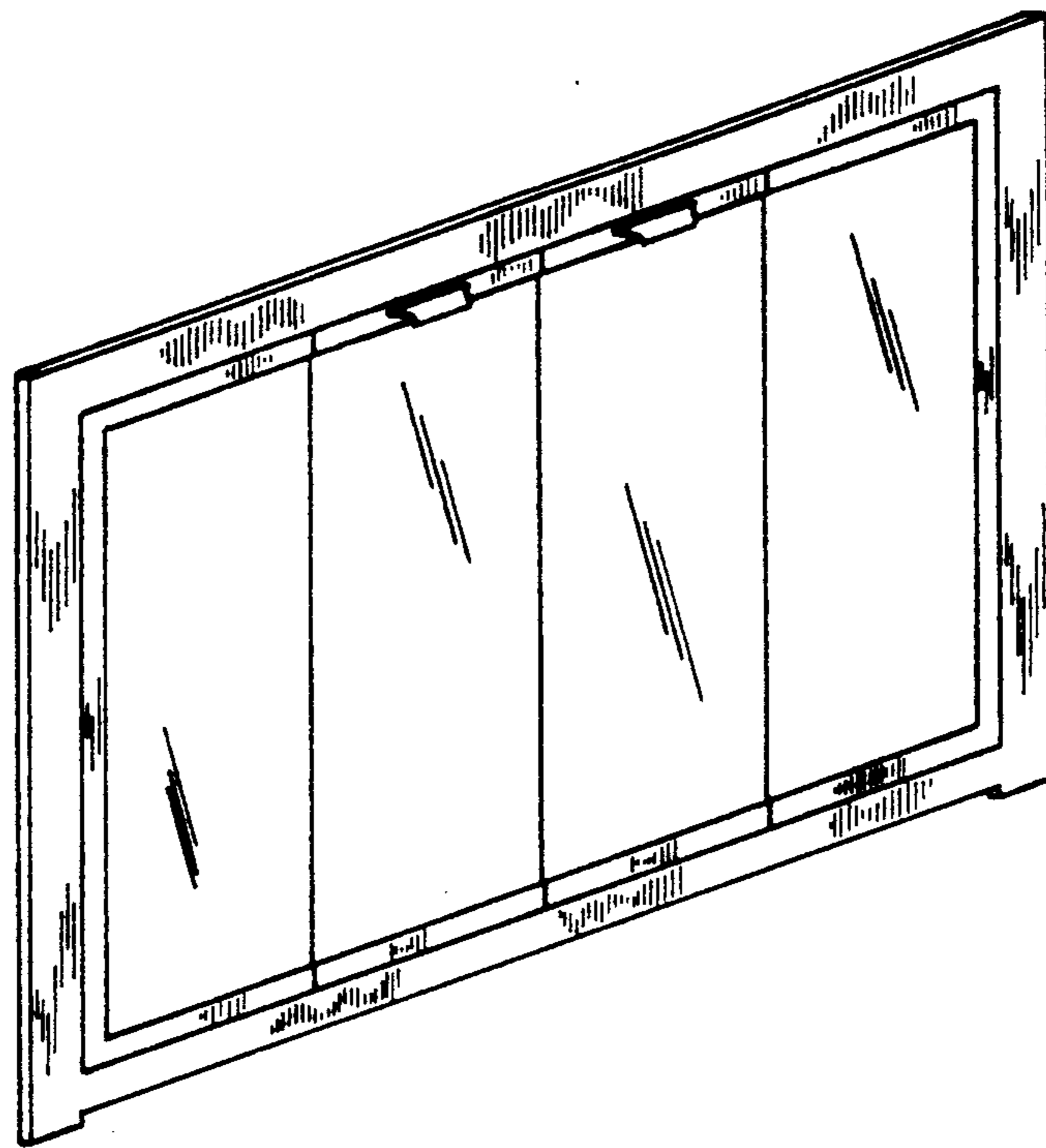


FIG. 1

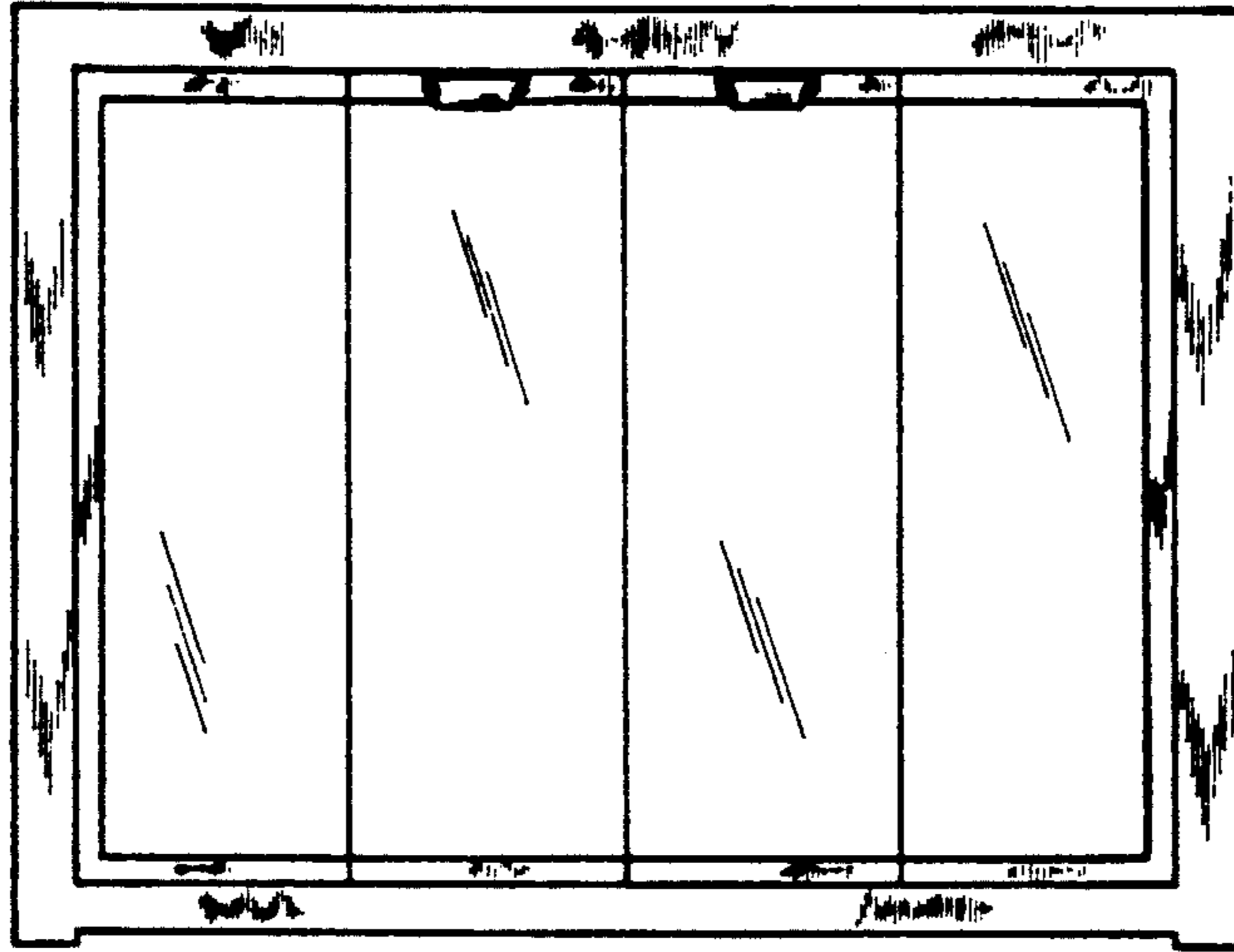


FIG. 2



FIG. 3



FIG. 4