



US00D345008S

# United States Patent [19]

[11] Patent Number: **Des. 345,008**

**Ahlström et al.**

[45] Date of Patent: **\*\* Mar. 8, 1994**

[54] **ELEVATED TOILET SEAT**

[75] Inventors: **Tom Ahlström; Hans Ehrich**, both of Stockholm, Sweden

[73] Assignee: **RFSU Rehab AB**, Stockholm, Sweden

[\*\*] Term: **14 Years**

[21] Appl. No.: **850,067**

[22] Filed: **Mar. 12, 1992**

[30] **Foreign Application Priority Data**

Oct. 1, 1991 [SE] Sweden ..... 91-1943

[52] U.S. Cl. .... **D23/311**

[58] Field of Search ..... D23/395-301, D23/309-312; 4/235, 239

[56] **References Cited**

**U.S. PATENT DOCUMENTS**

D. 190,408	5/1961	Finlof .....	D23/311
D. 237,887	12/1975	Landsberger .....	D23/311
D. 239,715	4/1976	Finlof .....	D23/311
D. 262,990	2/1982	Rodger .....	D23/311
D. 281,997	12/1985	Di Pito .....	D23/311
D. 282,964	3/1986	Bepritis .....	D23/311
D. 290,035	5/1987	Mann et al. ....	D23/311
D. 291,348	8/1987	Harrison .....	D23/311
D. 307,048	4/1990	Spiegel .....	D23/311
3,364,505	1/1968	Palmier .....	4/239
3,490,082	1/1970	Murcott .....	4/239

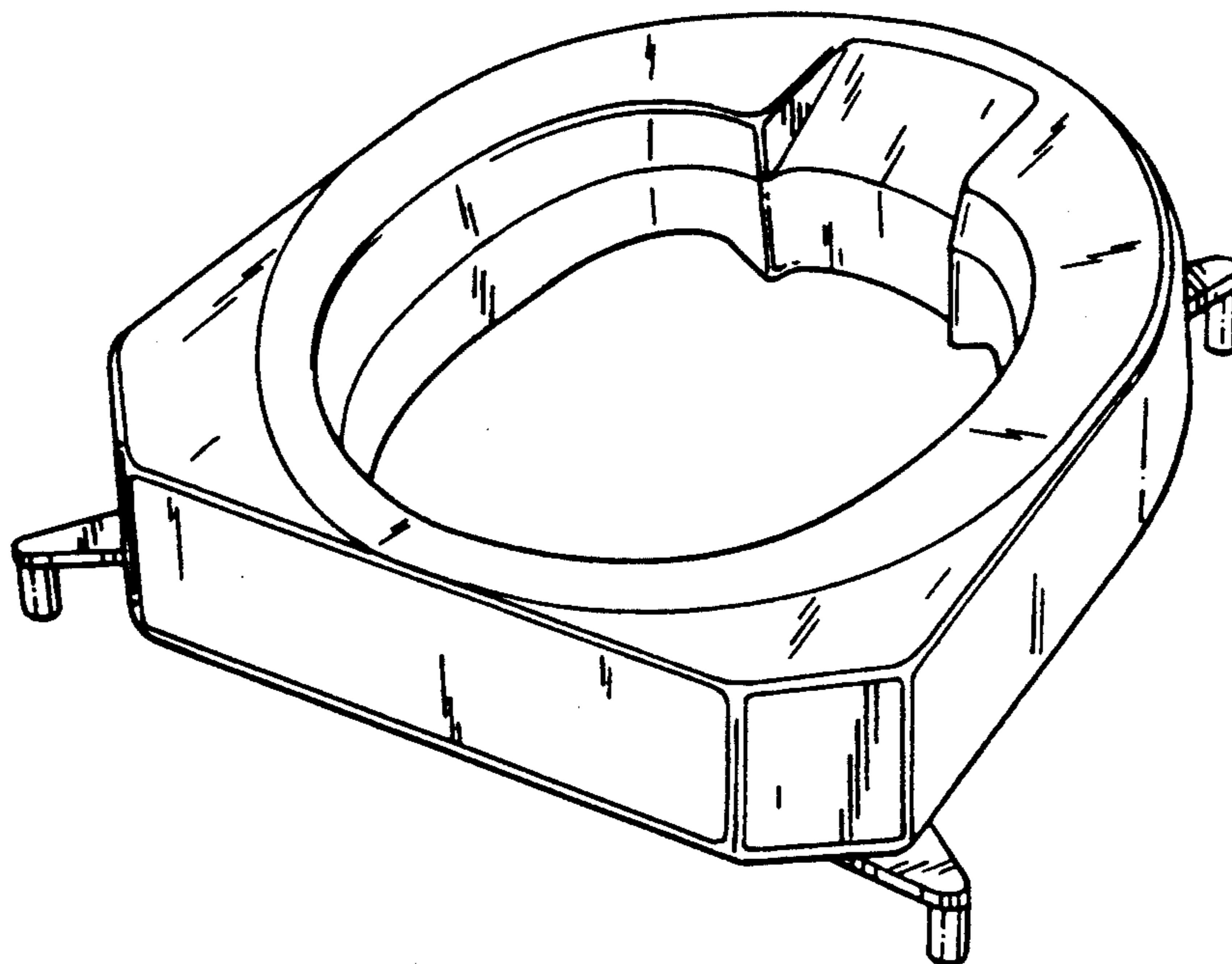
*Primary Examiner*—James R. Largen  
*Attorney, Agent, or Firm*—Young & Thompson

[57] **CLAIM**

The ornamental design for a elevated toilet seat, as is shown.

**DESCRIPTION**

FIG. 1 is a top perspective view of an elevated toilet seat showing our new design; and, FIG. 2 is a bottom perspective view thereof.



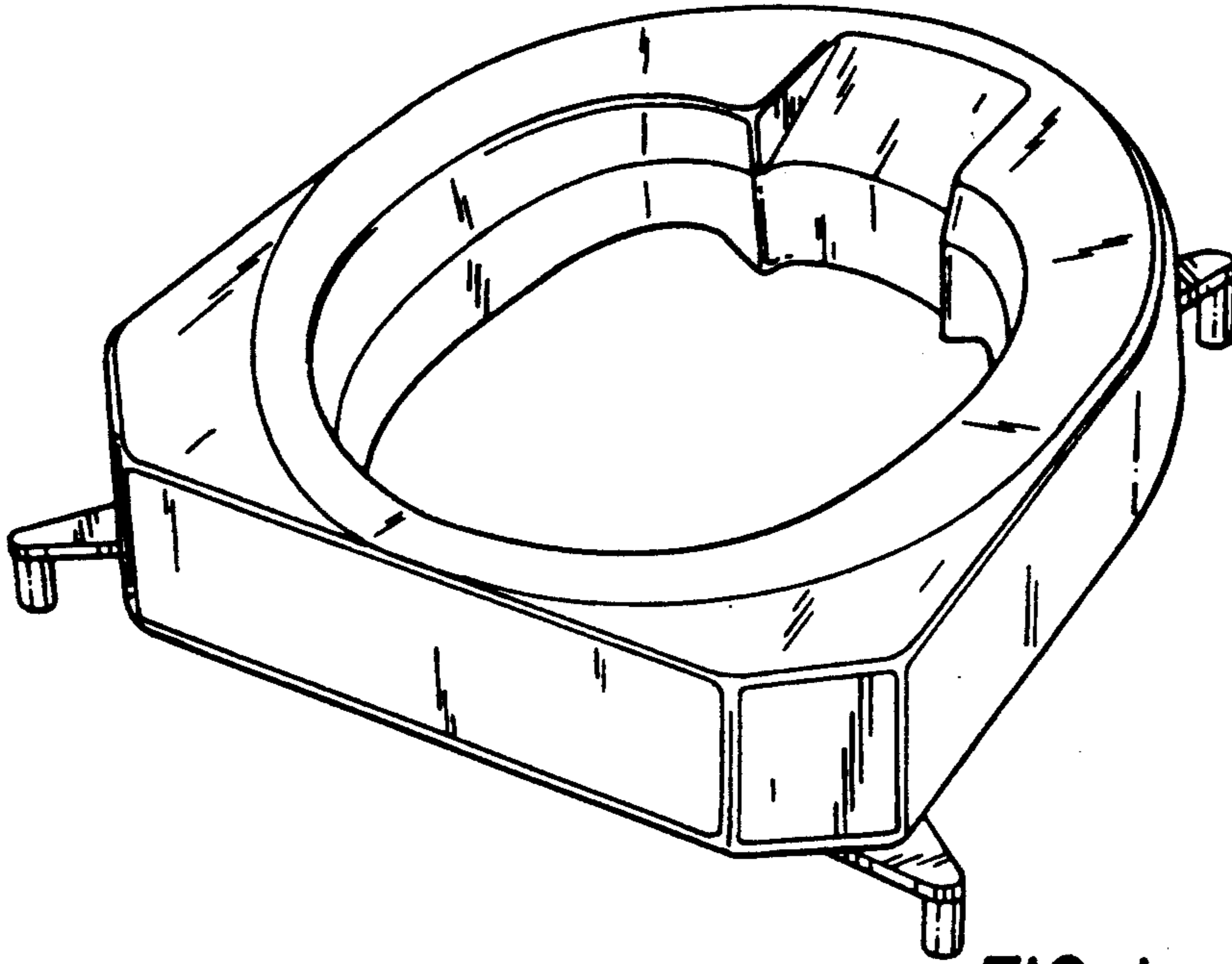


FIG. 1

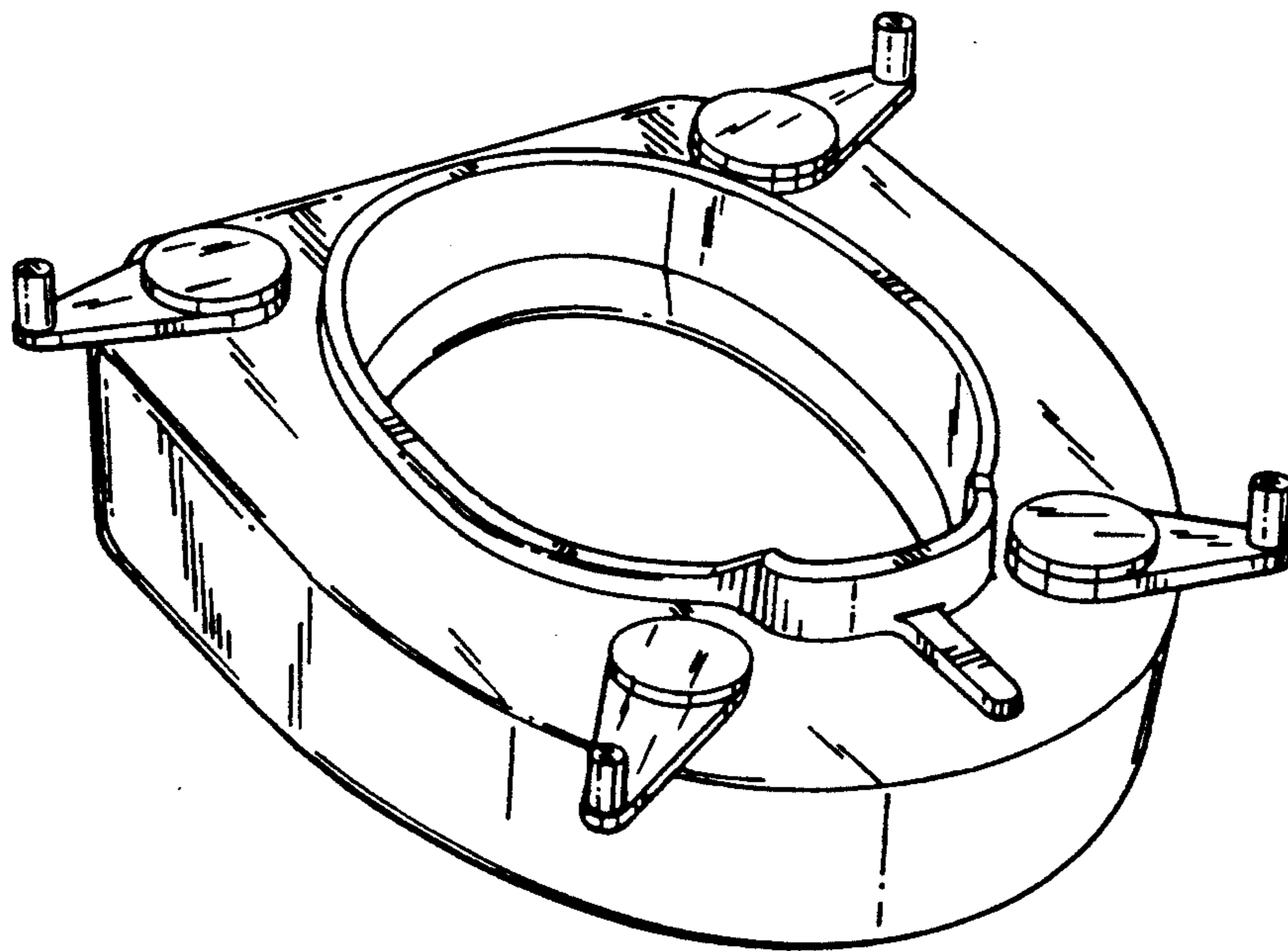


FIG. 2