



US00D345007S

United States Patent [19]

[11] Patent Number: **Des. 345,007**

Korabiak

[45] Date of Patent: **** Mar. 8, 1994**

[54] **SHUT-OFF VALVE**

[76] Inventor: **Walter Korabiak, 103 Crine Rd.,
Morganville, N.J. 07751**

[**] Term: **14 Years**

[21] Appl. No.: **846,408**

[22] Filed: **Mar. 5, 1992**

[52] U.S. Cl. **D23/249**

[58] Field of Search 137/596.1, 625.29;
251/74, 82, 142, 281, 282, 318; 285/256;
D23/249; D10/49

[56] **References Cited**

U.S. PATENT DOCUMENTS

5,062,440 11/1991 Korabiak 137/38
5,242,581 9/1993 Mohr 251/74 X

*Primary Examiner—Stella Reid
Assistant Examiner—Eric Watterson
Attorney, Agent, or Firm—Charles I. Brodsky*

[57] **CLAIM**

The ornamental design for a shut-off valve, as shown and described.

DESCRIPTION

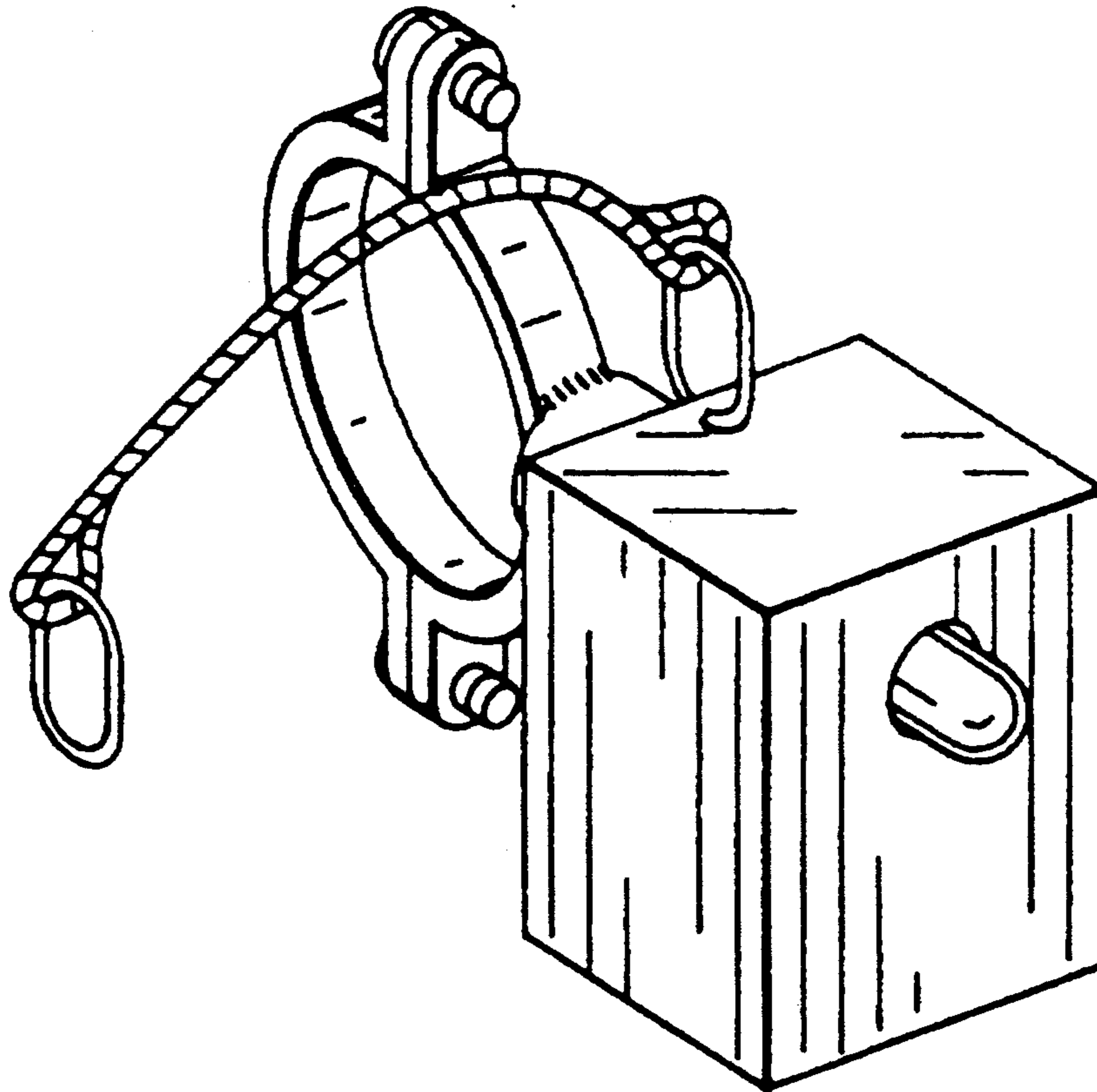
FIG. 1 is a left front perspective view of a shut-off valve showing my new design, a right front perspective view being a mirror image;

FIG. 2 is a left side elevational view, the right side being a mirror image;

FIG. 3 is a front elevational view;

FIG. 4 is a rear elevational view; and,

FIG. 5 is a top plan view thereof.



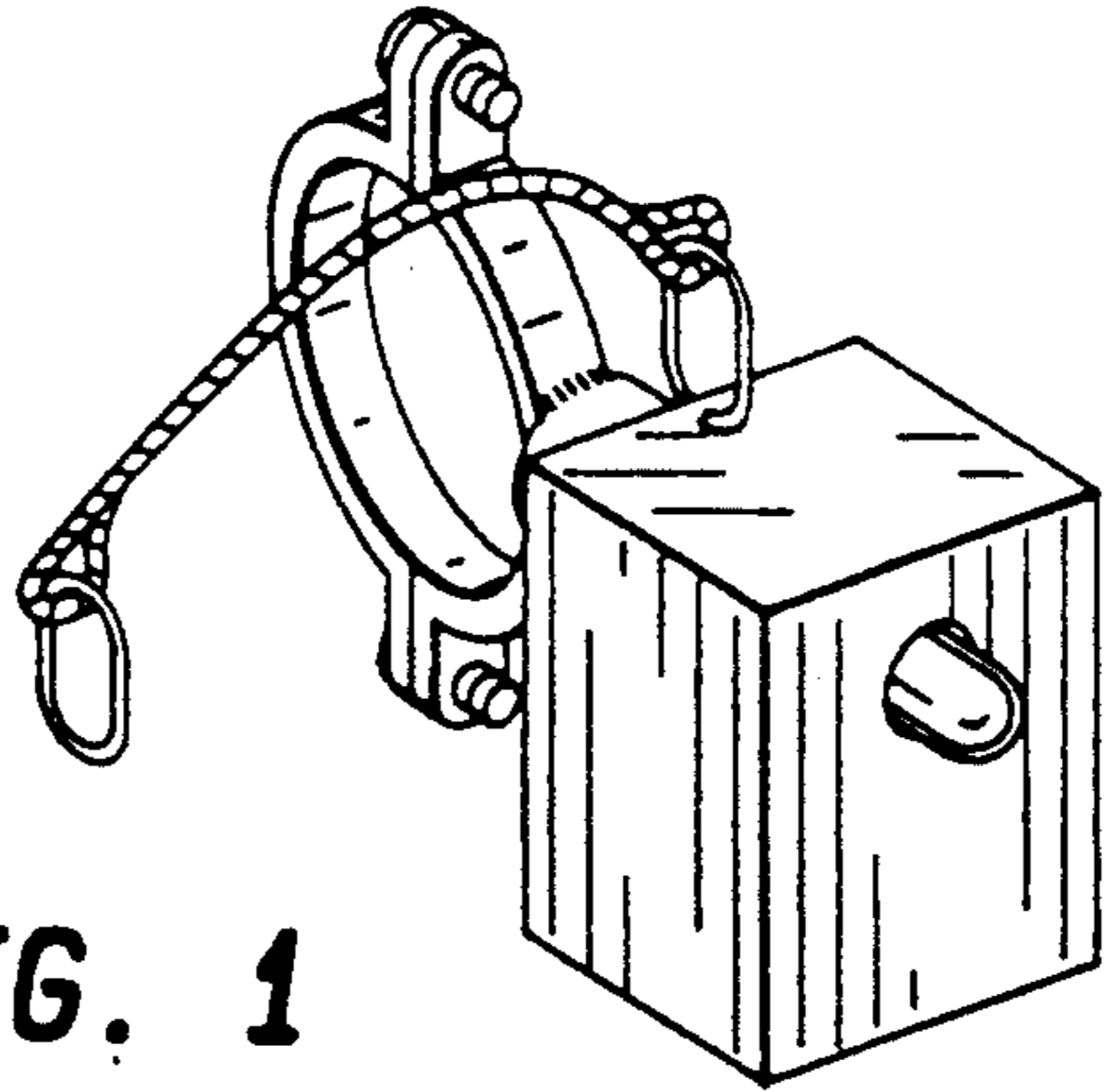


FIG. 1

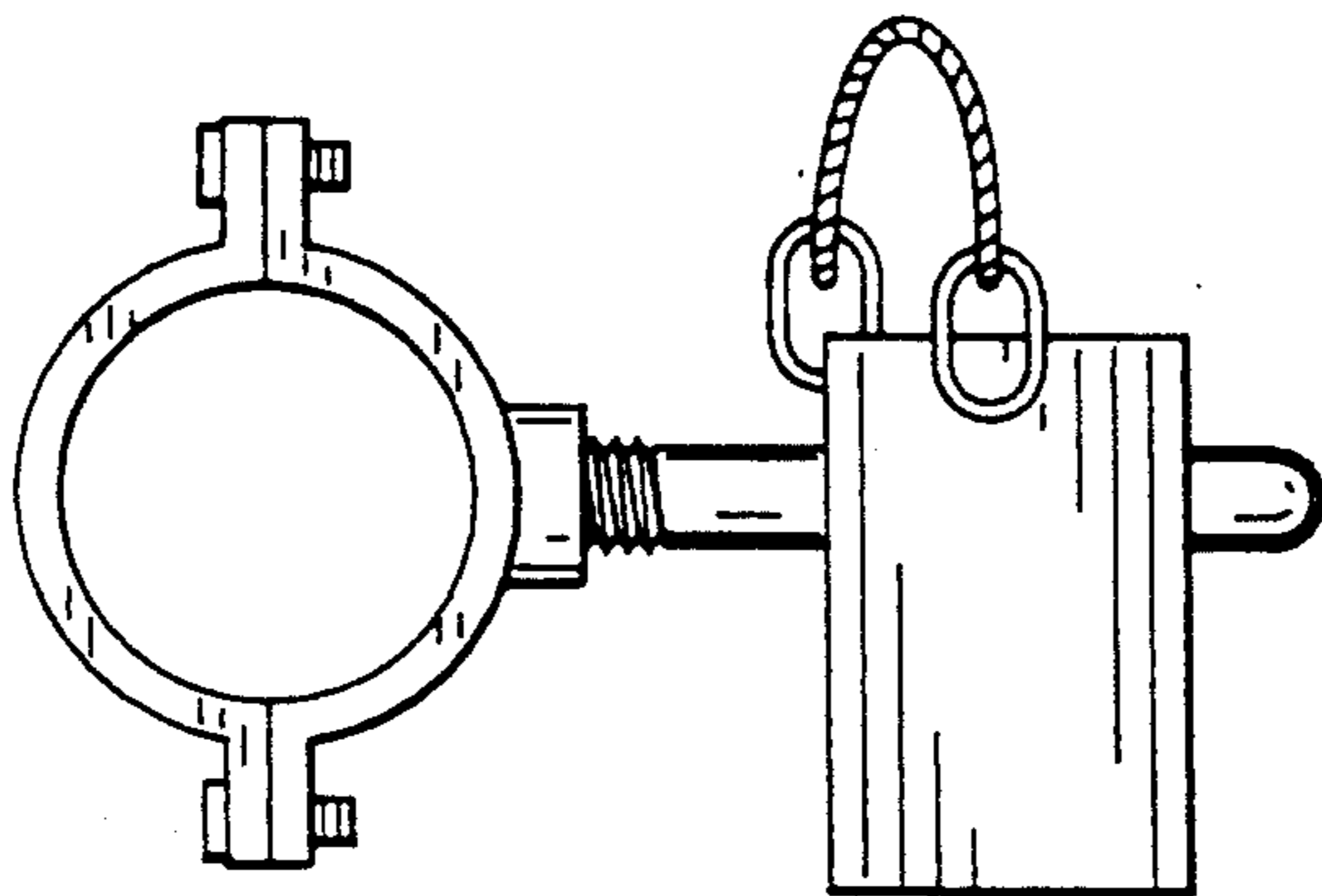


FIG. 2

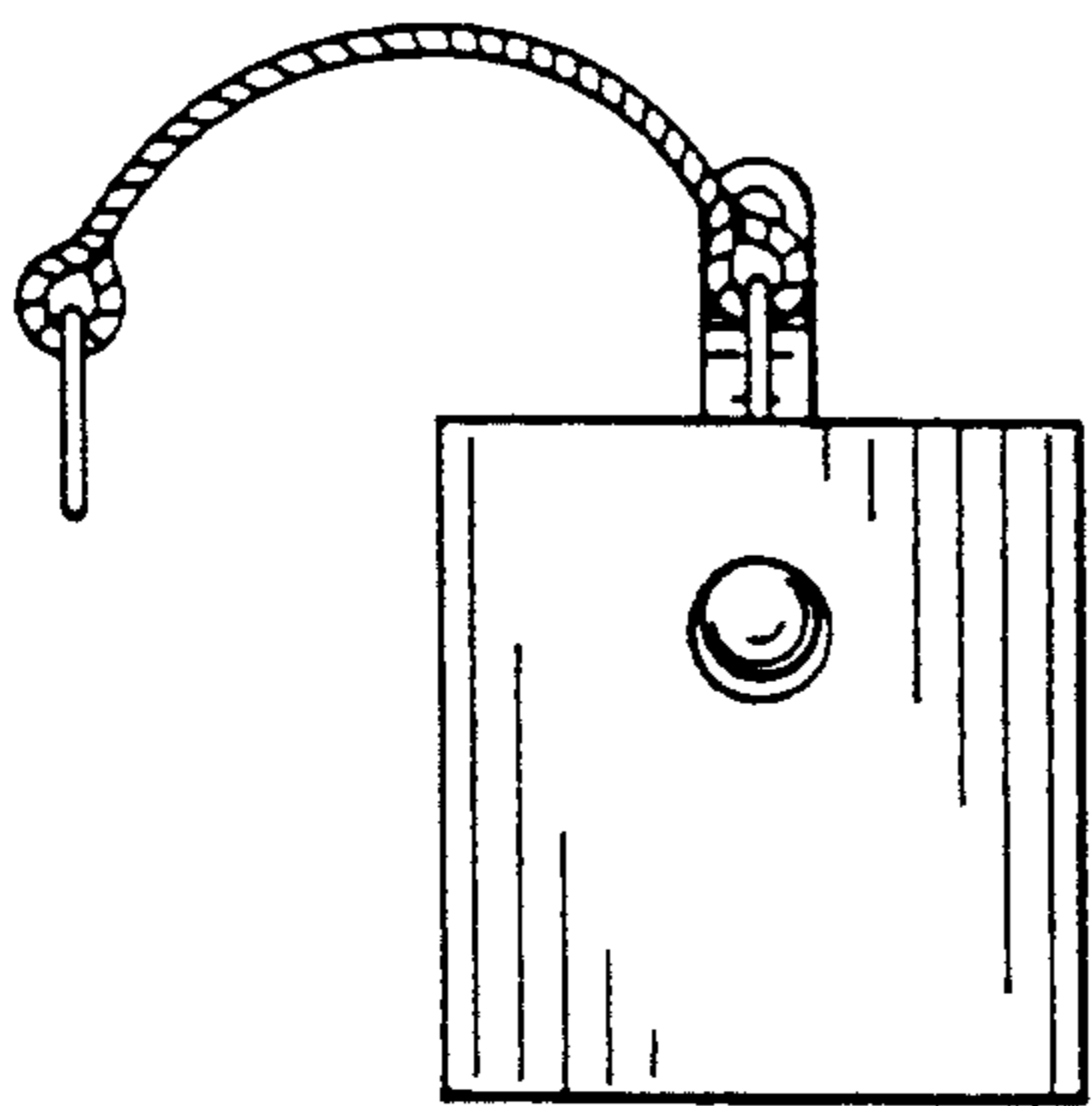


FIG. 3

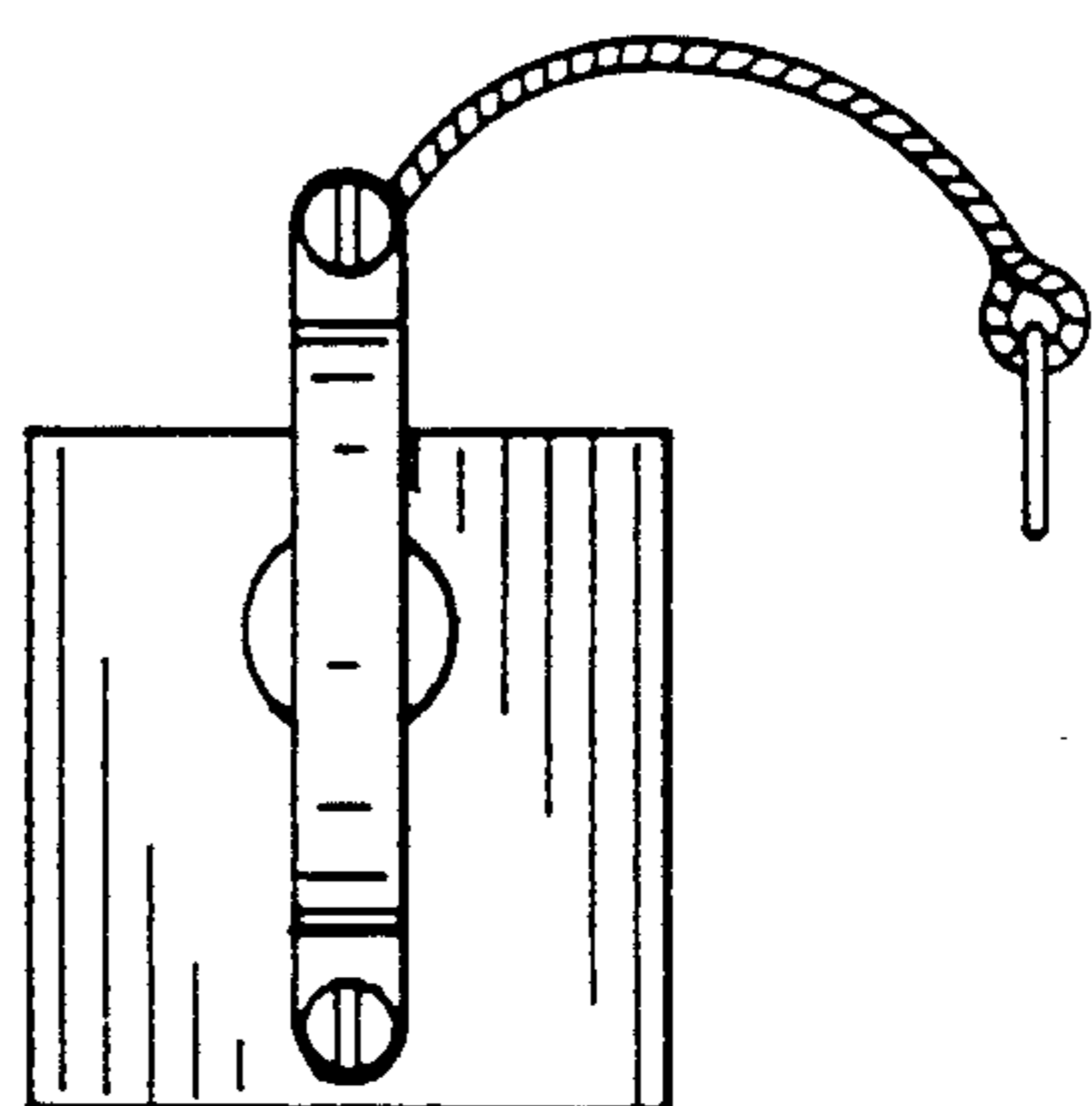


FIG. 4

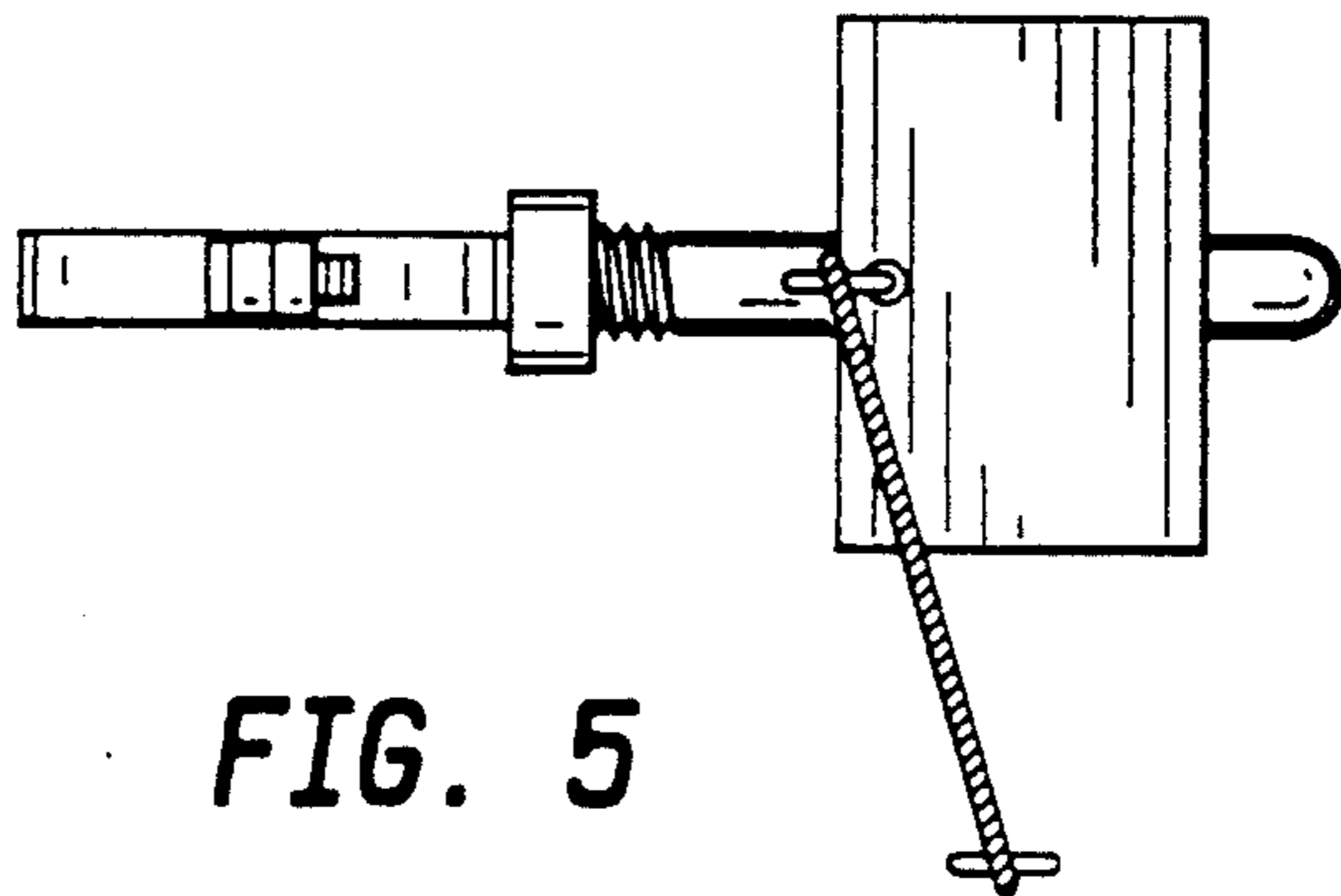


FIG. 5