



US00D345006S

United States Patent [19]

[11] Patent Number: **Des. 345,006**

Gallagher et al.

[45] Date of Patent: **** Mar. 8, 1994**

[54] VALVE

[75] Inventors: **Michael T. Gallagher**, Mayfield Heights; **Peter C. Williams**, Cleveland Heights; **Richard F. Wozniak**, Euclid, all of Ohio

[73] Assignee: **Whitey Co.**, Highland Hts., Ohio

[**] Term: **14 Years**

[21] Appl. No.: **765,108**

[22] Filed: **Sep. 25, 1991**

[52] U.S. Cl. **D23/245**

[58] Field of Search 137/385; 251/286-288, 251/309, 315, 904; D23/233-237, 244-249

[56] **References Cited**

U.S. PATENT DOCUMENTS

D. 291,229	8/1987	Kunz	D23/245
D. 291,230	8/1987	Kunz	D23/245
D. 297,254	8/1988	Odate et al.	D23/248
D. 297,354	8/1988	Wirth	D23/245

1,855,414	4/1932	Otton	137/385
4,023,773	5/1977	Wisp	251/315
4,103,865	8/1978	Horba et al.	251/315 X
4,257,575	3/1981	Runyan	251/309 X
4,479,513	10/1984	Koch et al.	251/286 X
4,667,928	5/1987	Davatz et al.	251/315
4,762,301	8/1988	Wozniak et al.	251/315 X

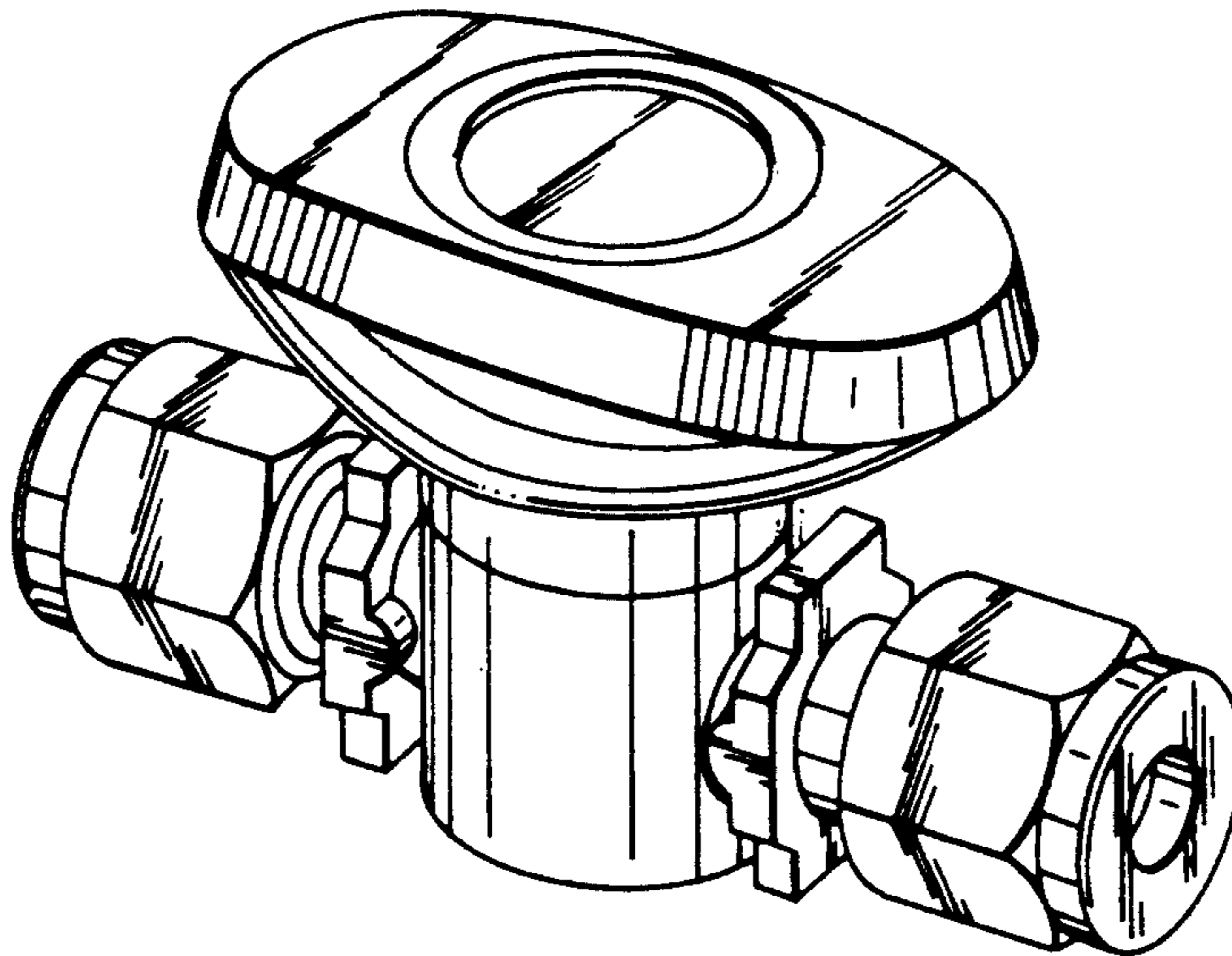
Primary Examiner—James R. Largen
Attorney, Agent, or Firm—Fay, Sharpe, Beall, Fagan, Minnich & McKee

[57] **CLAIM**

The ornamental design for a valve, as shown.

DESCRIPTION

FIG. 1 is an isometric view of a valve showing the new design;
FIG. 2 is a front elevational view thereof;
FIG. 3 is a top plan view thereof;
FIG. 4 is a right side elevational view thereof;
FIG. 5 is a left side elevational view thereof;
FIG. 6 is a rear elevational view thereof; and,
FIG. 7 is a bottom plan view thereof.



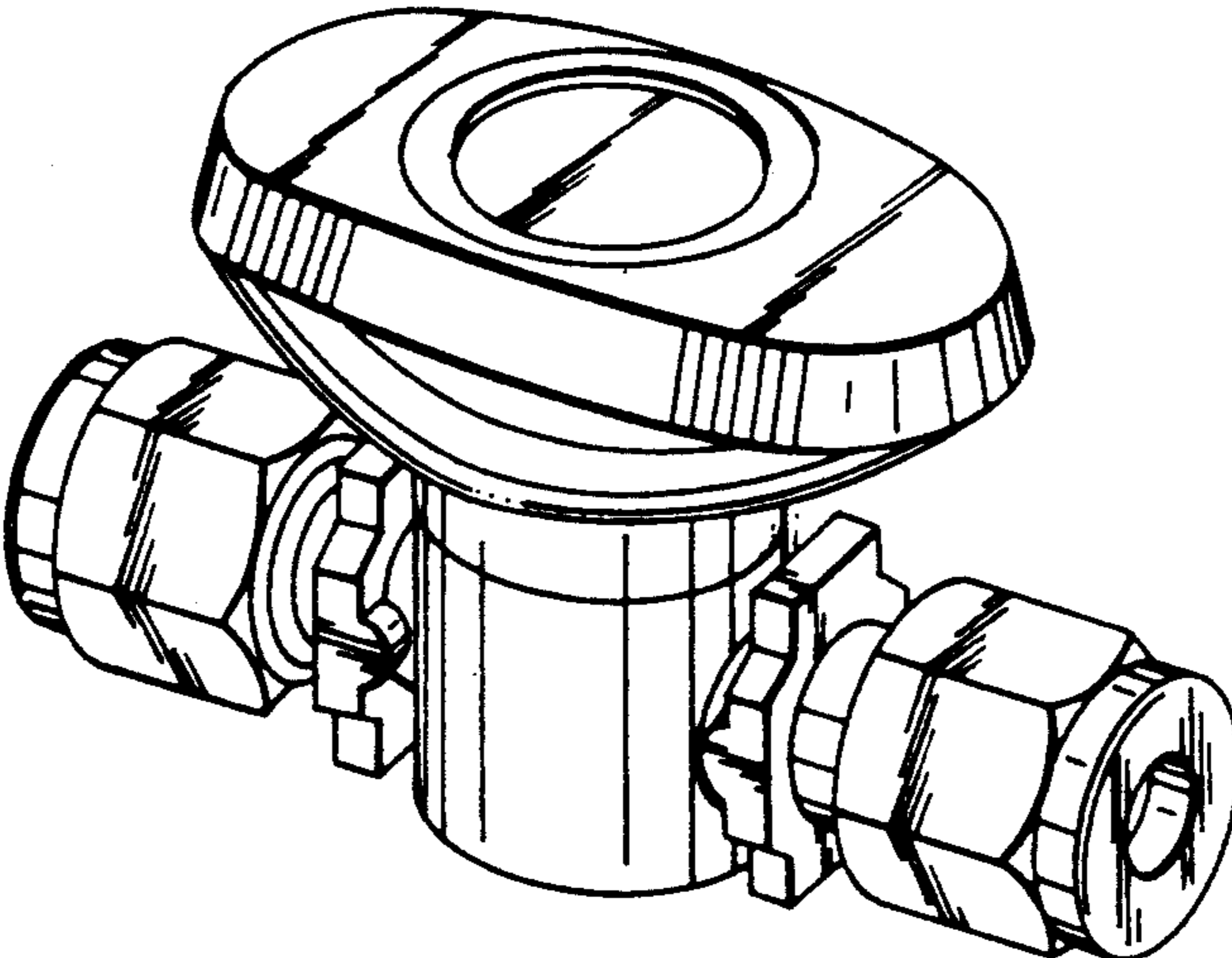


Fig. 1

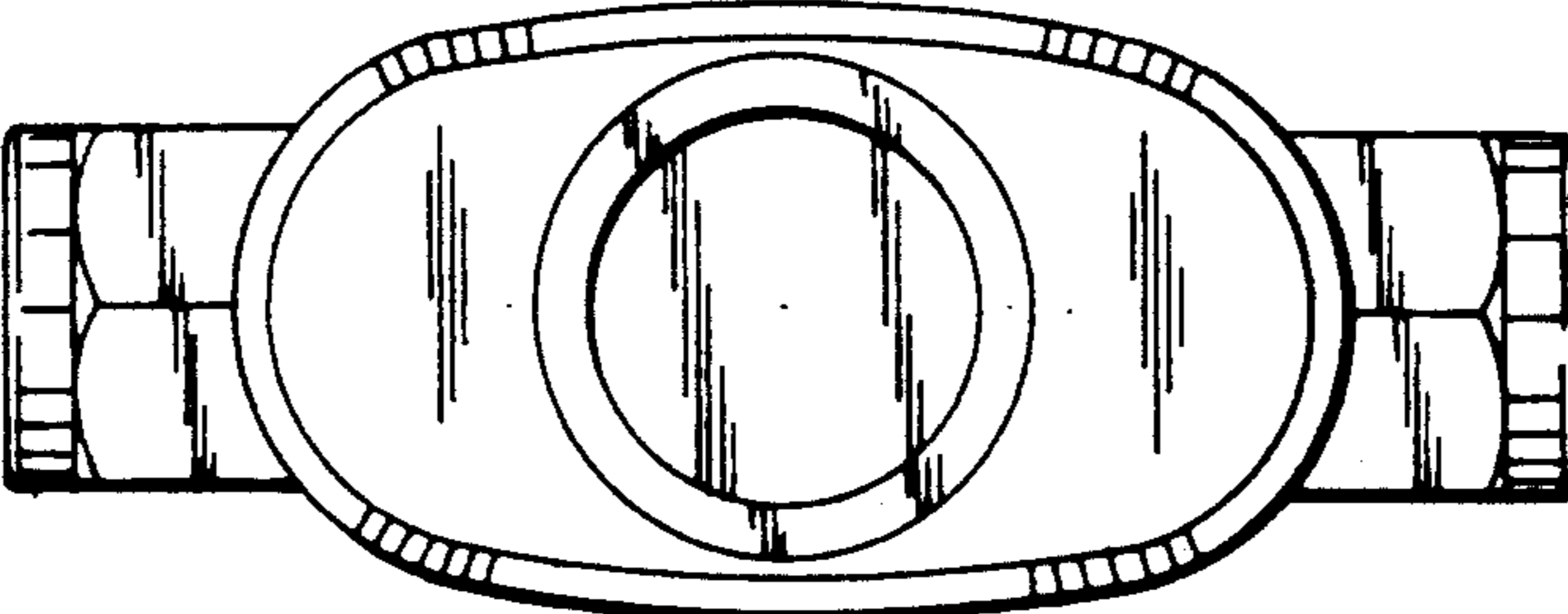


Fig. 2

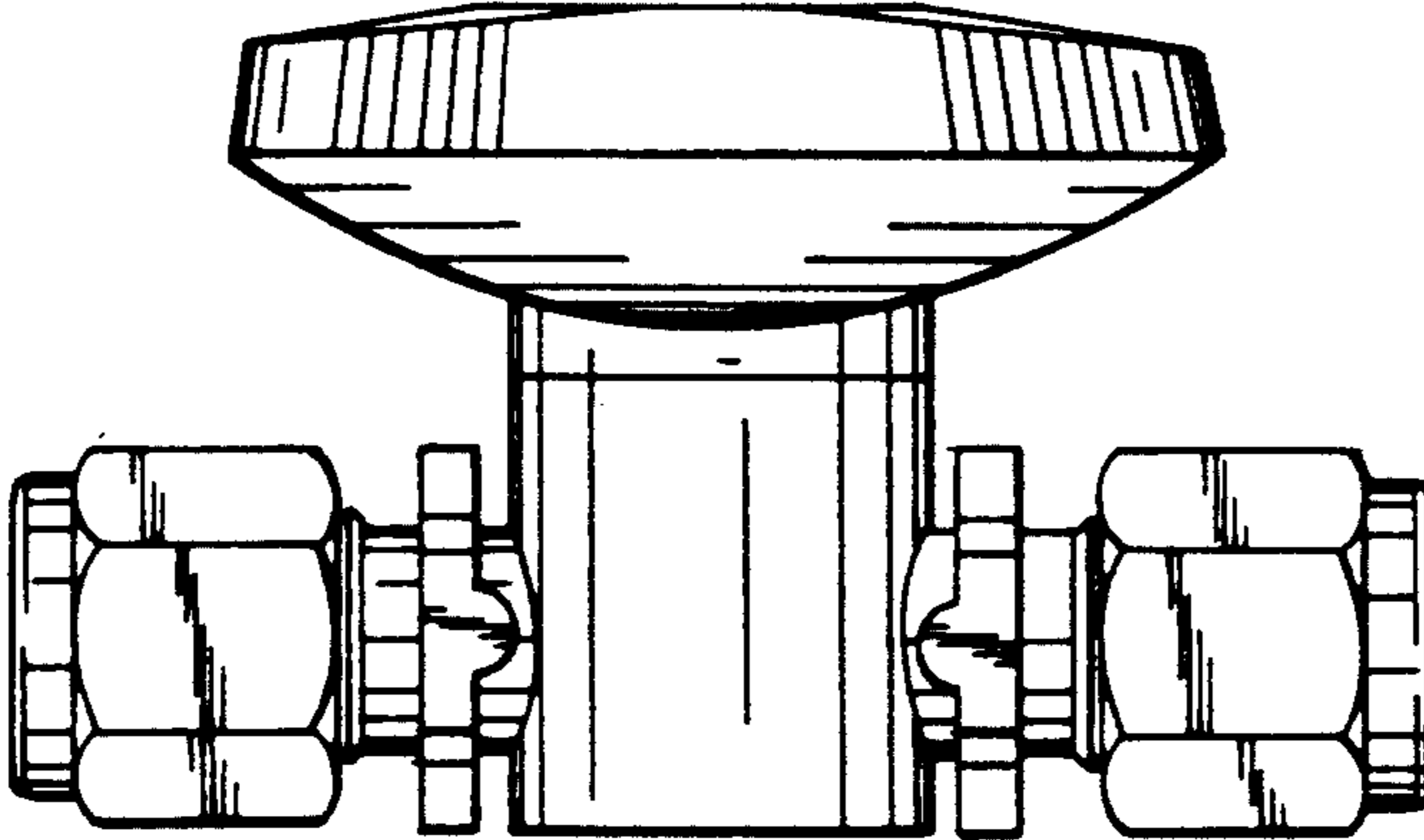


Fig. 3

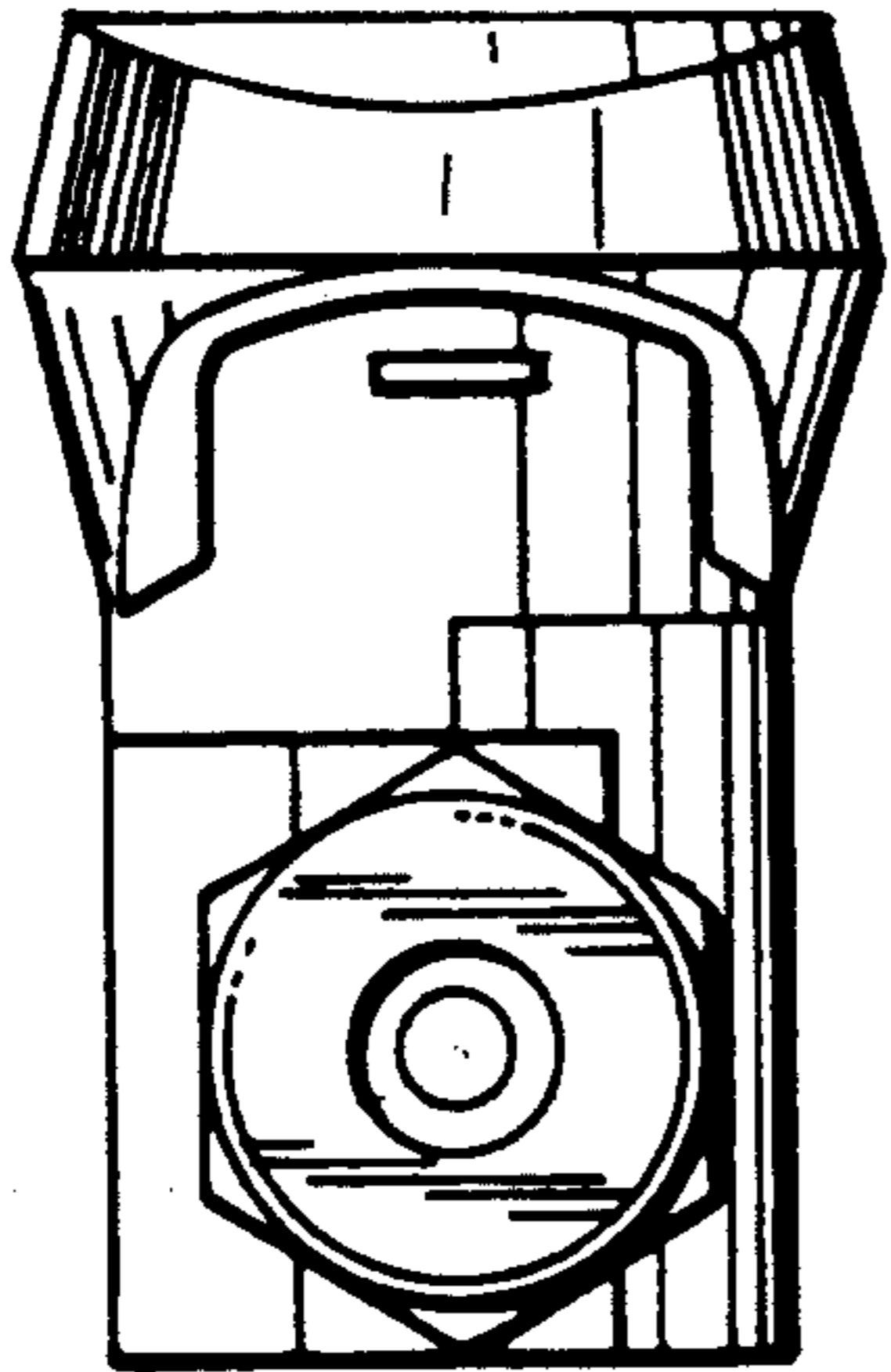


Fig. 4

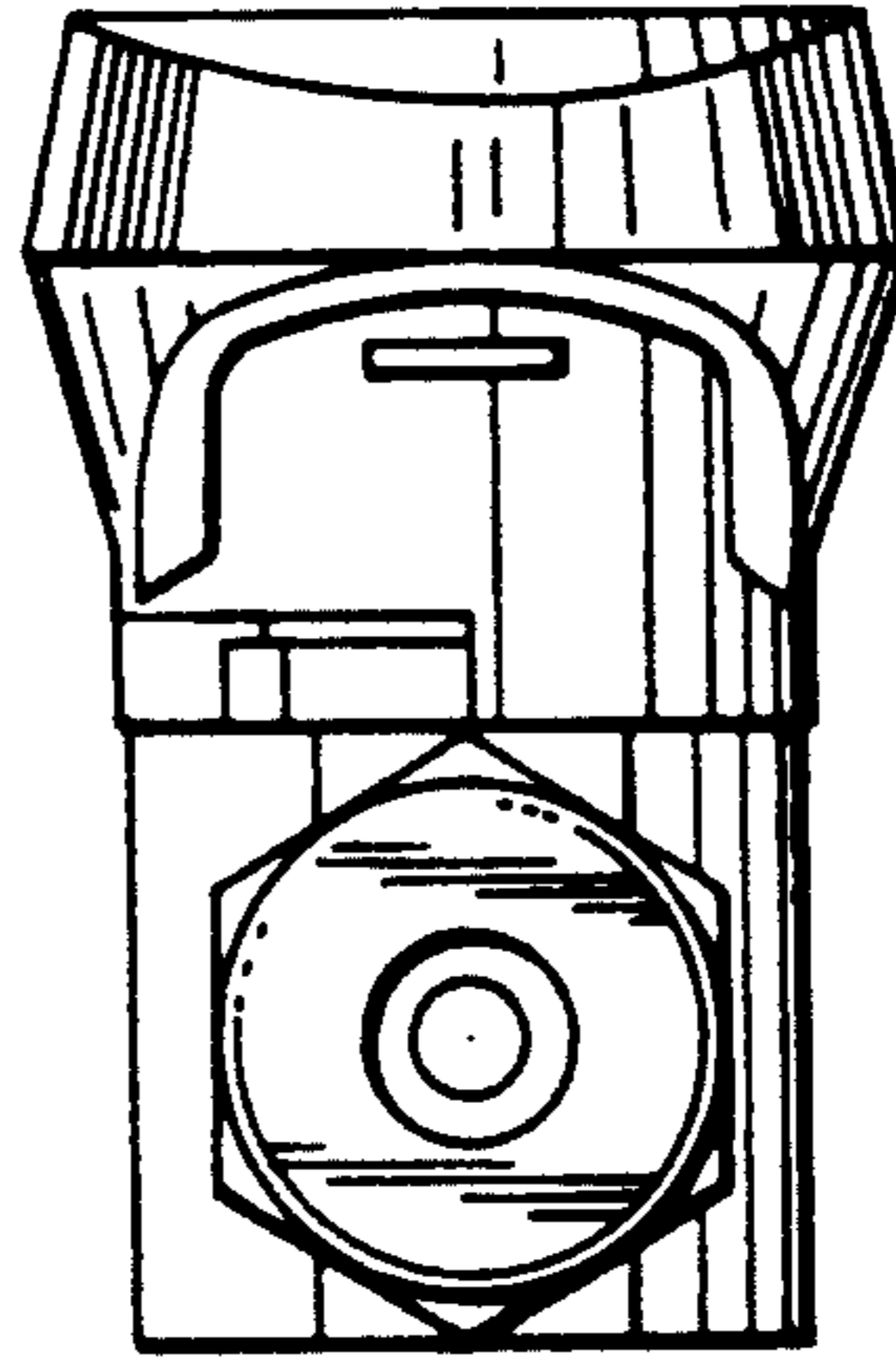


Fig. 5

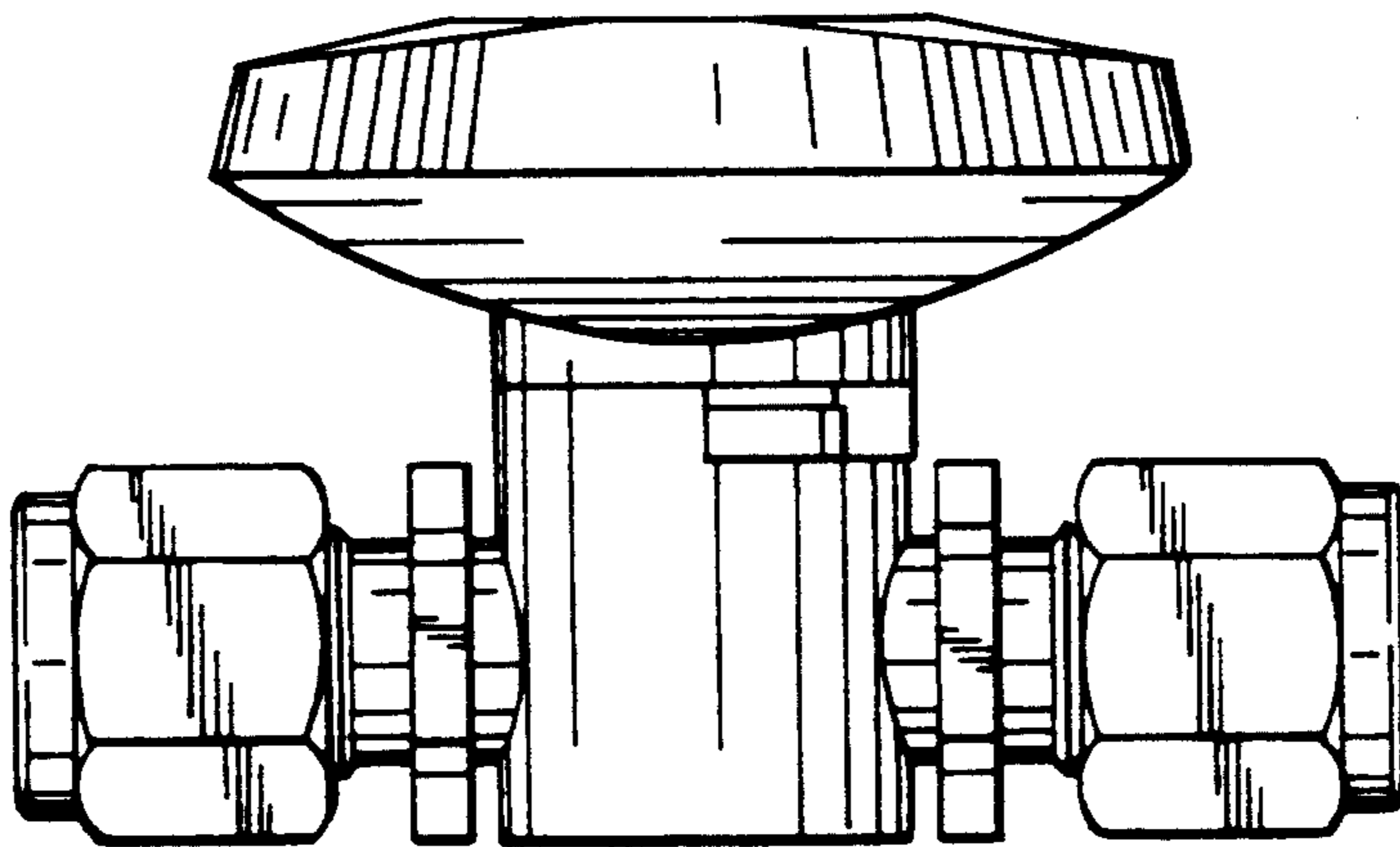


Fig. 6

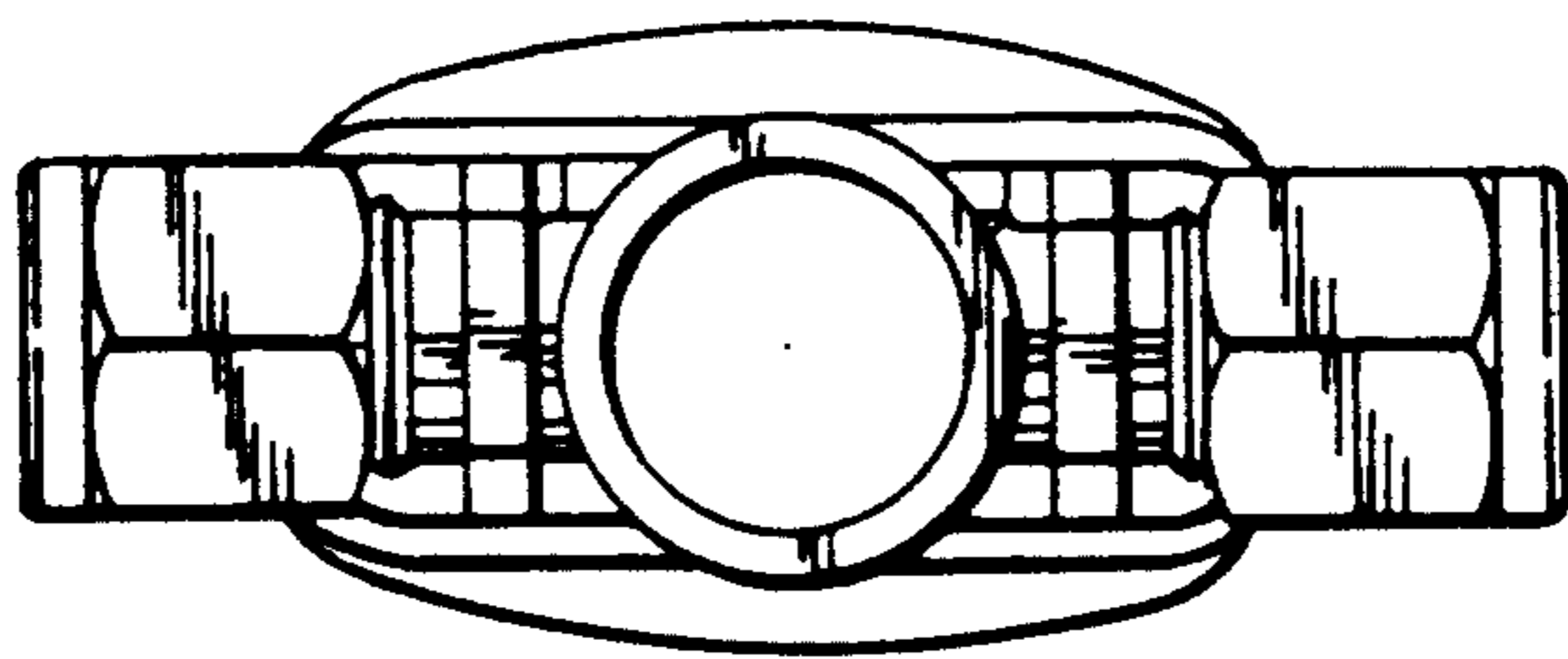


Fig. 7