



US00D345004S

# United States Patent [19]

[11] Patent Number: Des. 345,004

Bengtson

[45] Date of Patent: \*\* Mar. 8, 1994

## [54] COMBINED PLUMBING FITTING HANDLE AND ESCUTCHEON

[75] Inventor: Alan D. Bengtson, Sheboygan, Wis.

[73] Assignee: Kohler Co., Kohler, Wis.

[\*\*] Term: 14 Years

[21] Appl. No.: 824,486

[22] Filed: Jan. 22, 1992

[52] U.S. Cl. .... D23/254

[58] Field of Search ..... D8/300, 307-311; 16/110 R, 118, 121; 4/675-678; D23/238-243, 250-254

### [56] References Cited

#### U.S. PATENT DOCUMENTS

D. 101,449	10/1936	Dreyfuss et al. ....	D23/250
D. 241,440	9/1976	Doman .	
D. 285,106	8/1986	Ogilvie .	
D. 290,496	6/1987	Ryan .....	D23/252
D. 291,237	8/1987	Delepine .....	D23/254
D. 294,168	2/1988	Fabian .....	D23/250 X
D. 299,160	12/1988	Lathrop .....	D23/252
D. 319,294	8/1991	Kohler, Jr. et al. ....	D23/254
D. 321,468	11/1991	Reid .	
D. 326,899	6/1992	Haug et al. ....	D23/250
D. 330,754	11/1992	Gottwald .....	D23/254
D. 331,099	11/1992	Gottwald .....	D23/254
D. 333,698	3/1993	Gottwald .....	D23/254
D. 336,947	6/1993	Gottwald .....	D23/250

## FOREIGN PATENT DOCUMENTS

DM8325 of 0000 .  
DM11581 of 0000 .

## OTHER PUBLICATIONS

P. 54, admitted prior art, undated Harden catalog for "85 Series Fixtures".

Primary Examiner—James R. Largen  
Attorney, Agent, or Firm—Quarles & Brady

## [57] CLAIM

The ornamental design for a combined plumbing fitting handle and escutcheon, as shown and described.

## DESCRIPTION

FIG. 1 is a perspective view taken from the top, front and left side of a combined plumbing fitting handle and escutcheon showing my new design;

FIG. 2 is a front elevational view thereof;

FIG. 3 is a left side elevational view thereof, the right side being a mirror image of the left side;

FIG. 4 is a top plan view thereof;

FIG. 5 is a bottom plan view thereof;

FIG. 6 is a rear elevational view thereof; and,

FIG. 7 is a front elevational view of a second embodiment thereof, which is the same as the first embodiment except that the setting markings have been omitted from the escutcheon and the pointer has been omitted from the handle.

The fragmentary broken line representation of a bathing enclosure in FIG. 1 is for proposes of illustration only and forms no part of the claimed design.

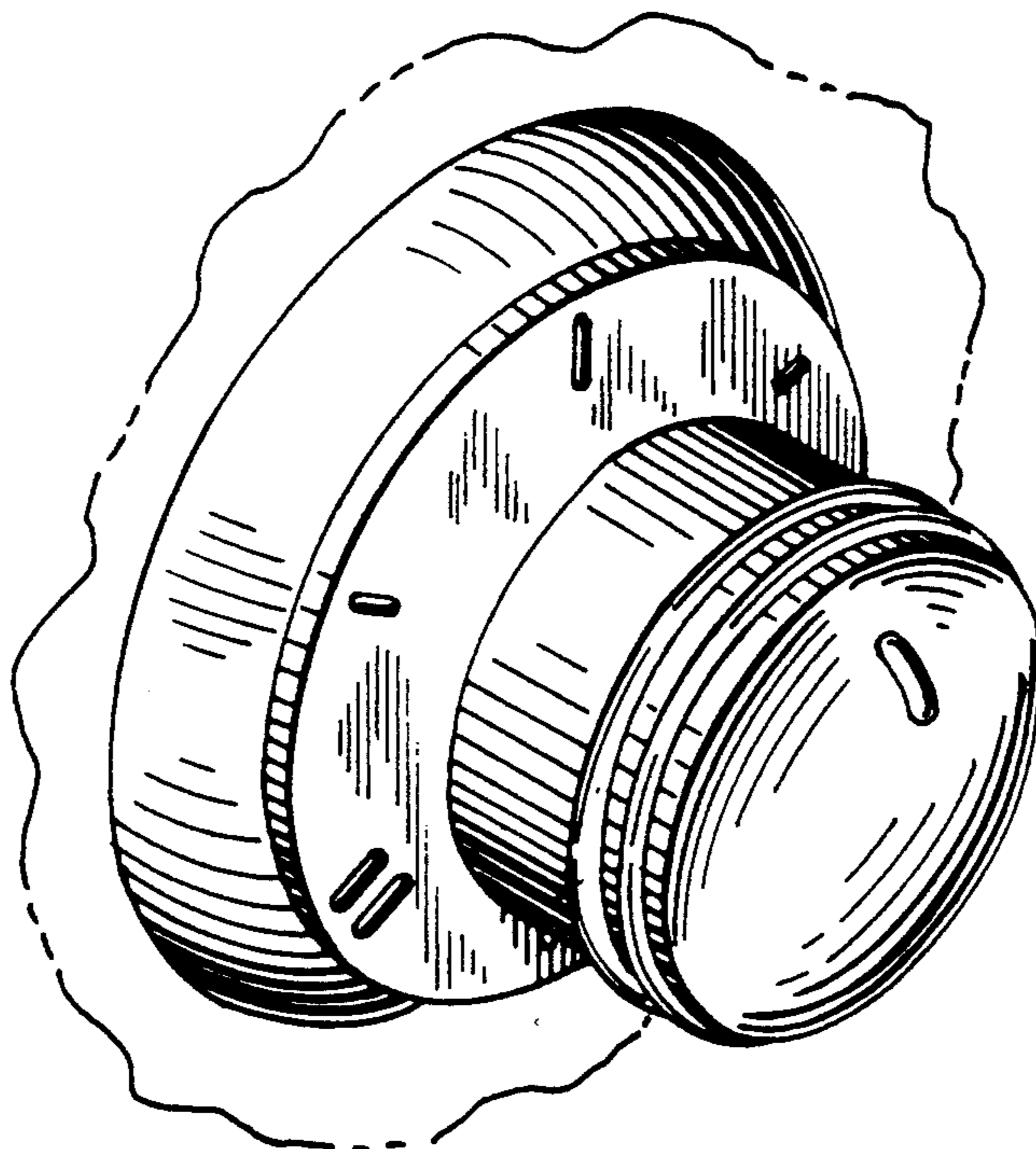


FIG. 1

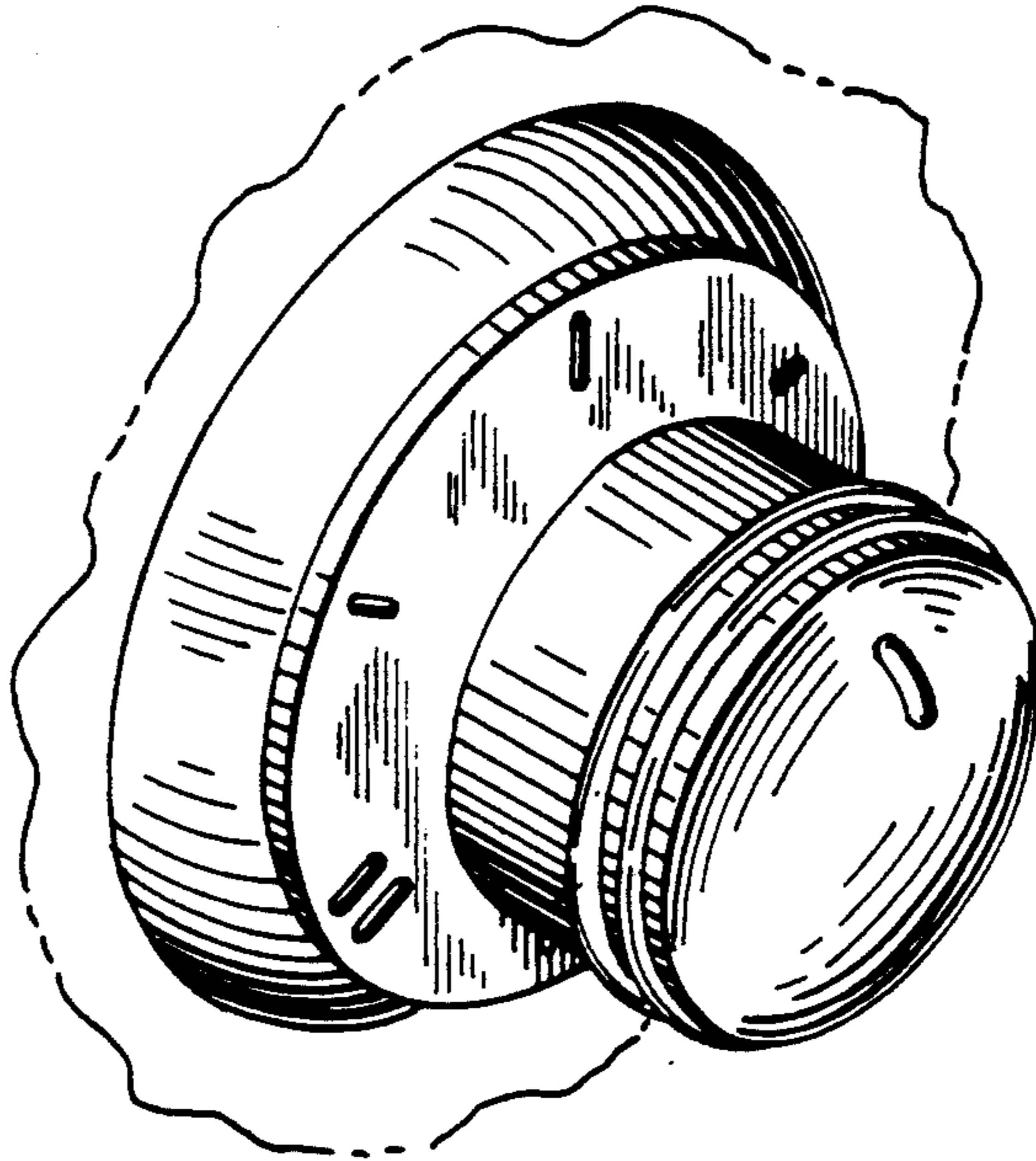


FIG. 2

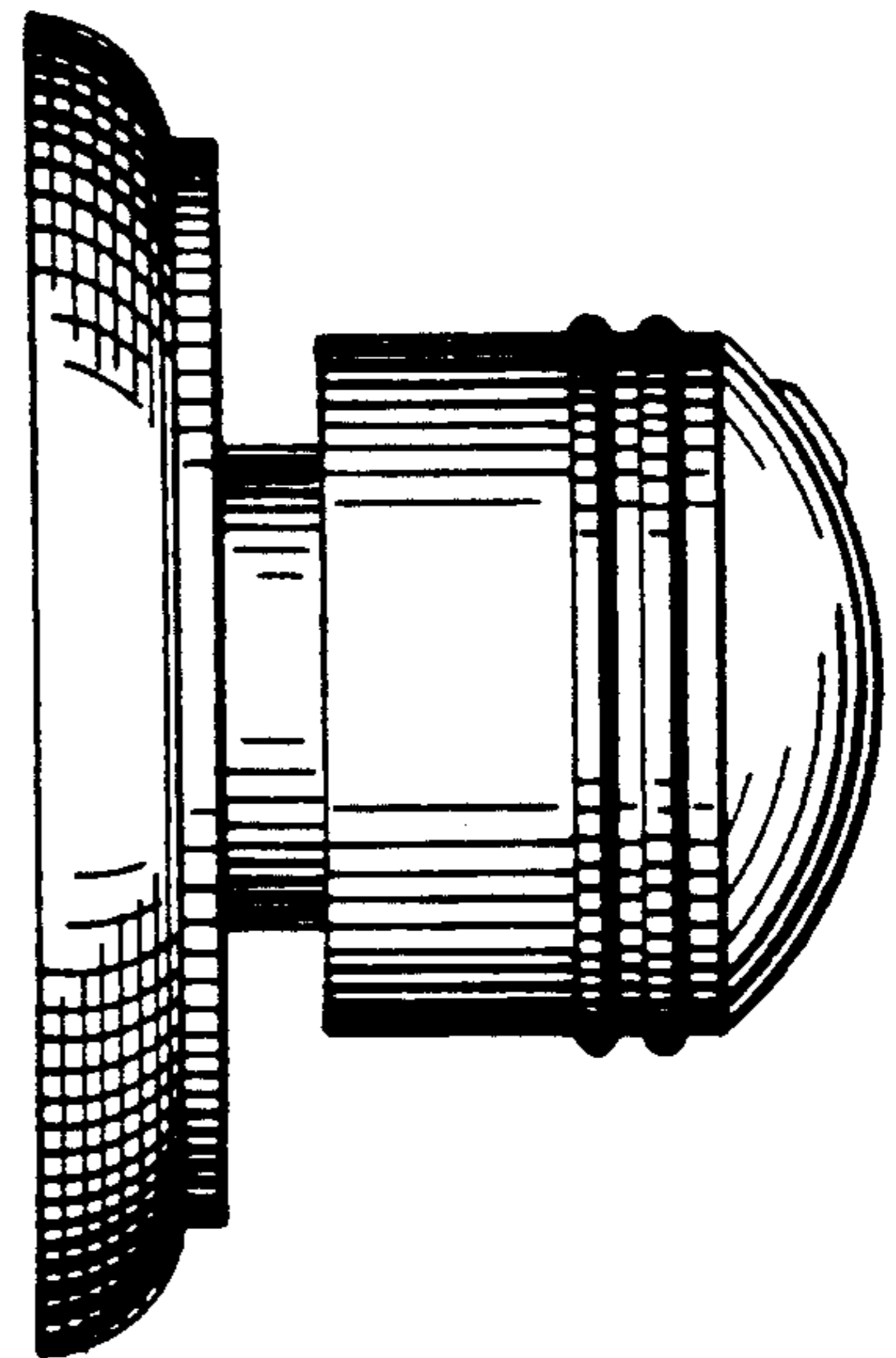
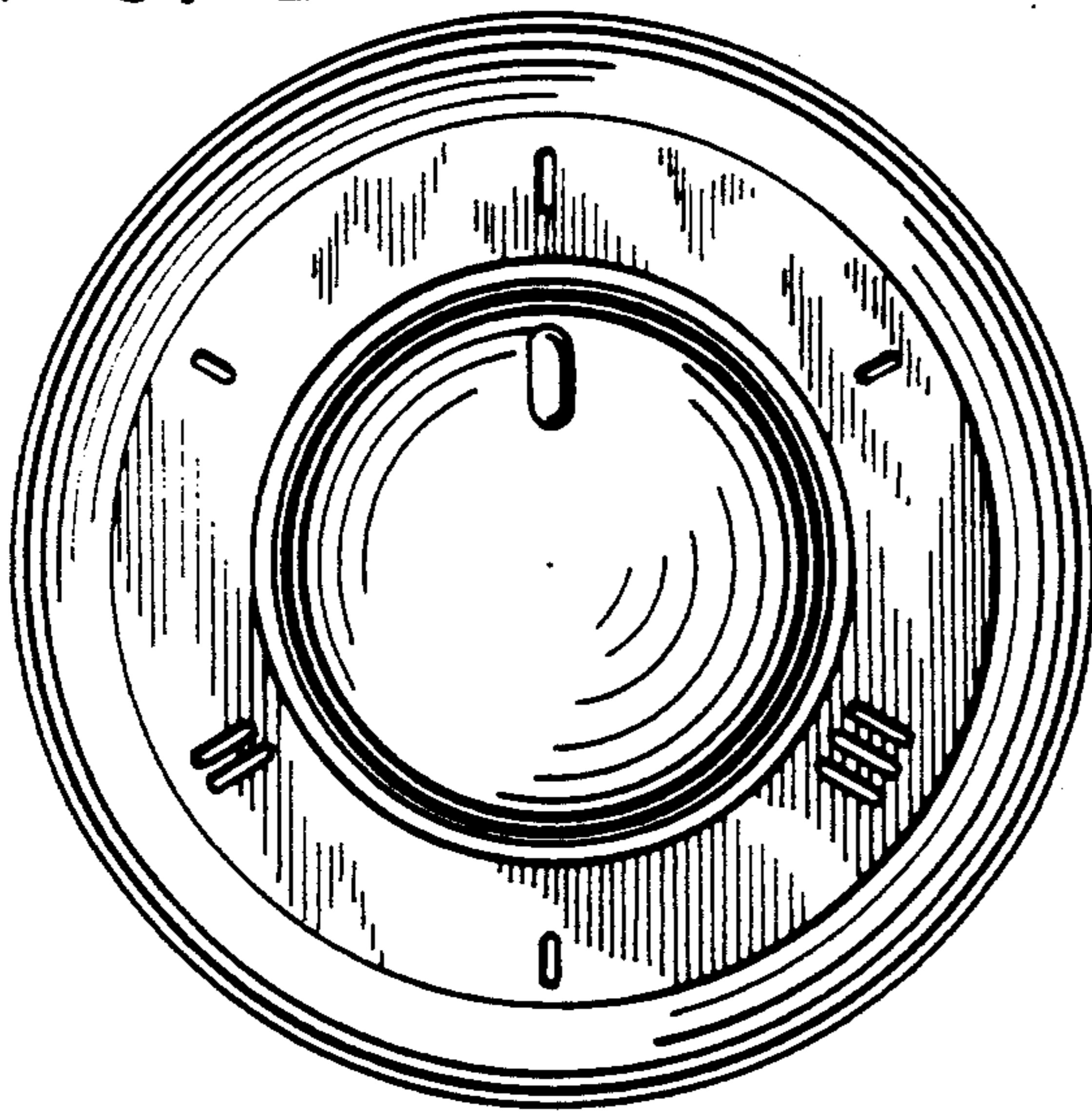


FIG. 3

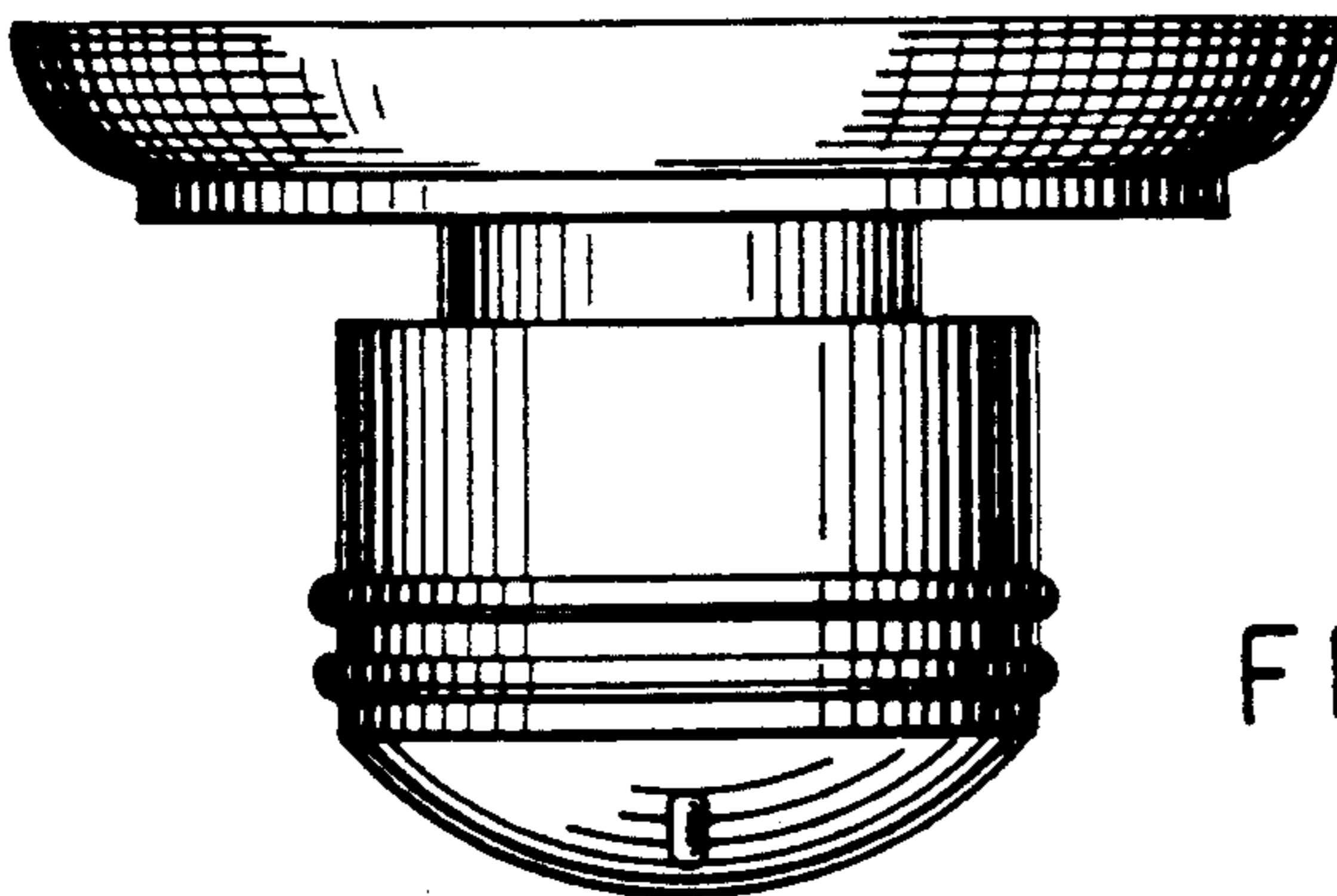


FIG. 4



FIG. 5

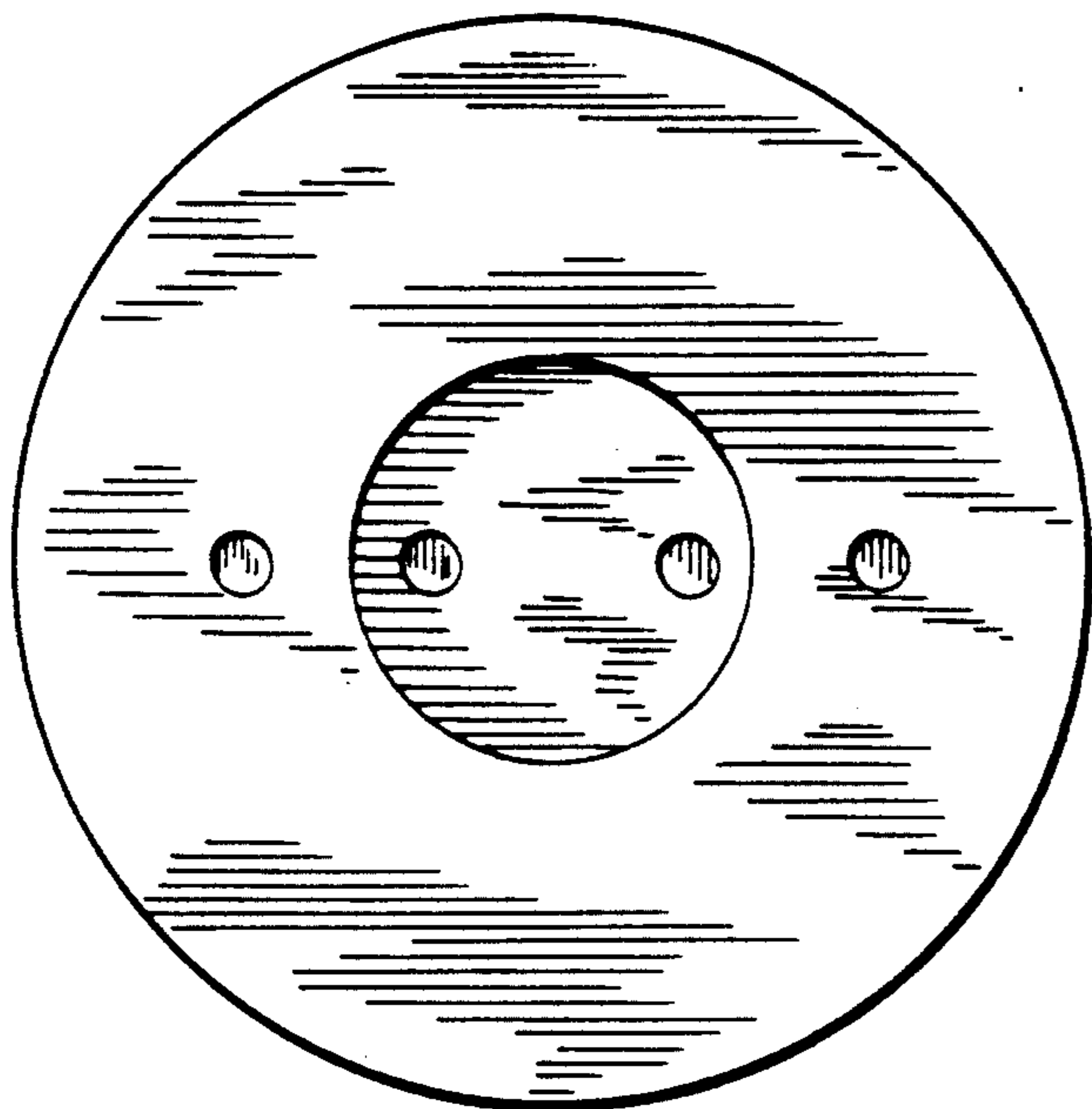
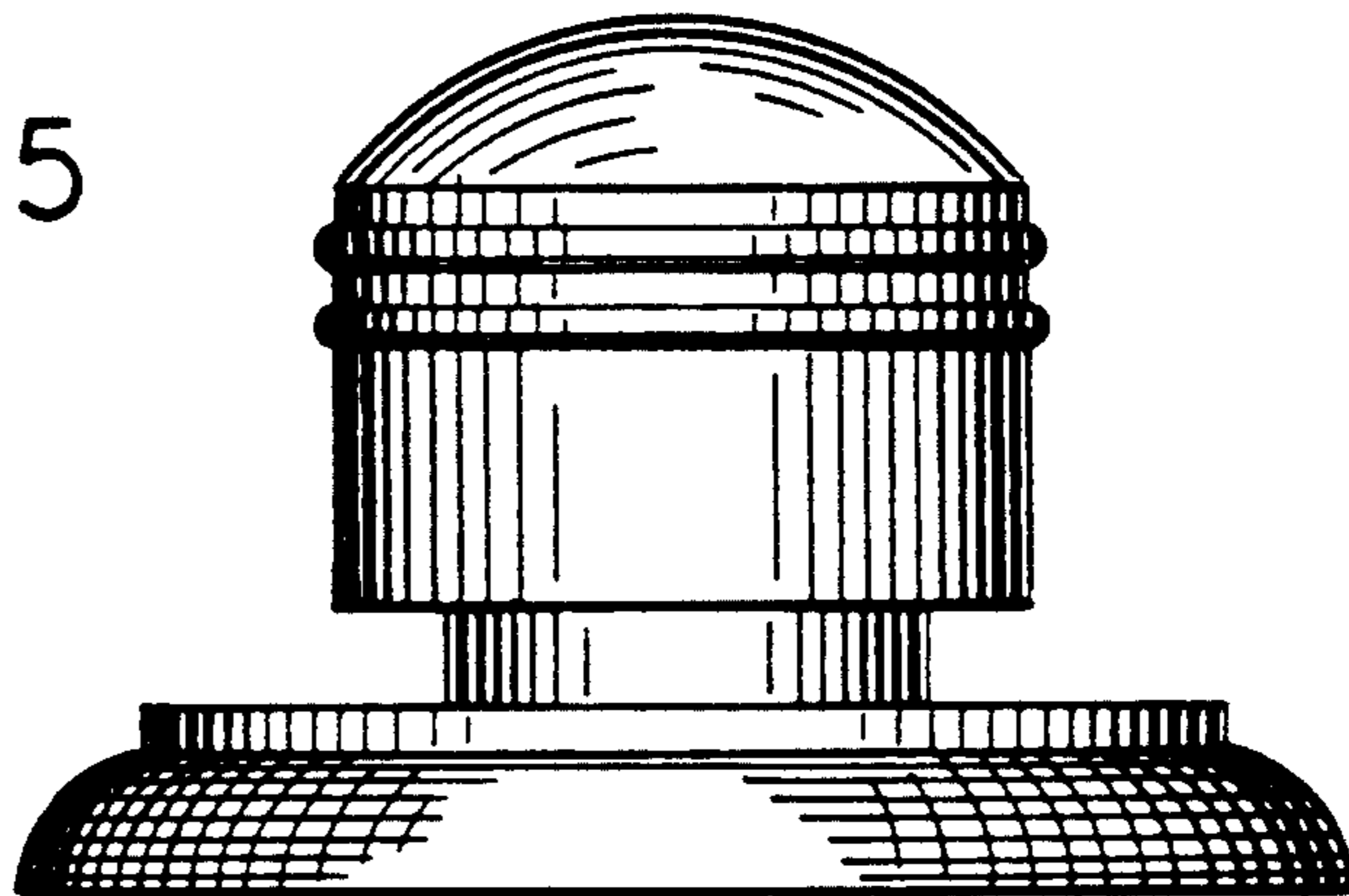


FIG. 6

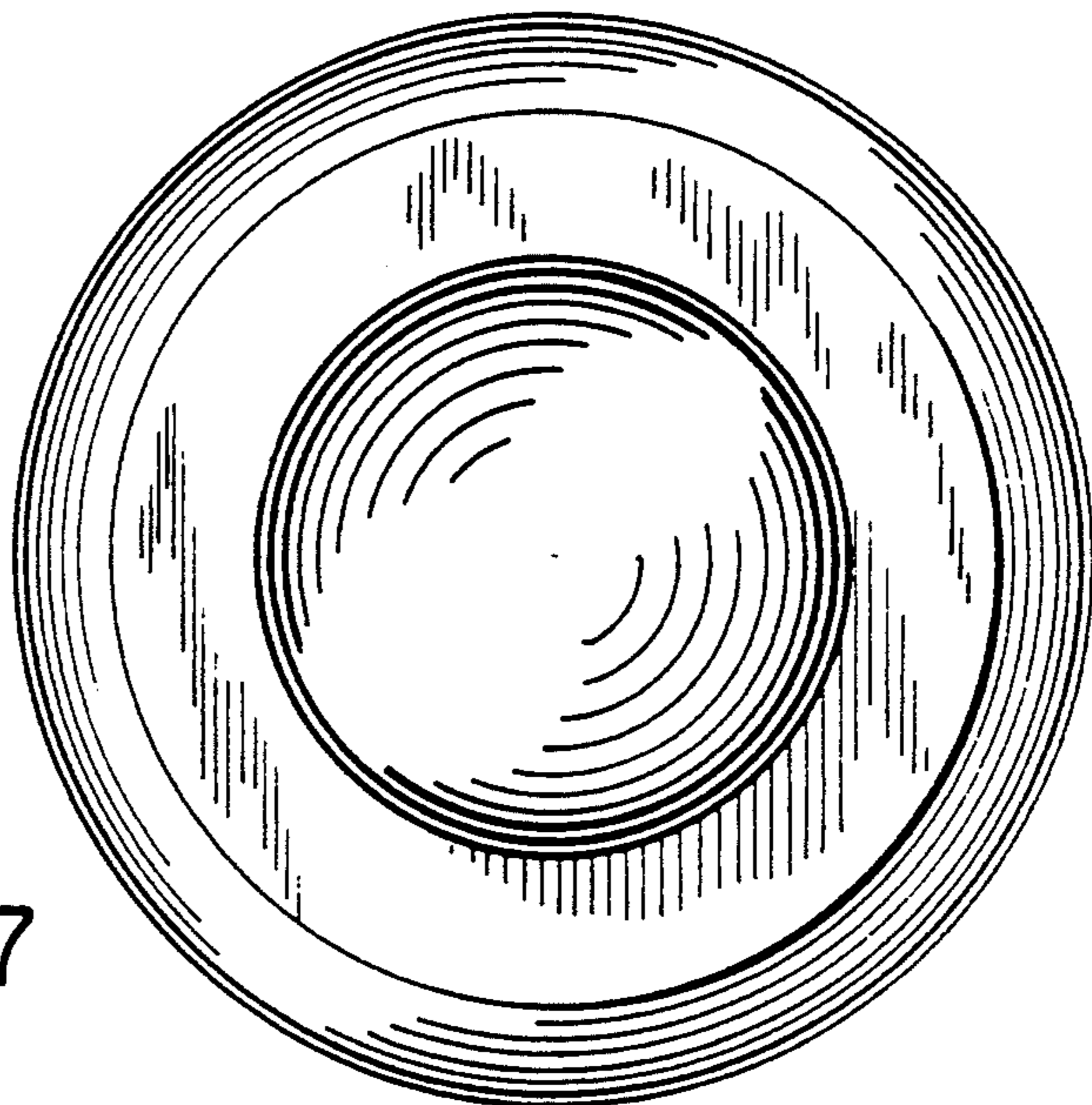


FIG. 7