



US00D345002S

United States Patent [19]

[11] Patent Number: **Des. 345,002**

Strayer et al.

[45] Date of Patent: **** Mar. 8, 1994**

[54] **COMBINED FRAME WITH GRIP FOR HANDGUNS**

3,815,270	6/1974	Pachmayr	42/71.02
3,901,125	8/1975	Raville	42/71.02
4,742,634	5/1988	Swenson	42/71.02

[76] Inventors: **Sandy L. Strayer**, 305 Hickok, Round Rock, Tex. 78681; **Virgil P. Tripp**, 8907 Sparkling Creek Circle, Austin, Tex. 78729

Primary Examiner—A. Hugo Word
Assistant Examiner—R. Seifert
Attorney, Agent, or Firm—James L. Jackson

[**] Term: **14 Years**

[57] **CLAIM**

[21] Appl. No.: **939,874**

The ornamental design for a combined frame with grip for handguns, as shown and described.

[22] Filed: **Sep. 8, 1992**

DESCRIPTION

[52] U.S. Cl. **D22/108; D22/104**

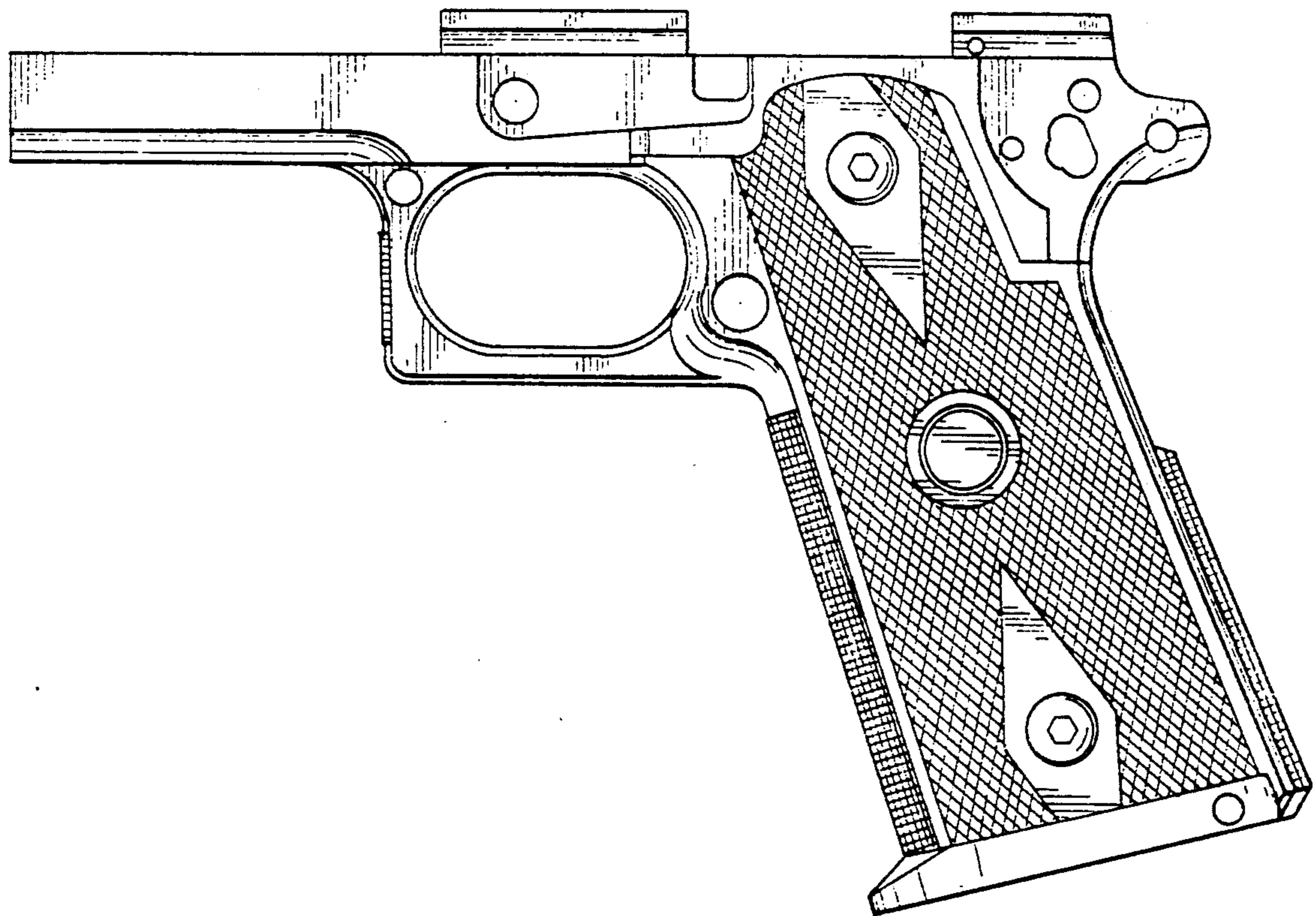
[58] Field of Search 42/59, 78, 79, 75.02, 42/75.03; D22/104, 108

FIG. 1 is an front view of a combined frame with grip for handguns showing our new design;
FIG. 2 is a side elevational view thereof;
FIG. 3 is an opposite side elevational view thereof;
FIG. 4 is a plan view thereof;
FIG. 5 is a bottom plan view thereof; and,
FIG. 6 is a rear elevational view thereof.

[56] **References Cited**

U.S. PATENT DOCUMENTS

D. 335,520 5/1993 Capone D22/108



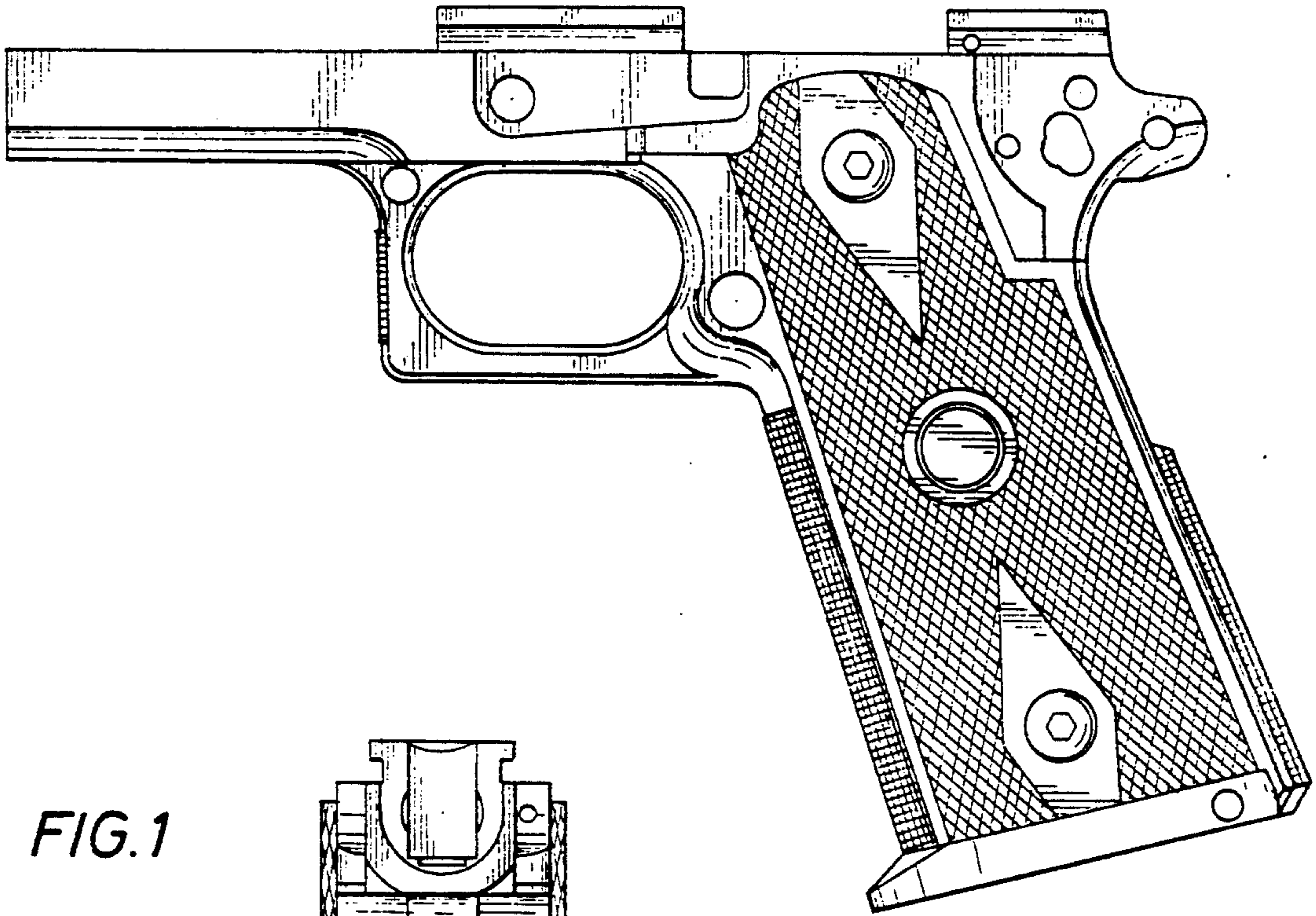


FIG. 1

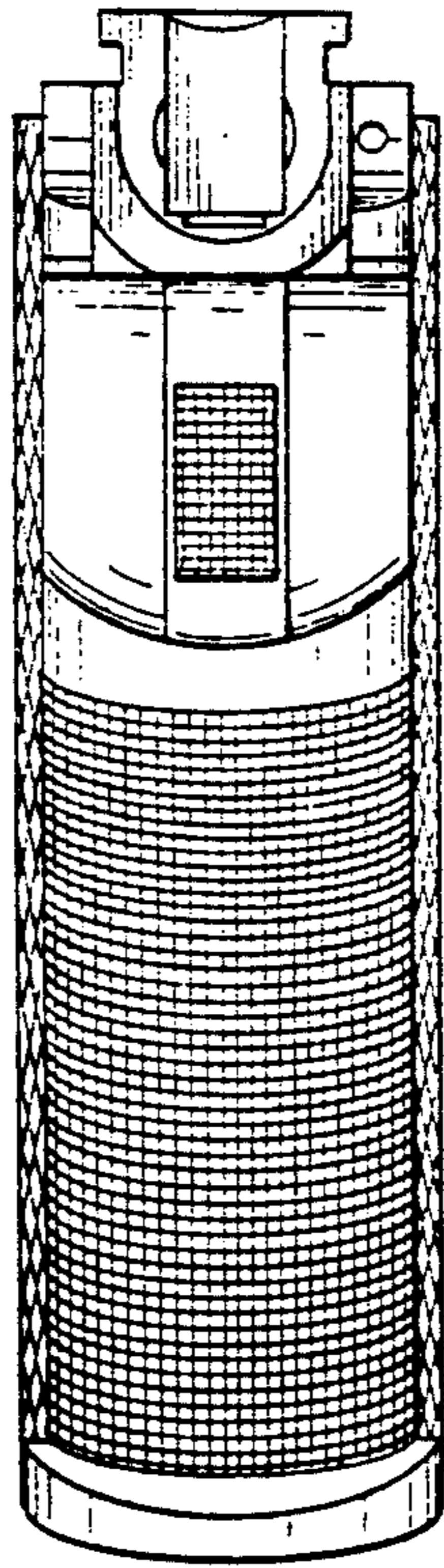


FIG. 2

FIG. 5

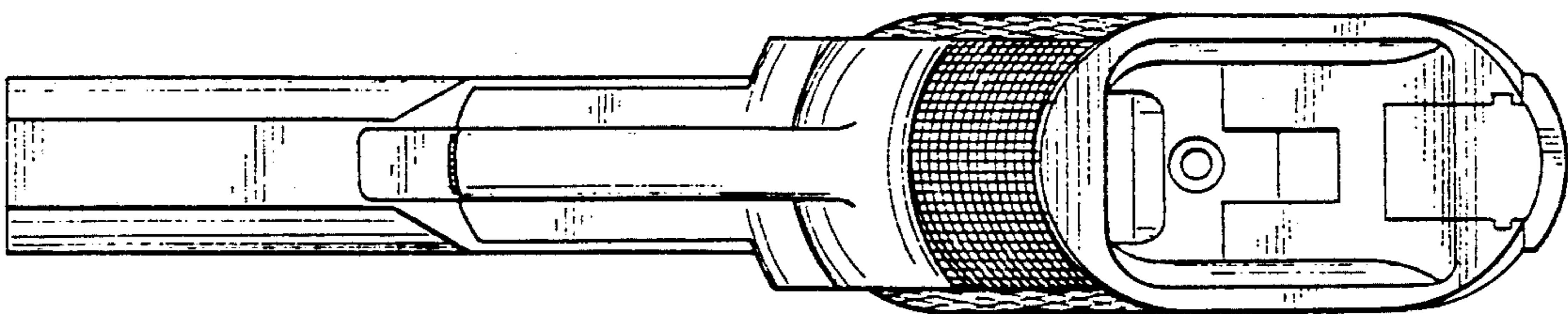


FIG. 4

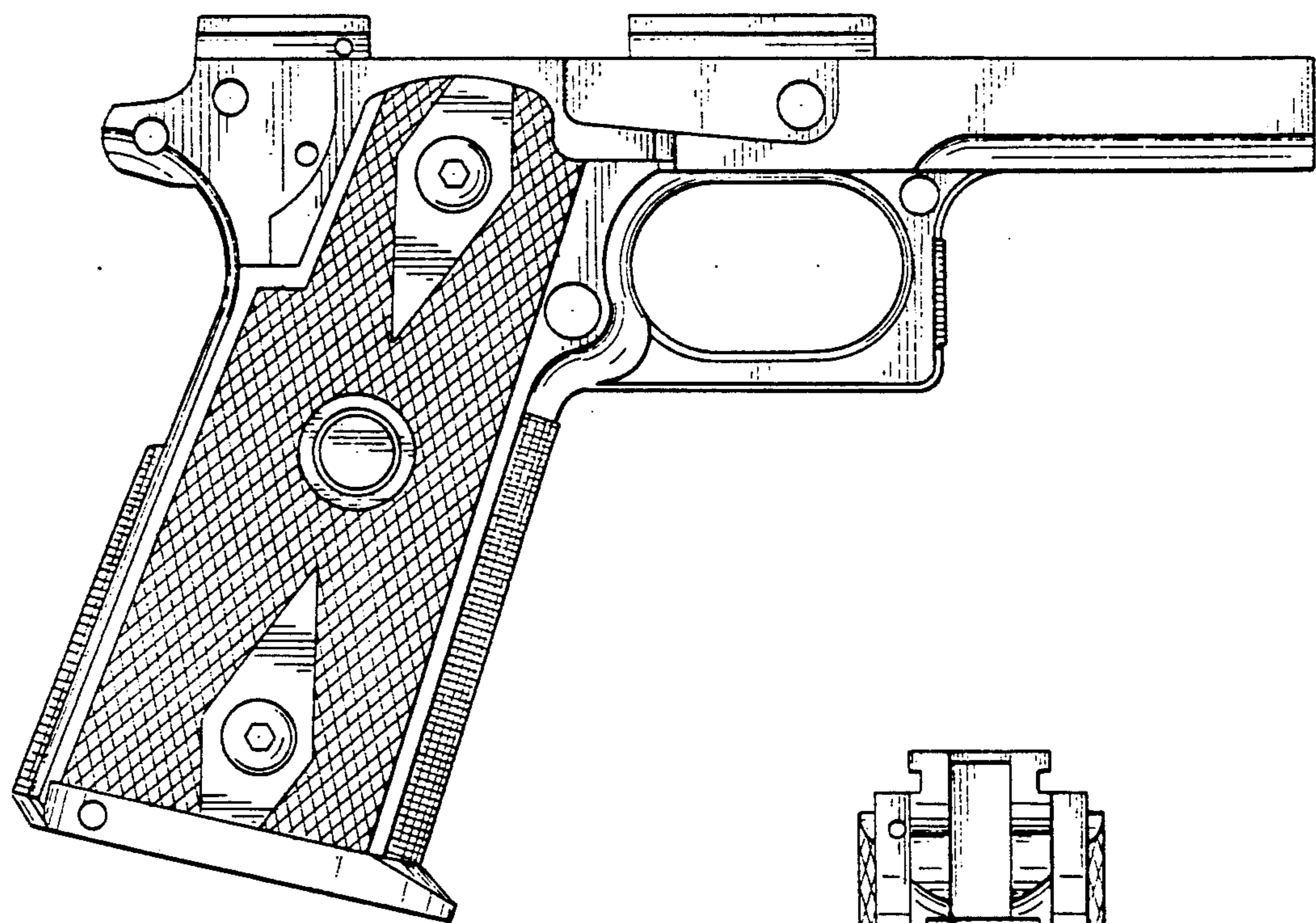
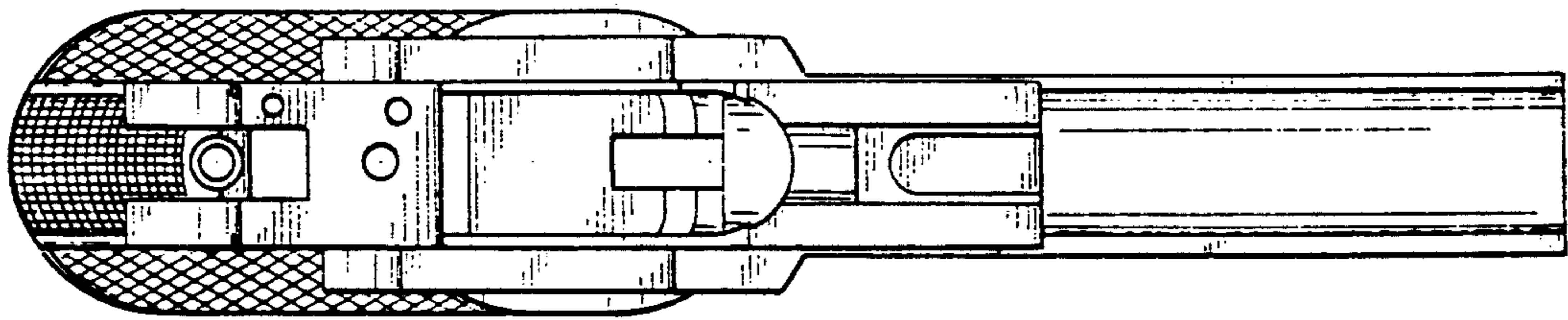


FIG. 3

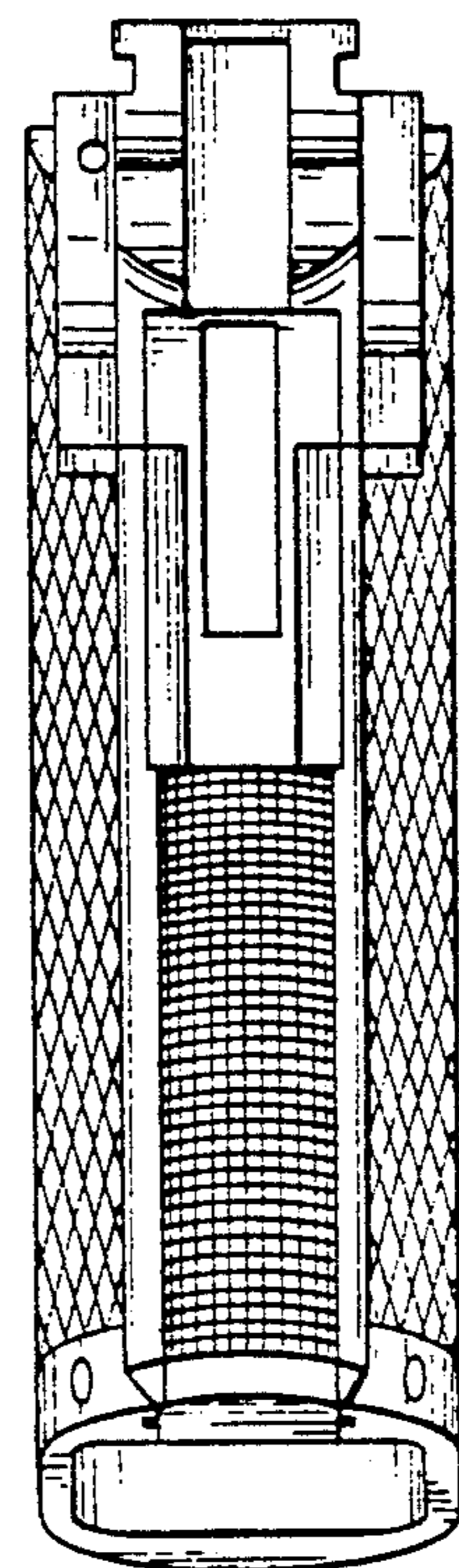


FIG. 6