



US00D344996S

# United States Patent [19]

[11] Patent Number: **Des. 344,996**

Nomura

[45] Date of Patent: **\*\* Mar. 8, 1994**

## [54] GOLF BALL DISPENSING AND TEEING MACHINE

[75] Inventor: **Akio Nomura**, Tokyo, Japan  
 [73] Assignee: **Taito Corporation**, Tokyo, Japan  
 [\*\*] Term: **14 Years**  
 [21] Appl. No.: **583,718**  
 [22] Filed: **Sep. 17, 1990**

### [30] Foreign Application Priority Data

Mar. 23, 1990 [JP] Japan ..... 2-9627  
 [52] U.S. Cl. .... **D21/208; D21/234**  
 [58] Field of Search ..... 273/201, 183.1, 195 R,  
 273/187 R, 187 A; D21/234, 208

### [56] References Cited

#### U.S. PATENT DOCUMENTS

2,675,237 4/1954 Willcox ..... 273/201  
 2,789,824 4/1957 Willcox ..... 273/201  
 3,112,932 12/1963 Marsh ..... 273/201  
 3,147,980 9/1964 Gollahon ..... 273/201  
 3,756,606 9/1973 Land ..... 273/201 X

#### OTHER PUBLICATIONS

Trademarks and Symbols vol. 2: Symbolical Designs by Y. Kuwayama ©1973, p. 37, horse symbols #254 and 253.

Primary Examiner—Bernard Ansher

Assistant Examiner—Lucy Lieberman  
 Attorney, Agent, or Firm—Thomas R. Morrison

### [57] CLAIM

The ornamental design for a golf ball dispensing and teeing machine, as shown and described.

### DESCRIPTION

FIG. 1 is a front view of a golf ball dispensing and teeing machine;  
 FIG. 2 is a top plan view thereof;  
 FIG. 3 is a bottom view thereof;  
 FIG. 4 is a rear view thereof;  
 FIG. 5 is a left side view thereof;  
 FIG. 6 is a right side view thereof;  
 FIG. 7 is a perspective view thereof;  
 FIG. 8 is a perspective view of the golf ball dispensing and teeing machine shown with the ball dispensing arm in an extended position;  
 FIG. 9 is a front view of a second embodiment of the golf ball dispensing and teeing machine;  
 FIG. 10 is a rear view of FIG. 9;  
 FIG. 11 is a perspective view of FIG. 9;  
 FIG. 12 is a fragmentary front view of FIG. 9 shown on an enlarged scale; and,  
 FIG. 13 is a fragmentary rear view of FIG. 9 shown on an enlarged scale.  
 The side views and the top and bottom plan views of the second embodiment are the same as the first embodiment.

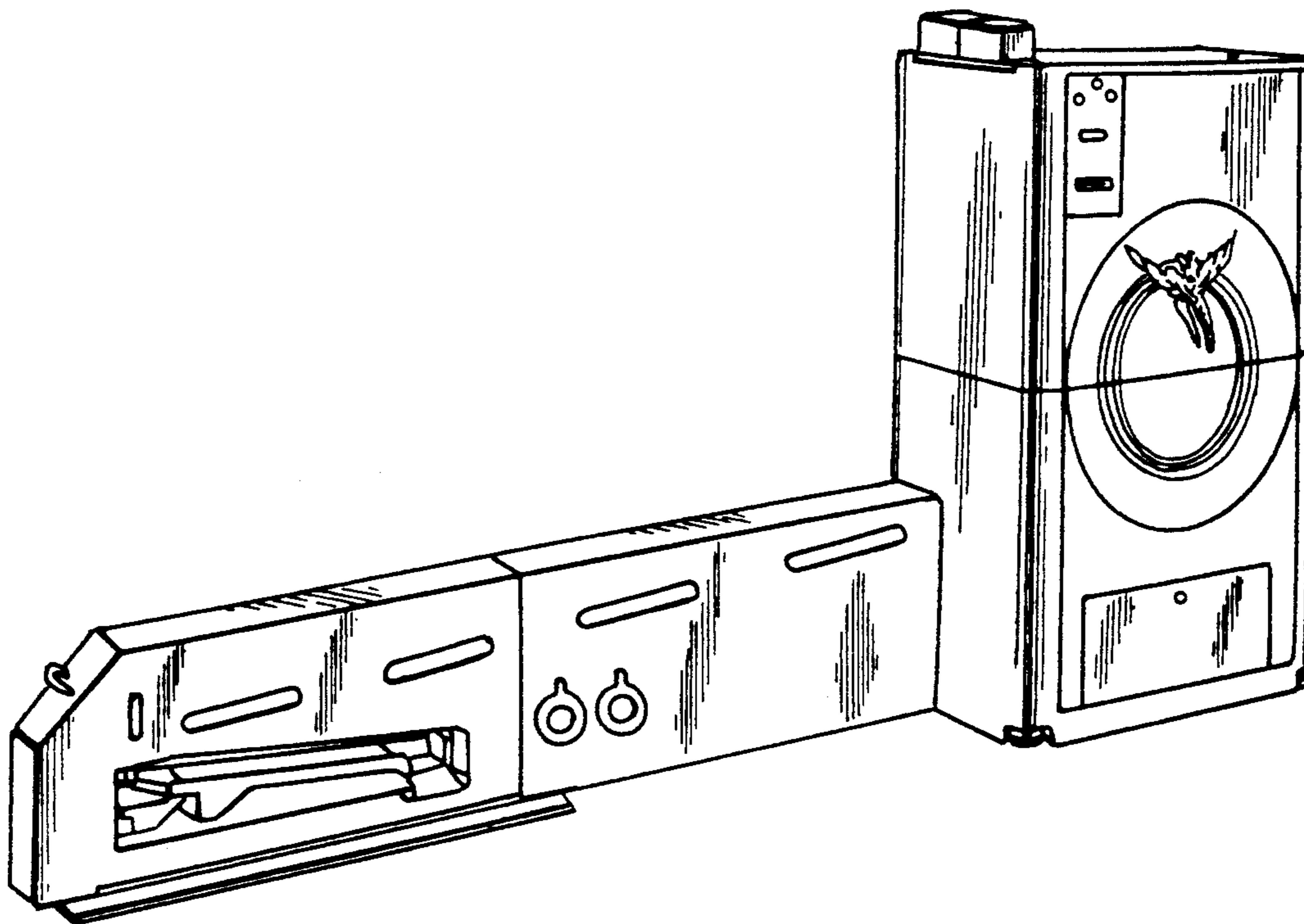


FIG. 1

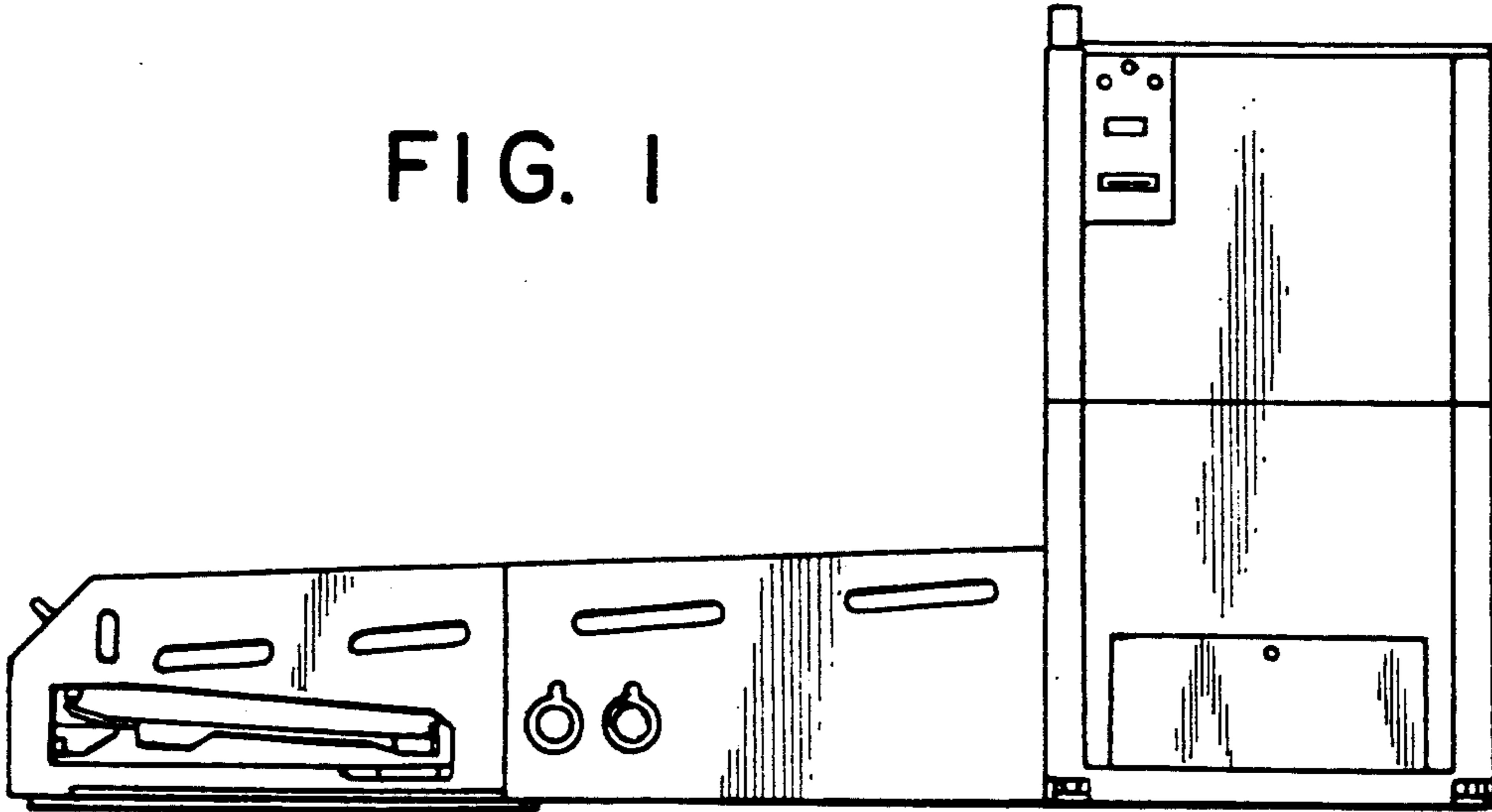


FIG. 2

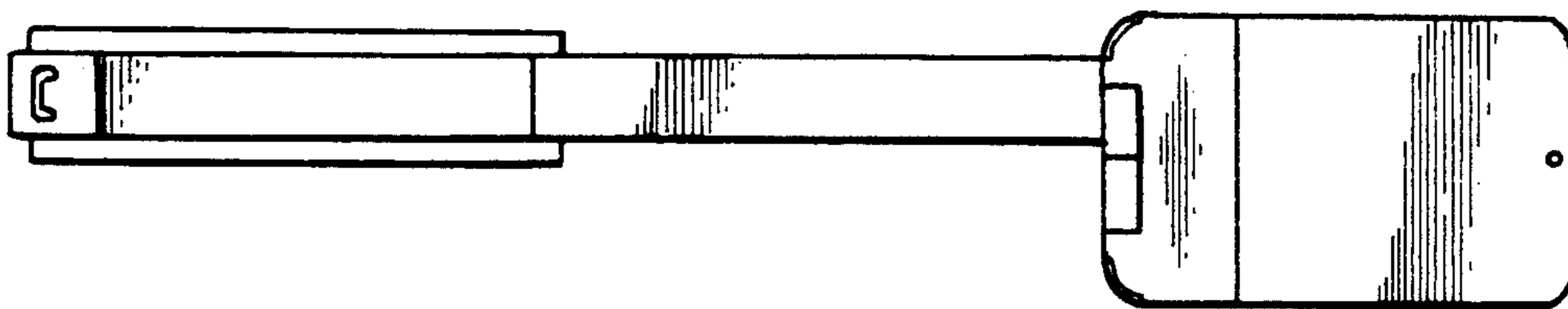
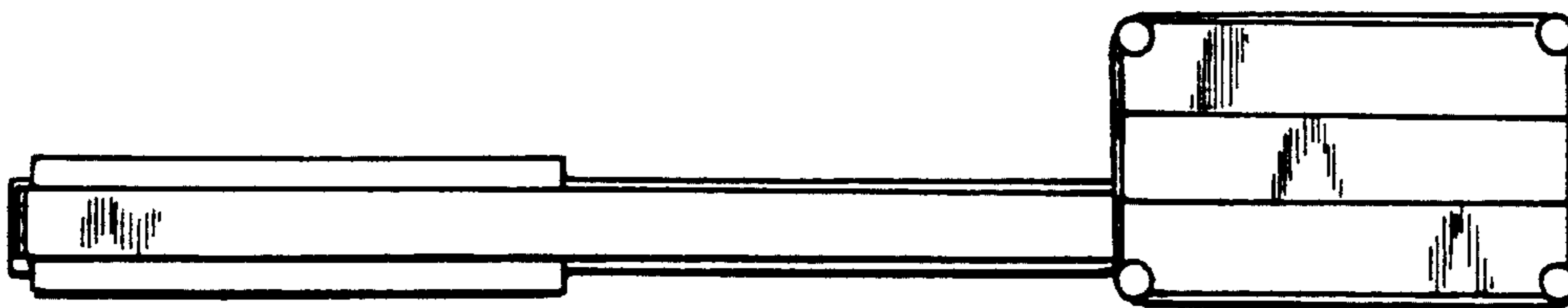


FIG. 3



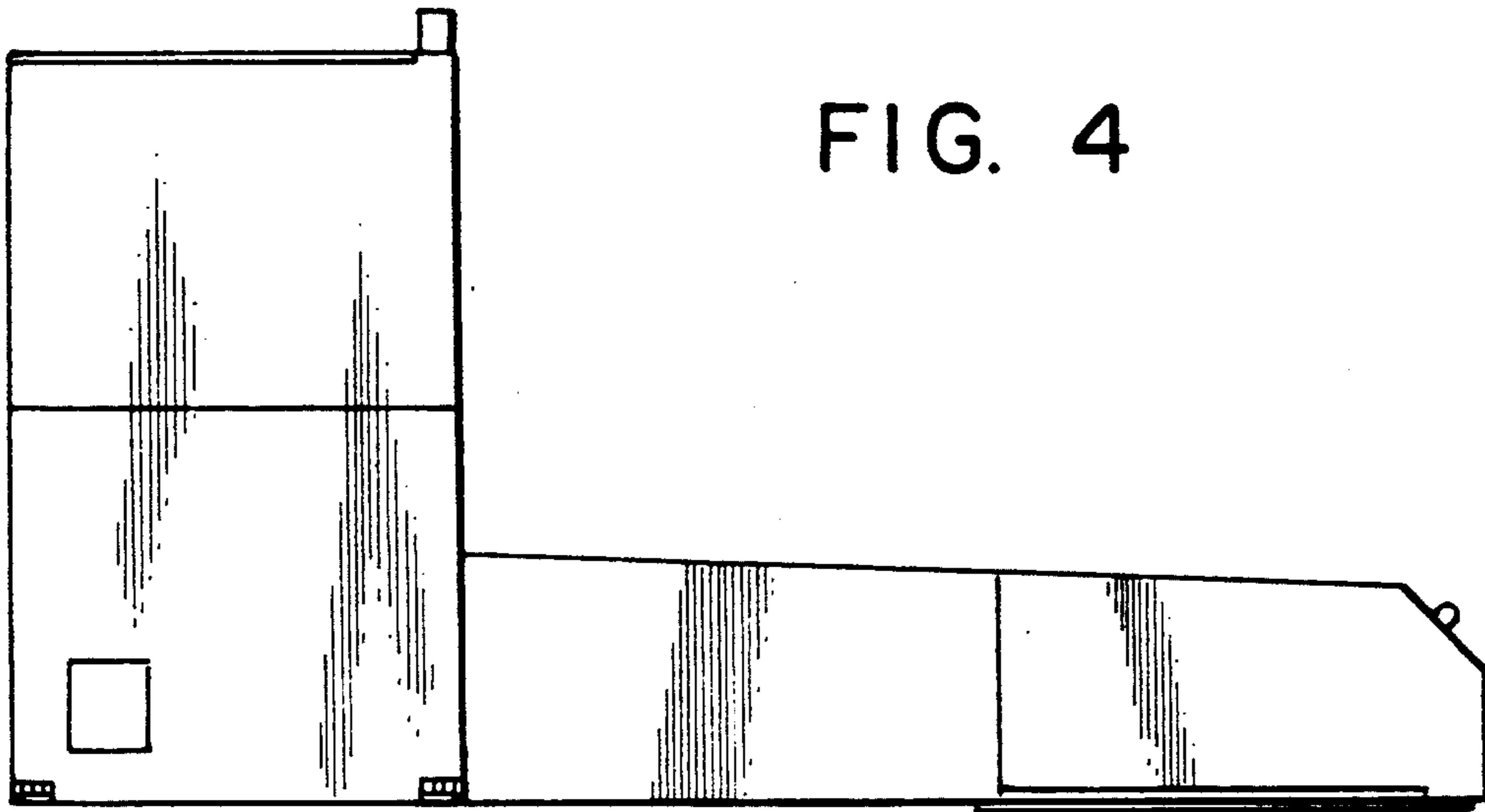


FIG. 5

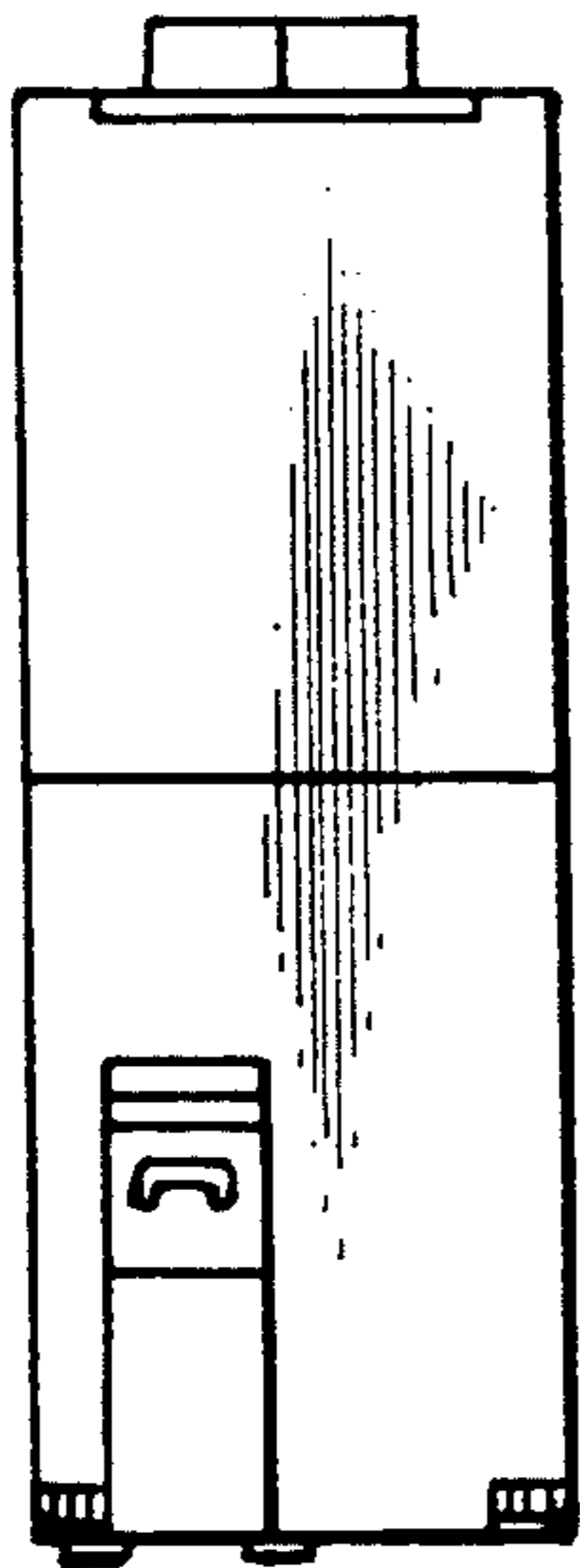


FIG. 6

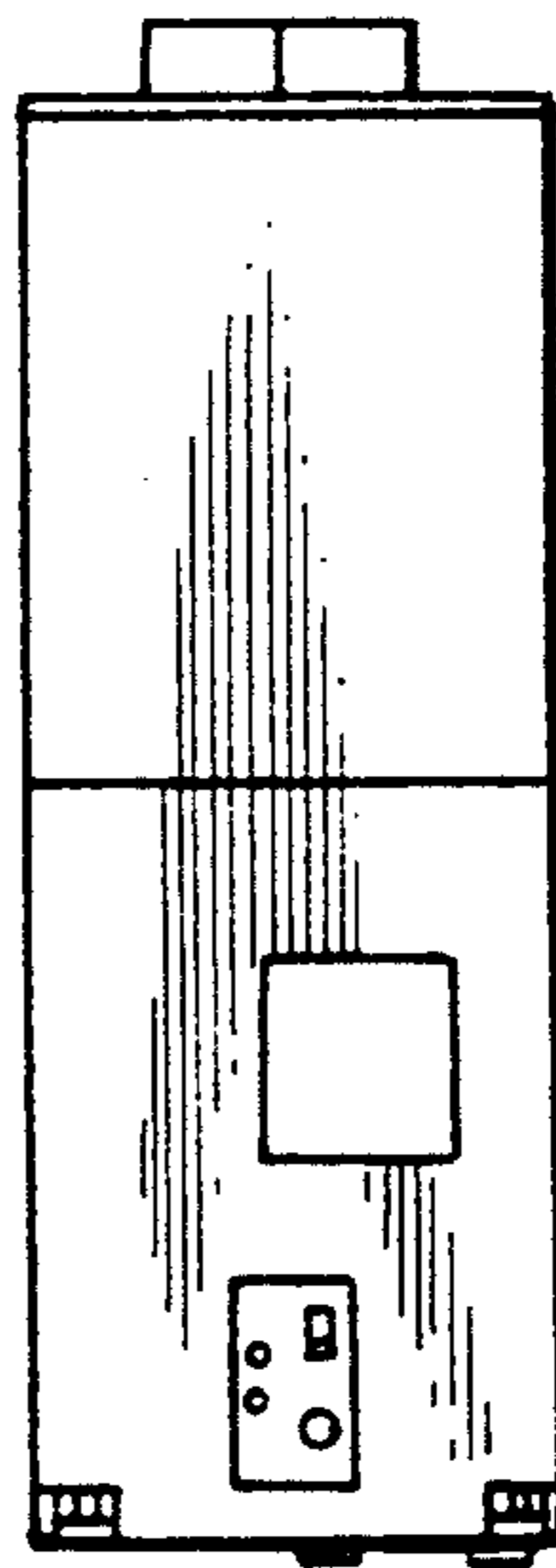


FIG. 7

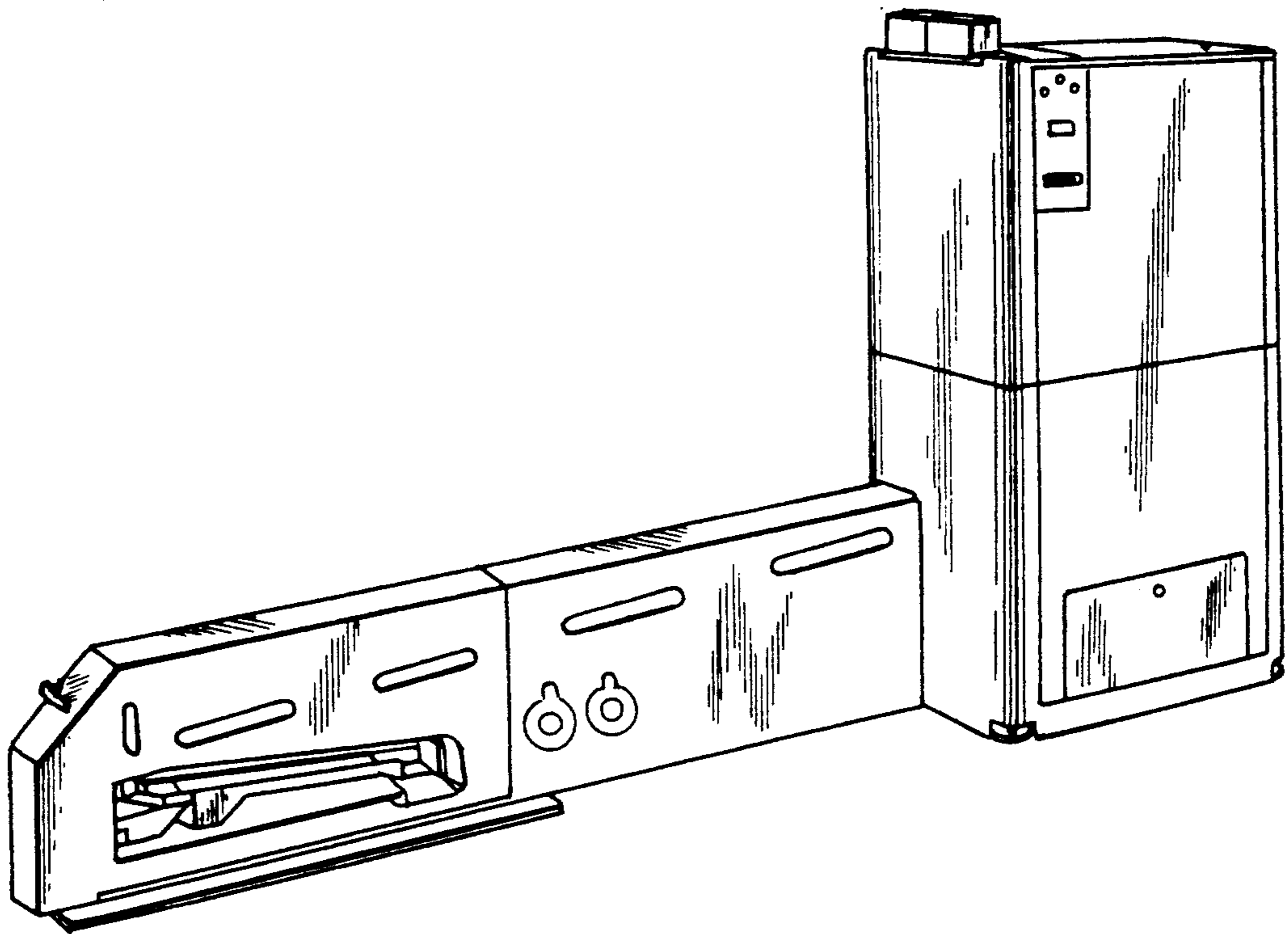


FIG. 8

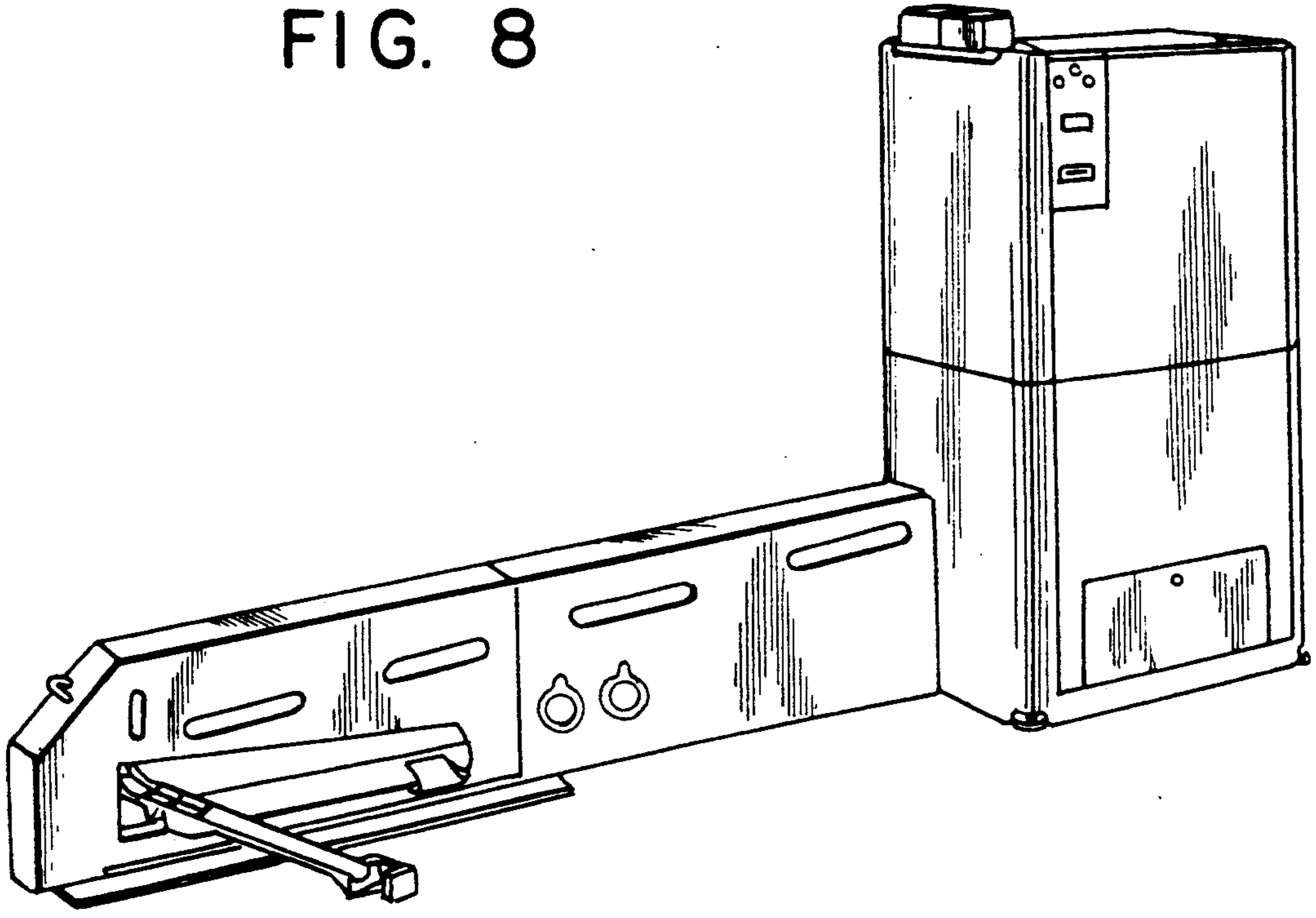


FIG. 9

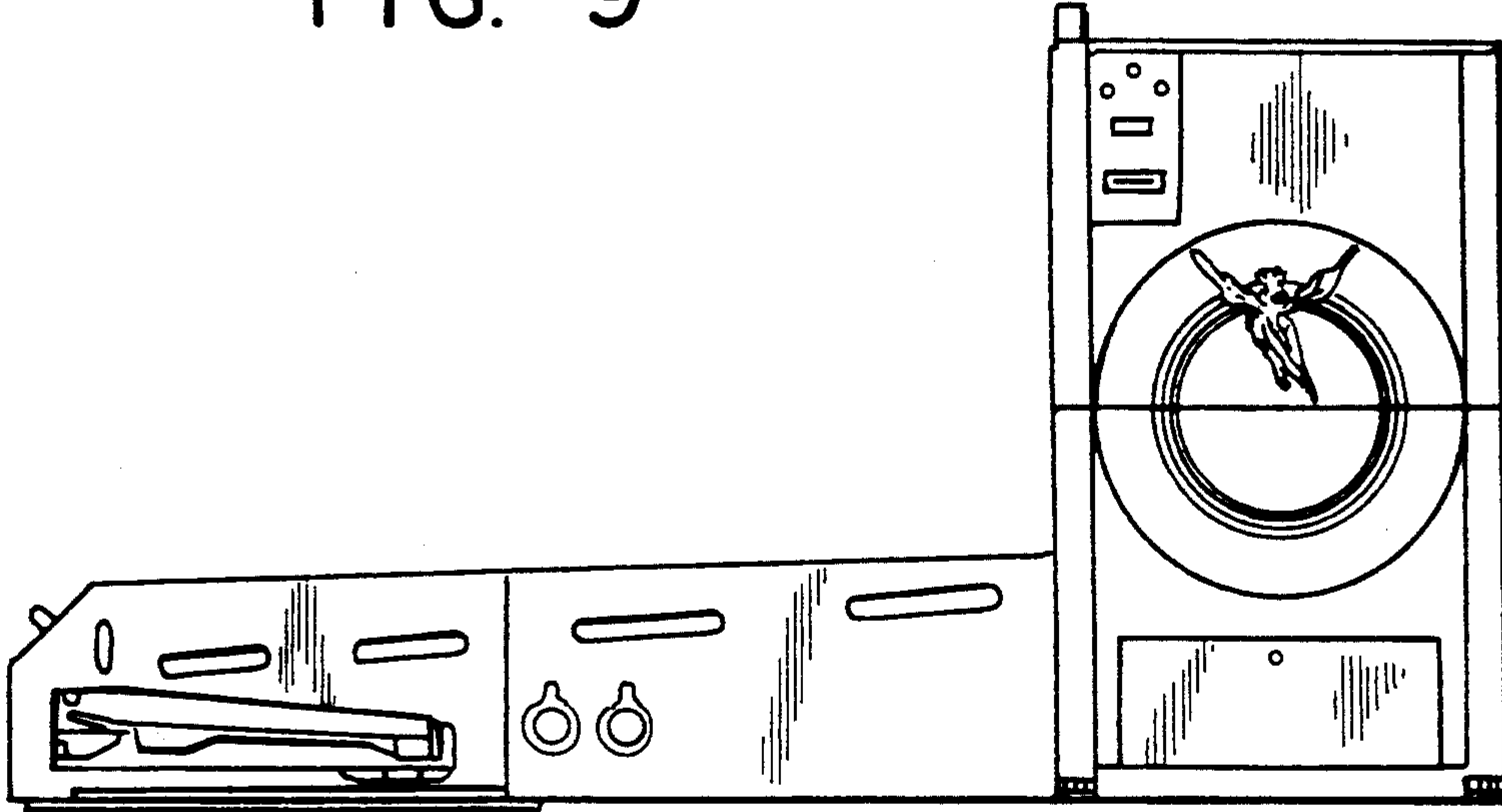


FIG. 10

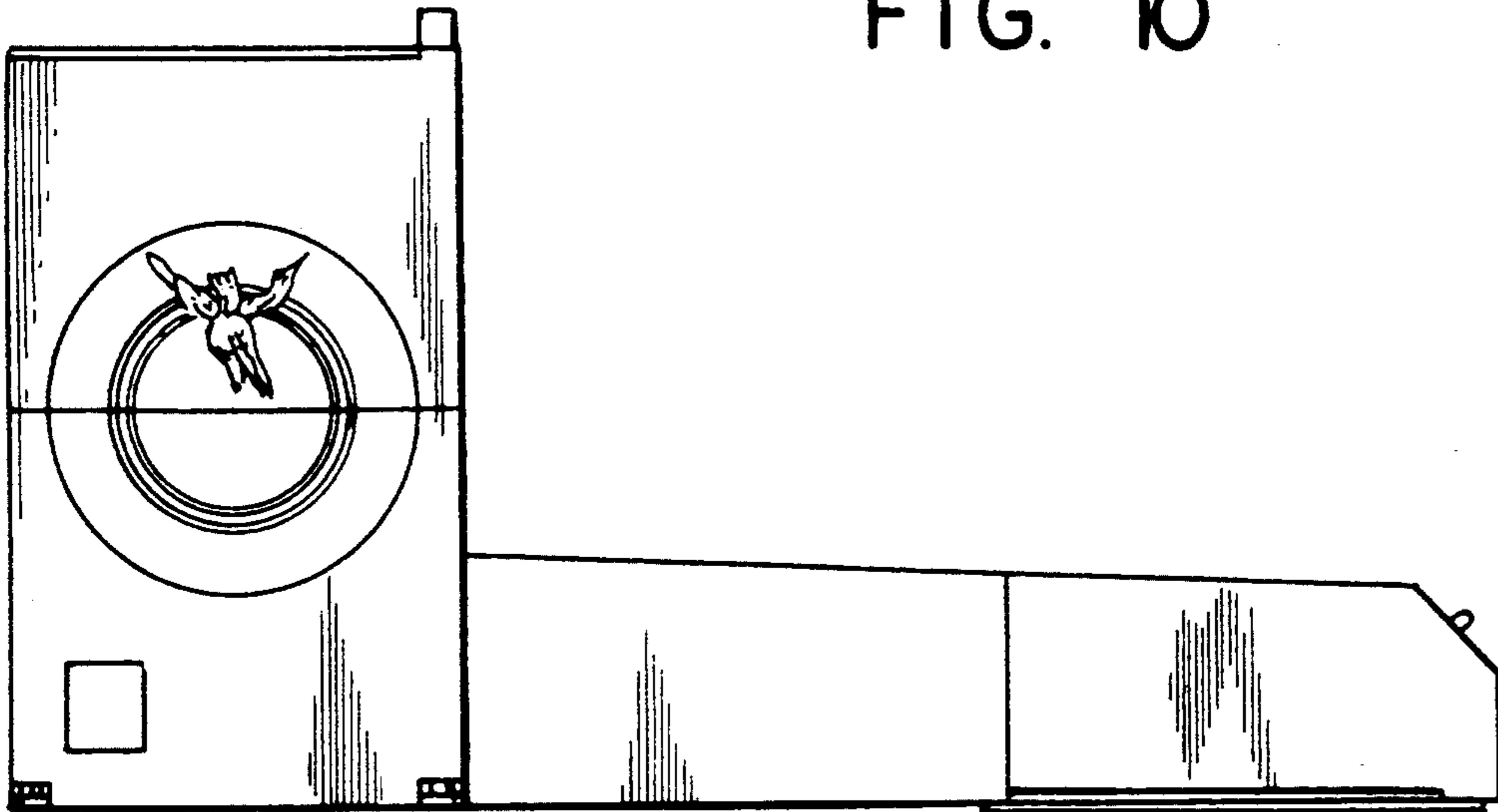


FIG. II

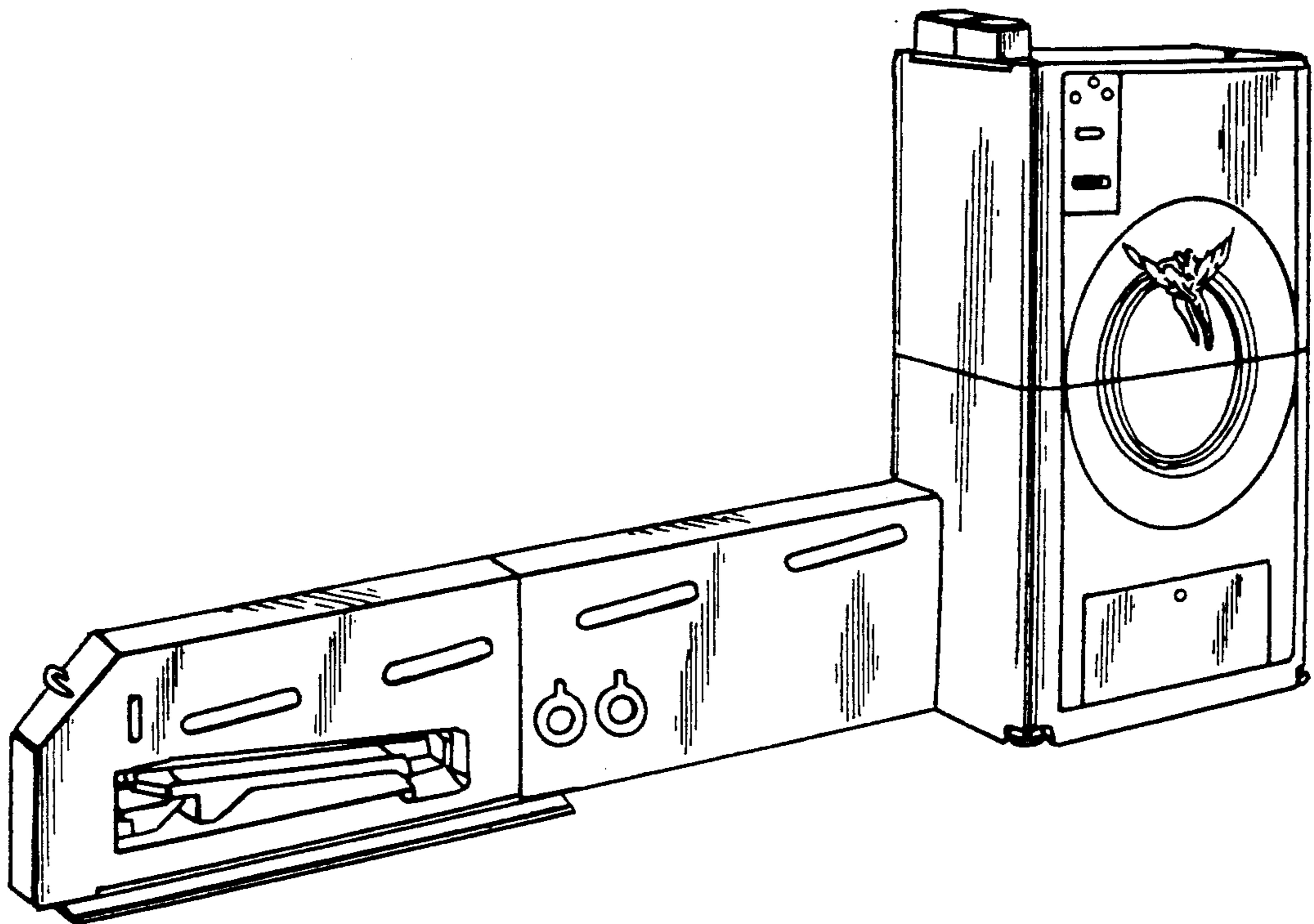


FIG. 13

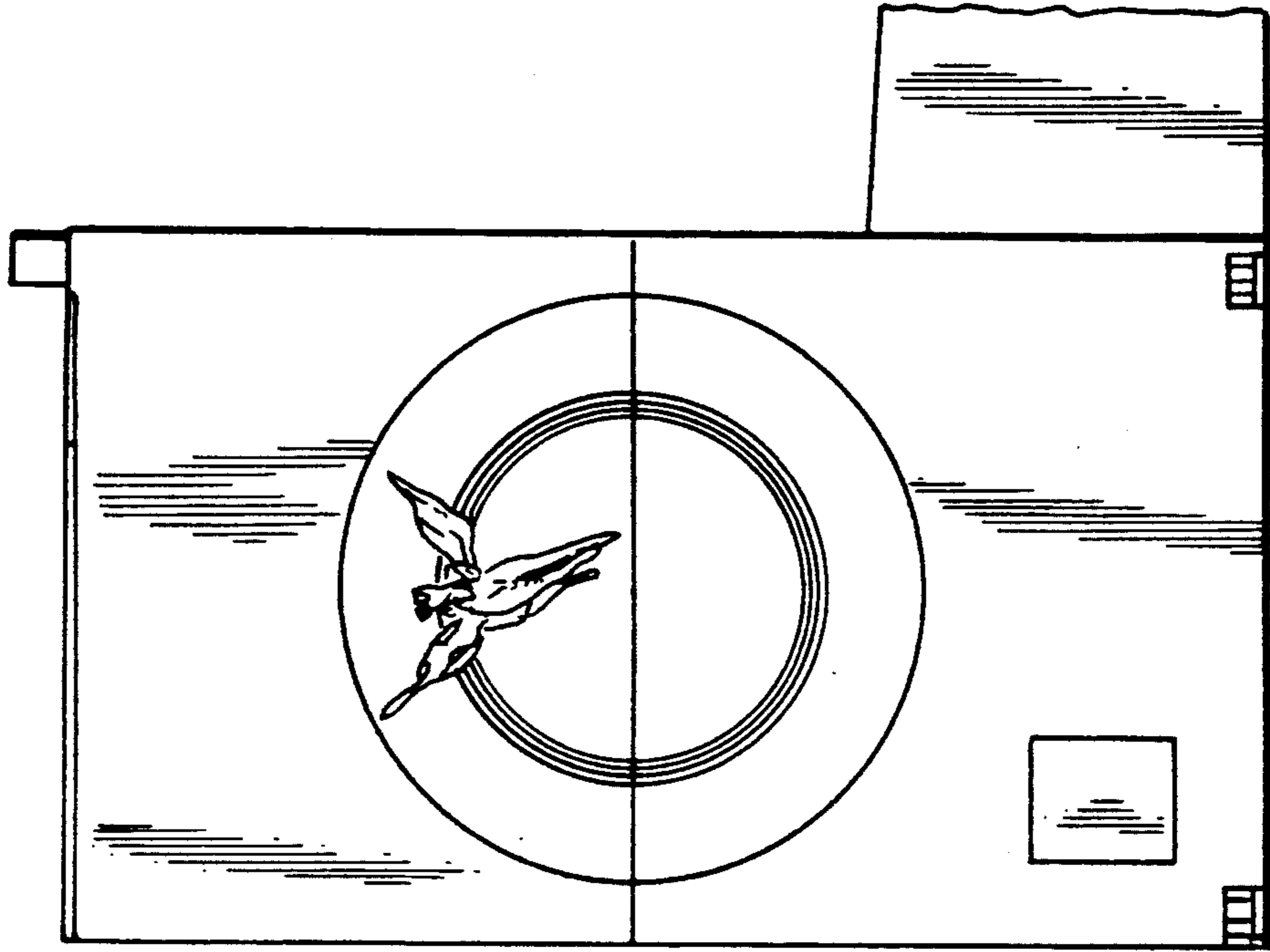


FIG. 12

