



US00D344994S

United States Patent [19]

[11] Patent Number: **Des. 344,994**

Chi

[45] Date of Patent: **** Mar. 8, 1994**

[54] **COMBINED STEPPER AND SIMULATED SKIING EXERCISER**

D. 328,625	8/1992	Arthur et al.	D21/195
4,813,667	3/1989	Watterson	482/70
5,078,389	1/1992	Chen	482/71

[75] Inventor: **Liang-Cheng Chi, Fengyuan City, Taiwan**

Primary Examiner—Bernard Ansher
Assistant Examiner—Philip Hyder
Attorney, Agent, or Firm—Finnegan, Henderson, Farabow, Garrett & Dunner

[73] Assignee: **Alpha Cycle Product Co., Ltd., Fengyuan City, Taiwan**

[**] Term: **14 Years**

[57] **CLAIM**

[21] Appl. No.: **948,941**

The ornamental design for combined stepper and simulated skiing exerciser, as shown and described.

[22] Filed: **Sep. 15, 1992**

DESCRIPTION

[52] U.S. Cl. **D21/195; D21/191**

FIG. 1 is a perspective view of combined stepper and simulated skiing exerciser showing my new design in the stepper configuration;

[58] Field of Search **482/70, 71, 72, 73, 482/51, 52, 53; D21/191, 194, 195**

FIG. 2 is a front elevational view thereof;

FIG. 3 is a rear elevational view thereof;

FIG. 4 is a left side elevational view thereof;

FIG. 5 is a right side elevational view thereof;

FIG. 6 is a top plan view thereof;

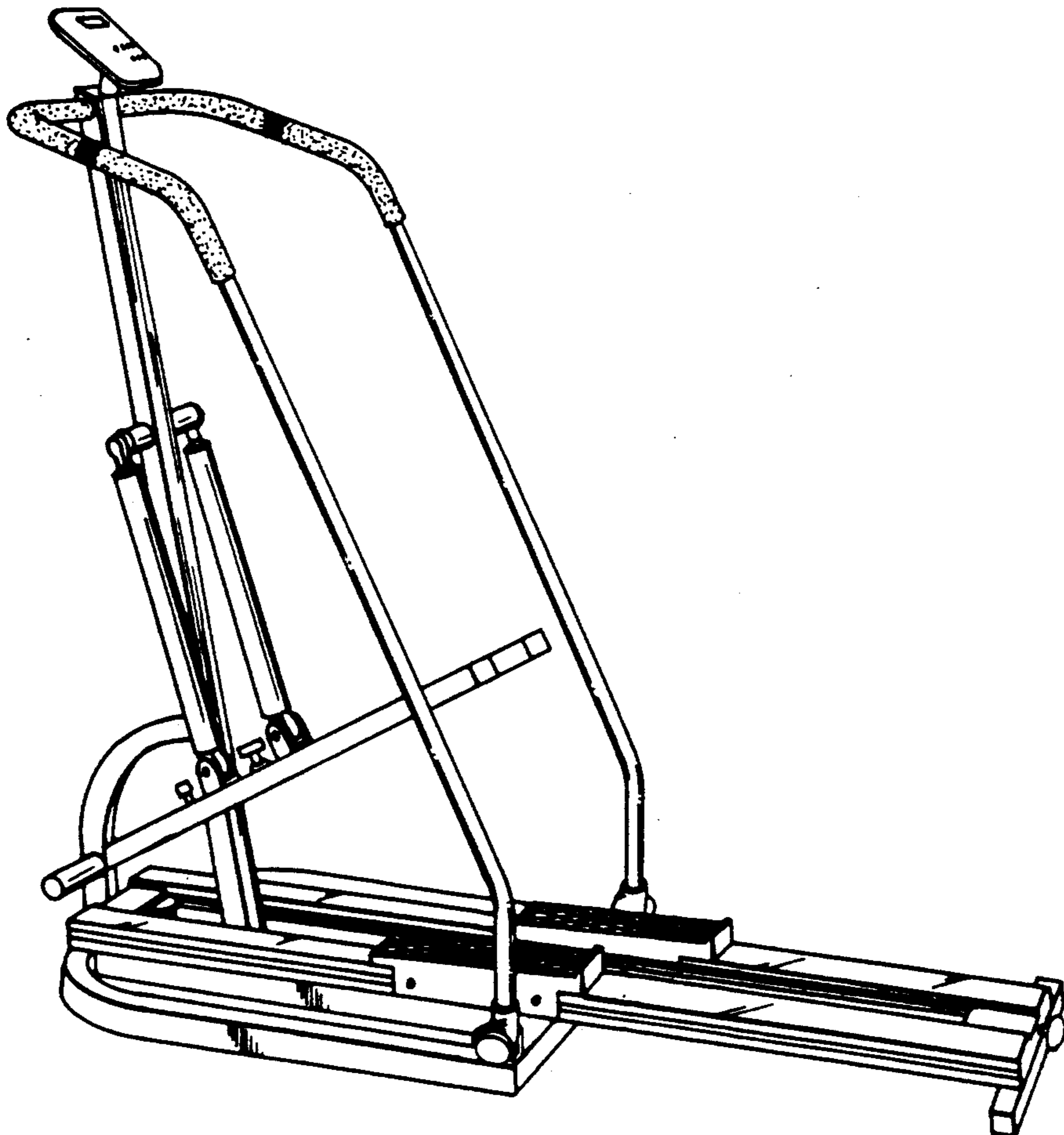
FIG. 7 is a bottom plan view thereof; and,

FIG. 8 is a perspective view thereof in the simulated skiing exerciser configuration.

[56] **References Cited**

U.S. PATENT DOCUMENTS

D. 299,369	1/1989	Smith et al.	D21/191
D. 304,358	10/1989	Armstrong et al.	D21/195
D. 315,764	3/1991	Friedebach	D21/191
D. 319,855	9/1991	Bull	D21/195
D. 321,388	11/1991	Dalebout	D21/195



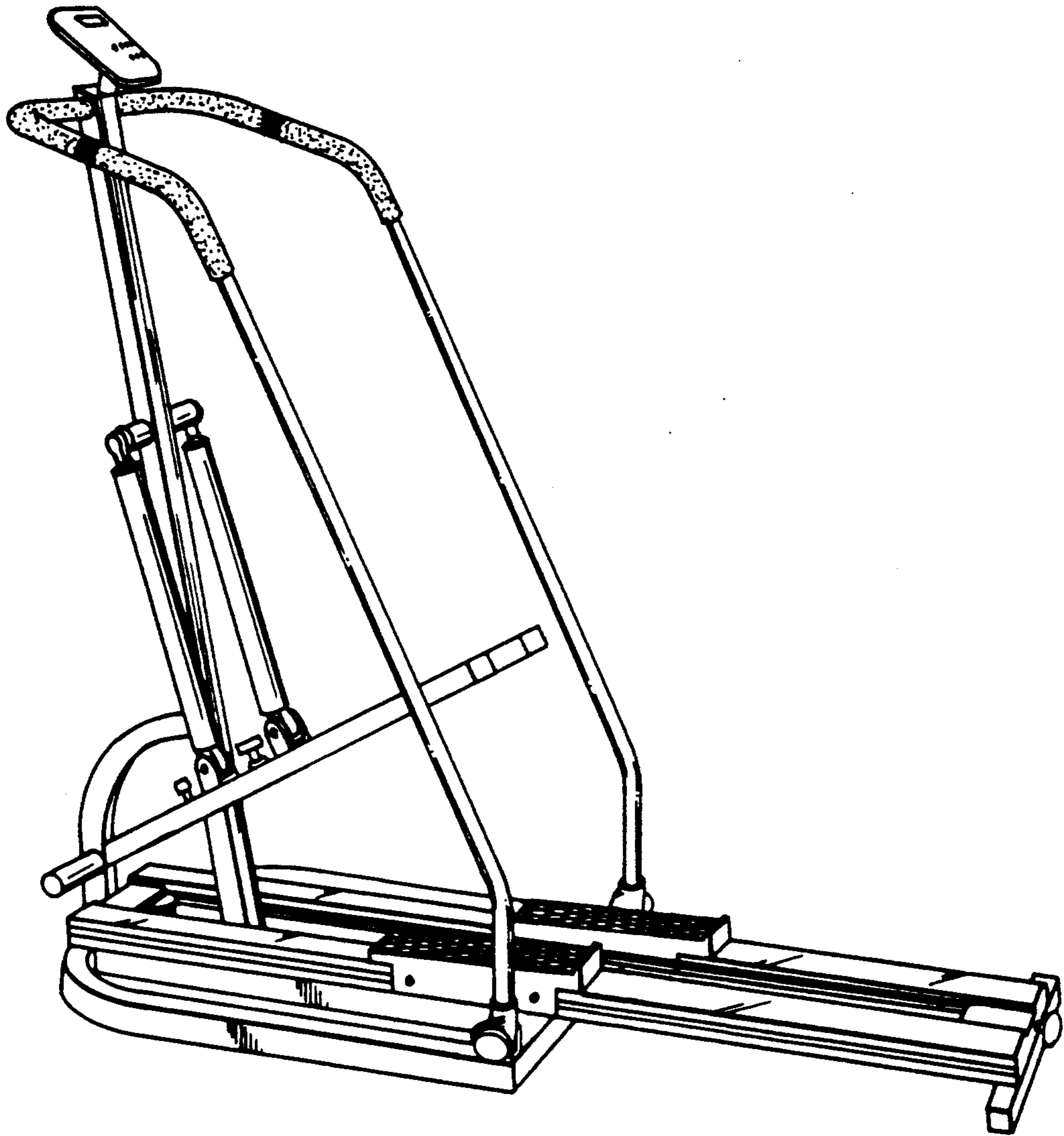


FIG. 1

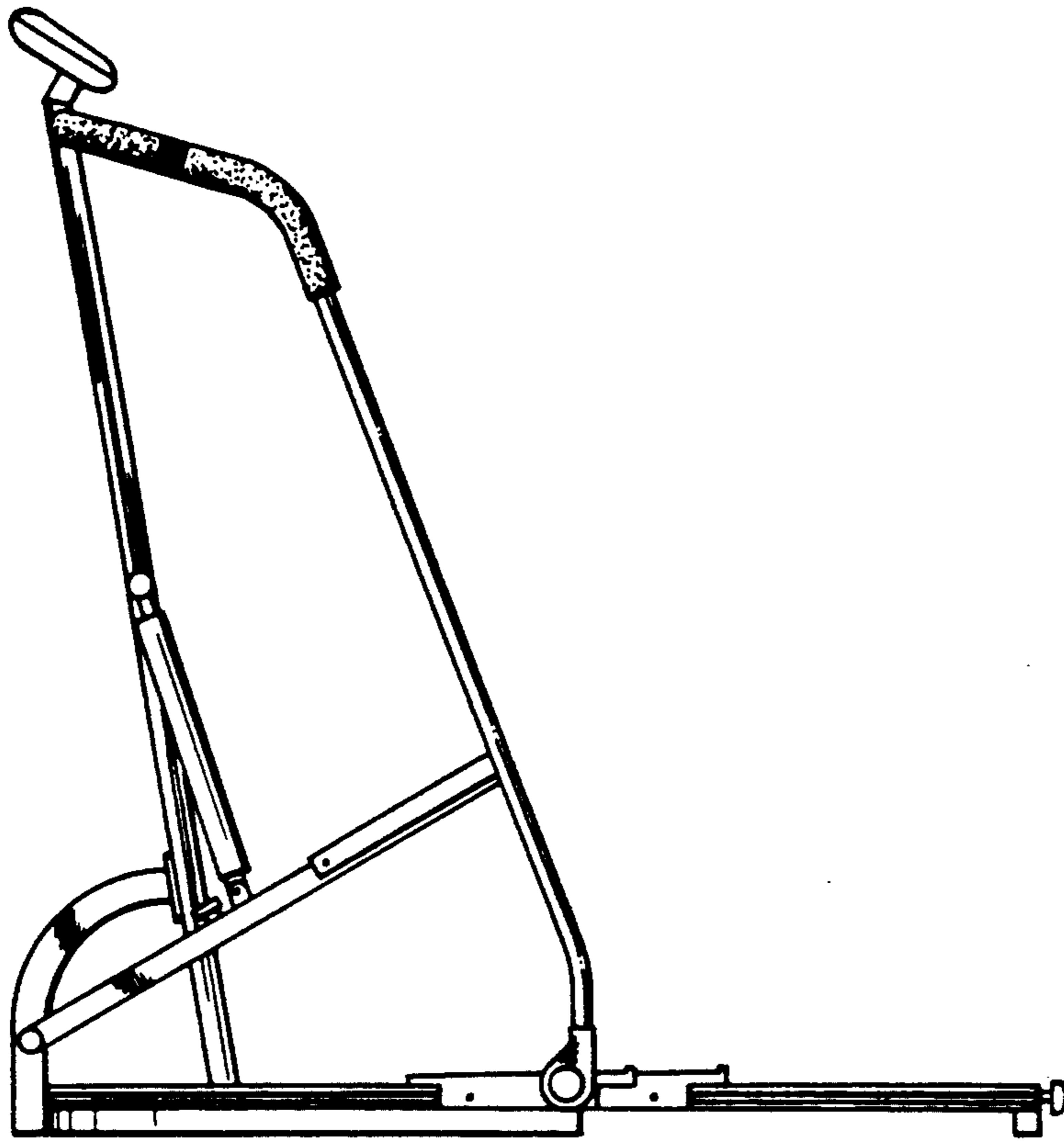


FIG. 2

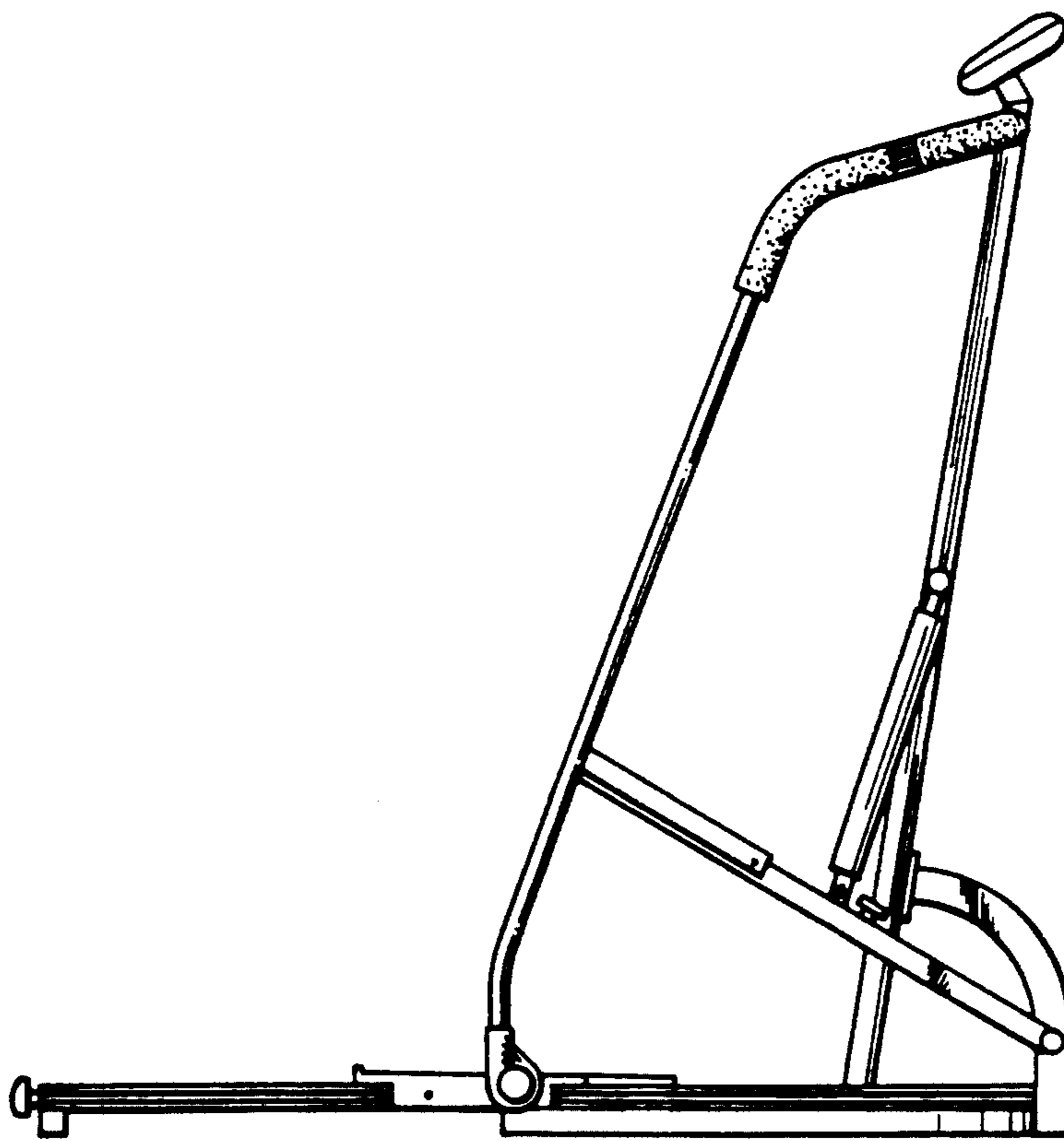


FIG. 3

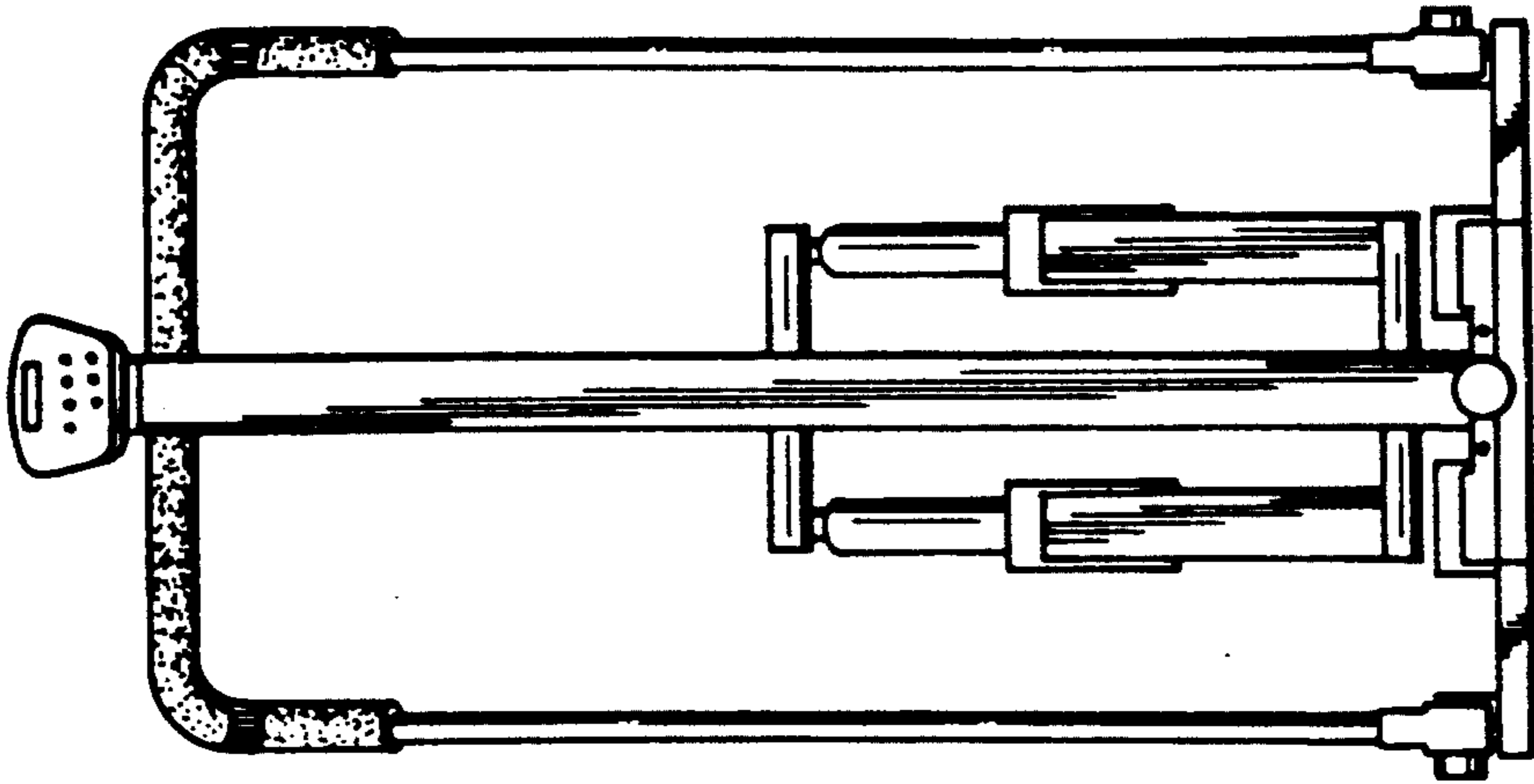


FIG. 5

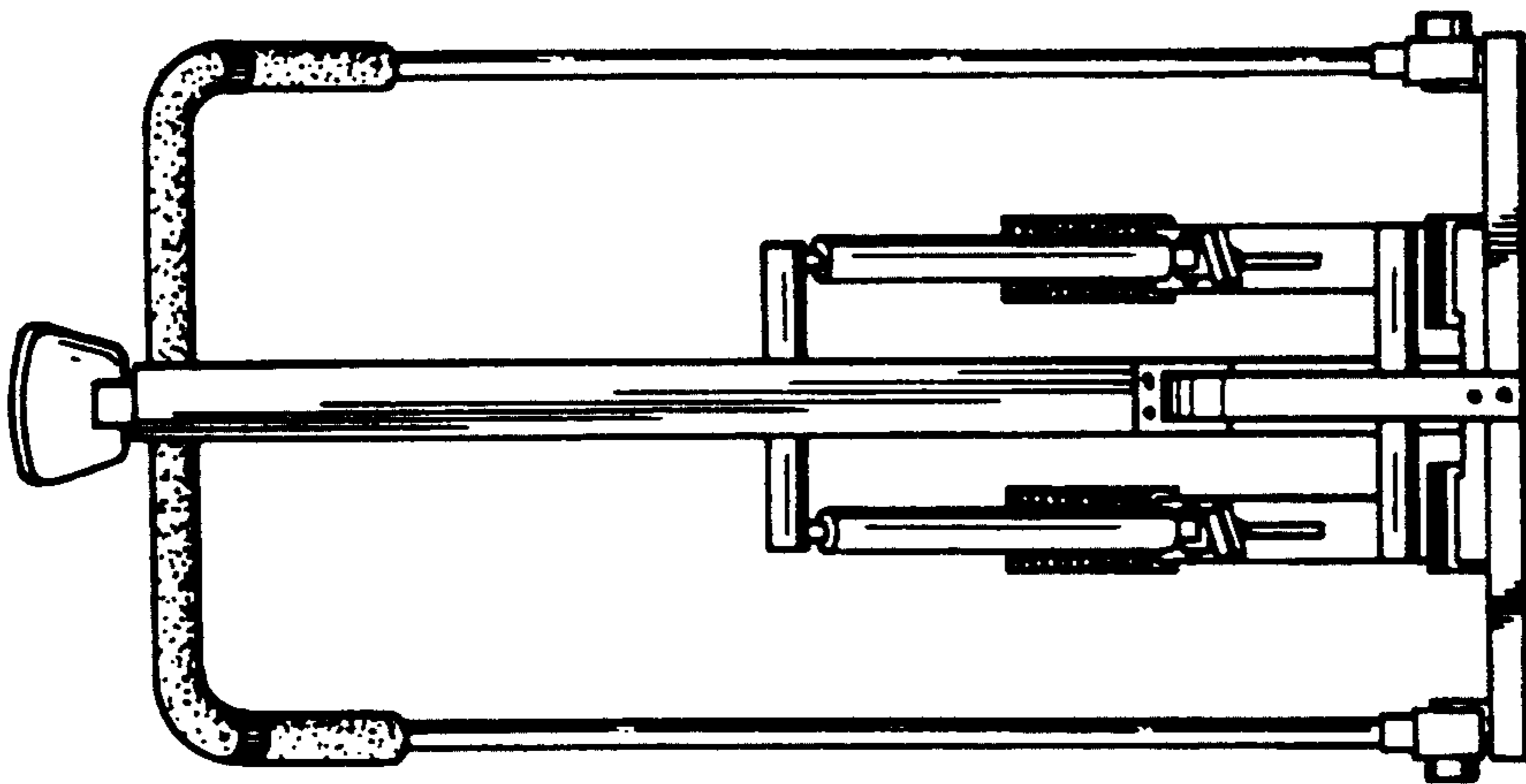


FIG. 4

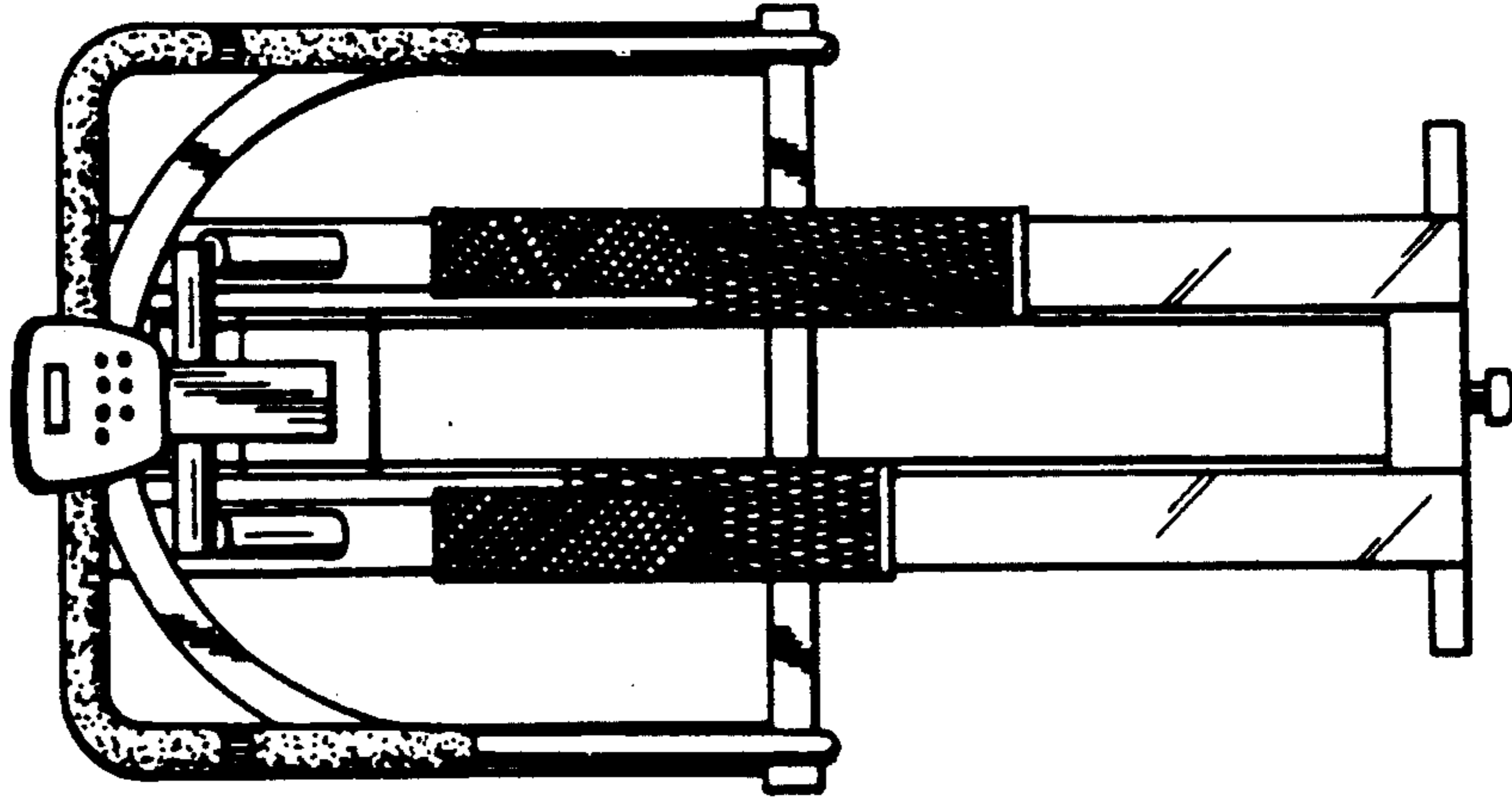


FIG. 6

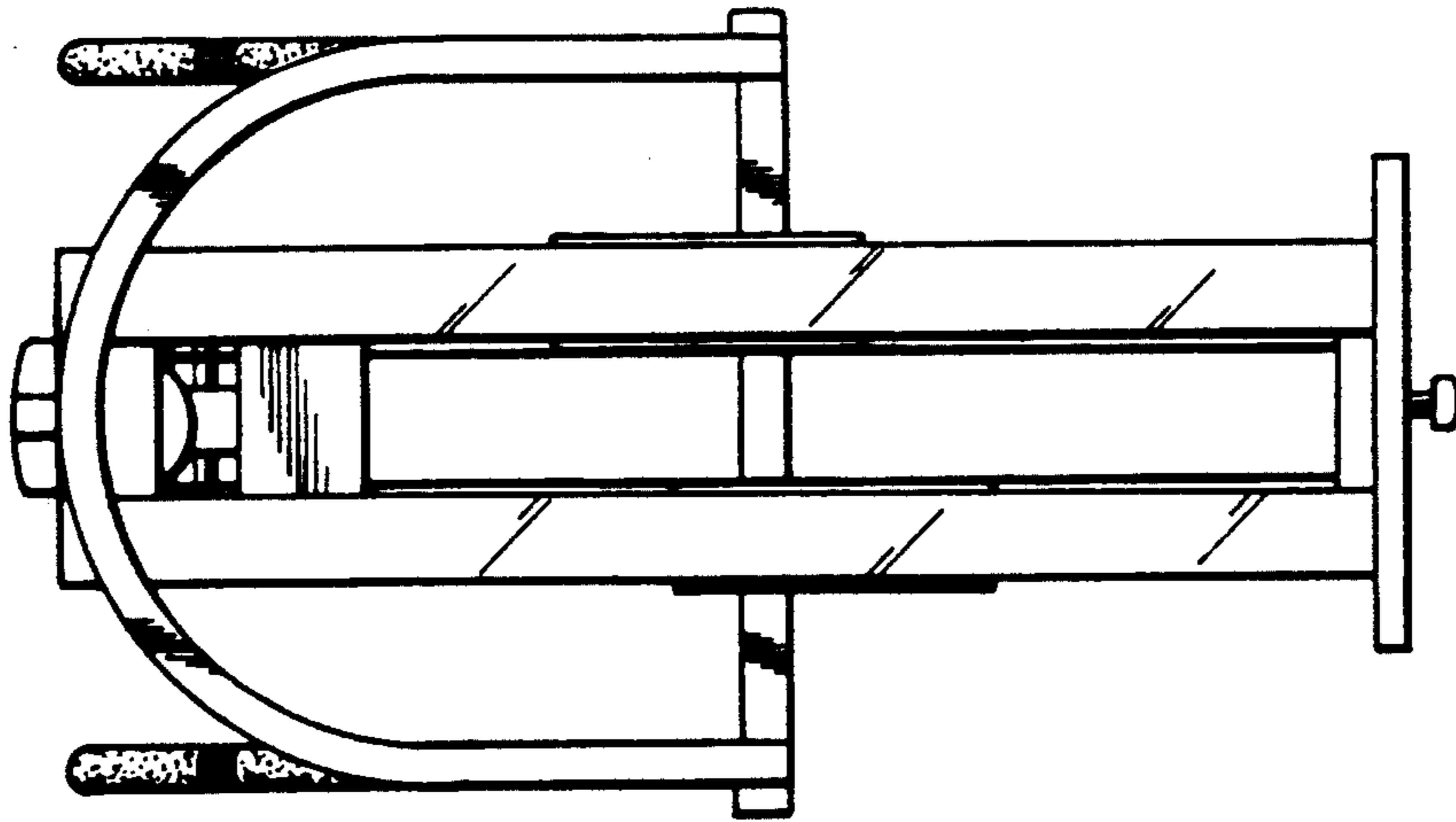


FIG. 7

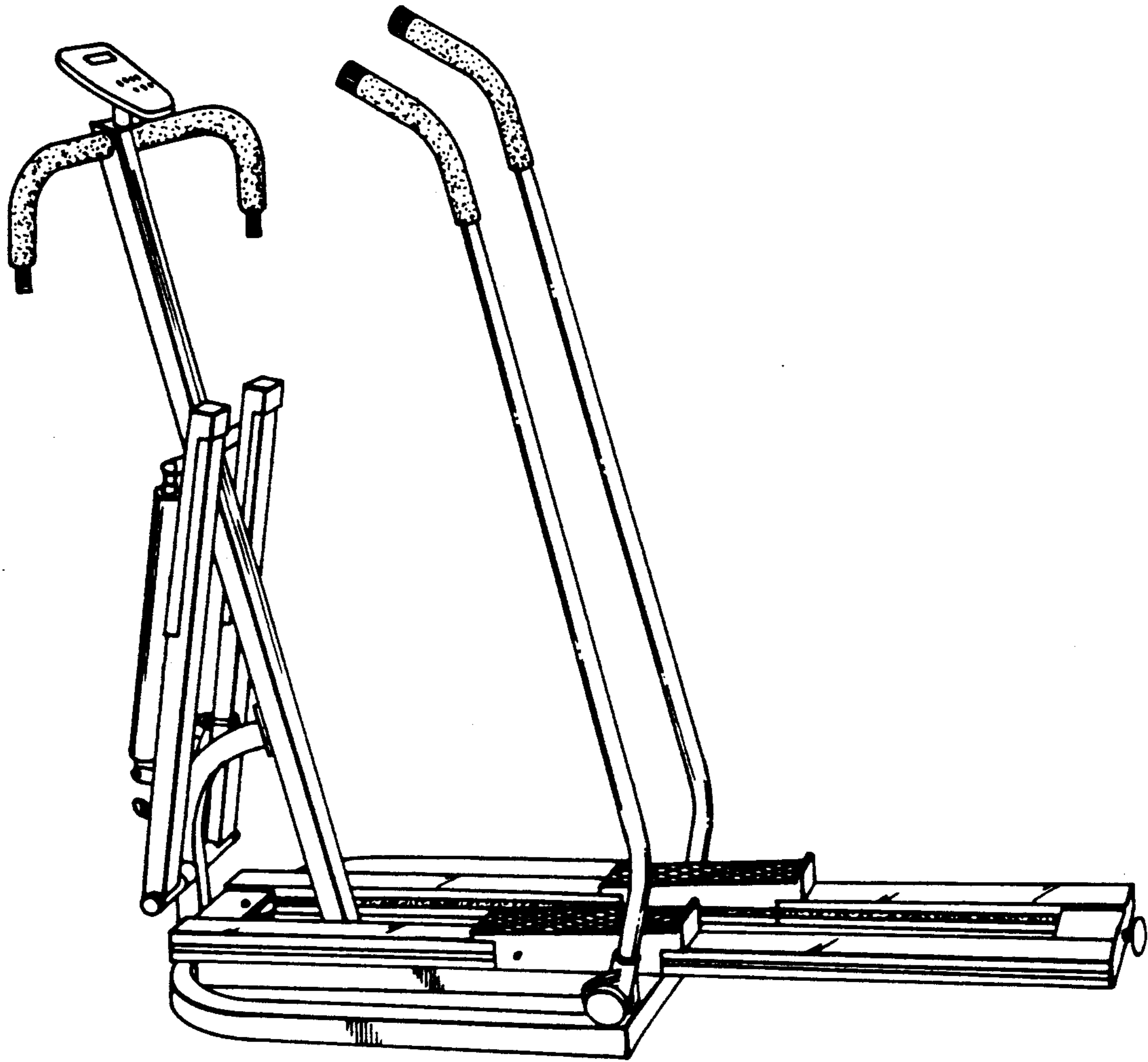


FIG.8