



US00D344974S

United States Patent [19]

[11] Patent Number: **Des. 344,974**

Clark et al.

[45] Date of Patent: **** Mar. 8, 1994**

[54] **AUTO-RADIOGRAM IMAGE ACQUISITION SCANNER**

[75] Inventors: **Lloyd D. Clark, San Francisco; William T. Davids, Palo Alto; George D. Rehkla, Los Altos, all of Calif.**

[73] Assignee: **Amoco Corporation, Chicago, Ill.**

[**] Term: **14 Years**

[21] Appl. No.: **889,083**

[22] Filed: **May 26, 1992**

[52] U.S. Cl. **D18/54; D24/158**

[58] Field of Search **250/461.1, 461.2, 571; 354/76; 356/73, 344, 402, 444; 358/496; 364/413.22; 378/10, 13, 41, 146; D10/46; D14/116, 118; D24/158, 159, 160; D18/50, 54, 55**

[56] **References Cited**

U.S. PATENT DOCUMENTS

D. 288,929	3/1987	Giannotti, Jr. et al.	D18/54
D. 290,998	7/1987	Gemmill	D24/158 X
D. 326,278	5/1992	Grosse	D18/54
D. 334,382	3/1993	Dow	D14/118
D. 334,383	3/1993	Grosse	D14/118
3,720,784	3/1973	Maydan et al.	178/6.6
3,792,194	2/1974	Wood et al.	178/6.8
3,851,156	11/1974	Green	235/151.3
3,872,242	3/1975	Cooley	178/6
3,887,816	6/1975	Cooley	250/571
3,988,537	10/1976	Cooley	178/7.6

3,994,587	11/1976	Yamamoto et al.	356/73
4,242,730	12/1980	Golias et al.	364/416
4,360,840	11/1982	Wolfrum et al.	358/261
4,427,294	1/1984	Nardo	356/344
4,536,801	8/1985	Torkelson et al.	358/280
4,694,481	9/1987	Tashjian et al.	378/198
4,713,746	12/1987	Watanabe et al.	345/1.1
4,717,258	1/1988	Sutton	356/444
4,757,334	7/1988	Volent	354/76
4,811,109	3/1989	Shimizu et al.	358/256
4,837,450	6/1989	Satomura et al.	250/571
4,960,999	10/1990	McKean et al.	250/461.1
5,014,267	5/1991	Tompkins et al.	370/62
5,073,028	12/1991	Bowden et al.	356/402
5,103,322	4/1992	Beck et al.	358/496

FOREIGN PATENT DOCUMENTS

0467616A2 1/1992 European Pat. Off. H01S 3/10

Primary Examiner—Nelson C. Holtje

Assistant Examiner—Antoine D. Davis

Attorney, Agent, or Firm—Thomas W. Tolpin; James A. Gabala; Frank J. Sroka

[57] **CLAIM**

The ornamental design for an auto-radiogram image acquisition scanner, as shown.

DESCRIPTION

FIG. 1 is a perspective view of the front, side and top of an auto-radiogram image acquisition scanner showing our new design; and,

FIG. 2 is a rear perspective view, showing to rear, bottom and opposite side thereof.

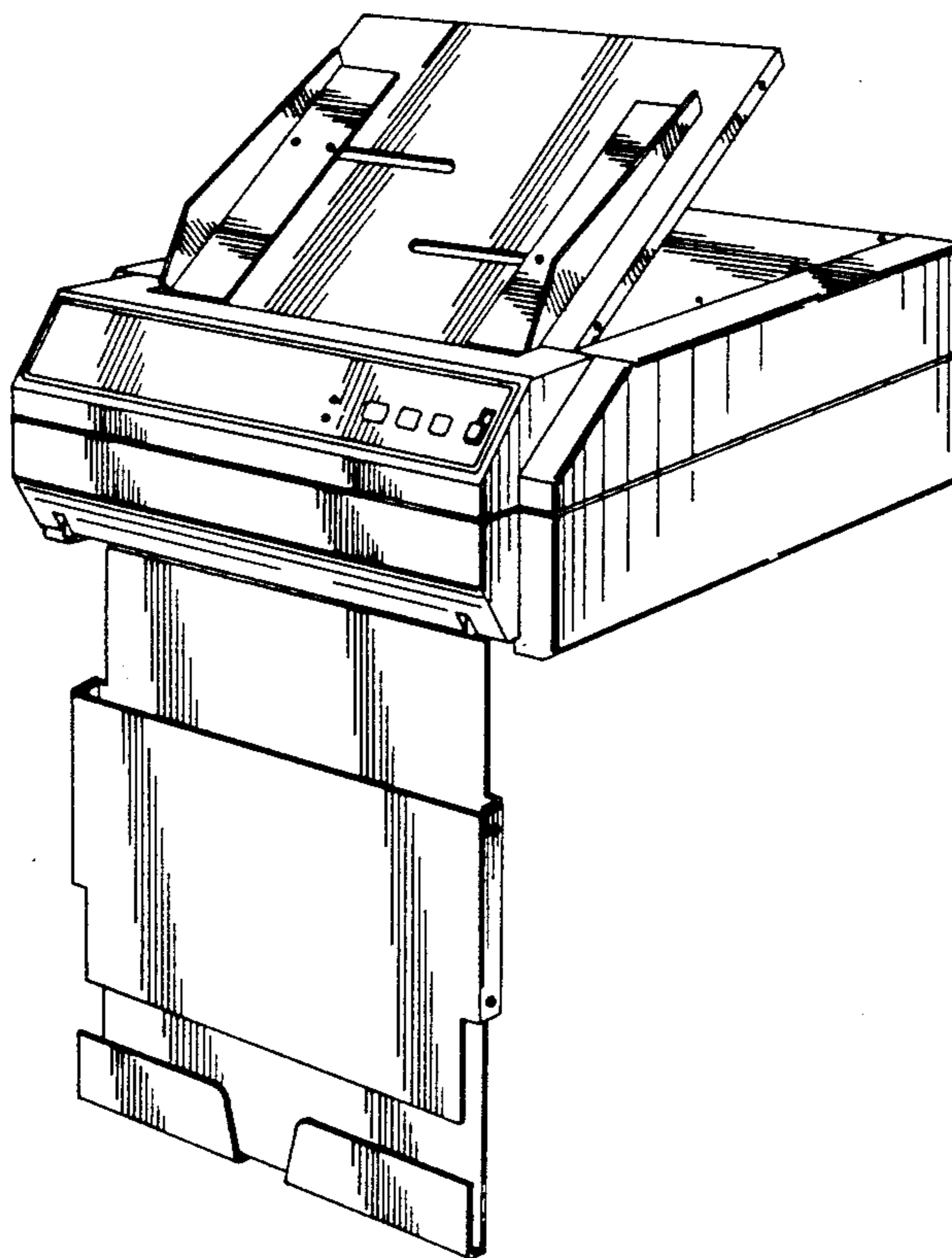


FIG. 1

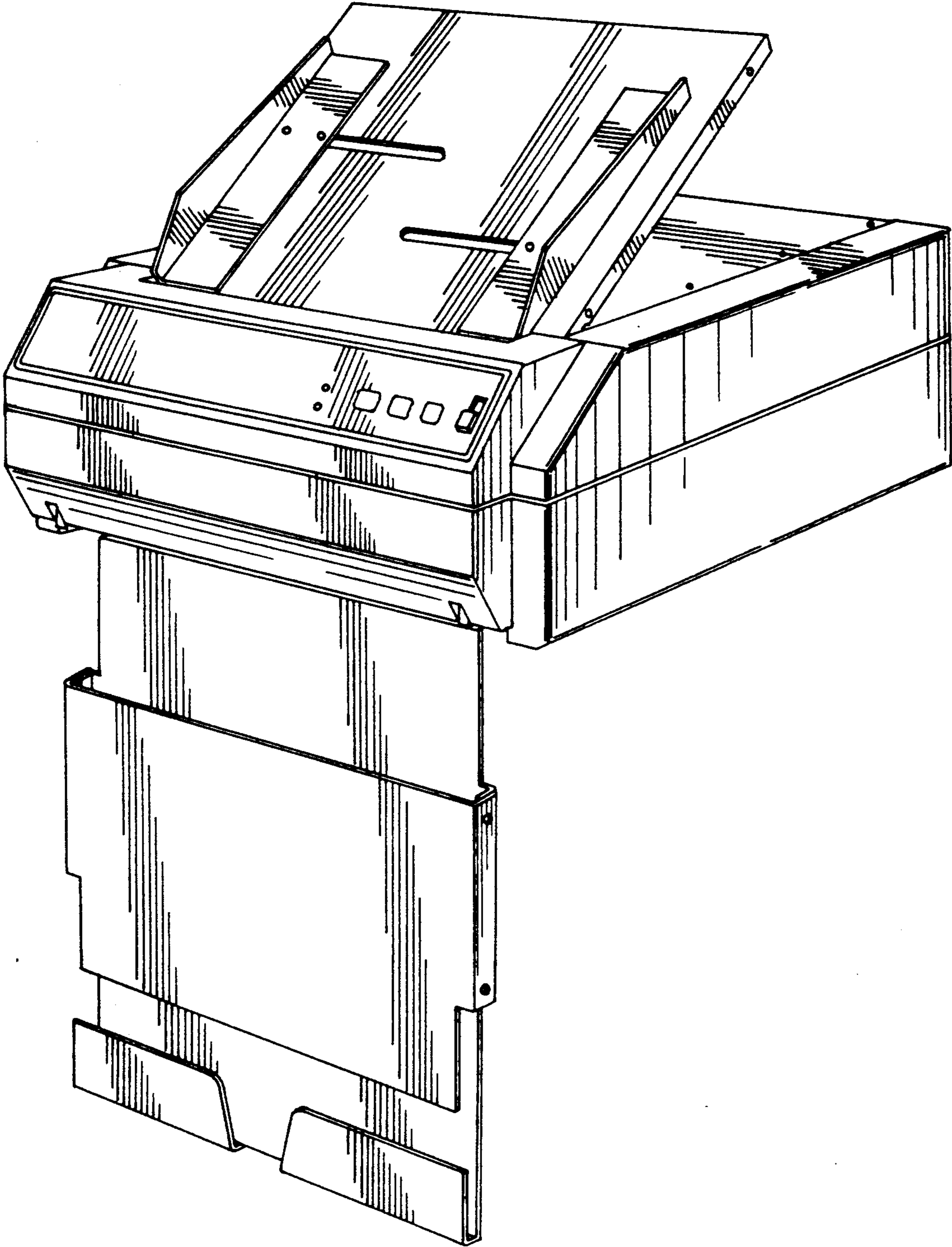


FIG. 2

