



US00D344973S

United States Patent [19]

[11] Patent Number: **Des. 344,973**

Penke et al.

[45] Date of Patent: **** Mar. 8, 1994**

[54] **COPIER WITH DOCUMENT HANDLER AND FINISHER**

[56]

References Cited

U.S. PATENT DOCUMENTS

D. 263,289	3/1982	Onoue et al.	D18/38
D. 267,723	1/1983	Hara	D18/38
D. 268,345	3/1983	Robertson	D18/38
D. 312,267	11/1990	Biggs et al.	D18/39
D. 334,400	3/1993	Penke et al.	D18/39
D. 334,943	4/1993	Suzuki et al.	D18/39
D. 336,104	6/1993	Hiroki et al.	D18/39

[75] Inventors: **Mark S. Penke**, West Henrietta; **Robert E. Kalvitis**, Fairport; **William T. Clark, III**, West Henrietta, all of N.Y.; **Marland Chow**, Oceanside, Calif.; **Leonard V. Gates**, Widford Nr. Ware, England; **Hideyuki Matsubara**; **Chikako Sanaka**, both of Yokohama,, Japan

OTHER PUBLICATIONS

Brochure, Fuji-Xerox 5075, Jun. 5, 1989.

Primary Examiner—Alan P. Douglas

Assistant Examiner—Robert M. Spear

[73] Assignee: **Xerox Corporation**, Stamford, Conn.

[57]

CLAIM

[**] Term: **14 Years**

The ornamental design for a copier with document handler and finisher, as shown.

[21] Appl. No.: **785,607**

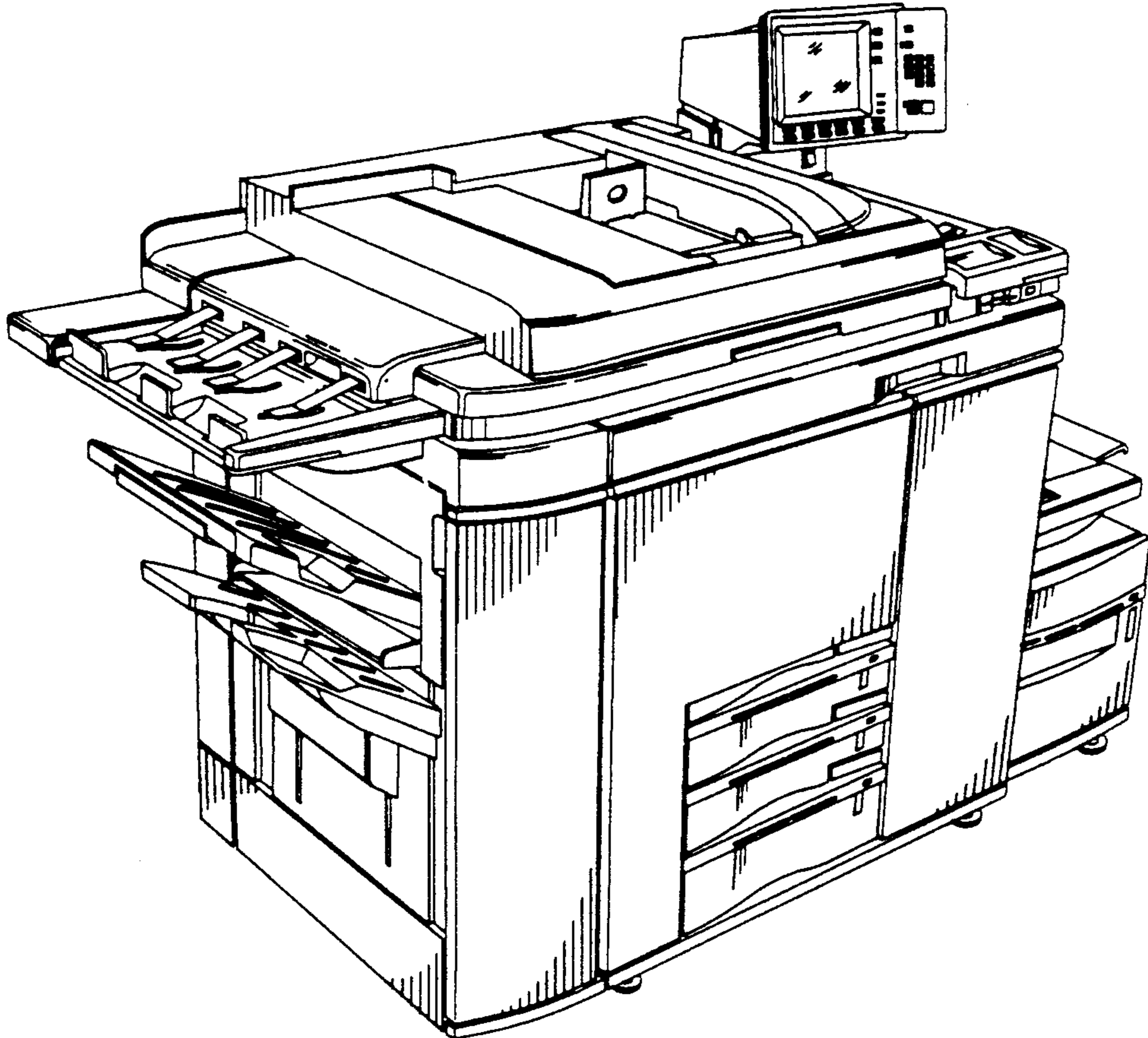
DESCRIPTION

[22] Filed: **Oct. 31, 1991**

[52] U.S. Cl. **D18/39**

[58] Field of Search 355/43-45, 355/49-51, 66, 112, 200, 210, 231, 233-236, 245, 326-328; D18/36-39

FIG. 1 is a frontal perspective view of a copier with document handler and finisher showing our new design; FIG. 2 is a front view; FIG. 3 is a right side view; FIG. 4 is a rear view; FIG. 5 is a left side view; and, FIG. 6 is a top view.



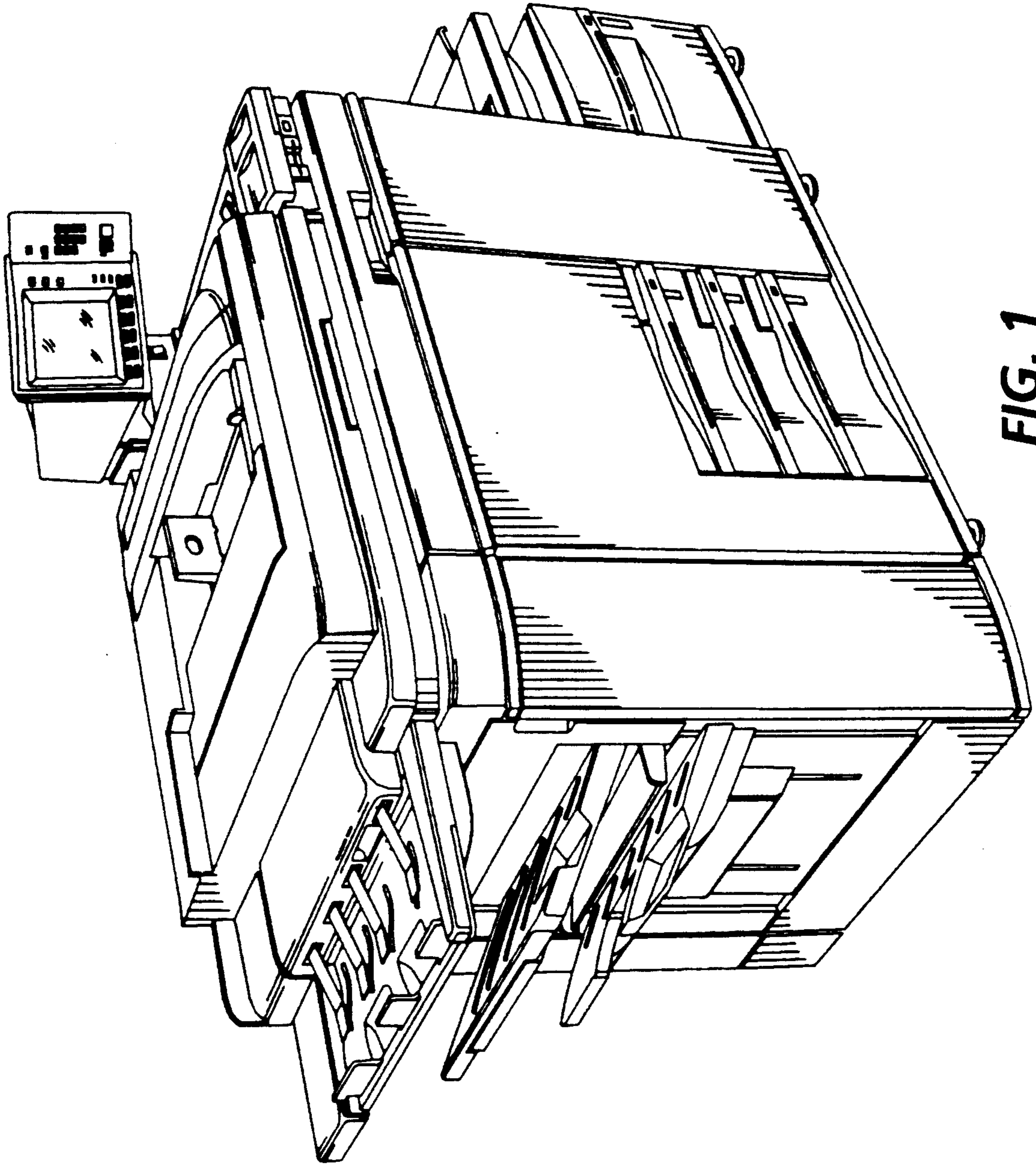


FIG. 1

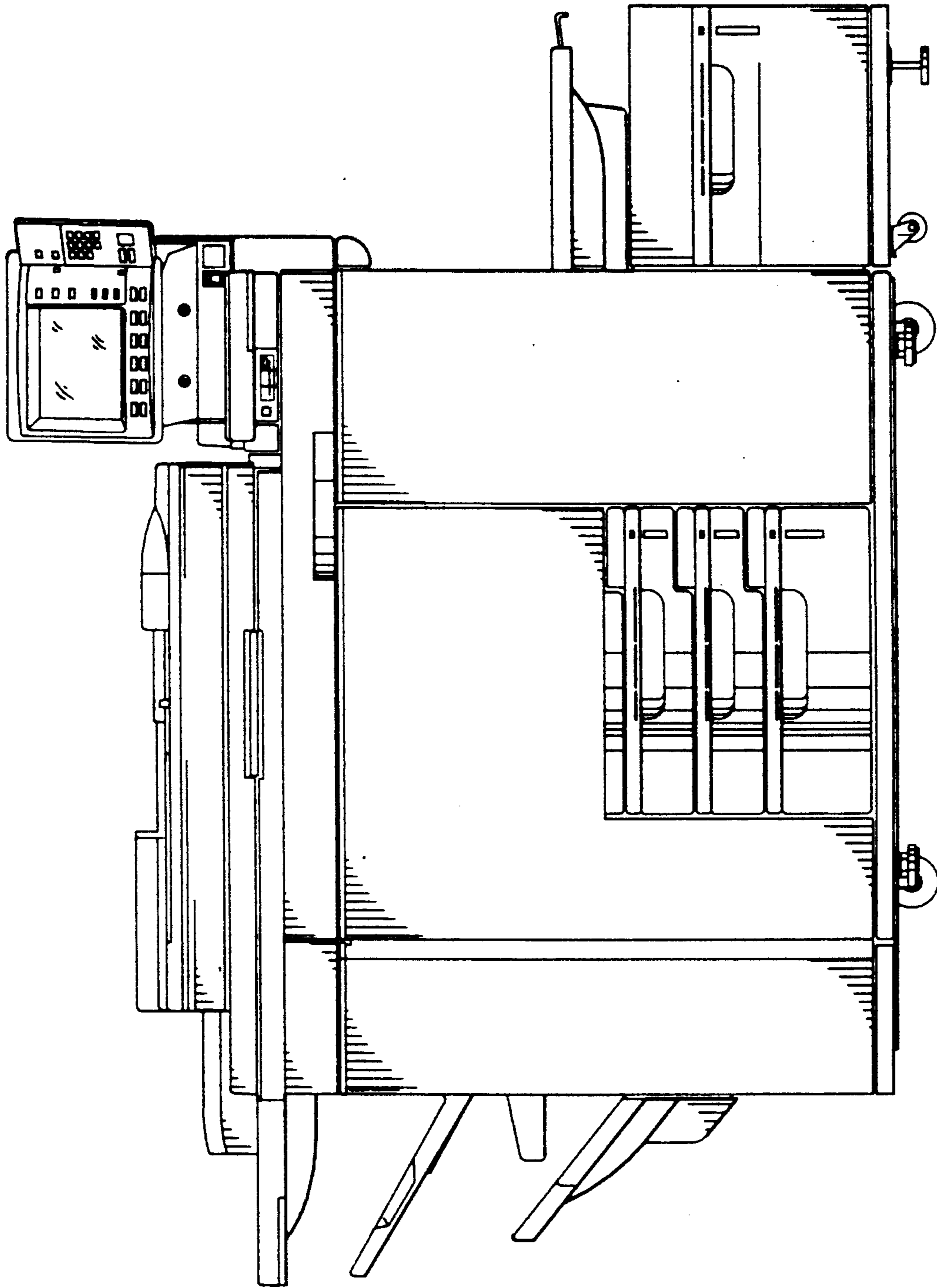


FIG. 2

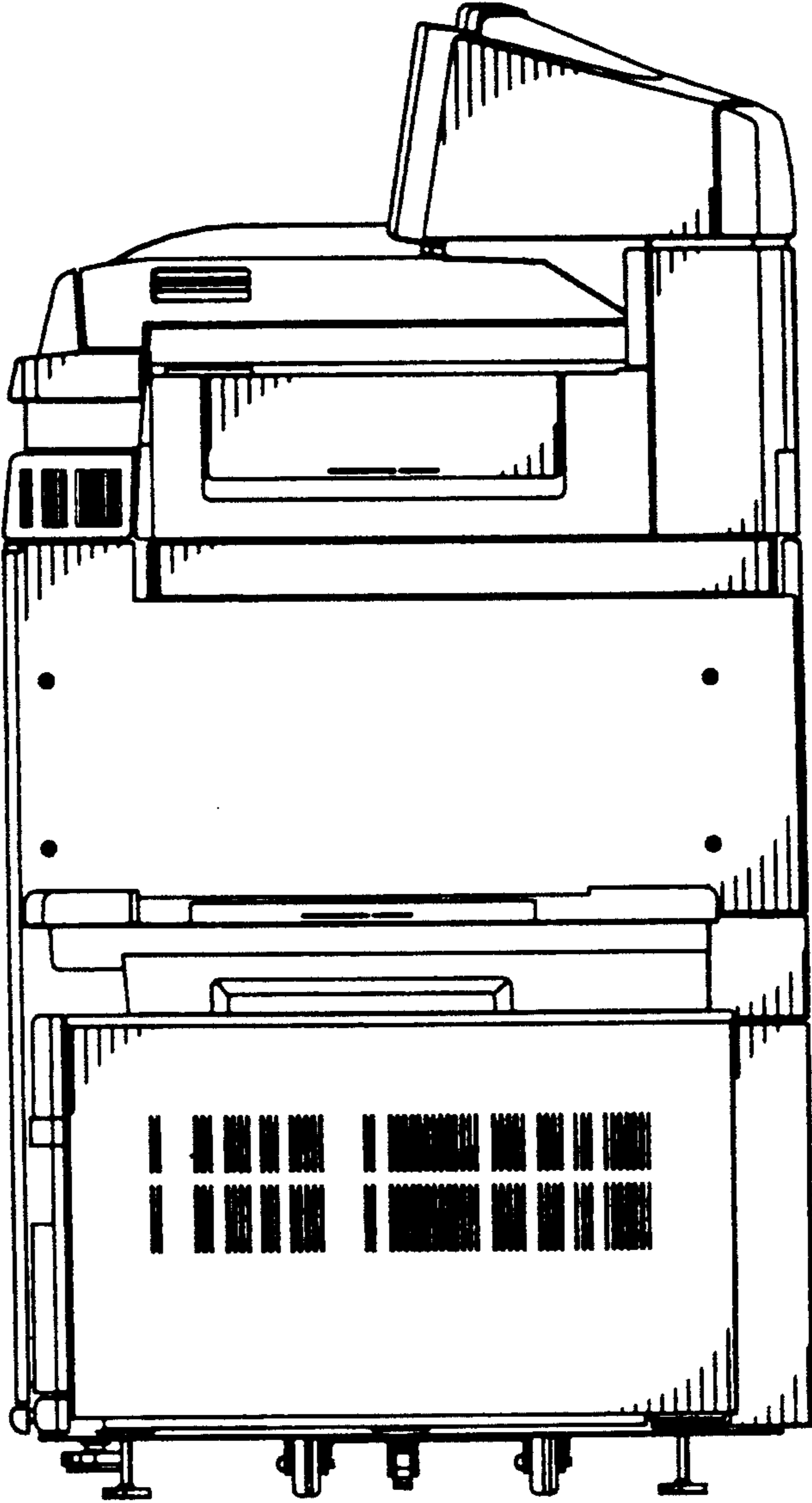


FIG. 3

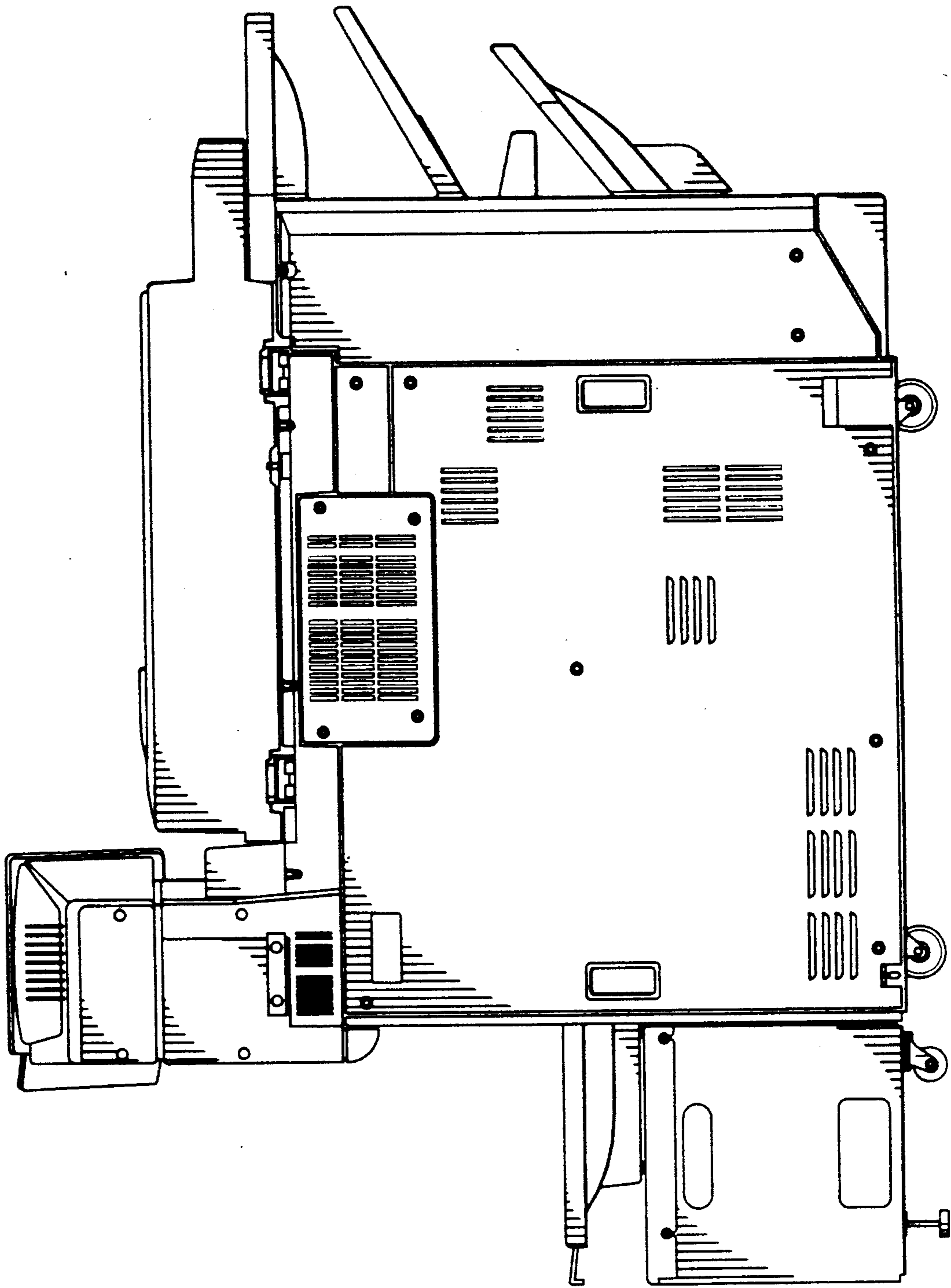


FIG. 4

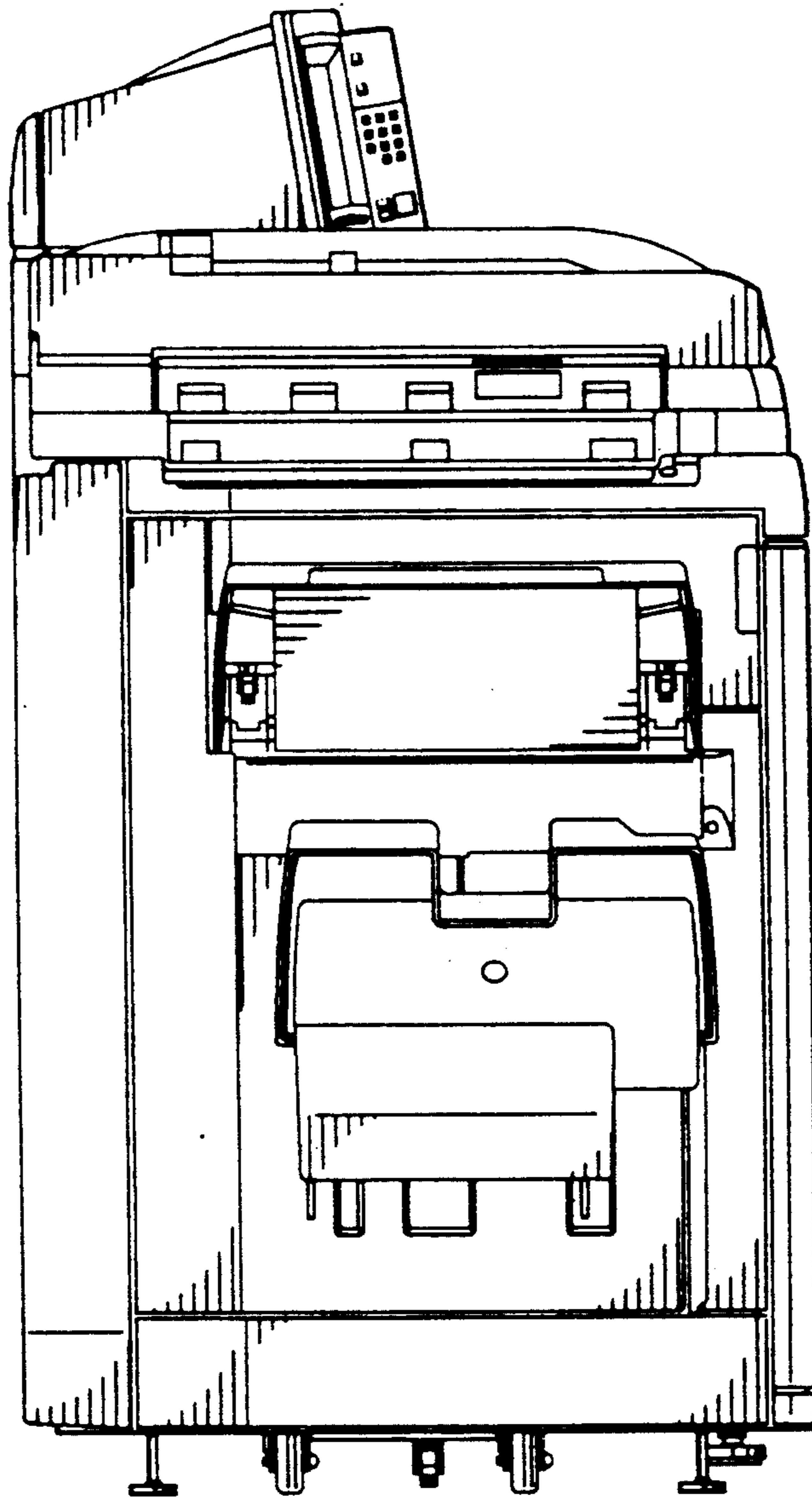


FIG. 5

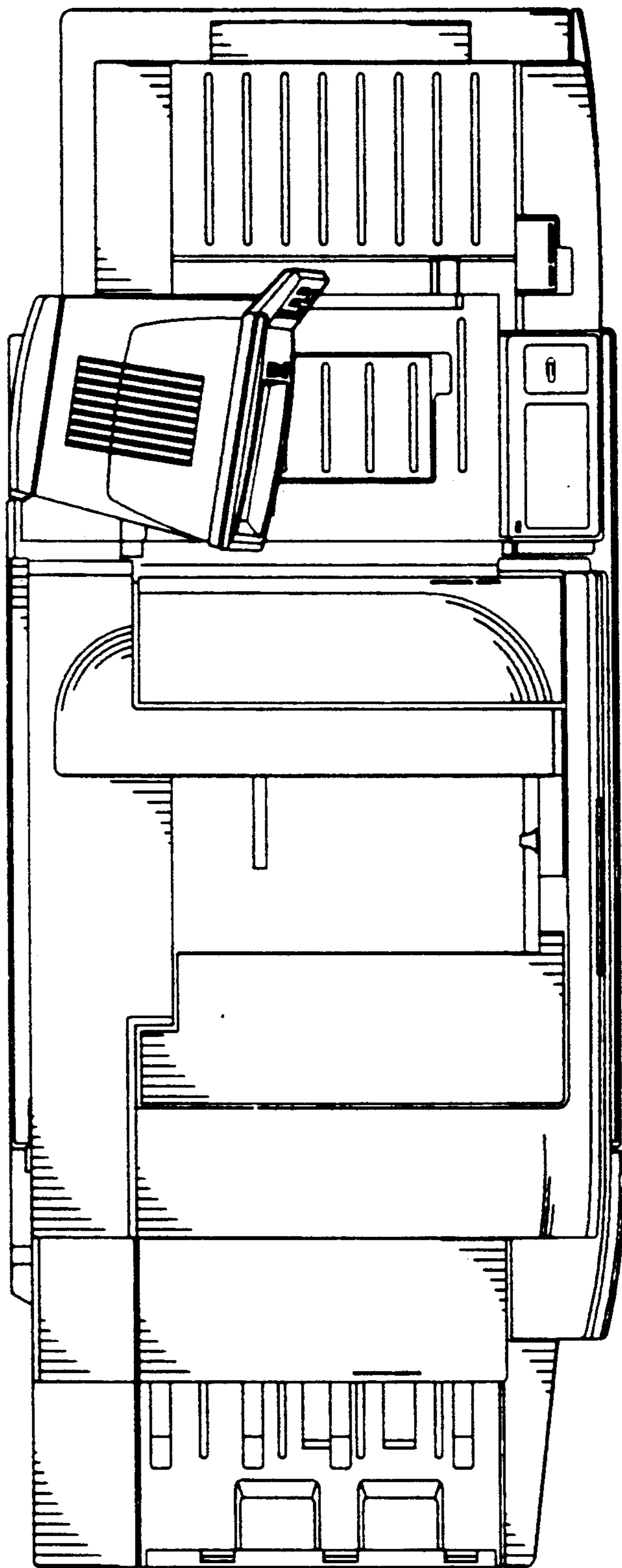


FIG. 6