



US00D344972S

United States Patent [19]

[11] Patent Number: **Des. 344,972**

Rus

[45] Date of Patent: **** Mar. 8, 1994**

[54] **NECK FOR A STRING MUSICAL INSTRUMENT**

4,237,765 12/1980 Valdez 84/293
5,018,423 5/1991 Bunker et al. 84/293

[76] Inventor: **Tomaž Rus**, Resljeva 30, 61000 Ljubljana, Spratly Islands

Primary Examiner—Melvin B. Feifer
Assistant Examiner—Adir Aronovich
Attorney, Agent, or Firm—Pollock, Vande Sande & Priddy

[**] Term: **14 Years**

[21] Appl. No.: **935,375**

[57] **CLAIM**

[22] Filed: **Aug. 26, 1992**

The ornamental design for a neck for a string musical instrument, as shown and described.

[30] **Foreign Application Priority Data**

DESCRIPTION

Mar. 3, 1992 [YU] Yugoslavia M 46/92

[52] U.S. Cl. **D17/20; 84/293**

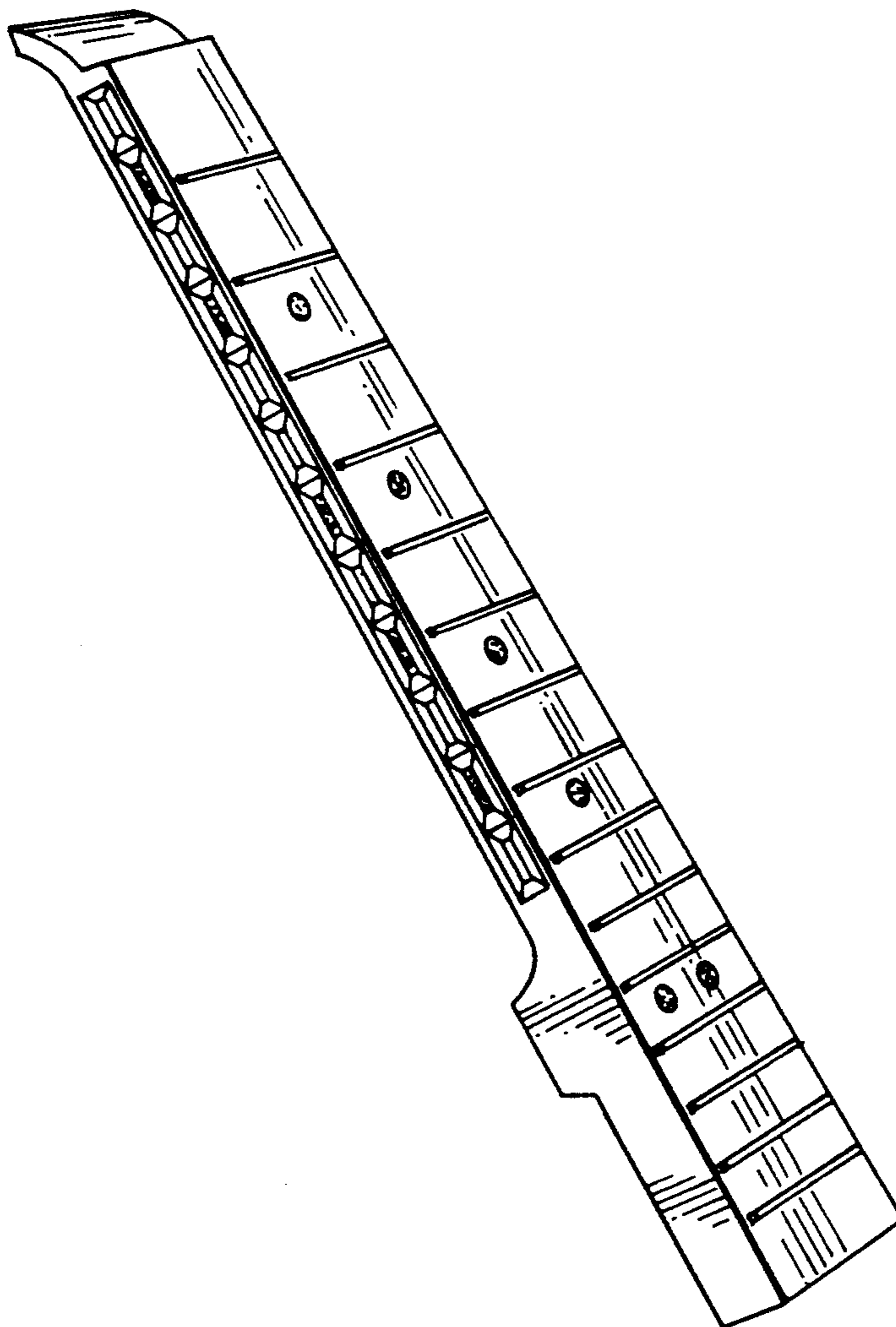
[58] Field of Search 84/267, 291, 293;
D17/14, 15, 18, 19, 20

FIG. 1 is a left side perspective view of a neck for a string musical instrument showing my new design; FIG. 2 is a perspective view of an enlarged part of the neck according to FIG. 1; FIG. 3 is a perspective view of the right side of the neck; FIG. 4 is a perspective view of an enlarged part of the neck according to FIG. 3; and, FIG. 5 is a rear view of the neck.

[56] **References Cited**

U.S. PATENT DOCUMENTS

D. 290,130 6/1987 Steinberger D17/20
3,943,815 3/1976 Gilbert 84/293



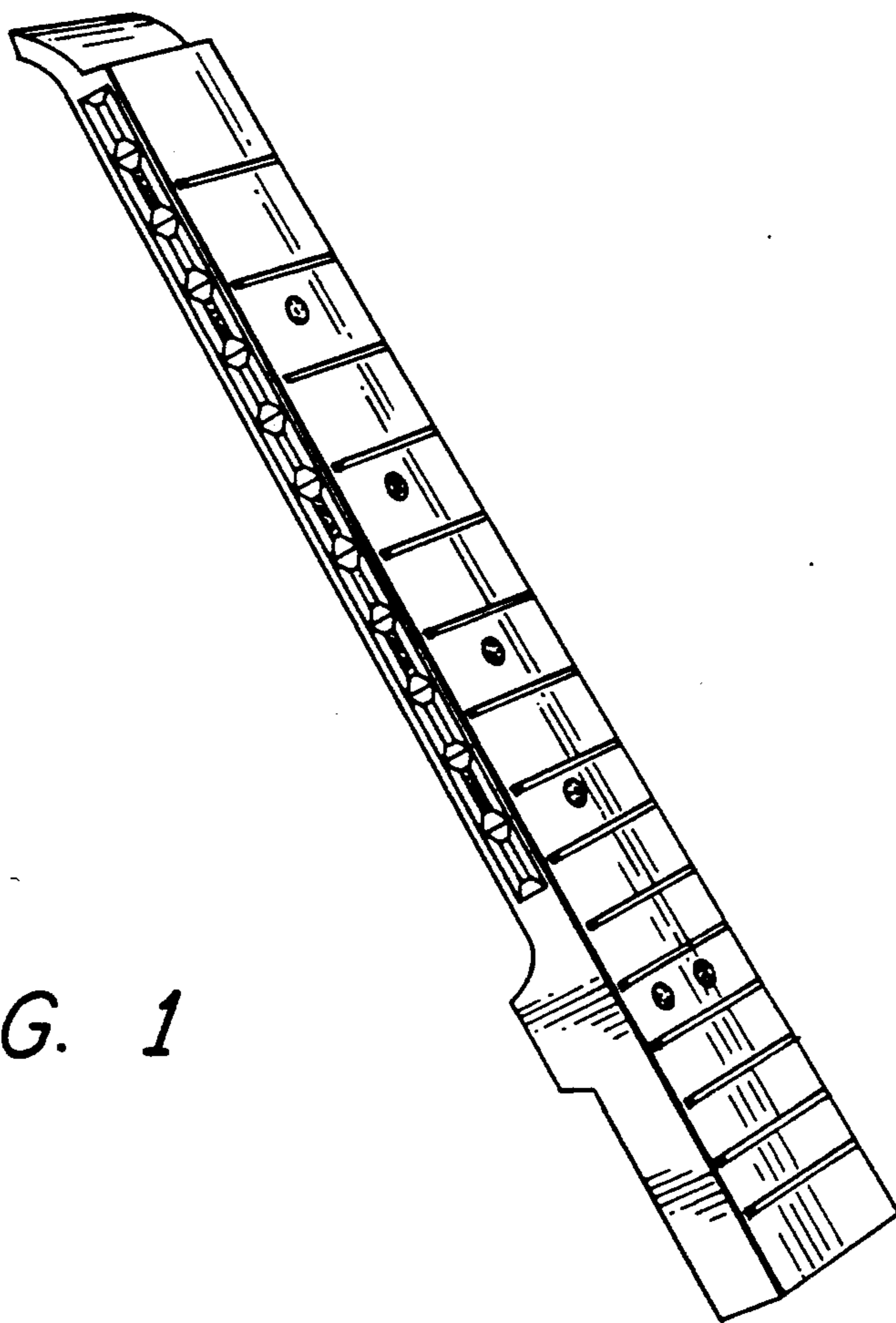


FIG. 1

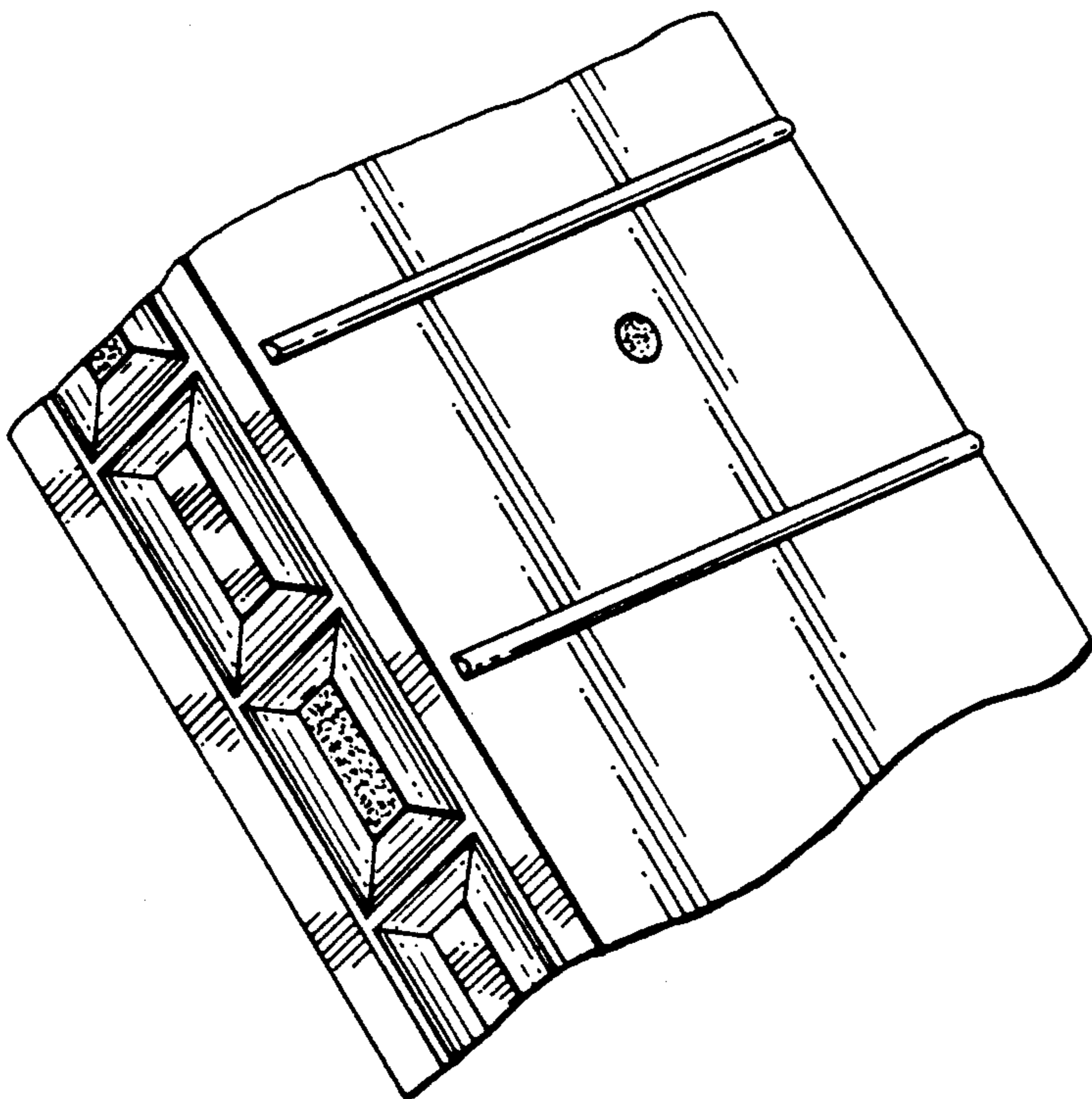


FIG. 2

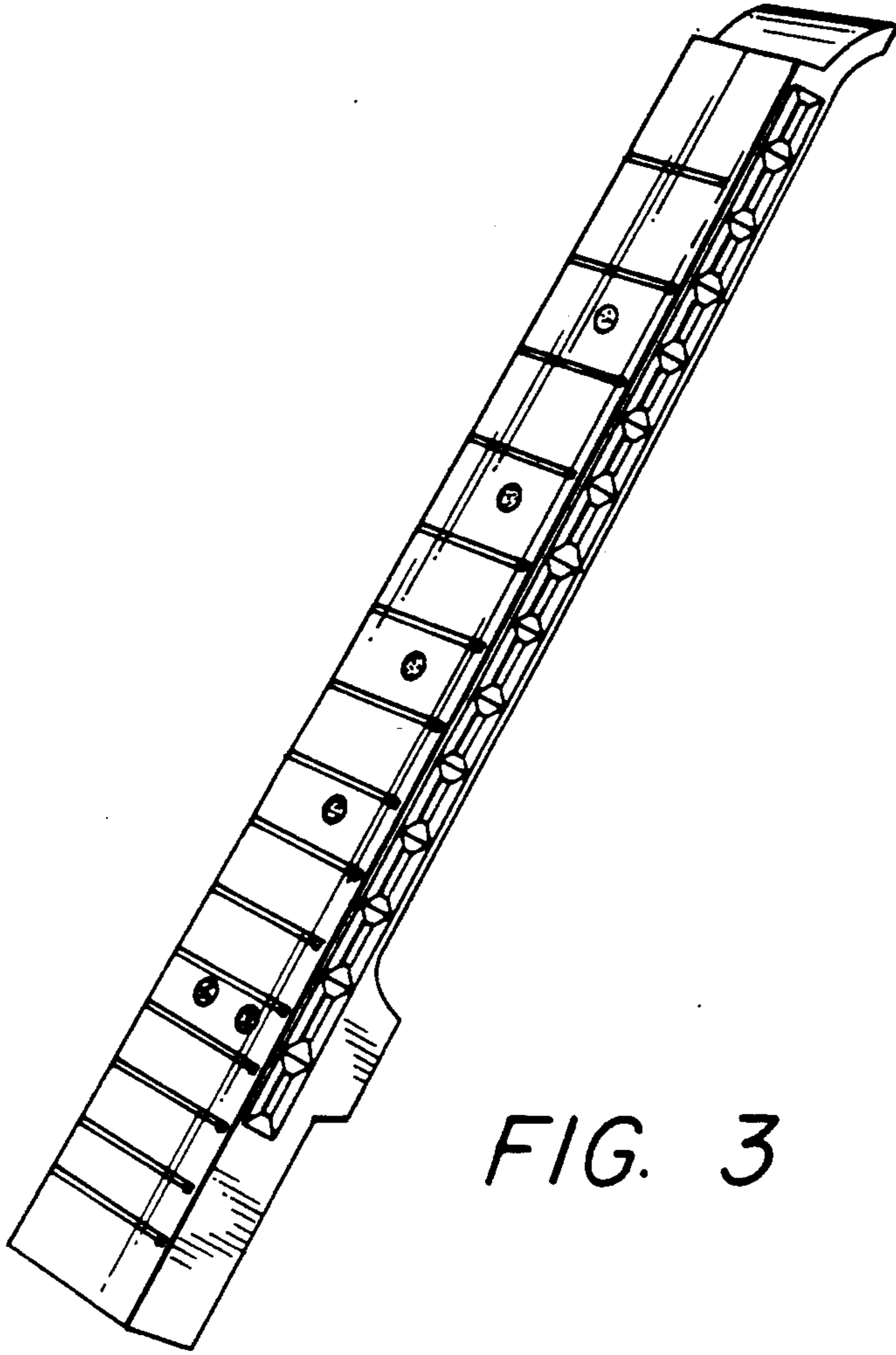


FIG. 3

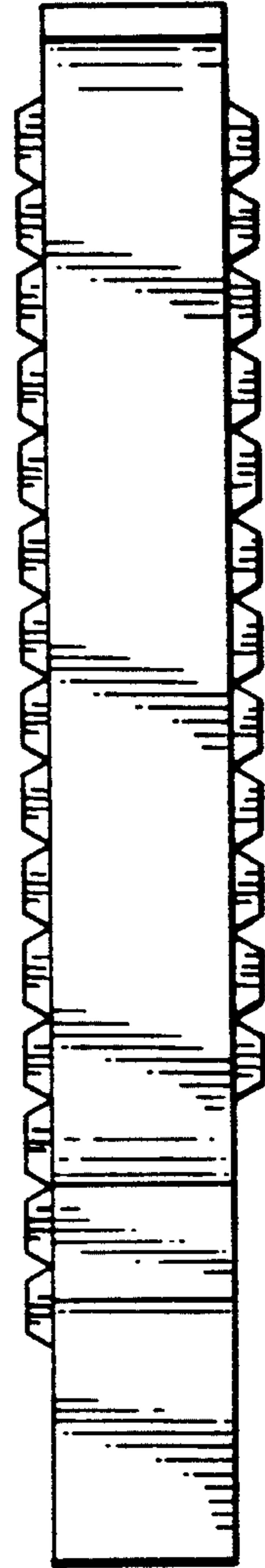


FIG. 5

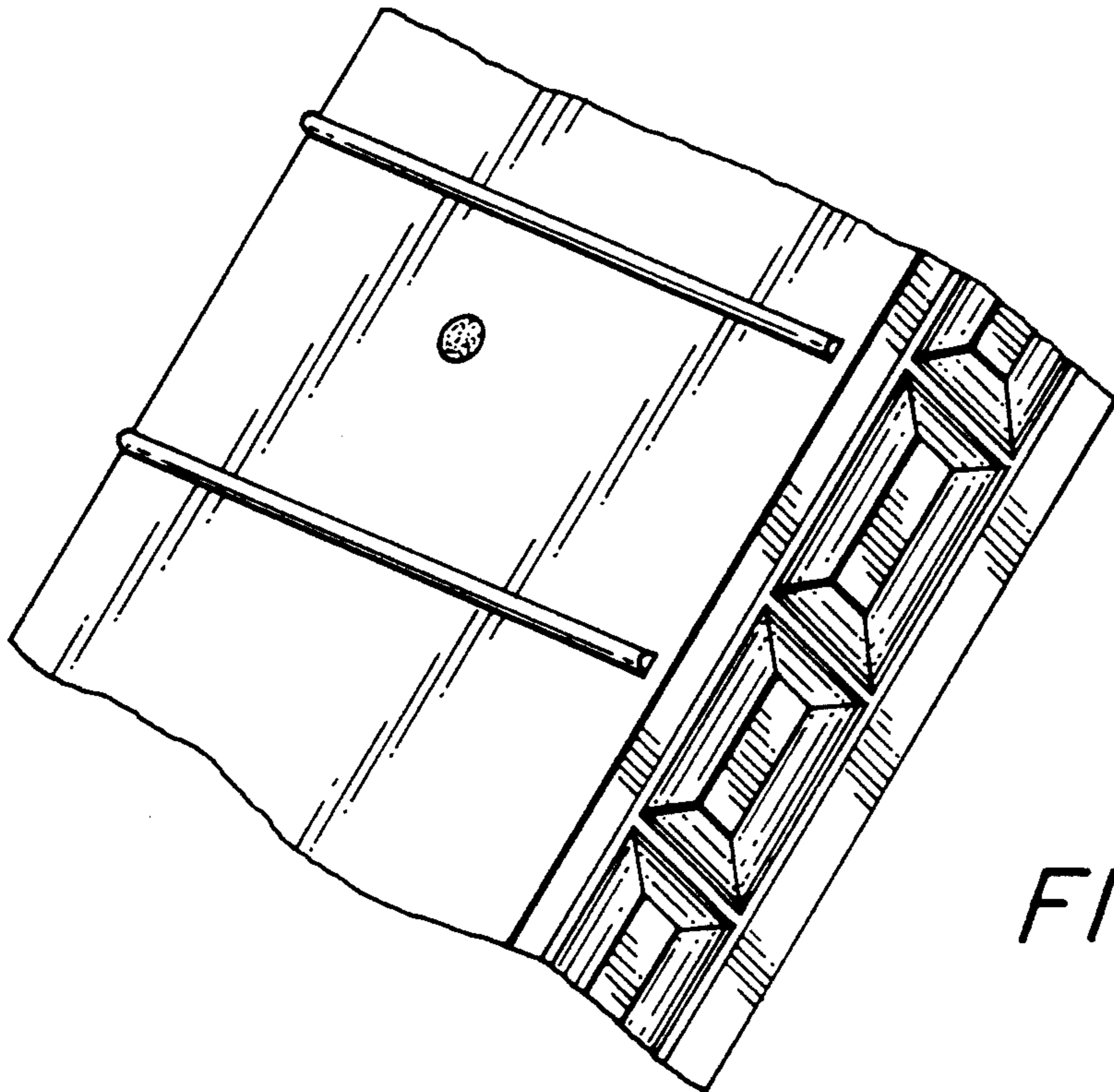


FIG. 4