



US00D344970S

# United States Patent [19]

[11] Patent Number: **Des. 344,970**

**Hanke**

[45] Date of Patent: **\*\* Mar. 8, 1994**

[54] **INCLINER**

5,153,623 10/1992 Bouvier ..... 354/81

[75] Inventor: **Rudolph M. Hanke, Monheim, Fed. Rep. of Germany**

*Primary Examiner*—Alan P. Douglas

*Assistant Examiner*—Antoine Duval Davis

[73] Assignee: **Hama Hamaphot KG, Fed. Rep. of Germany**

*Attorney, Agent, or Firm*—Marshall, O'Toole, Gerstein, Murray & Borun

[\*\*] Term: **14 Years**

### [57] CLAIM

[21] Appl. No.: **2,781**

The ornamental design for an incliner, as shown and described.

[22] Filed: **Dec. 21, 1992**

### DESCRIPTION

#### [30] Foreign Application Priority Data

Aug. 17, 1992 [WO] World Int. Prop. O. .... DM/023646

[52] U.S. Cl. .... **D16/245**

[58] Field of Search ..... 354/81, 293; 33/365; D10/46, 65; D16/244, 245

FIG. 1 is a perspective view showing one side and the top of an incliner in the upright position;

FIG. 2 is an elevational view showing one side thereof;

FIG. 3 is an elevational view showing another side thereof;

FIG. 4 is a top plan view thereof;

FIG. 5 is an elevational view showing another side thereof;

FIG. 6 is an elevational view showing still another side thereof; and,

FIG. 7 is a bottom plan view thereof.

#### [56] References Cited

##### U.S. PATENT DOCUMENTS

4,640,481 2/1987 Kohno ..... 354/293 X

4,915,333 4/1990 Bolondi ..... 354/293 X

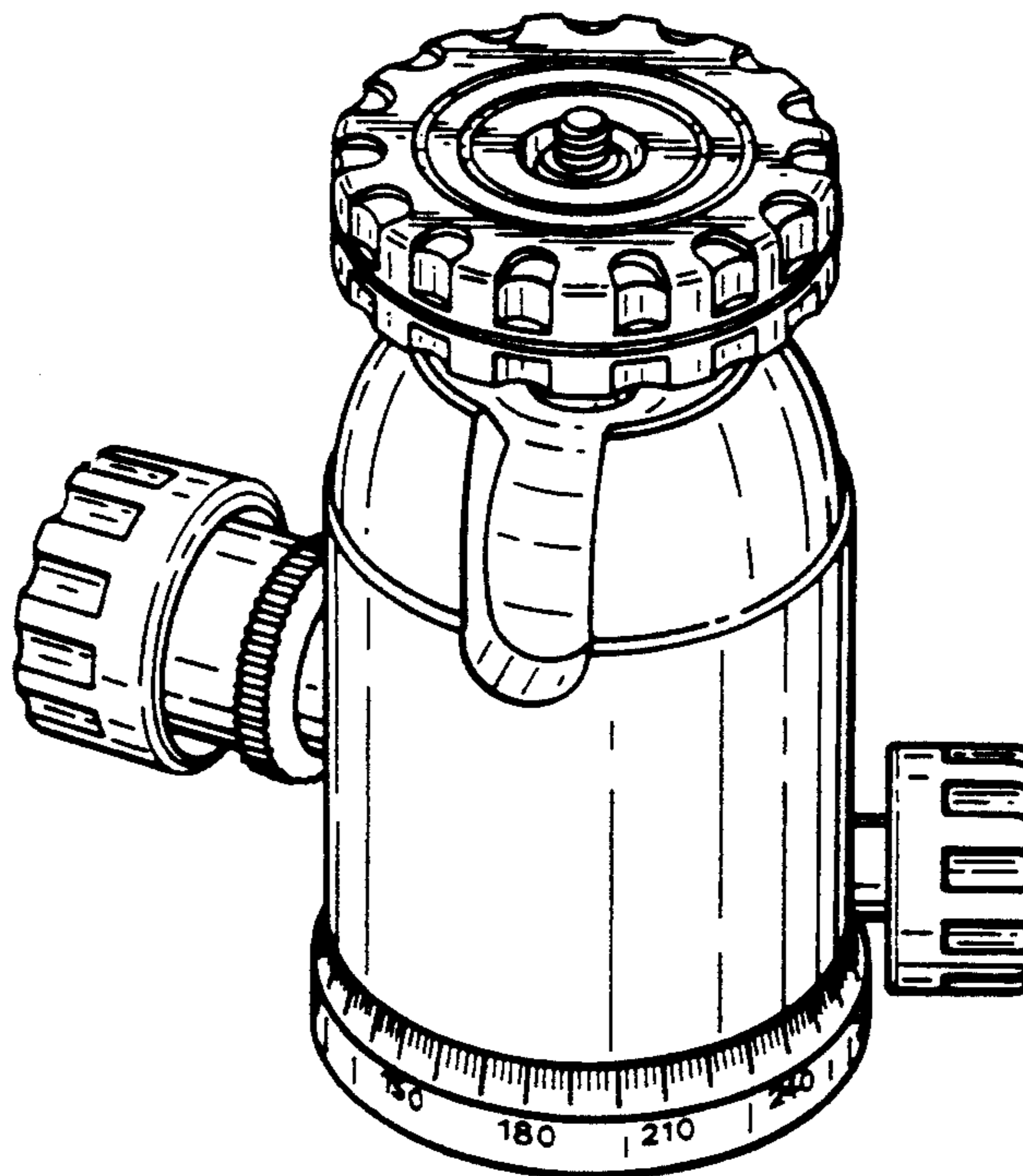
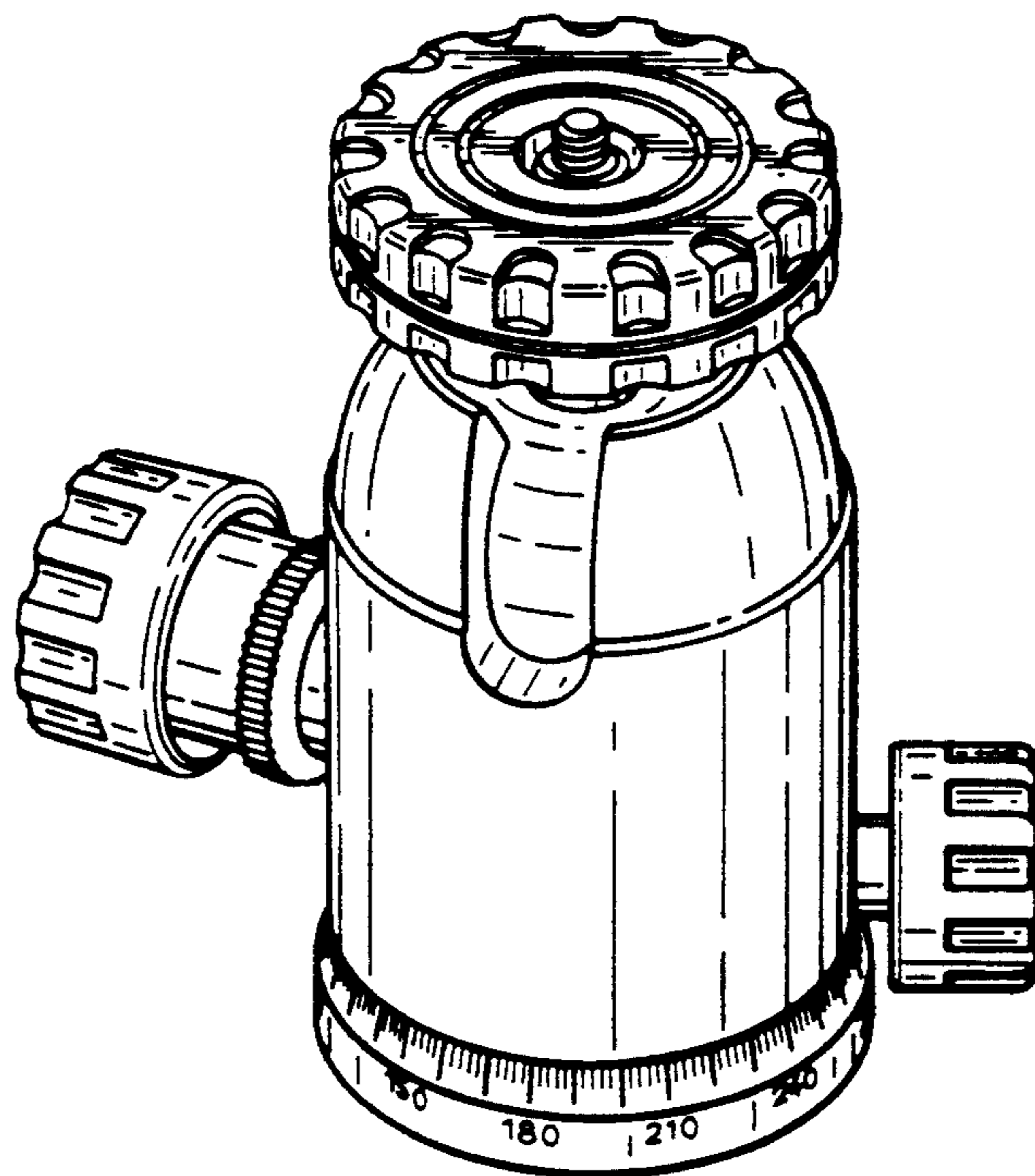


Fig.1



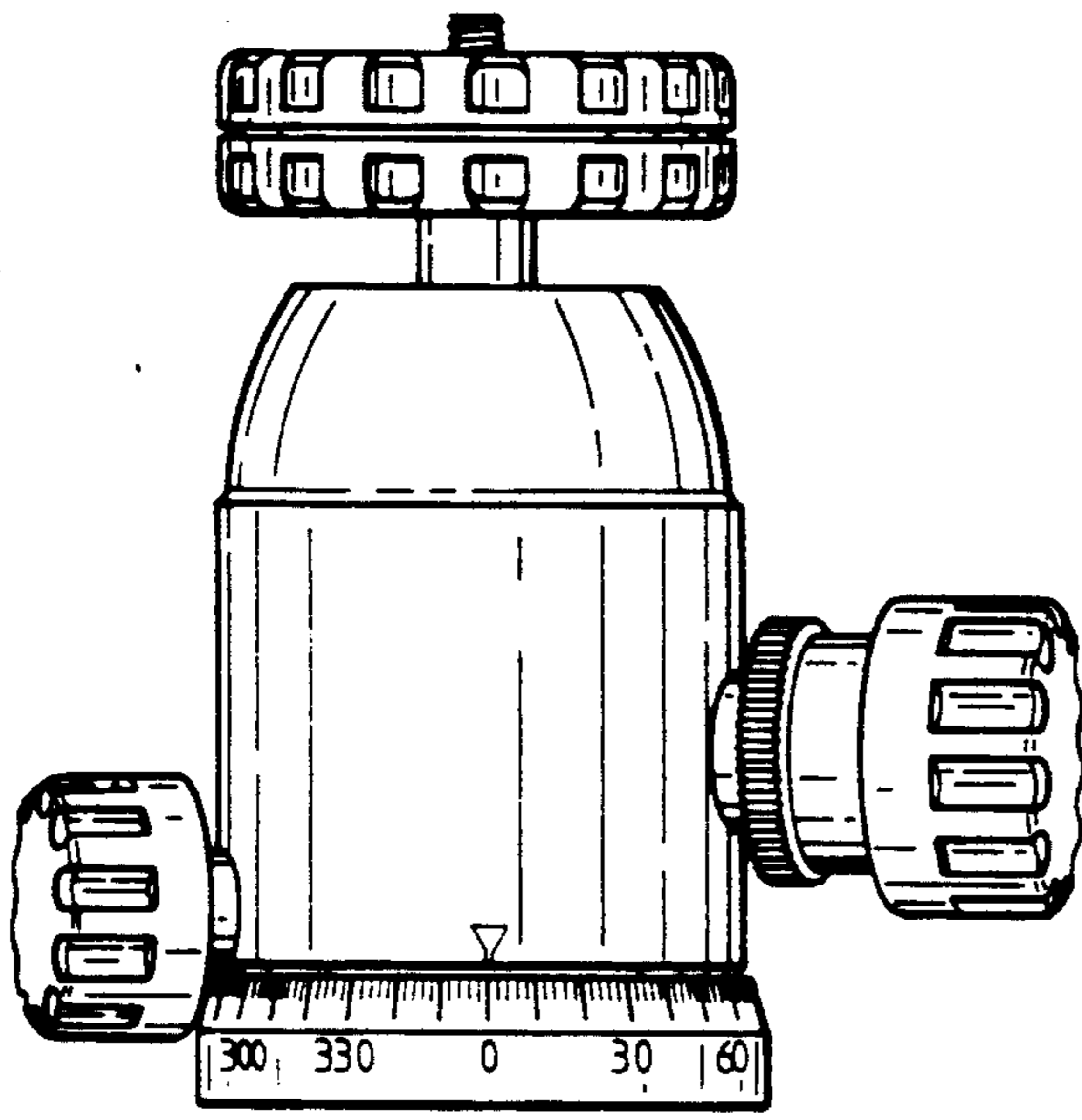


Fig. 2

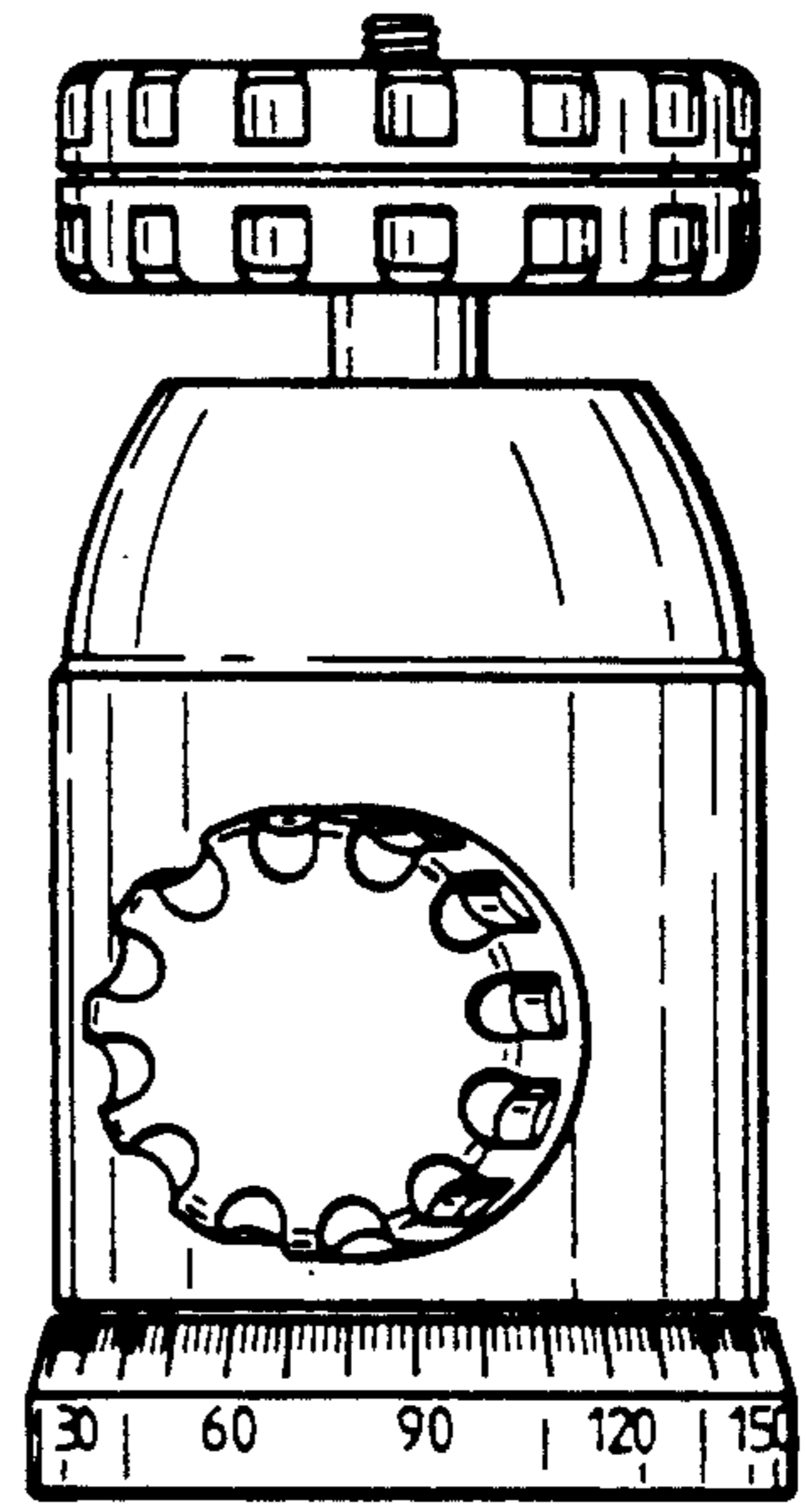
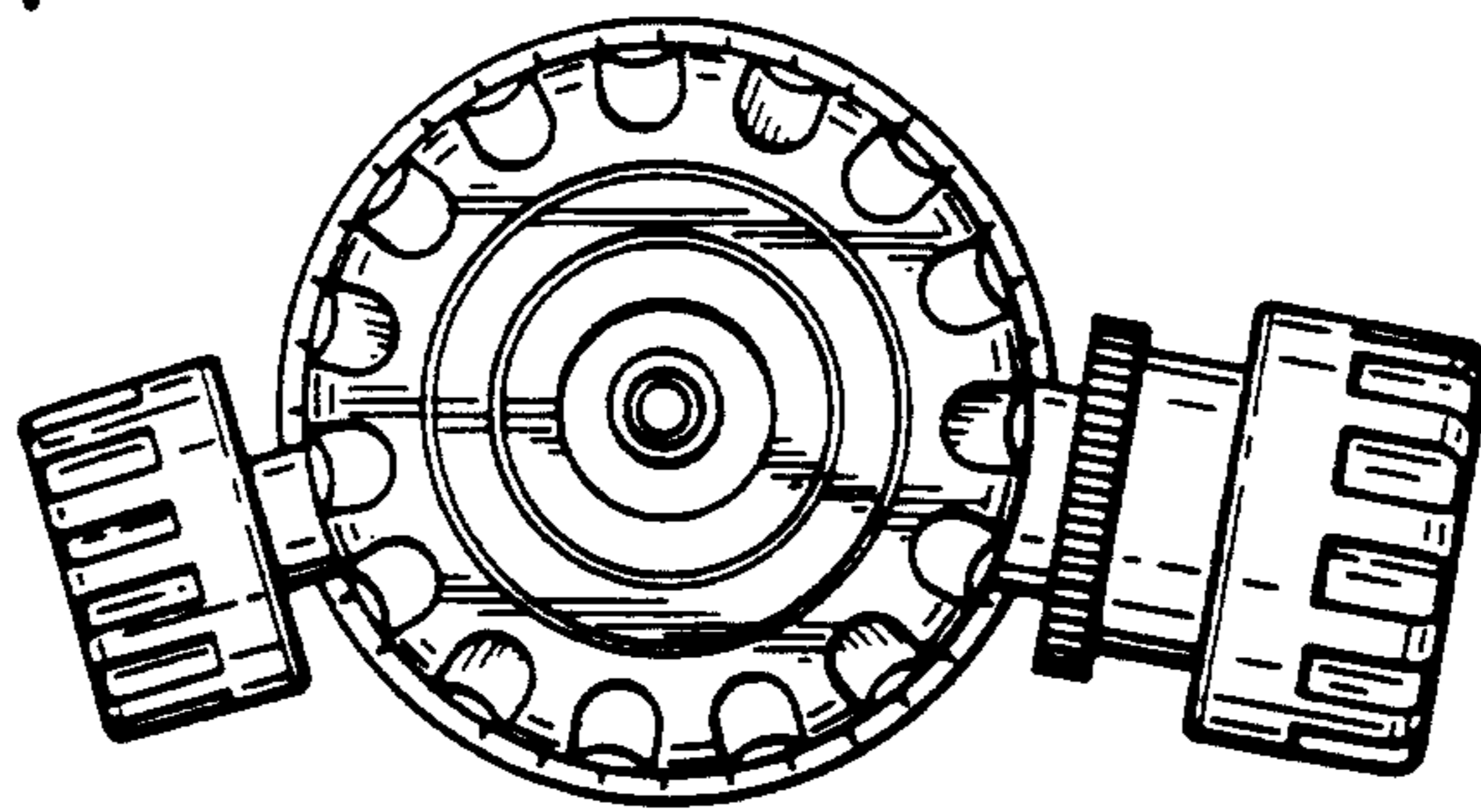


Fig. 3

Fig. 4



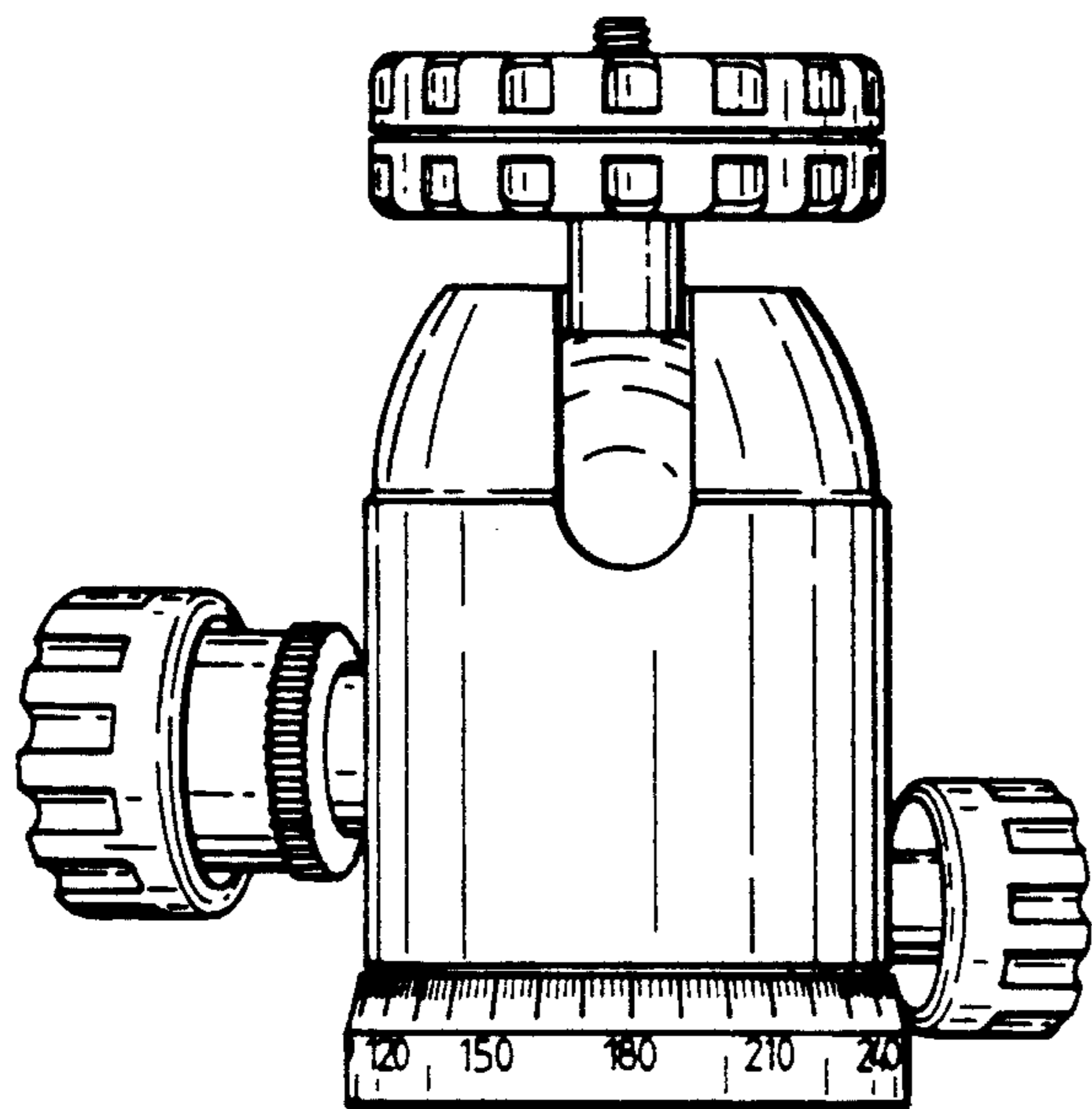


Fig. 5

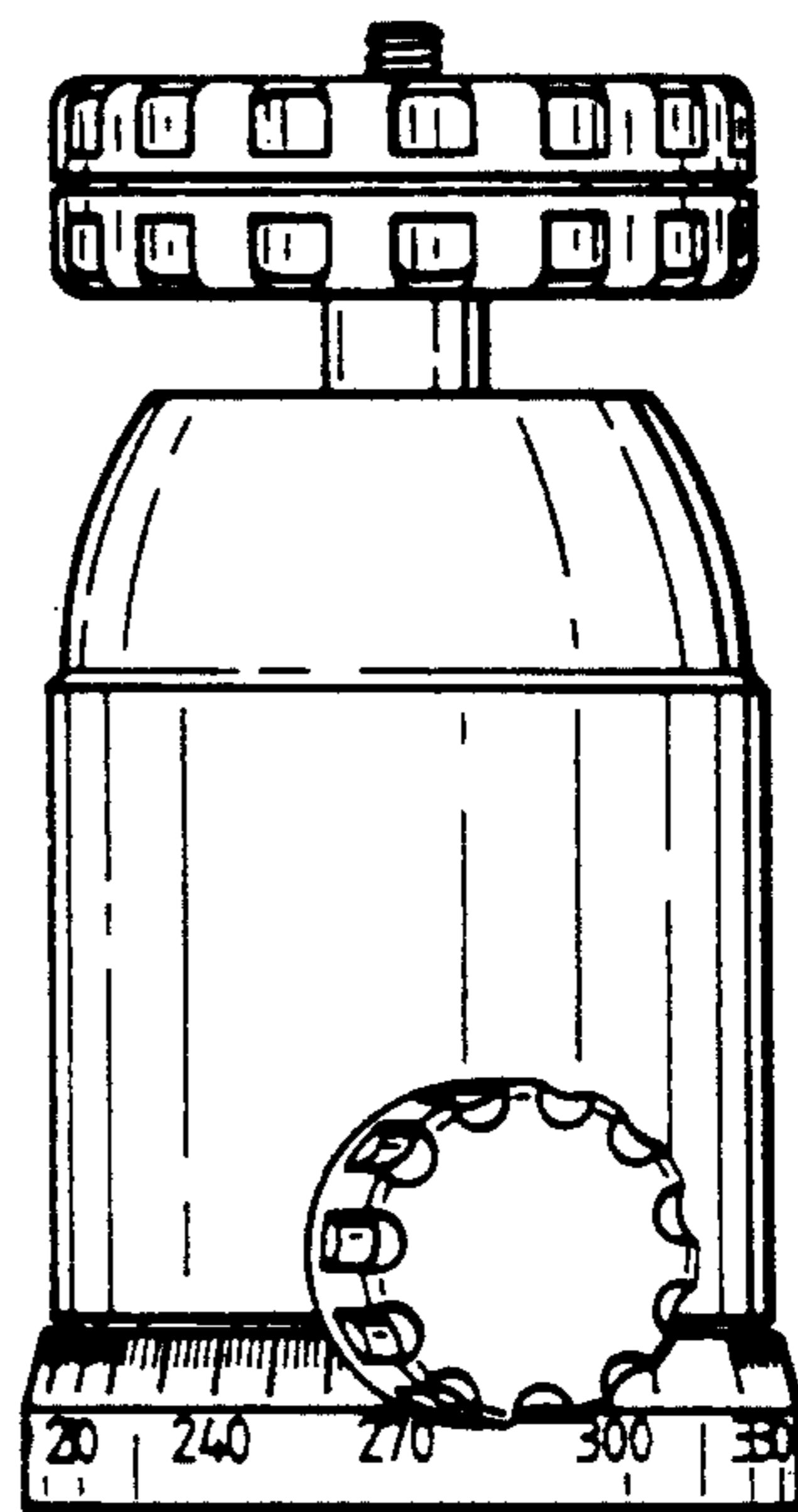


Fig. 6

Fig. 7

