



US00D344969S

# United States Patent [19]

[11] Patent Number: **Des. 344,969**

**Nakatani**

[45] Date of Patent: **\*\* Mar. 8, 1994**

## [54] VIDEO CAMERA TRIPOD

[75] Inventor: **Koichiro Nakatani, Tokyo, Japan**

[73] Assignee: **Velbon International Corporation, Torrance, Calif.**

[\*\*] Term: **14 Years**

[21] Appl. No.: **1,923**

[22] Filed: **Nov. 25, 1992**

[52] U.S. Cl. .... **D16/244**

[58] Field of Search ..... 248/168-171,  
248/183; 352/243; 354/293; D16/242, 244,  
245, 237

### [56] References Cited

#### U.S. PATENT DOCUMENTS

D. 258,661	3/1981	Shiraishi .....	D16/244
D. 263,147	2/1982	Iwasaki .....	D16/244
D. 269,880	7/1983	Iwasaki .....	D16/244
4,648,697	3/1987	Kawazoe .....	354/293
4,697,772	10/1987	Kosugi et al. ....	248/183

## OTHER PUBLICATIONS

Heiwa Tripod Catalog, 1983, p. 5 (HS-614B tripod).

*Primary Examiner*—Melvin B. Feifer

*Assistant Examiner*—Adir Aronovich

*Attorney, Agent, or Firm*—Beehler & Pavitt

## [57] CLAIM

The ornamental design for a video camera tripod, as shown and described.

## DESCRIPTION

FIG. 1 is a front right perspective view of a video camera tripod showing my new design with the tripod legs fully extended and deployed;

FIG. 2 is an enlarged right side elevational view thereof;

FIG. 3 is a front elevational view thereof;

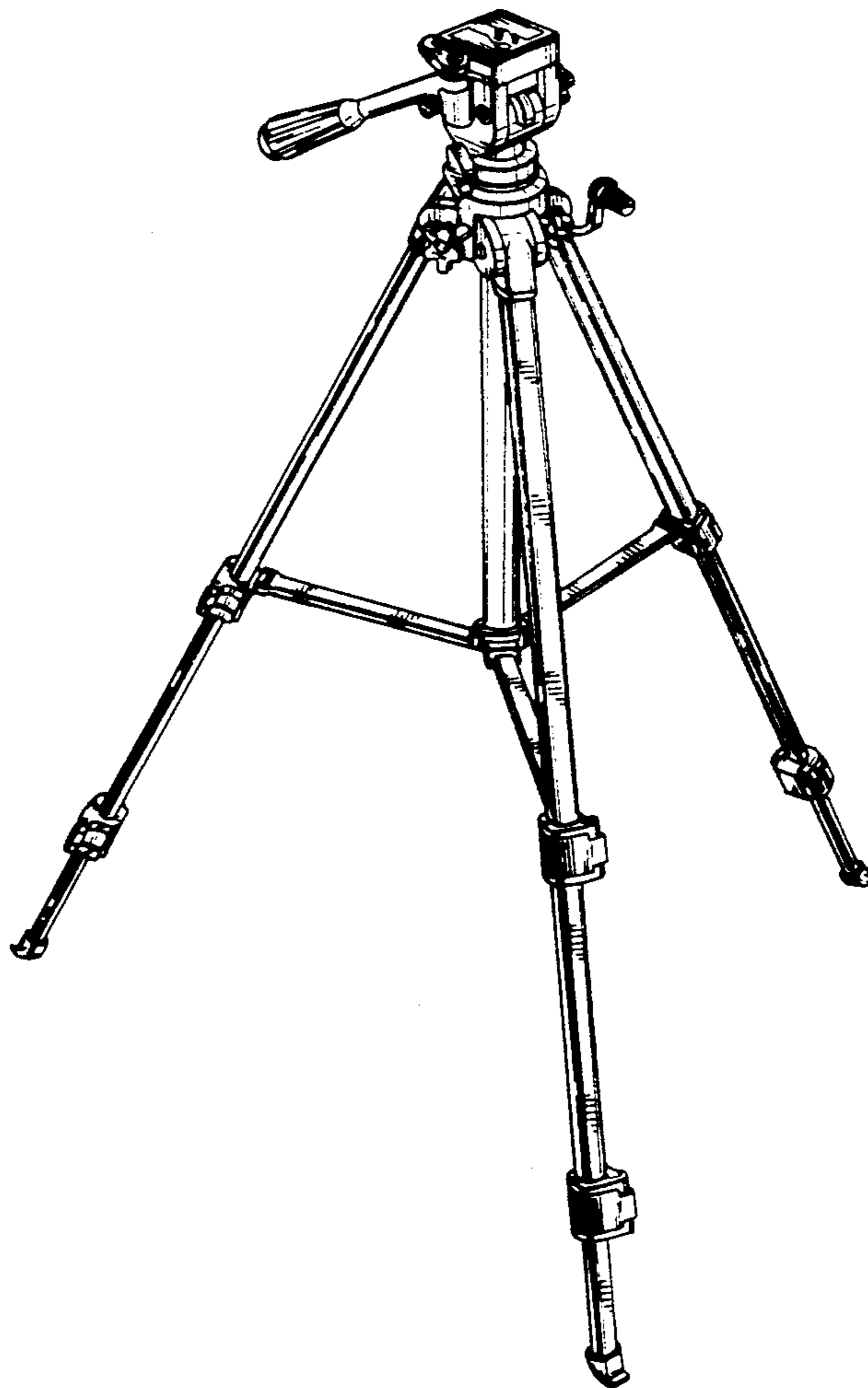
FIG. 4 is a top plan view thereof;

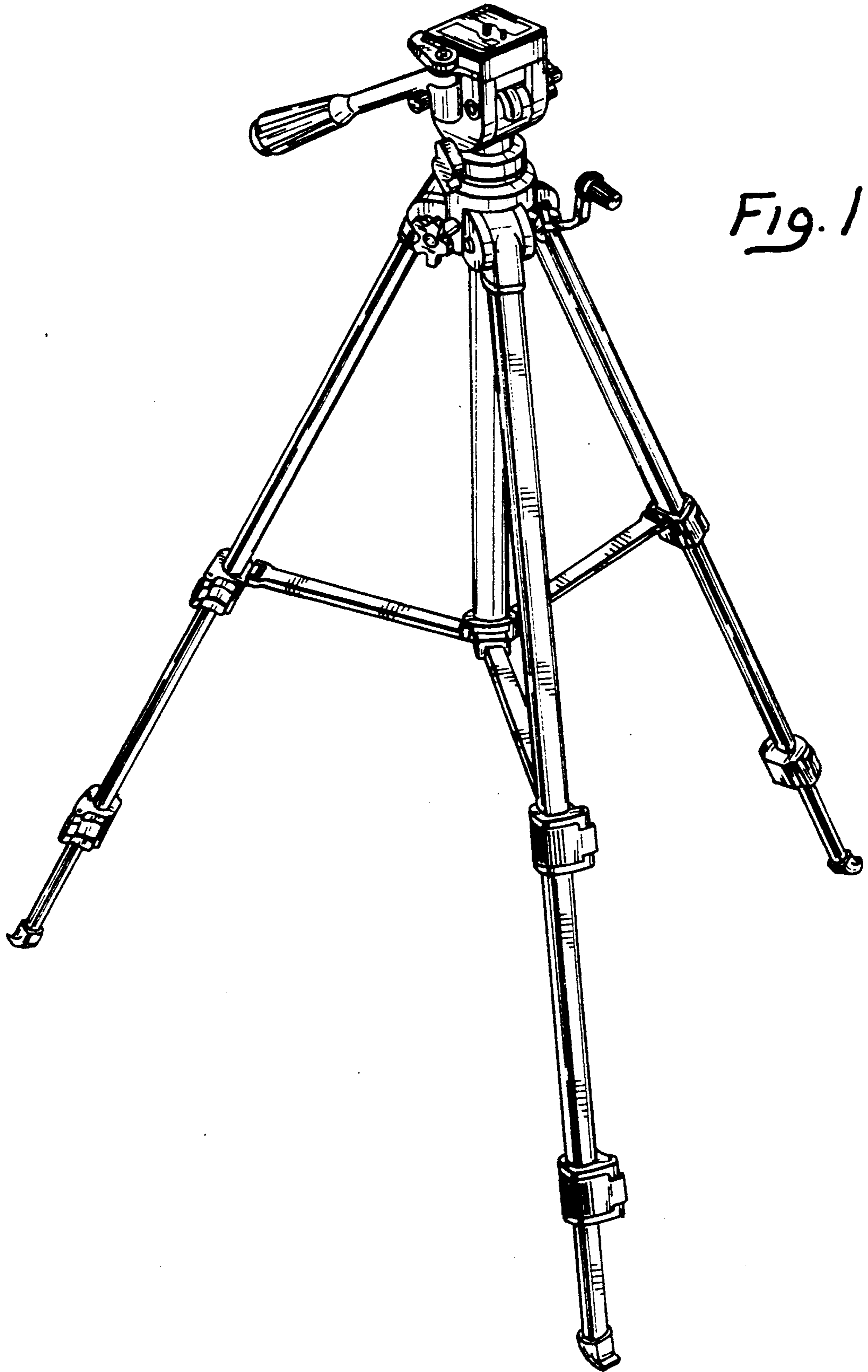
FIG. 5 is a left side elevational view thereof;

FIG. 6 is a rear elevational view thereof; and,

FIG. 7 is a bottom plan view thereof.

Legs of the tripod in FIGS. 2-7 are shown fragmentarily for ease of illustration.





*Fig. 1*

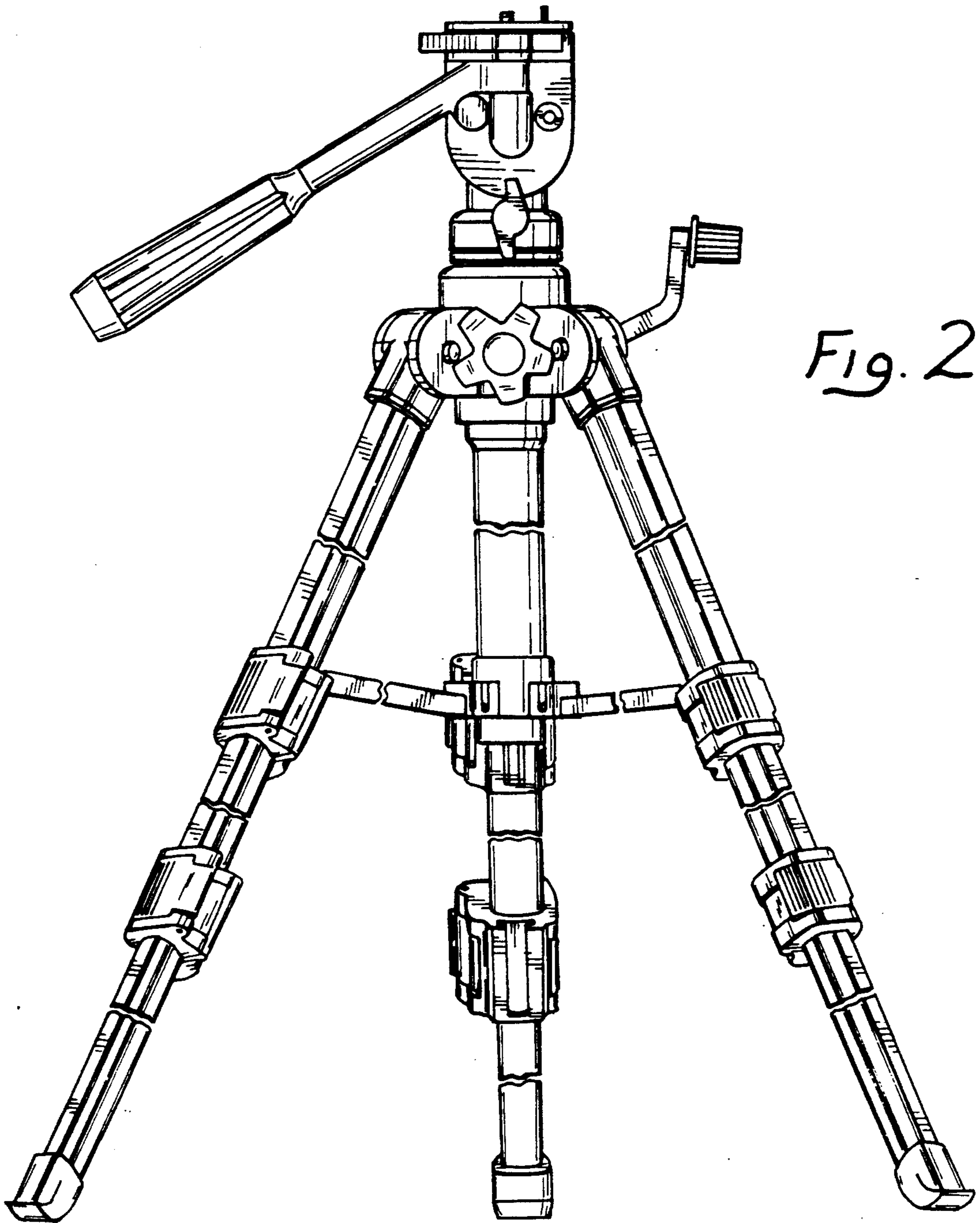
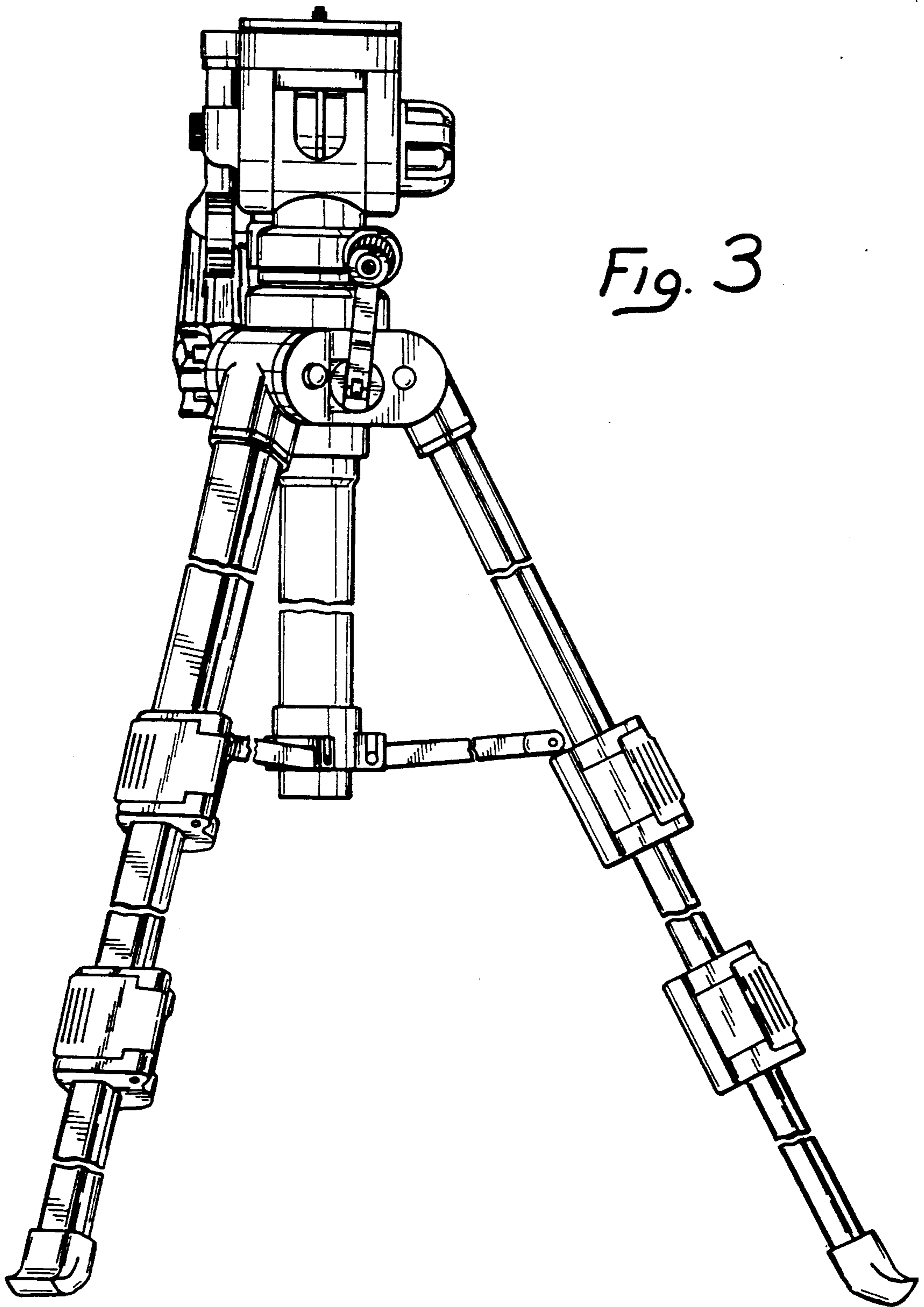


Fig. 2



*Fig. 3*

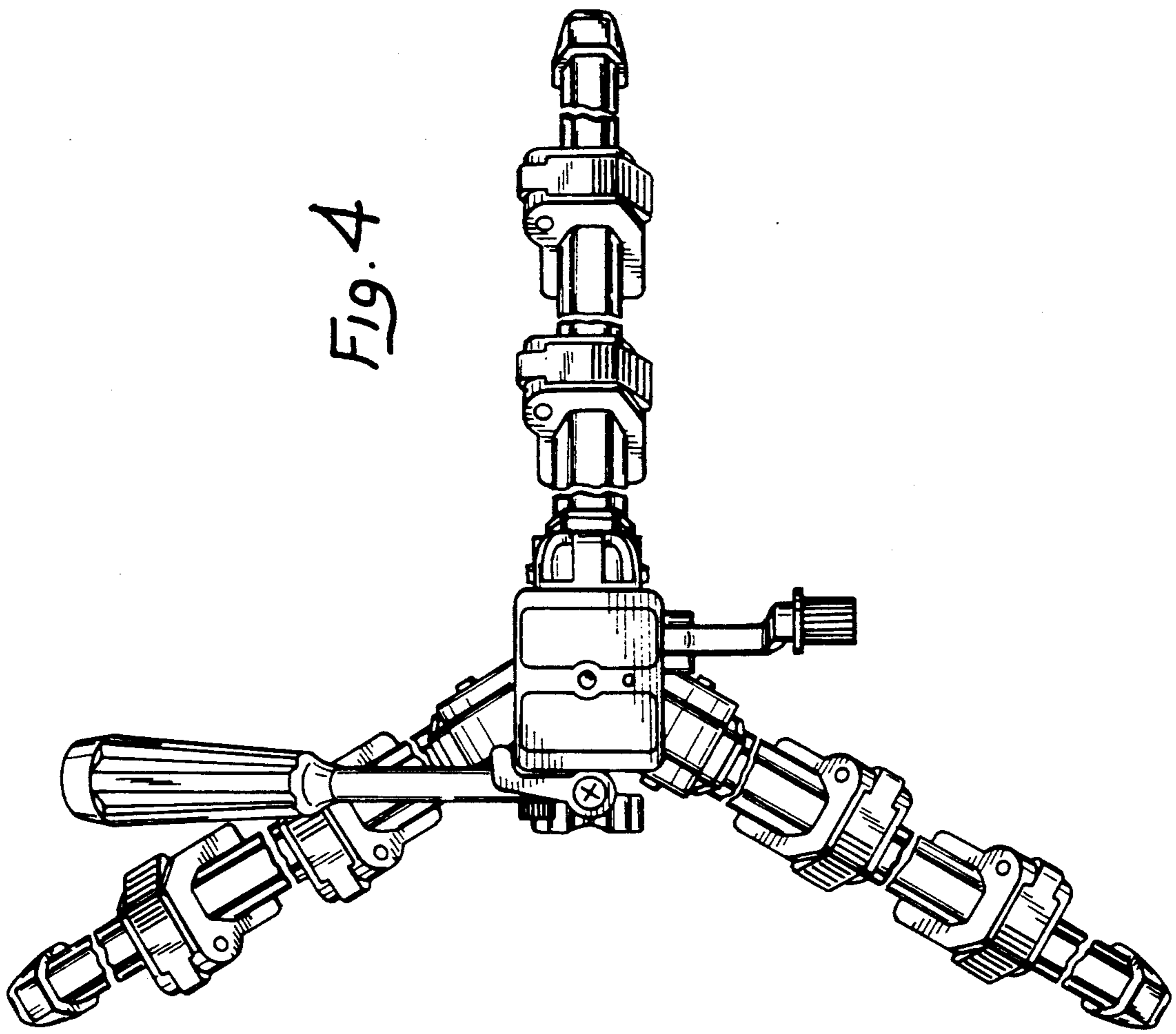
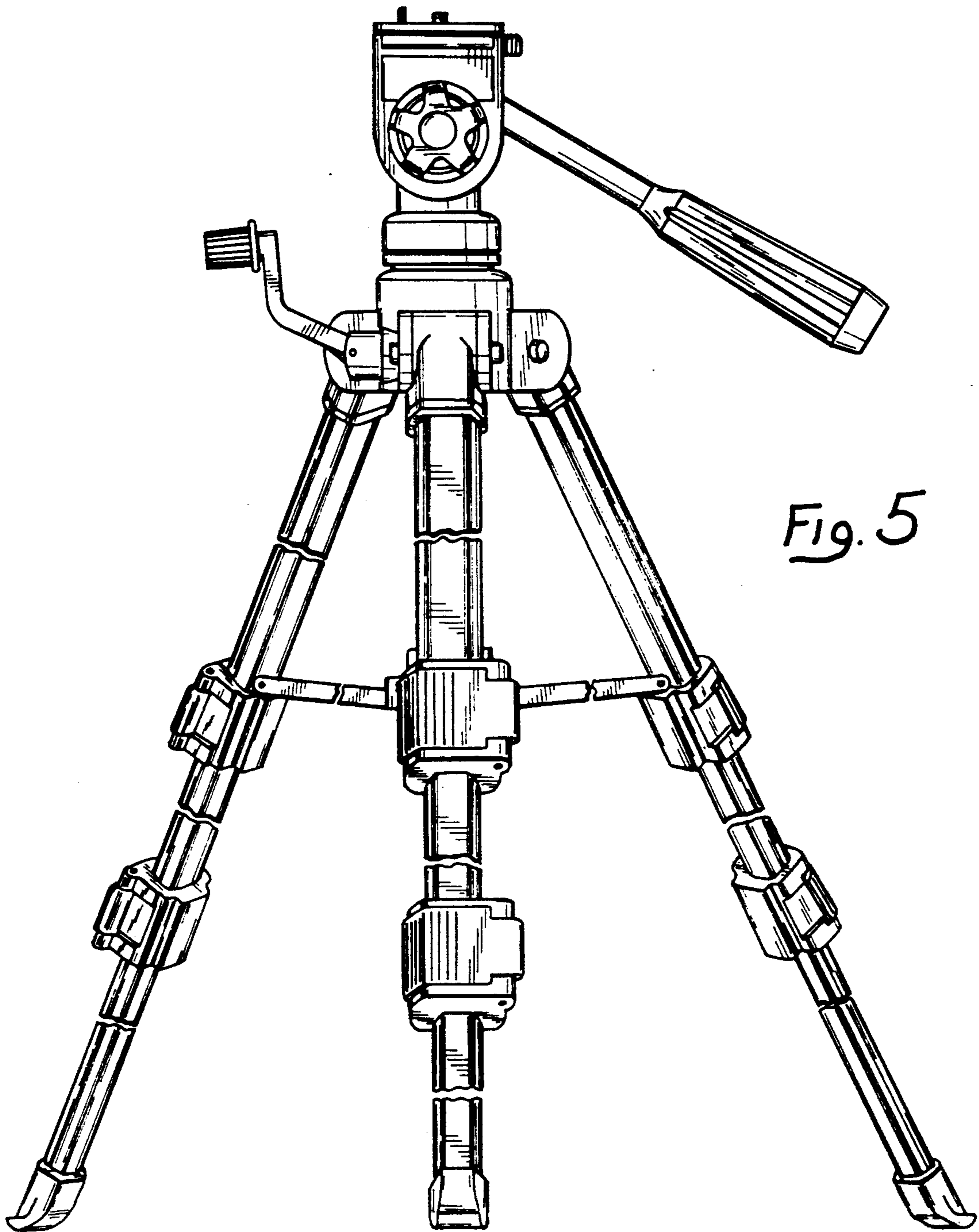


Fig. 4



*Fig. 5*

Fig. 6

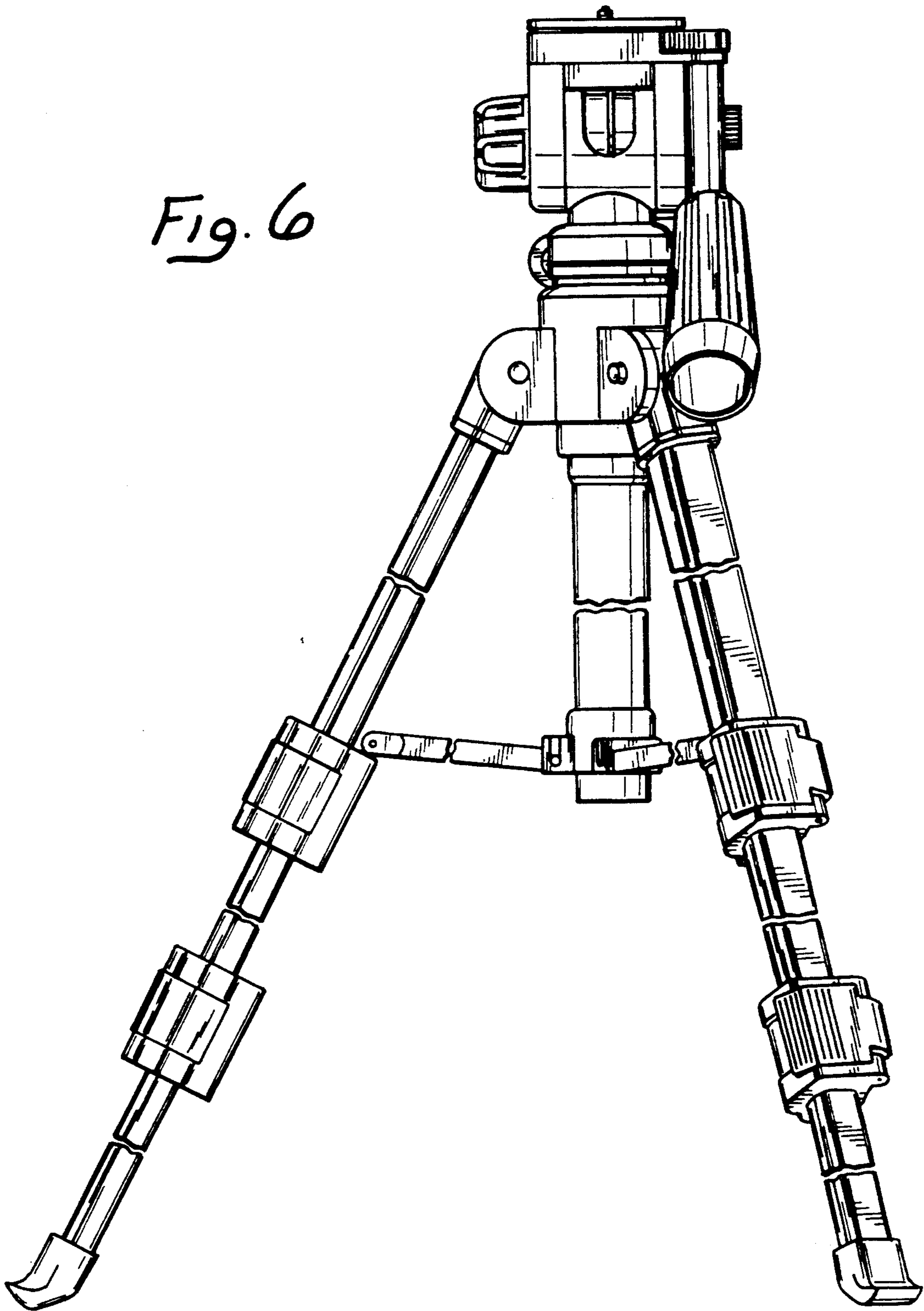


FIG. 7

