



US00D344965S

# United States Patent [19]

**Kahaney**

[11] **Patent Number: Des. 344,965**

[45] **Date of Patent: \*\* Mar. 8, 1994**

[54] **TEMPLE MEMBER FOR SUNGLASSES**

[76] **Inventor: Alan Kahaney, 2212 Place Monaco, Del Mar, Calif. 92014**

[\*\*] **Term: 14 Years**

[21] **Appl. No.: 3,921**

[22] **Filed: Jan. 21, 1993**

[52] **U.S. Cl. .... D16/127**

[58] **Field of Search ..... 351/44, 51, 87, 88, 351/103, 105, 111, 114, 119, 116, 122, 123, 138; 2/439, 449, 452; D16/102, 107, 111, 112, 114, 115, 116, 117, 118, 119, 121, 127; D29/8, 9**

[56] **References Cited**

**U.S. PATENT DOCUMENTS**

D. 311,197 10/1990 Jannard ..... D16/112

D. 319,647 9/1991 Wilson ..... D16/102  
D. 330,718 11/1992 Hatchiguian ..... D16/127  
3,394,980 7/1968 Dym ..... 351/116  
3,620,608 11/1971 Davis ..... 351/123

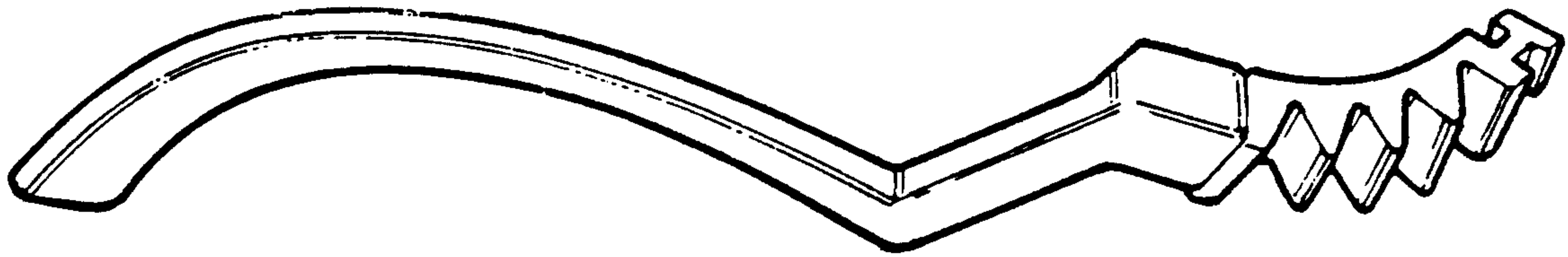
*Primary Examiner*—Bernard Ansher  
*Assistant Examiner*—R. Barkai  
*Attorney, Agent, or Firm*—Charles C. Logan, II

[57] **CLAIM**

The ornamental design for a temple member for sunglasses, as shown and described.

**DESCRIPTION**

FIG. 1 is a left side elevation view of the temple member for sunglasses showing my new design;  
FIG. 2 is a bottom plan view thereof;  
FIG. 3 is an inverted right side elevation view thereof;  
and,  
FIG. 4 is a left side perspective view thereof.



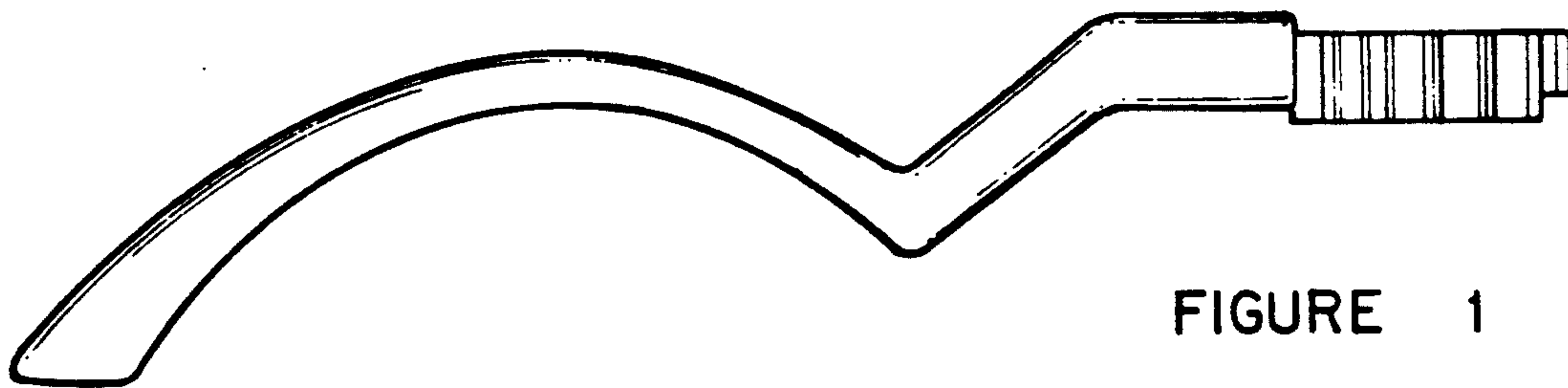


FIGURE 1

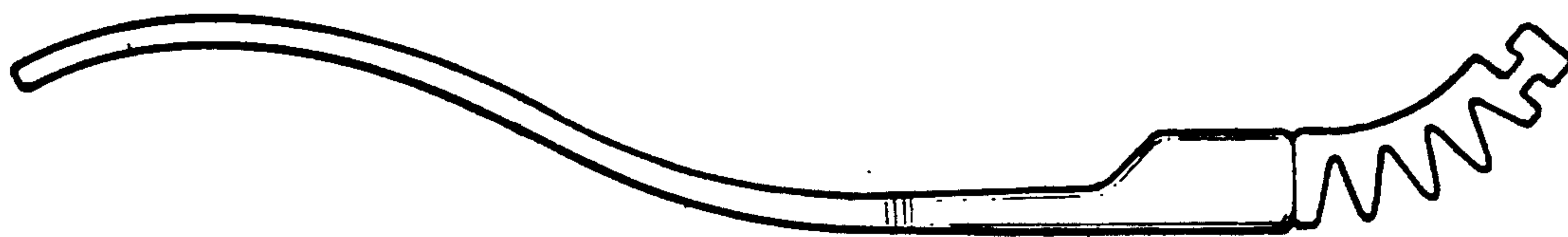


FIGURE 2



FIGURE 3

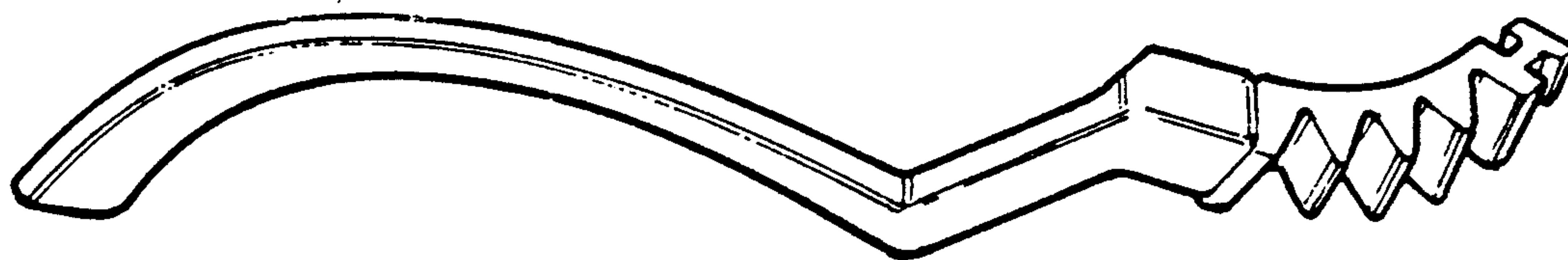


FIGURE 4