



US00D344963S

United States Patent [19]

[11] Patent Number: **Des. 344,963**

Lawhorn

[45] Date of Patent: **** Mar. 8, 1994**

[54] **LASER LATHE**

5,221,306 6/1993 Fleming, Jr. et al. .

[76] Inventor: **Jeffrey W. Lawhorn**, 102 N. Peach St., DuQuoin, Ill. 62683

Primary Examiner—Nelson C. Holtje
Assistant Examiner—Antoine D. Davis
Attorney, Agent, or Firm—Terry M. Gernstein

[**] Term: **14 Years**

[57] **CLAIM**

[21] Appl. No.: **938,351**

The ornamental design for a laser lathe, as shown and described.

[22] Filed: **Sep. 2, 1992**

[52] U.S. Cl. **D15/130**

DESCRIPTION

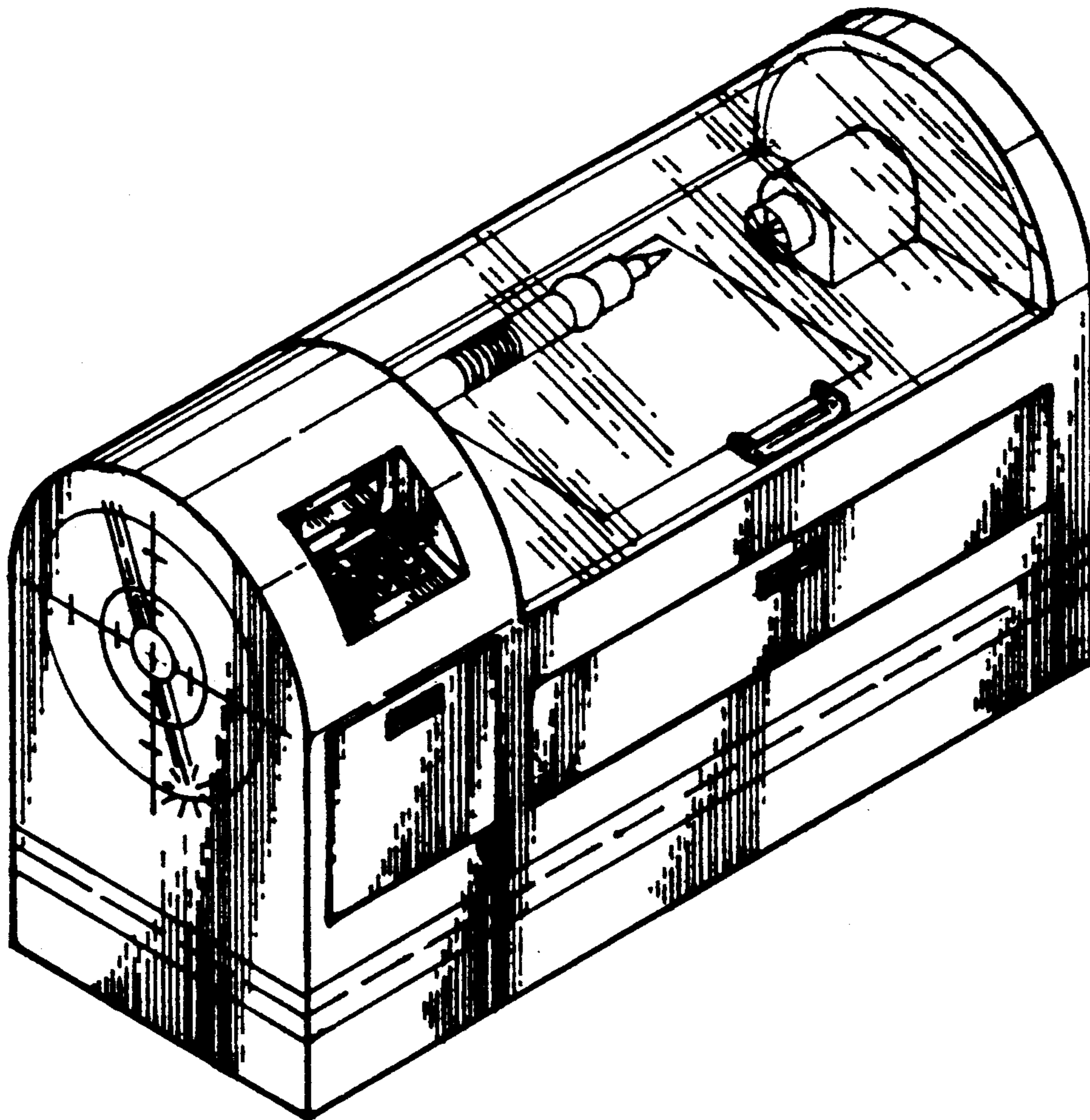
[58] Field of Search 82/1.11, 115, 117-120, 82/152, 170; 409/136; 219/121.69, 121.68; **D15/130**

FIG. 1 is a front, top and side perspective view of a laser lathe showing my new design;
FIG. 2 is a front end elevational view thereof, the rear being a mirror image of the front shown in FIG. 2;
FIG. 3 is a side elevational view thereof;
FIG. 4 is a side elevational view thereof, opposite to the side in FIG. 3;
FIG. 5 is a top plan view thereof; and,
FIG. 6 is a bottom plan view thereof.

[56] **References Cited**

U.S. PATENT DOCUMENTS

- D. 186,627 11/1959 Romine D15/124
- D. 265,204 6/1982 Turchan et al. D15/130
- 4,229,640 10/1980 Longo 82/1.11 X



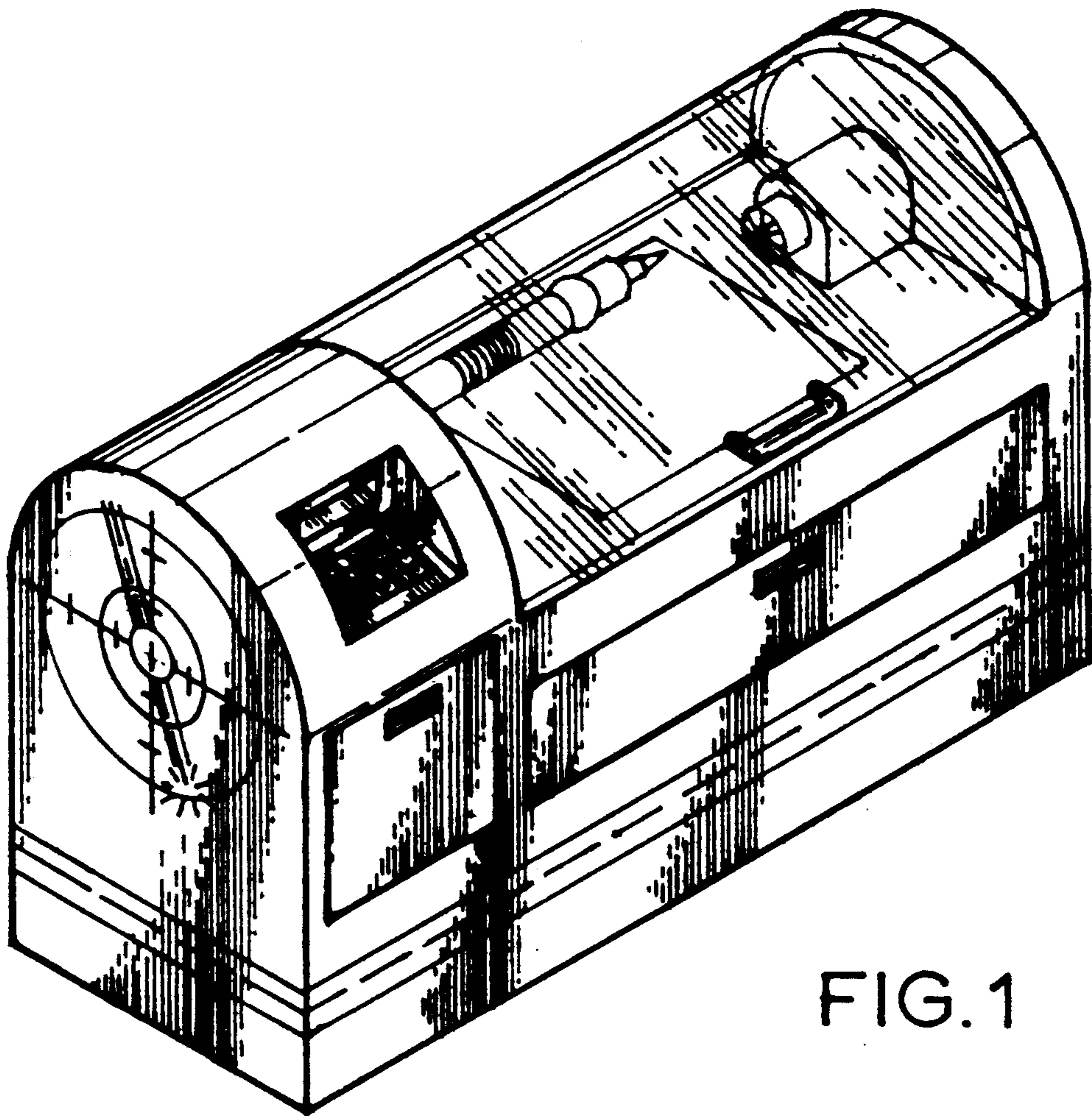


FIG. 1

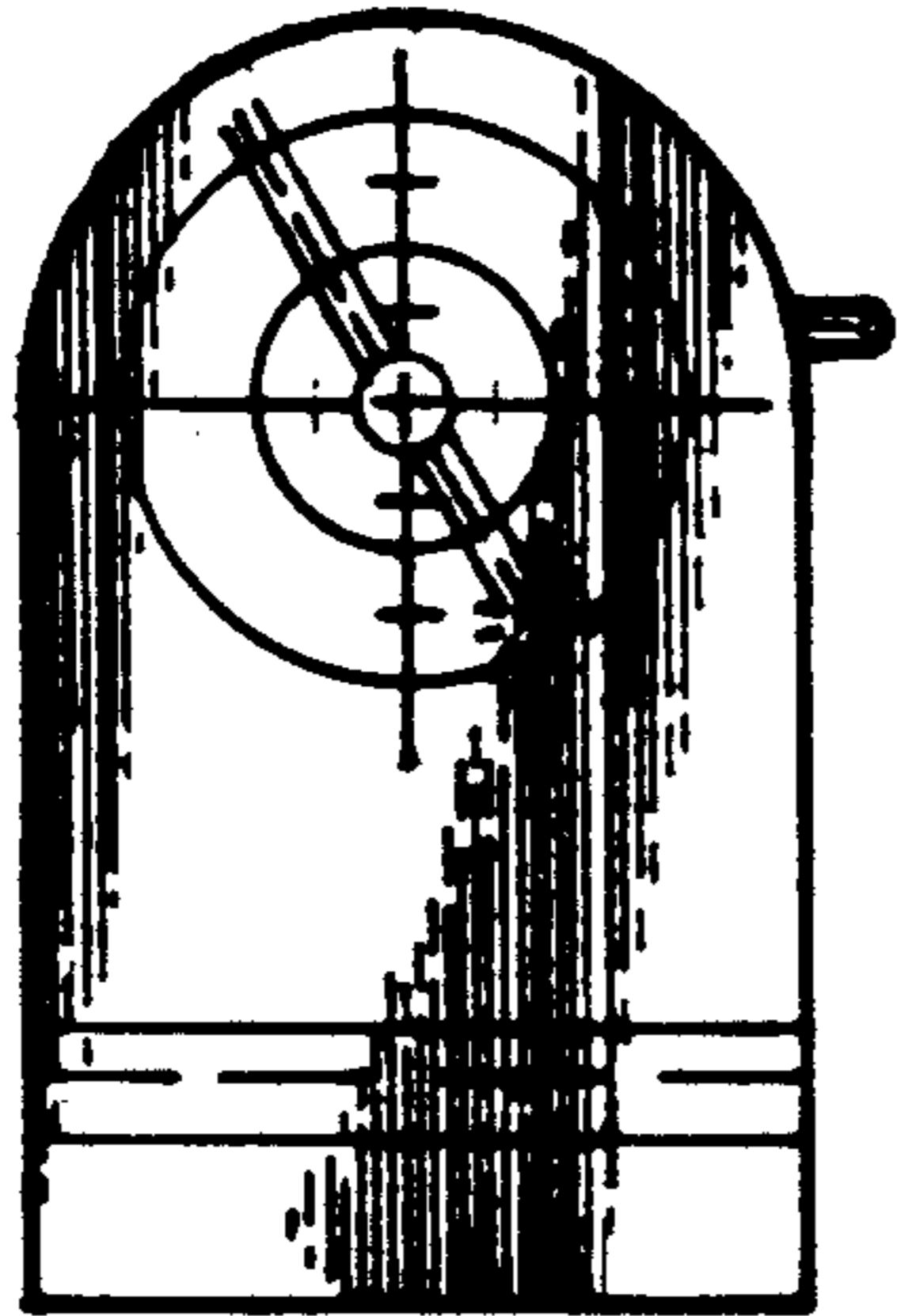


FIG. 2

FIG. 3

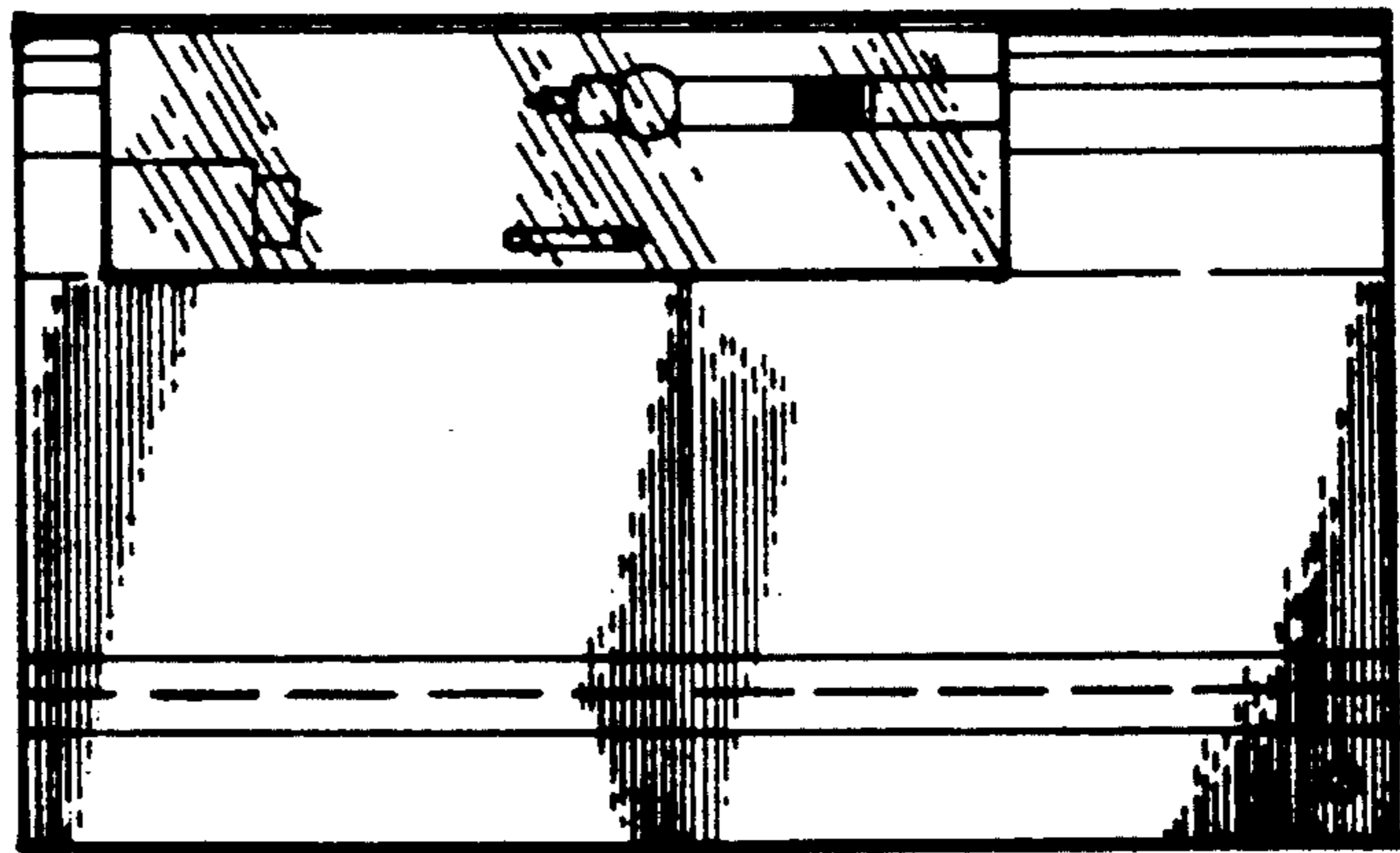


FIG. 4

FIG. 5

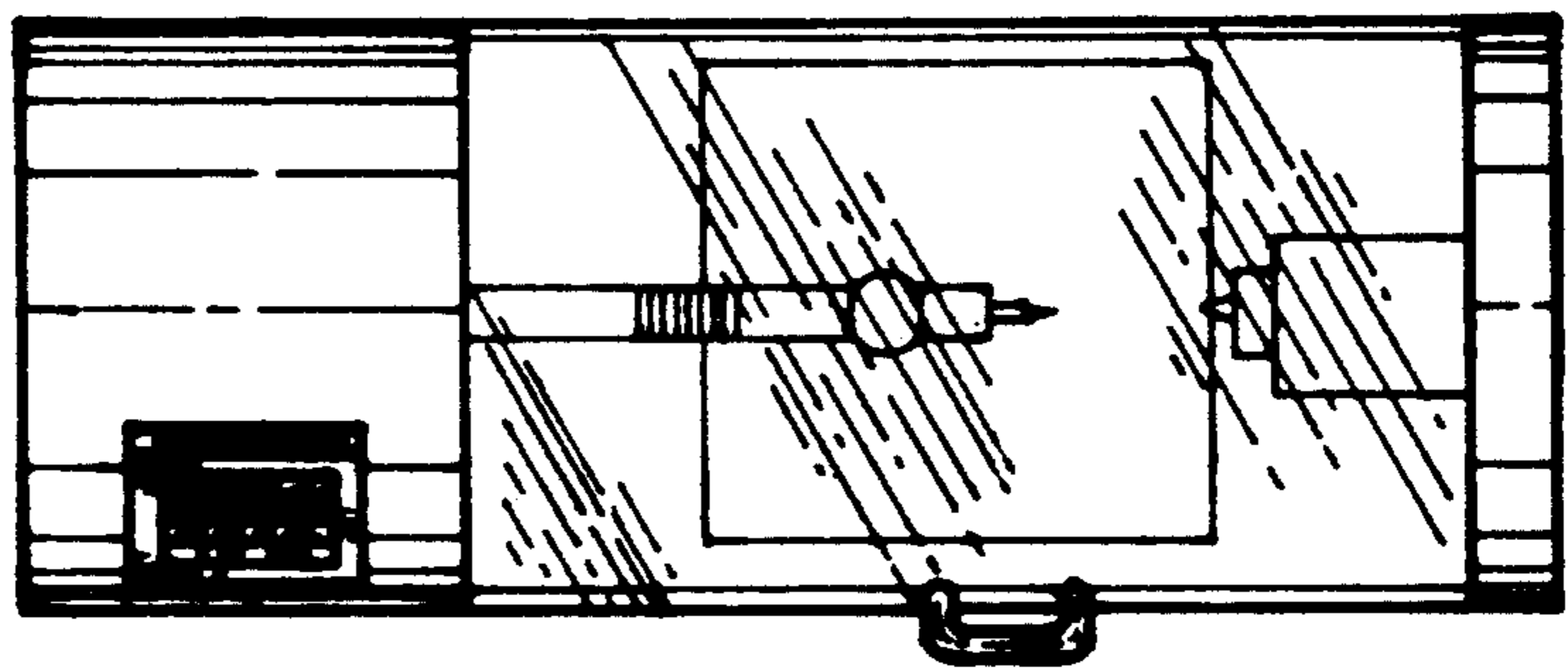


FIG. 6

