



US00D344961S

United States Patent [19]

Kallen

[11] Patent Number: **Des. 344,961**

[45] Date of Patent: **** Mar. 8, 1994**

[54] **TIMBER LIFTING FORK**

[75] Inventor: **Karl-Gustav Kallen, Eskilstuna, Sweden**

[73] Assignee: **VME Industries Sweden AB, Eskilstuna, Sweden**

[**] Term: **14 Years**

[21] Appl. No.: **2,855**

[22] Filed: **Dec. 22, 1992**

D. 332,271	1/1993	DuBose et al.	D15/32
4,210,219	7/1980	Oswald et al.	414/739
4,248,471	7/1981	LaBounty	414/739
4,285,628	8/1981	Jankowski	414/739
4,413,945	11/1983	LaBounty	414/739
4,519,739	5/1985	Risch	414/739
4,818,005	4/1989	Purser	414/739
4,928,410	5/1990	Walters et al.	414/739

Primary Examiner—Bernard Ansher
Assistant Examiner—Sandra Morris
Attorney, Agent, or Firm—Young & Thompson

[30] **Foreign Application Priority Data**

Jun. 22, 1992 [SE] Sweden 92-1345

[52] U.S. Cl. **D15/32**

[58] Field of Search 414/729, 739; 37/120; D15/10, 28, 32

[57] **CLAIM**

The ornamental design for a timber lifting fork, as shown.

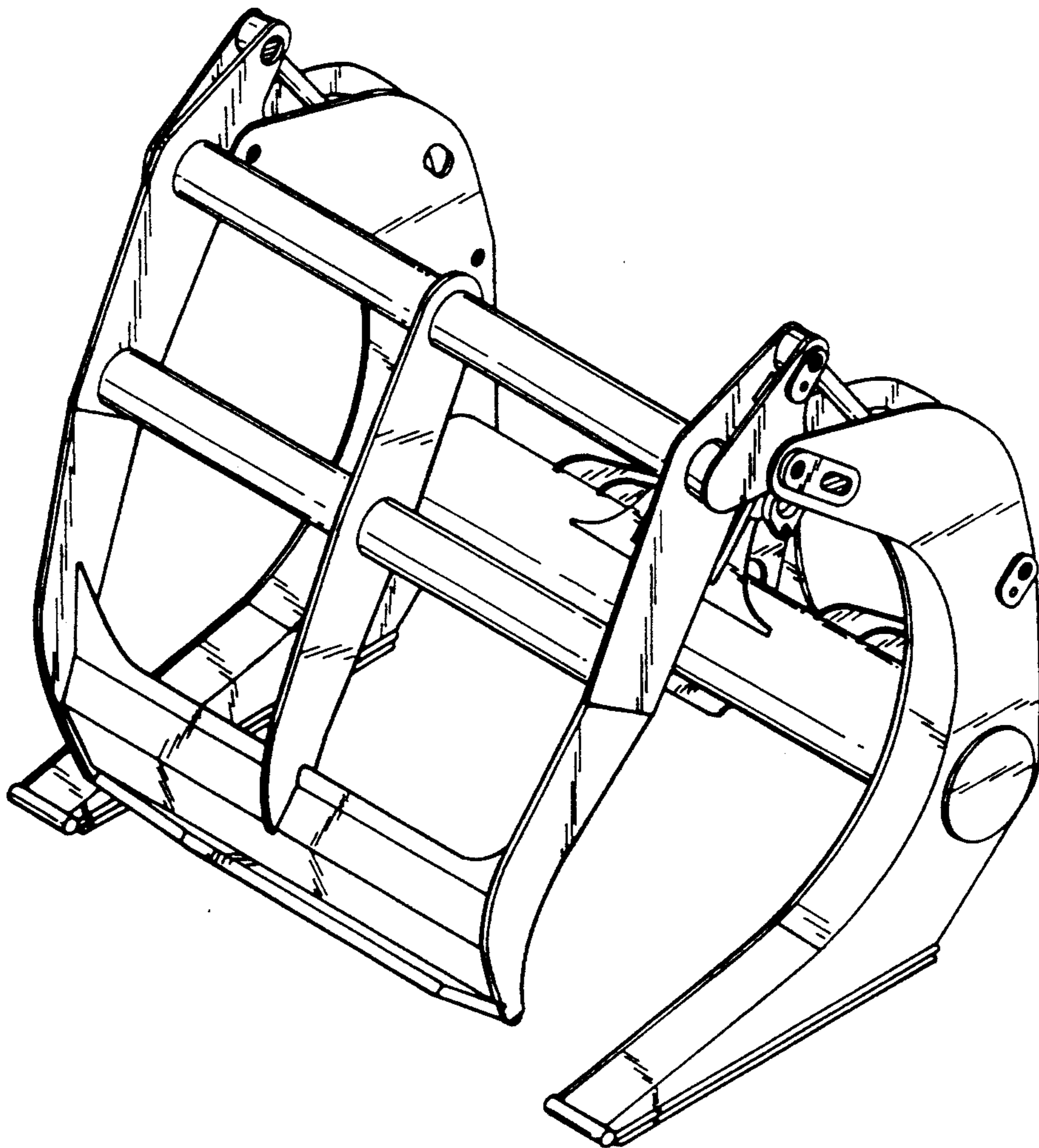
[56] **References Cited**

U.S. PATENT DOCUMENTS

D. 306,599 3/1990 Hunter D15/32

DESCRIPTION

FIG. 1 is a front perspective view of a timber lifting fork, showing my new design;
 FIG. 2 is a rear perspective view thereof;
 FIG. 3 is a right side elevational view thereof; and,
 FIG. 4 is a left side elevational view thereof.



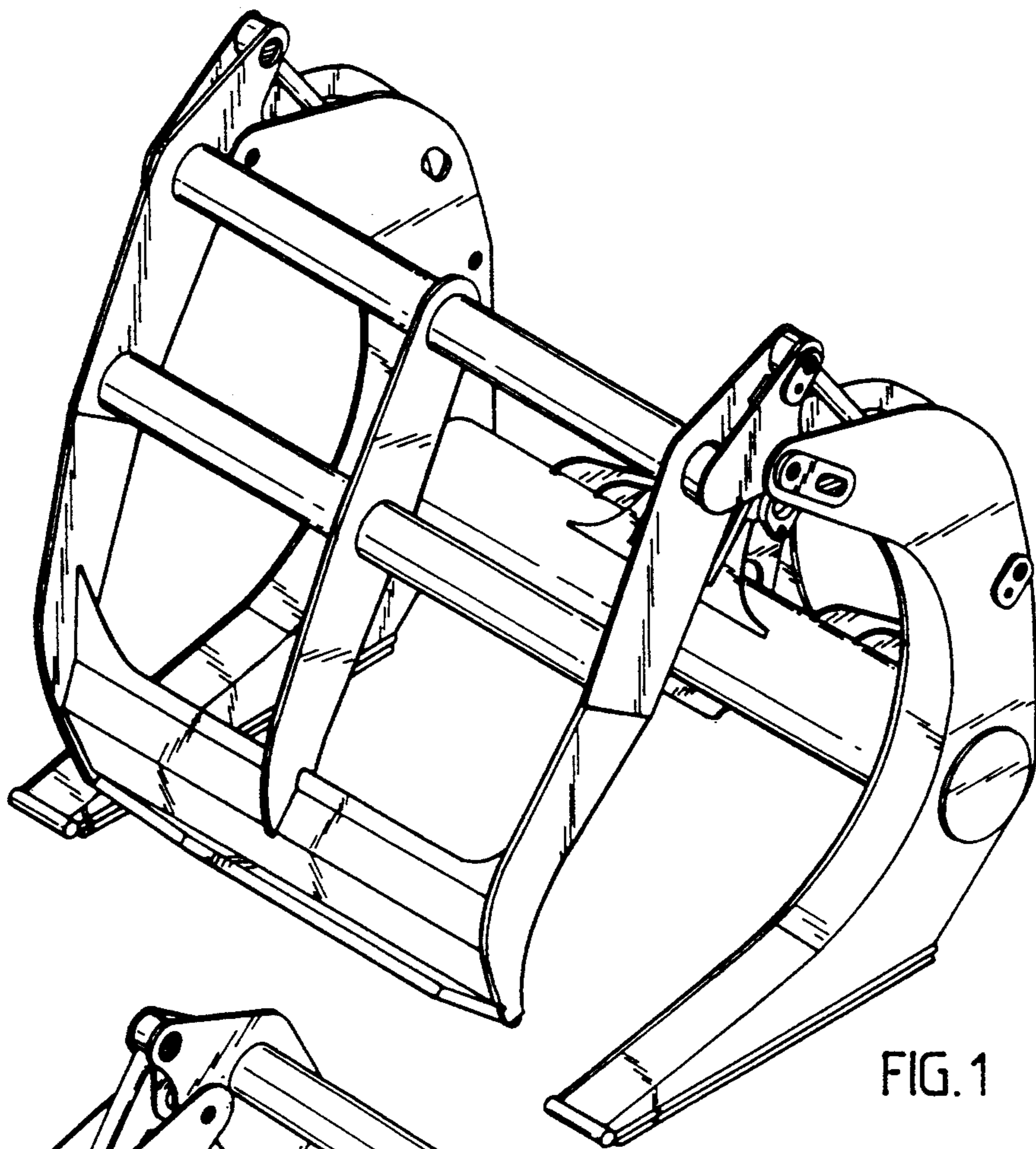


FIG. 1

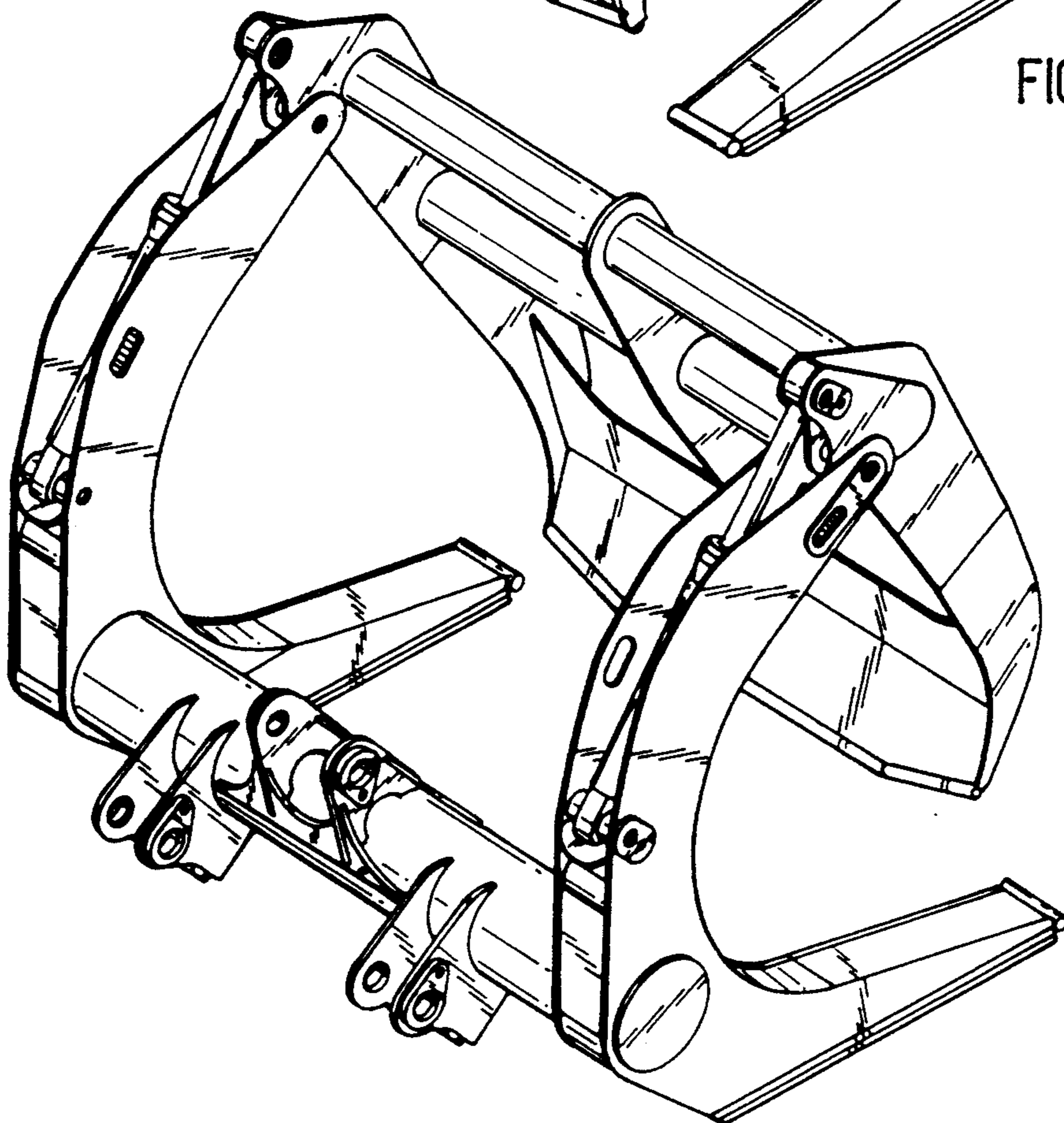


FIG. 2

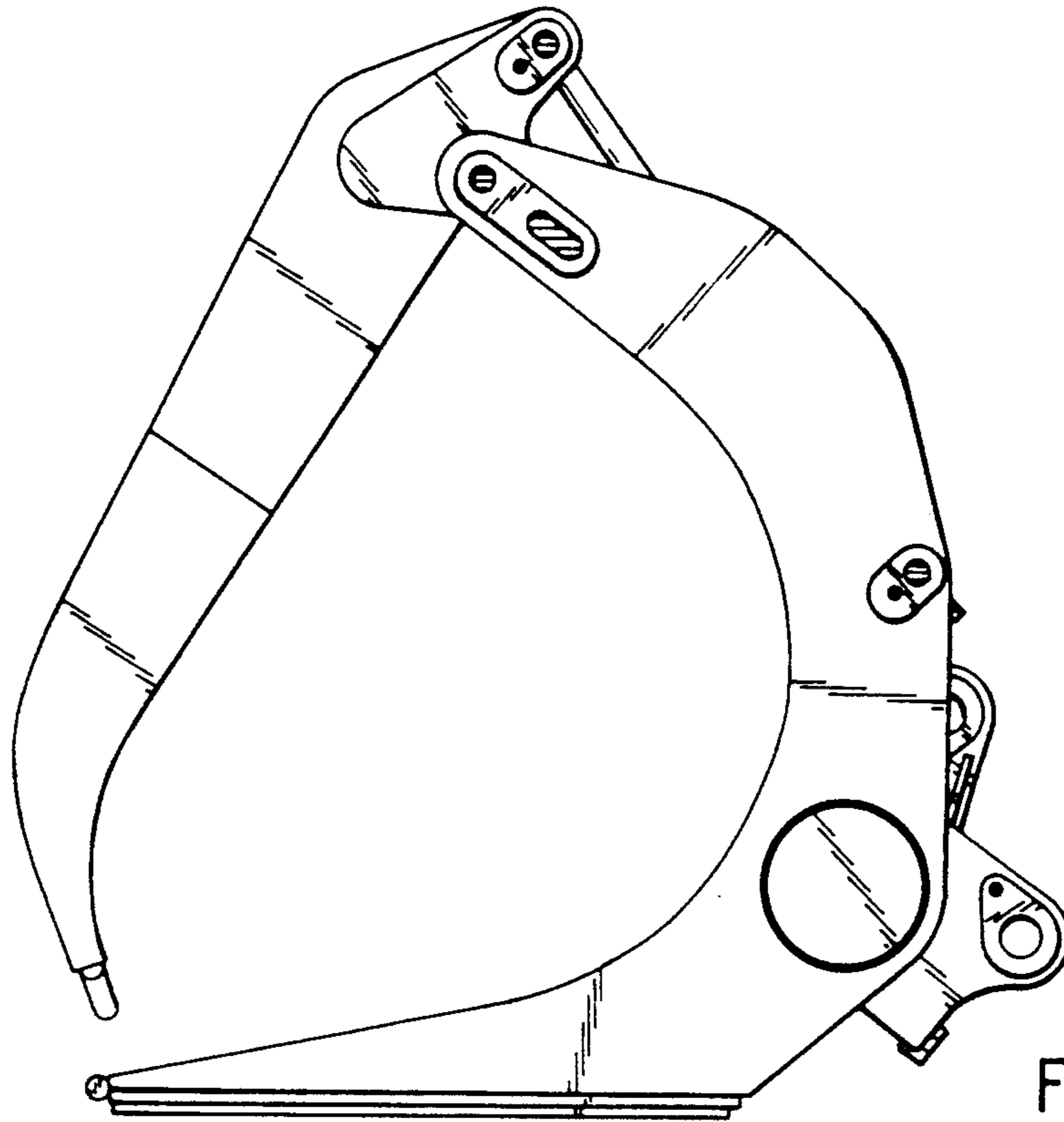


FIG. 3

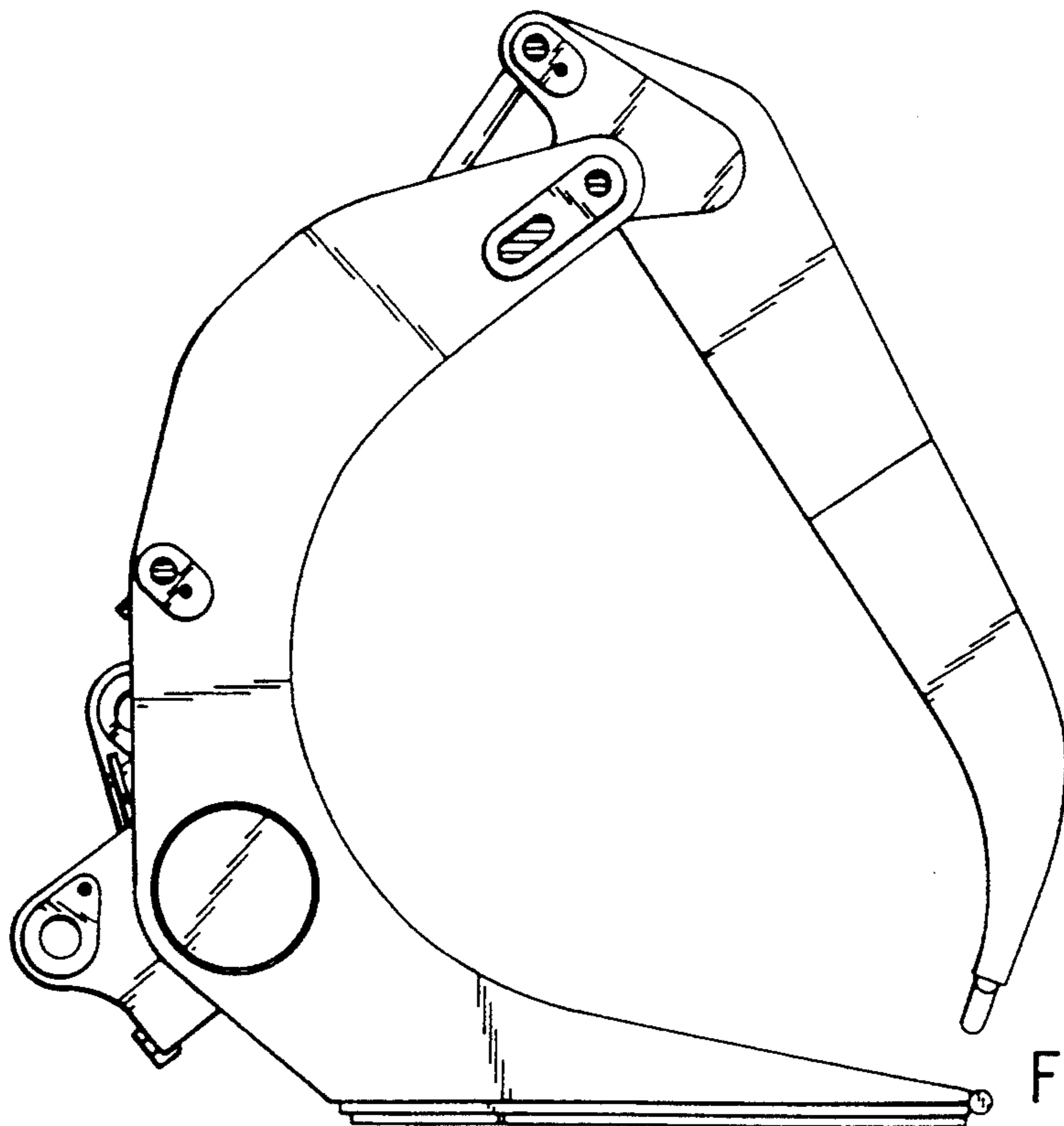


FIG. 4