



US00D344960S

United States Patent [19]

[11] Patent Number: **Des. 344,960**

Patterson et al.

[45] Date of Patent: **** Mar. 8, 1994**

[54] **VEHICLE FRONT TRIM**

[75] Inventors: **Jon M. Patterson, Wauwatosa, Wis.; James H. Weitz, Ridgewood, N.J.; Daniel R. Nickeles, Hewitt, N.J.; William E. Crookes, Waldwick, N.J.**

[73] Assignee: **Deere & Company, Moline, Ill.**

[**] Term: **14 Years**

[21] Appl. No.: **830,169**

[22] Filed: **Jan. 31, 1992**

[52] U.S. Cl. **D15/17**

[58] Field of Search **56/13.4, 16.7, 17.5, 56/202, 255, 294, 320.1, 320.2; D15/14-18, 23, 31**

[56] **References Cited**

U.S. PATENT DOCUMENTS

D. 227,392	6/1973	Skyer et al.	D15/15
D. 236,366	8/1975	Leinhauser	D15/31
D. 248,655	7/1978	Klein	D15/15
D. 284,968	8/1986	Watanabe et al.	D15/15
D. 293,683	1/1988	Mizushima et al.	D15/15
D. 327,276	6/1992	Sorensen	D15/31
5,171,055	12/1992	Hutchison et al.	D15/15

OTHER PUBLICATIONS

Deere & Company, John Deere Riding Mowers, 8 pages, 1991, published in U.S.A.
Deere & Company, John Deere F700 Series Front Mowers, 4 pages, 1992, published in U.S.A.

Deere & Company, John Deere F500 Series Front Mowers, 8 pages, 1991, published in U.S.A.

Deere & Company, John Deere Front Mowers F1145/F900 Series, 8 pages, 1992, published in U.S.A.

Kubota Tractor Corporation, Kubota Lawn Tractors T1400H/T1600H/T1700HX, 16 pages, Feb. 1991, published in U.S.A.

American Honda Motor Co. Inc., Honda Utility Tractor, 6 pages, 1987, published in U.S.A.

Ford New Holland, Inc., Ford 8-to 18-hp Lawn, Yard and Garden Tractors, Riding Mowers, 20 pages, 1989, published in U.S.A.

Ariens Company, Ariens Tractors, 16 pages, 1987, published in U.S.A.

The Murray Ohio Manufacturing Company, The Clear Cut Choice. 1987, 40 pages, 1987, published in U.S.A.

Primary Examiner—Bernard Ansher

Assistant Examiner—Sandra Morris

[57] **CLAIM**

The ornamental design for a vehicle front trim, as shown and described.

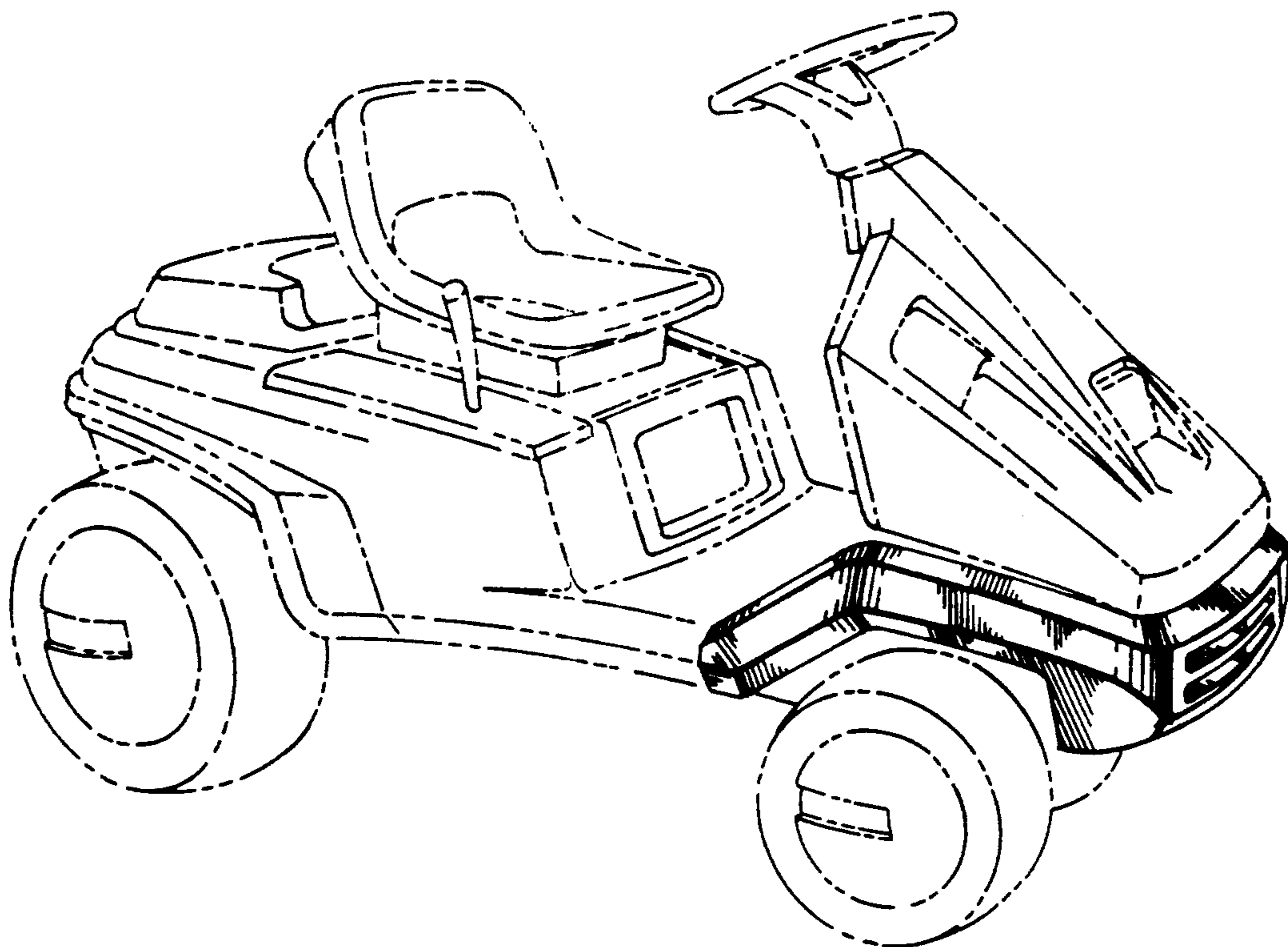
DESCRIPTION

FIG. 1 is a left side perspective view of a vehicle front trim, showing our new design, the broken line showing a tractor is for illustrative purposes only and forms no part of the claimed design;

FIG. 2 is a front elevational view thereof;

FIG. 3 is a left side elevational view thereof; and,

FIG. 4 is a right side elevational view thereof.



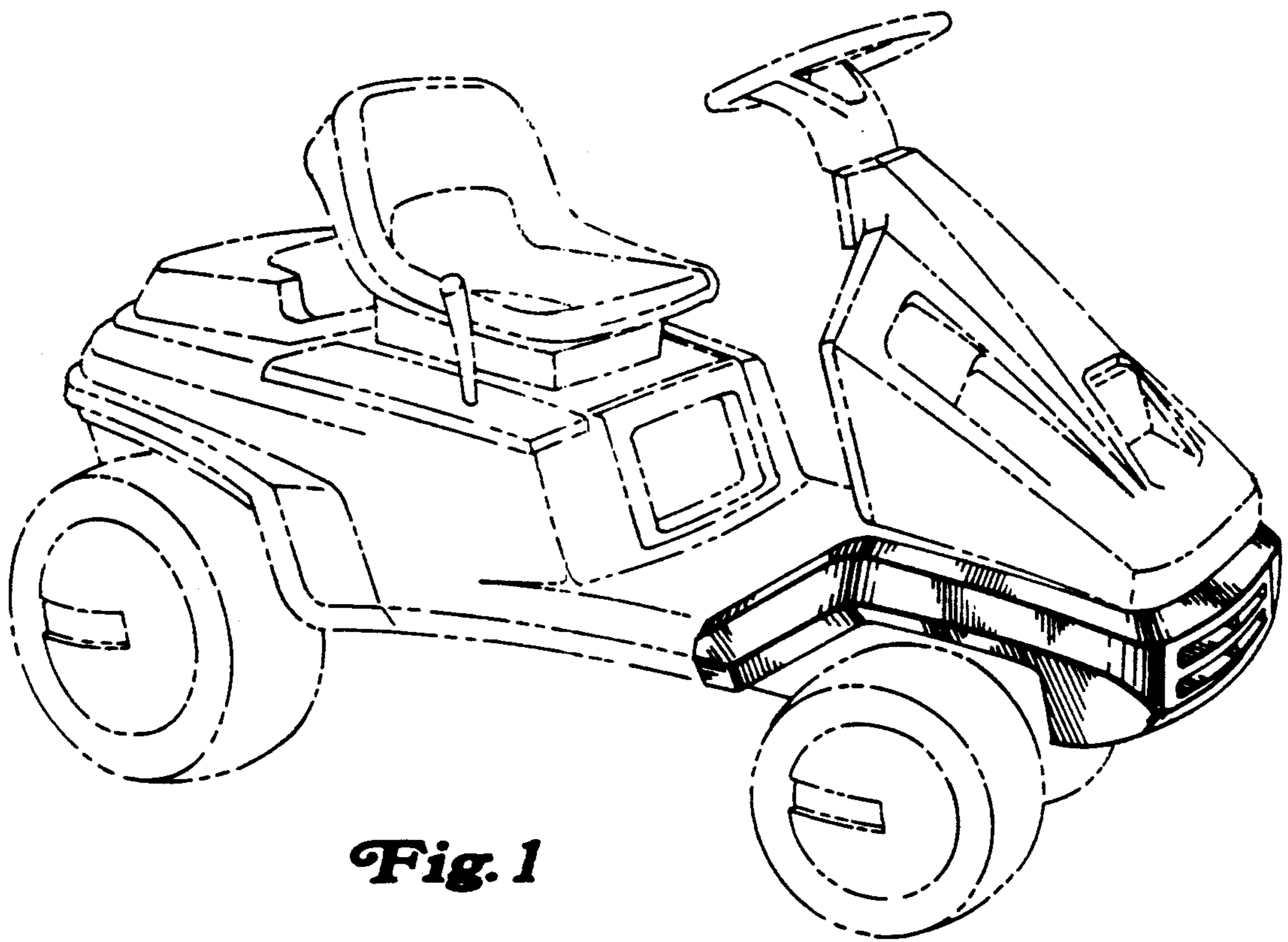


Fig. 1

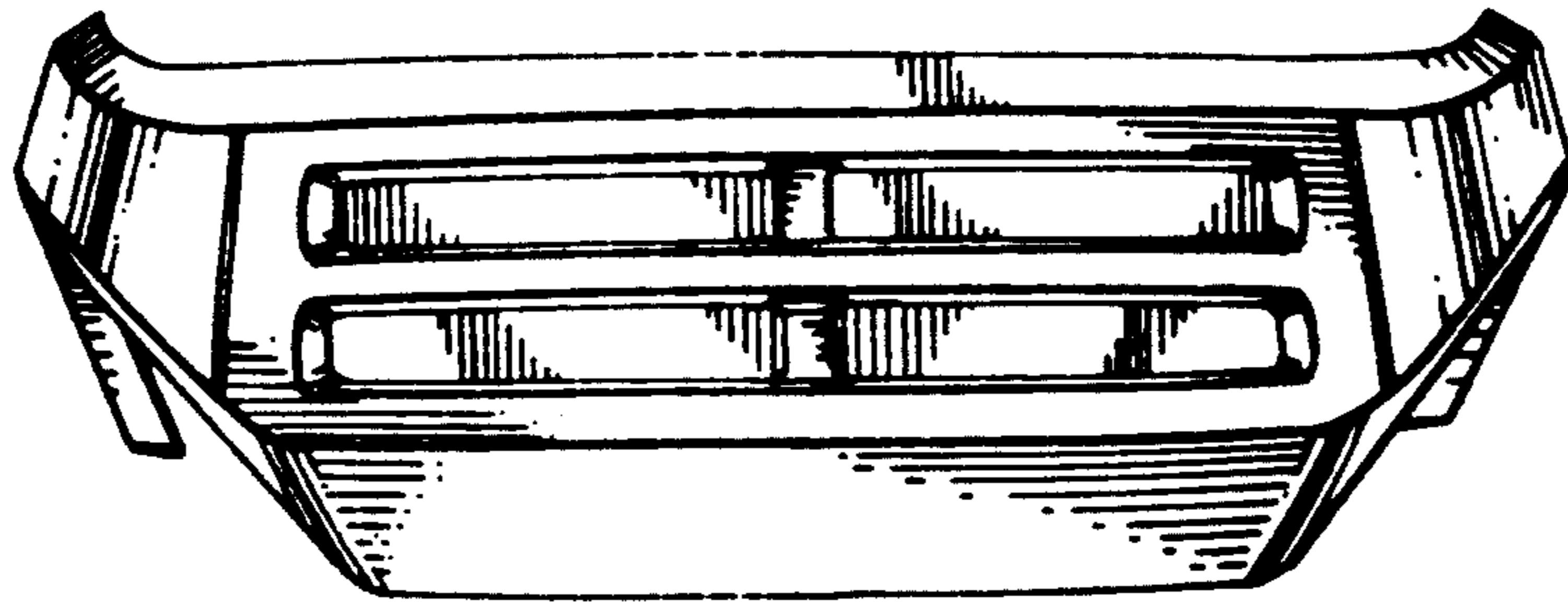


Fig. 2

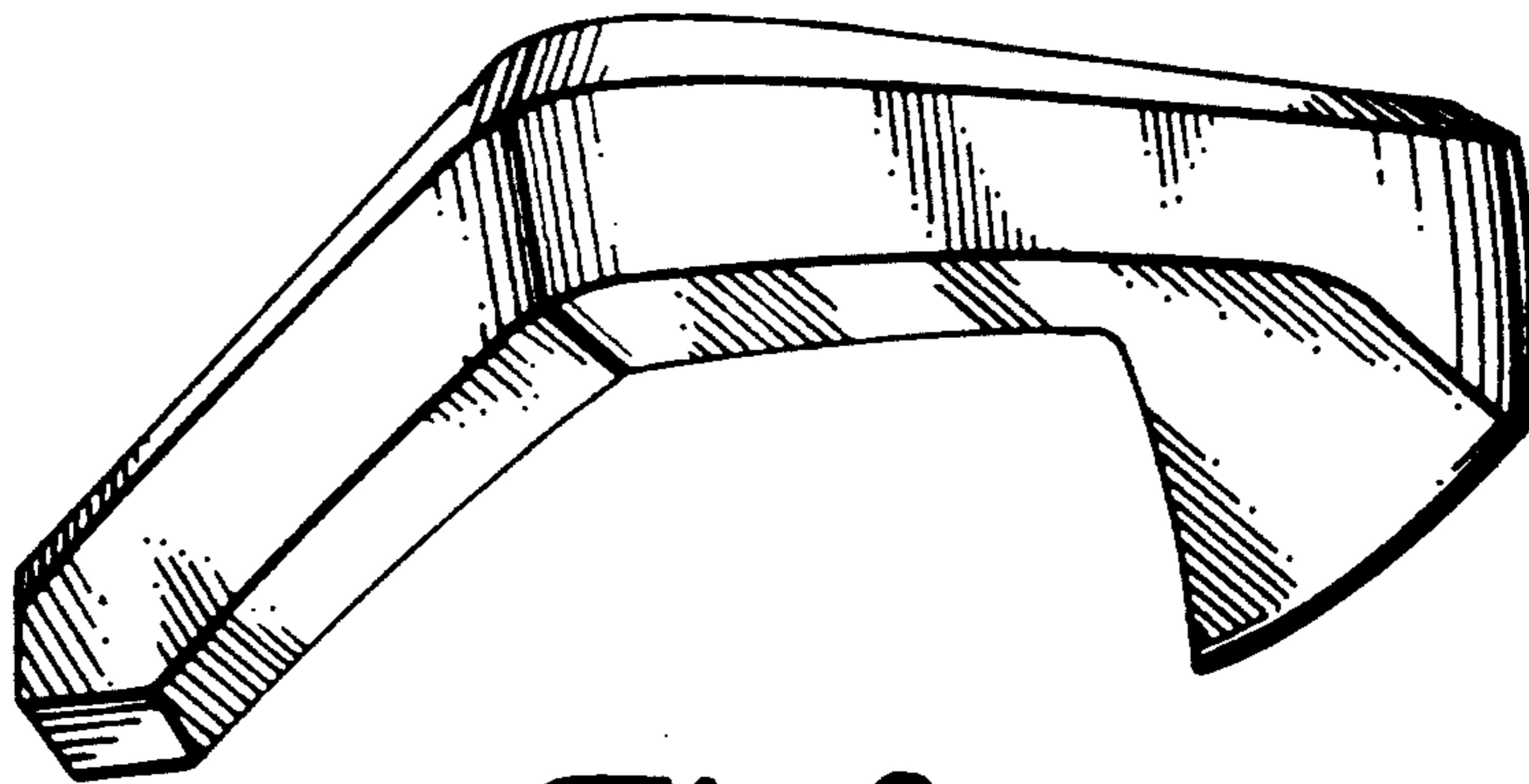


Fig. 3

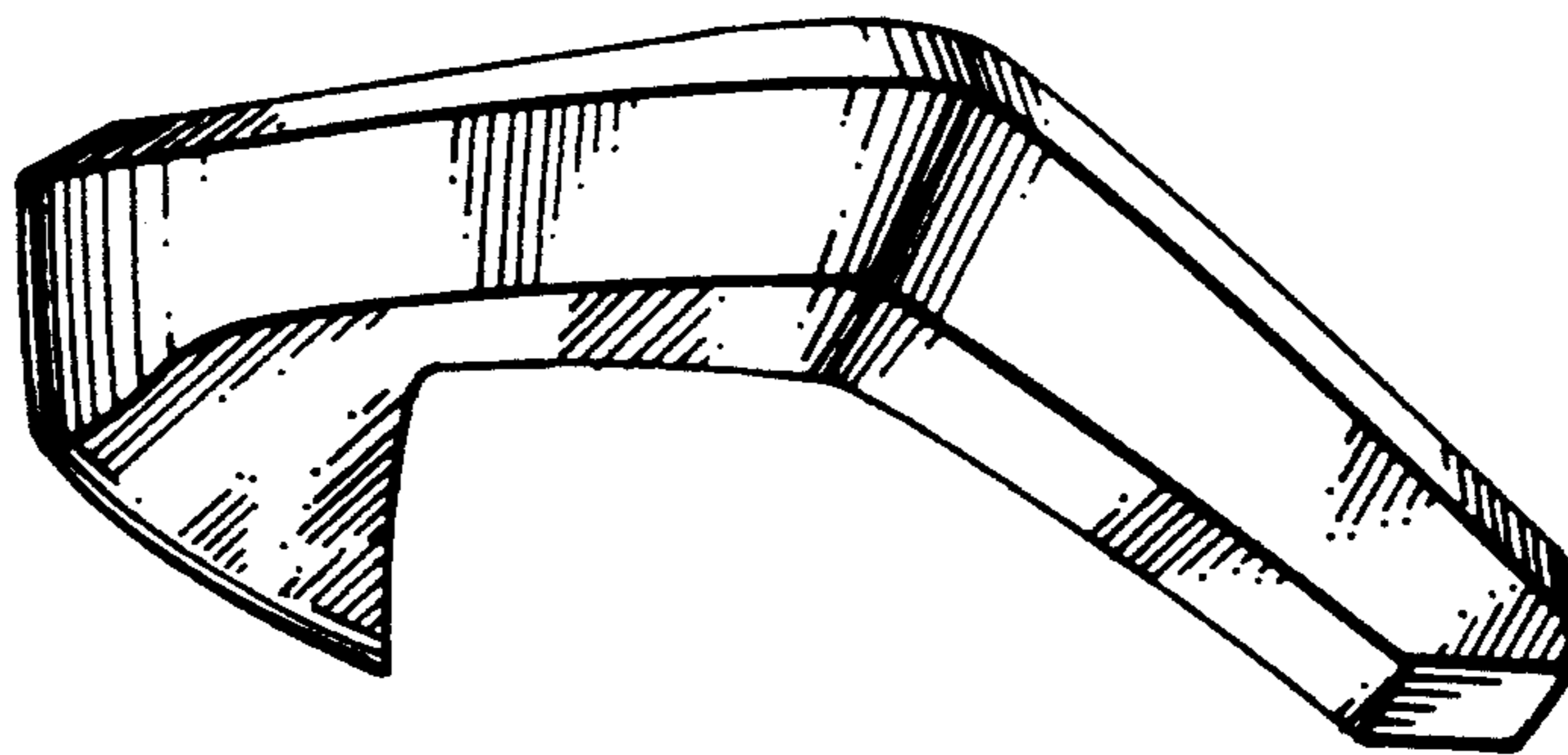


Fig. 4