



US00D344957S

United States Patent [19]

[11] Patent Number: **Des. 344,957**

Chang

[45] Date of Patent: **** Mar. 8, 1994**

[54] **RADIO SET HANDLE**

D. 310,666 9/1990 Yamamoto D14/168 X

[76] Inventor: **Kuo-Chi Chang**, Room 505, No. 142,
Sec. 4, Chung-Hsiao East Rd.,
Taipei, Taiwan

Primary Examiner—Terry A. Wallace
Attorney, Agent, or Firm—Erik M. Arnhem

[**] Term: **14 Years**

[57] **CLAIM**

[21] Appl. No.: **774,264**

The ornamental design for radio set handle, as shown and described.

[22] Filed: **Oct. 10, 1991**

DESCRIPTION

[52] U.S. Cl. **D14/265**

FIG. 1 is a perspective view of radio set handle showing my design;

[58] Field of Search 455/344, 350, 351;
D14/162, 163, 165, 168-172, 196, 217, 265

FIG. 2 is a front view thereof;

FIG. 3 is a right side view thereof;

FIG. 4 is a rear view thereof;

FIG. 5 is a left side view thereof;

FIG. 6 is a top view thereof;

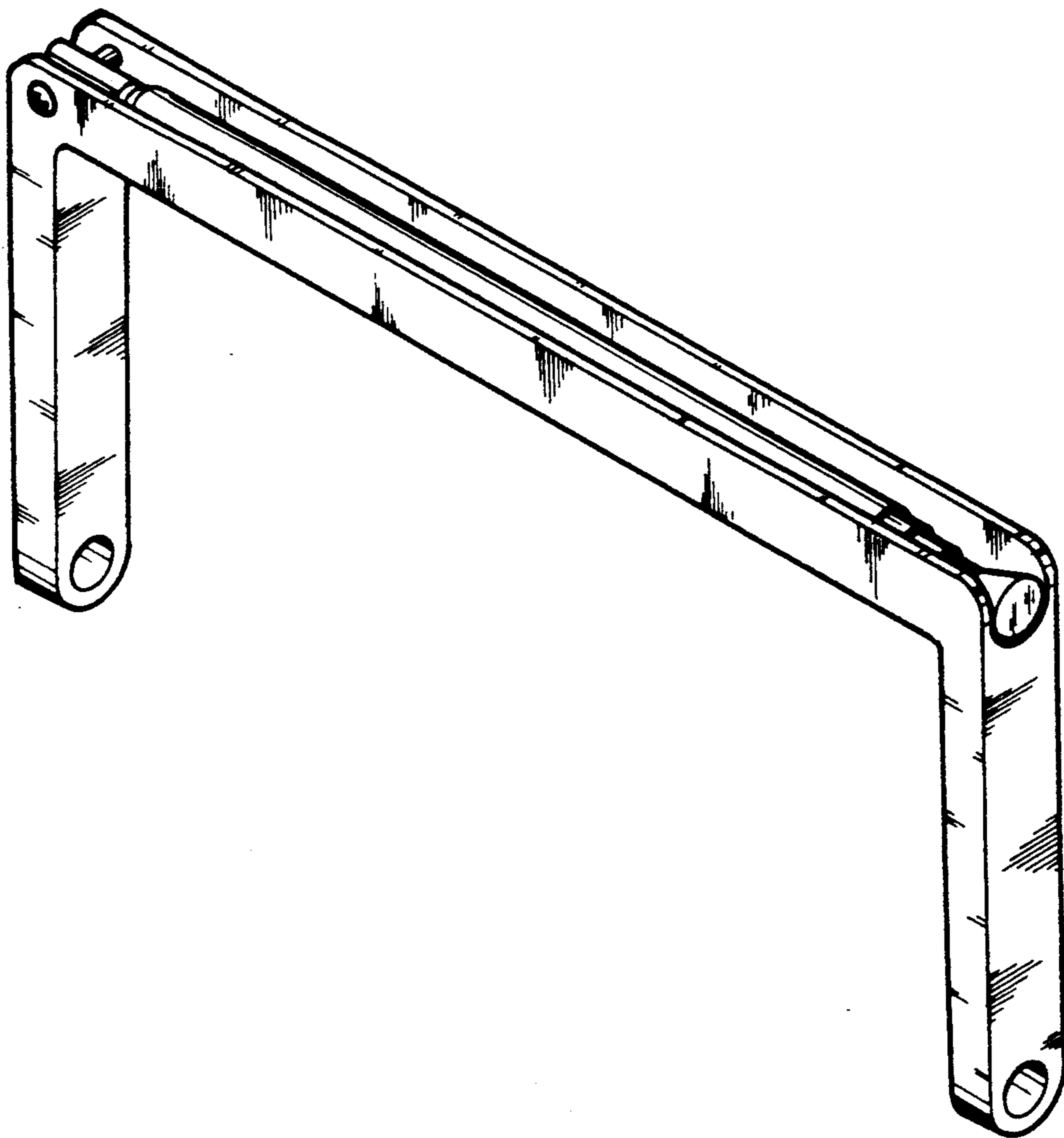
Fig. 7 is a bottom view thereof; and,

FIG. 8 is a perspective view of pulling out the antenna from the present design.

[56] **References Cited**

U.S. PATENT DOCUMENTS

- D. 191,959 12/1961 Frankel D14/196
- D. 234,030 12/1974 Kawamuiza D14/196
- D. 241,678 9/1976 Kaye D14/196
- D. 260,993 9/1981 Kawano et al. D14/196 X



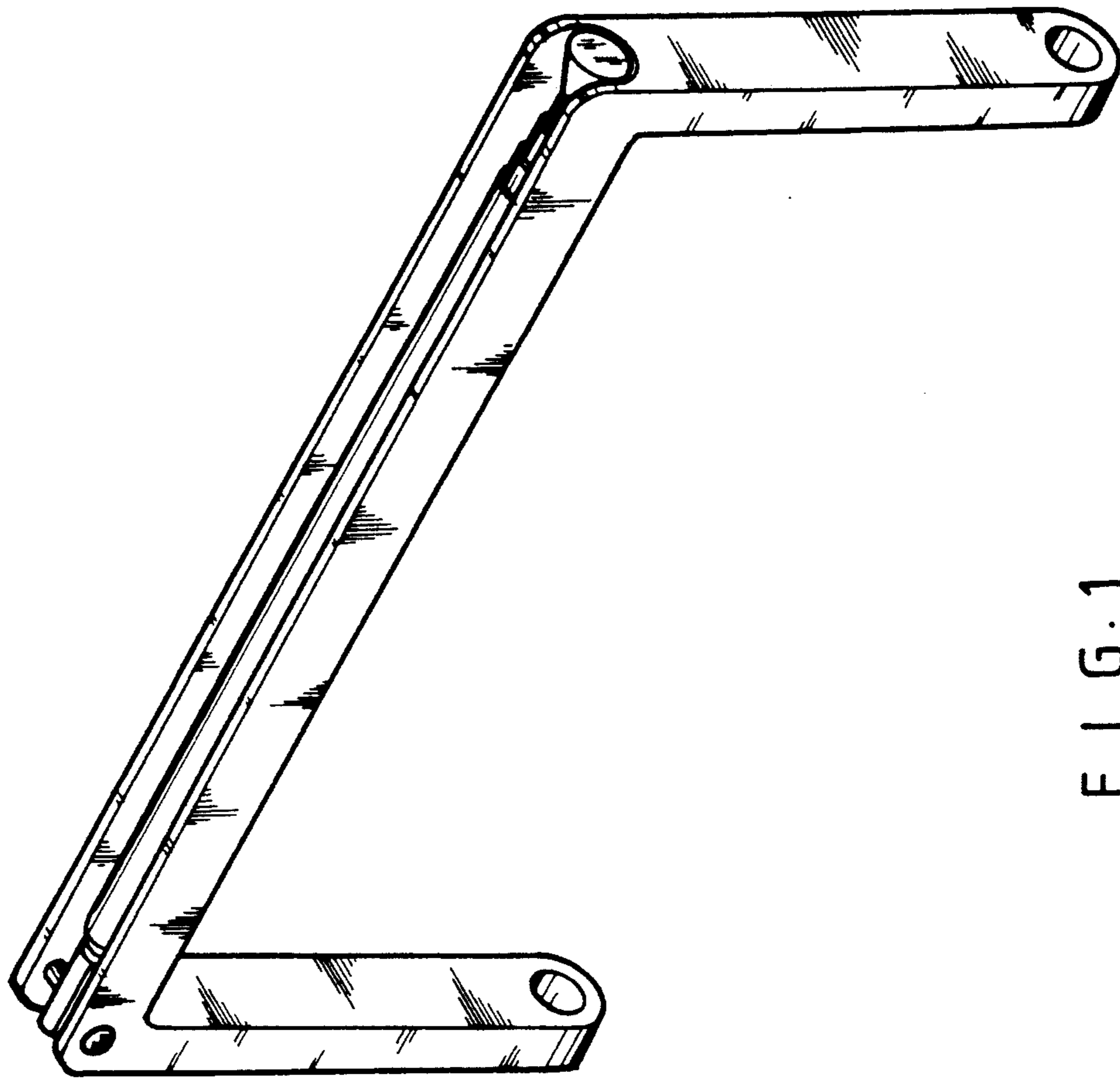


FIG. 1



FIG. 3

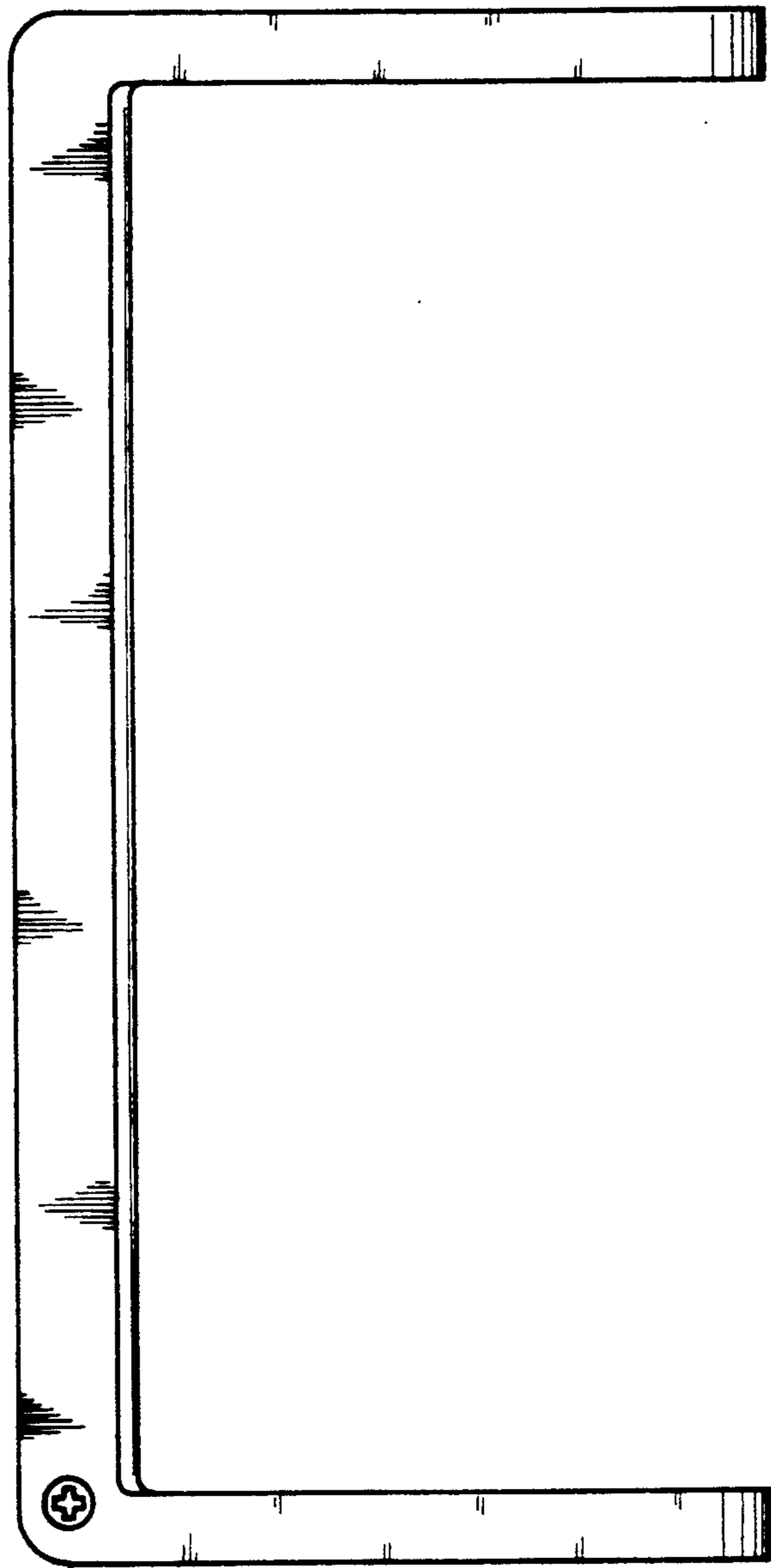


FIG. 2



FIG. 5

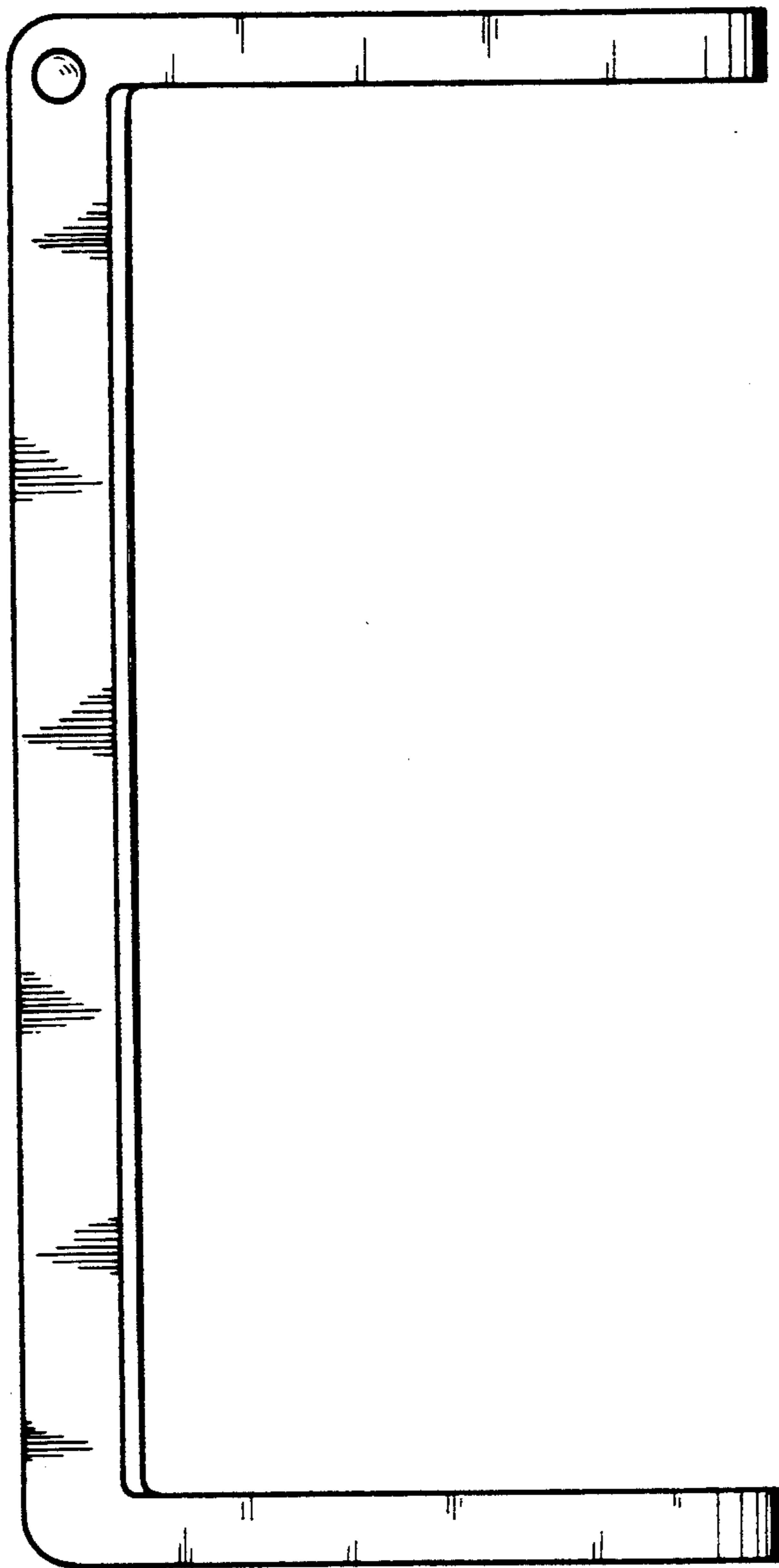


FIG. 4



FIG. 6



FIG. 7

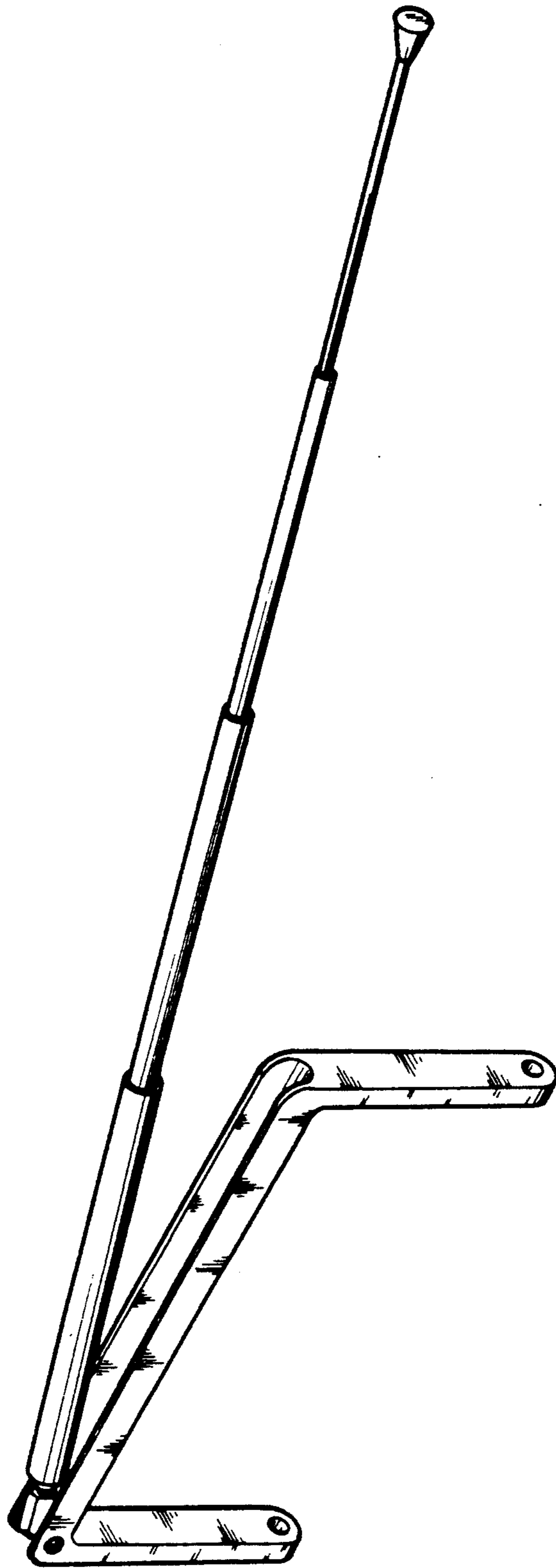


FIG. 8