



US00D344956S

# United States Patent [19]

[11] Patent Number: **Des. 344,956**

**Dziekán et al.**

[45] Date of Patent: **\*\* Mar. 8, 1994**

[54] **CONTROL PANEL FOR A COMBINED VEHICULAR RADIO RECEIVER, CASSETTE PLAYER AND DIGITAL CLOCK**

D. 315,567 3/1991 McCauley et al. .... D14/157 X  
D. 322,789 12/1991 McCauley et al. .... D14/147 X  
D. 334,752 4/1993 Dziekan et al. .... D14/157 X

[75] Inventors: **Lee M. Dziekan**, East Detroit; **Daniel Fekete**, Rochester Hills; **Michael G. Moore**, Rochester; **James P. Muccioli**, Farmington Hills, all of Mich.; **Michael B. Sestina**, Huntsville, Ala.

### OTHER PUBLICATIONS

Stereo Review, Apr. 1988, p. 77, Sherwood Car Stereo.

*Primary Examiner*—Theodore M. Shooman  
*Attorney, Agent, or Firm*—Wendell K. Fredericks

[73] Assignee: **Chrysler Corporation**, Highland Park, Mich.

### [57] CLAIM

The ornamental design for a control panel for a combined vehicular radio receiver, cassette player and digital clock, as shown and described.

[\*\*] Term: **14 Years**

### DESCRIPTION

[21] Appl. No.: **875,115**

FIG. 1 is a front, top and right side perspective view of a control panel for a combined vehicular radio receiver, cassette player and digital clock; FIG. 2 is a left side elevational view thereof; FIG. 3 is a right side elevational view thereof; FIG. 4 is a top plan view thereof; FIG. 5 is a front elevational view thereof; and, FIG. 6 is a bottom plan view thereof.

[22] Filed: **Apr. 28, 1992**

[52] U.S. Cl. .... **D14/258; D14/157**

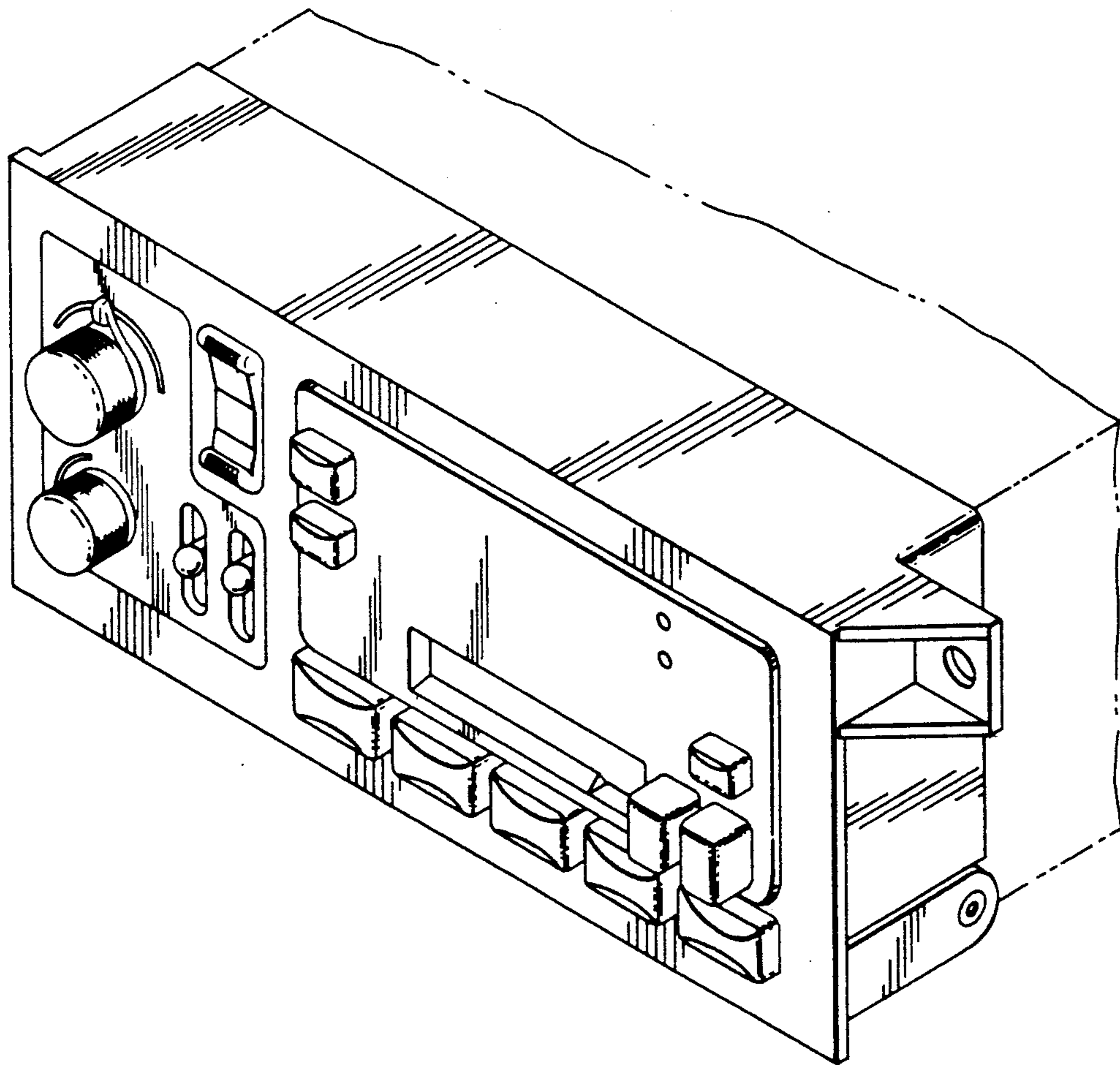
[58] Field of Search ..... **455/345, 346; D14/124, D14/157, 188, 257, 258, 299**

The broken line showing of the housing in the drawing figures is for illustrative purposes only and forms no part of the claimed design.

### [56] References Cited

#### U.S. PATENT DOCUMENTS

D. 261,136 10/1981 Yamada et al. .... D14/157  
D. 292,795 11/1987 Newman .... D14/157



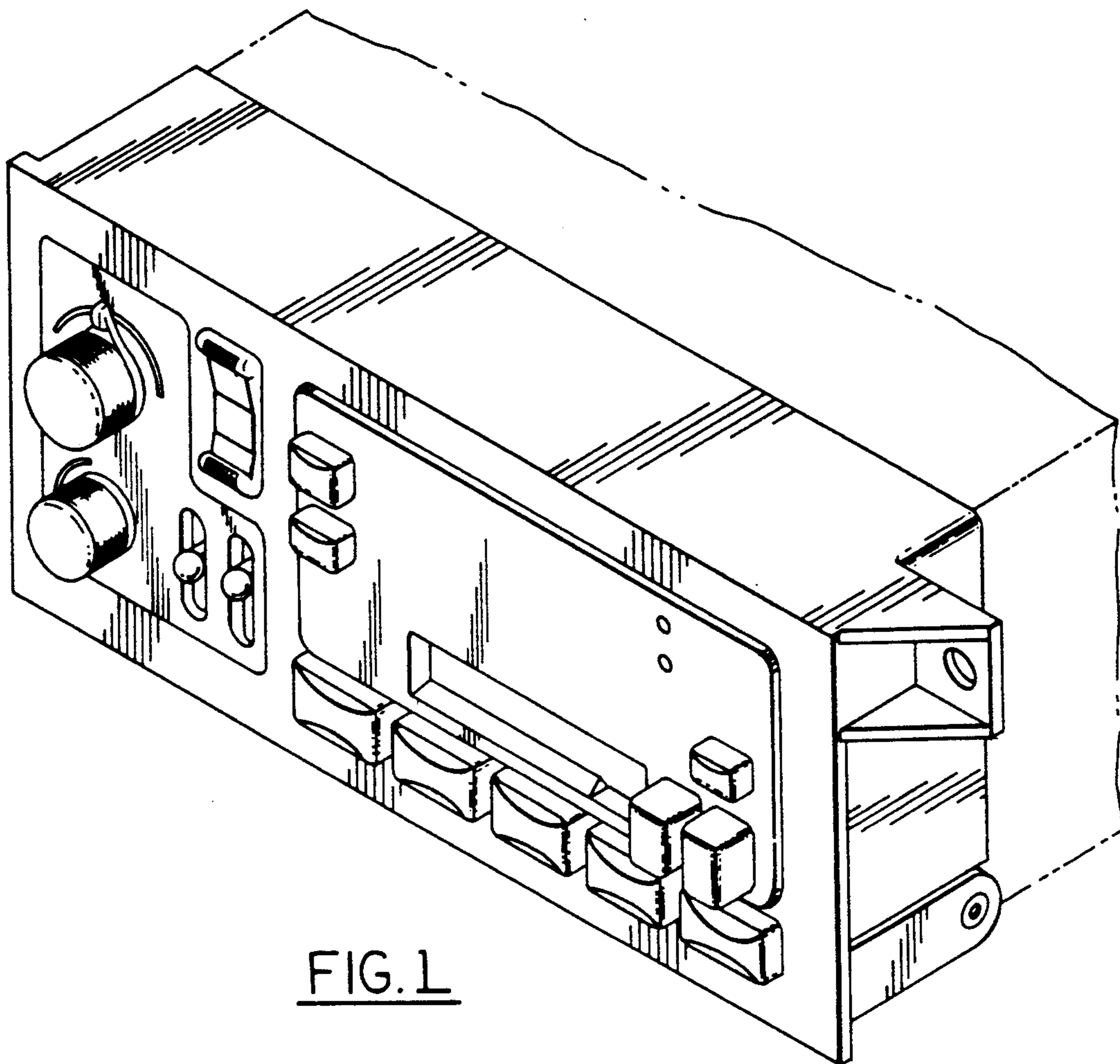


FIG. 1

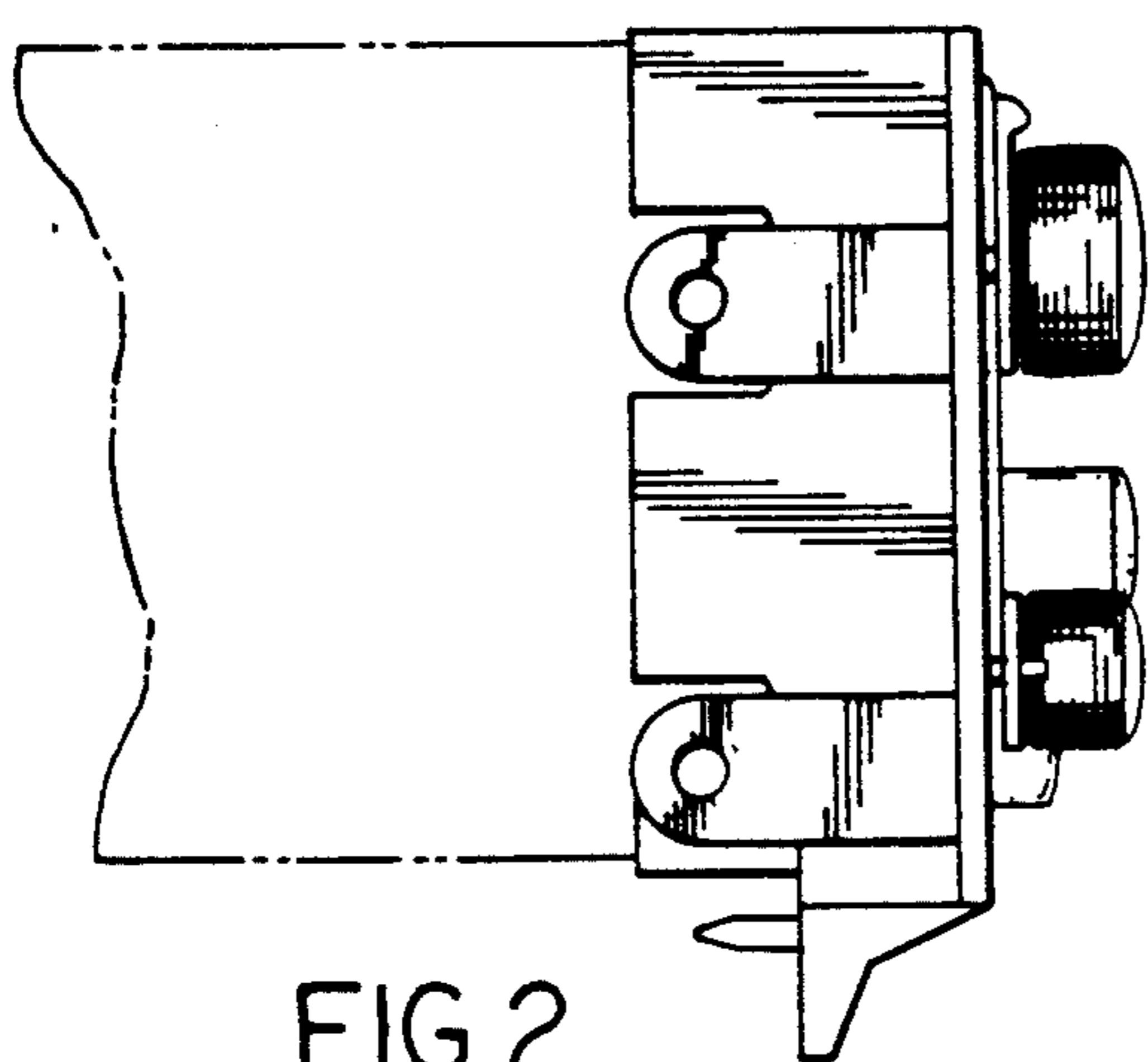


FIG. 2

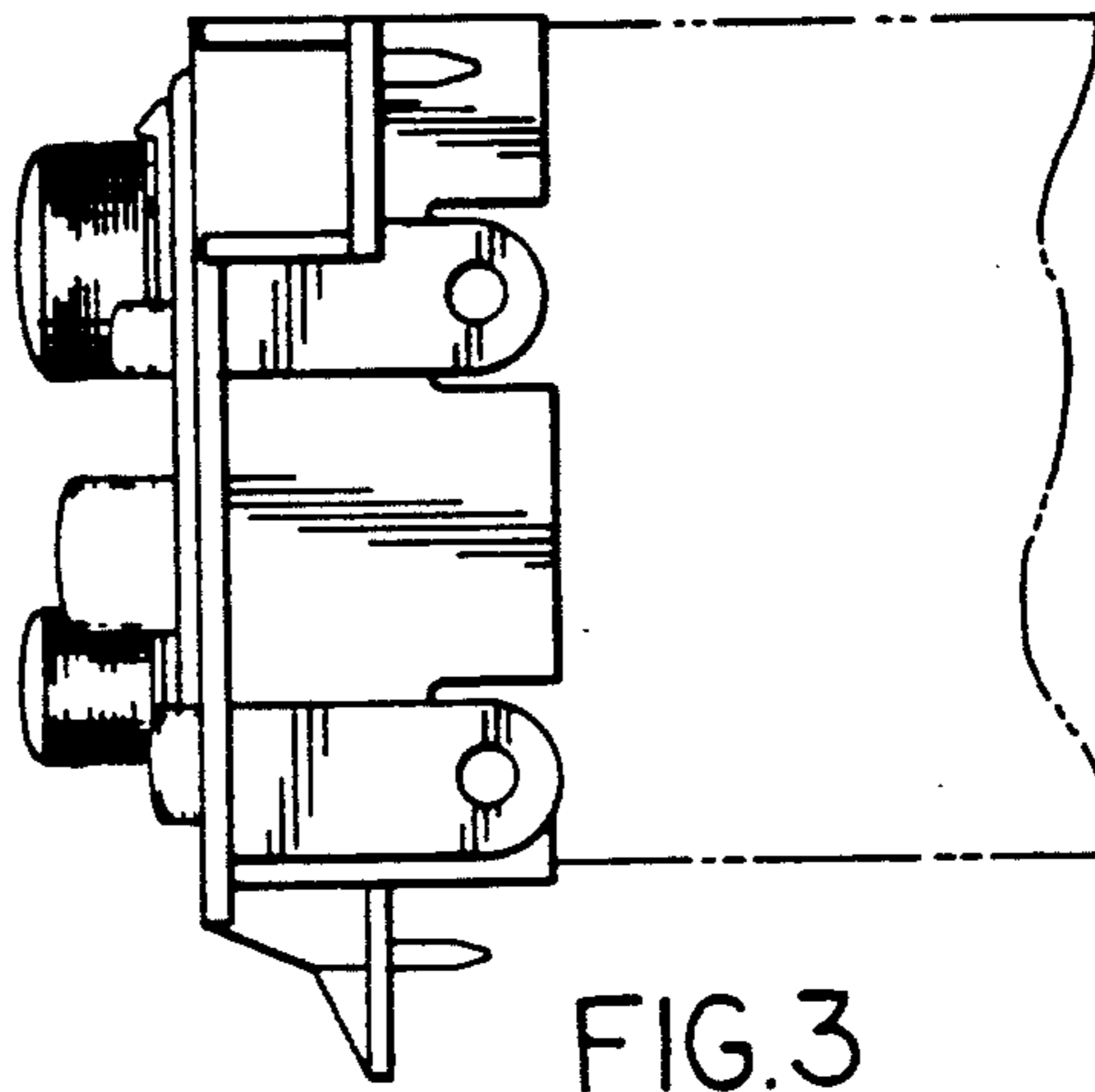


FIG. 3

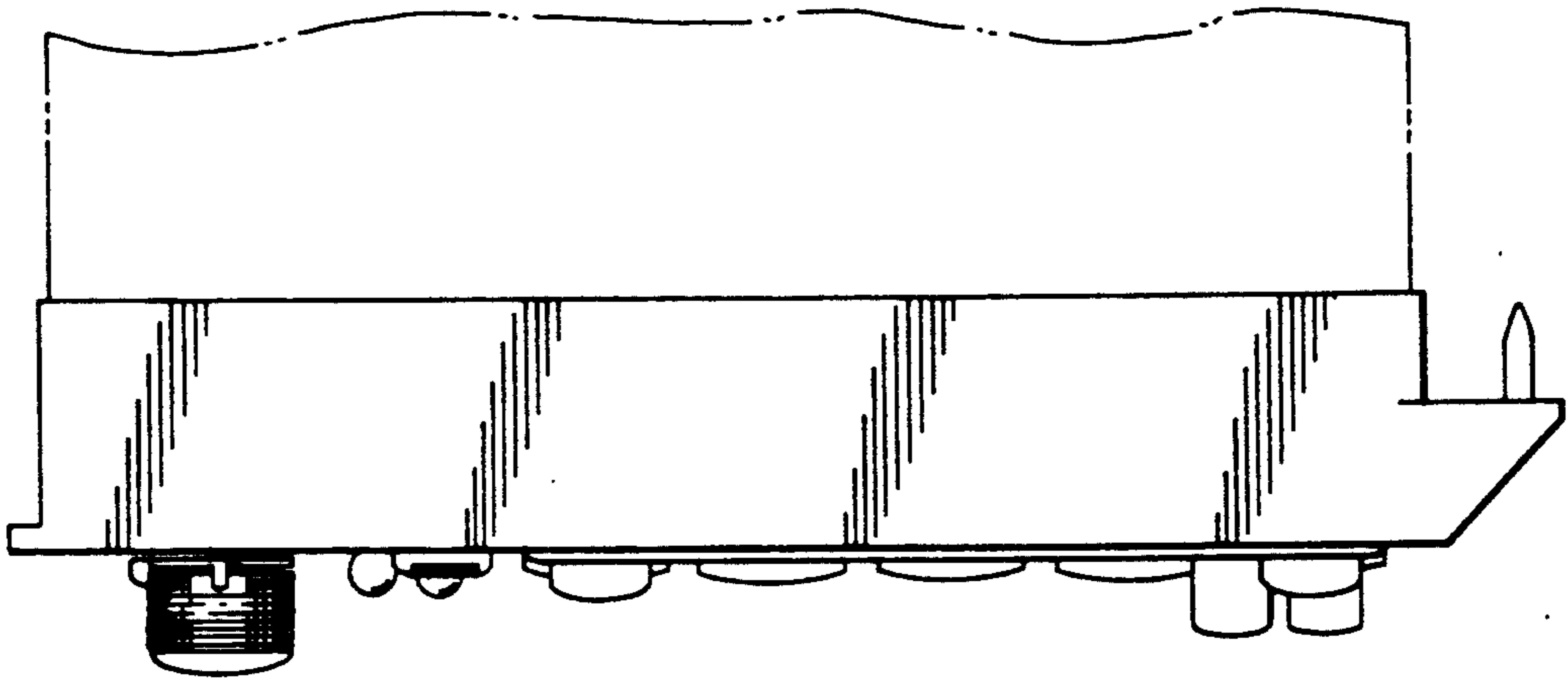


FIG. 4

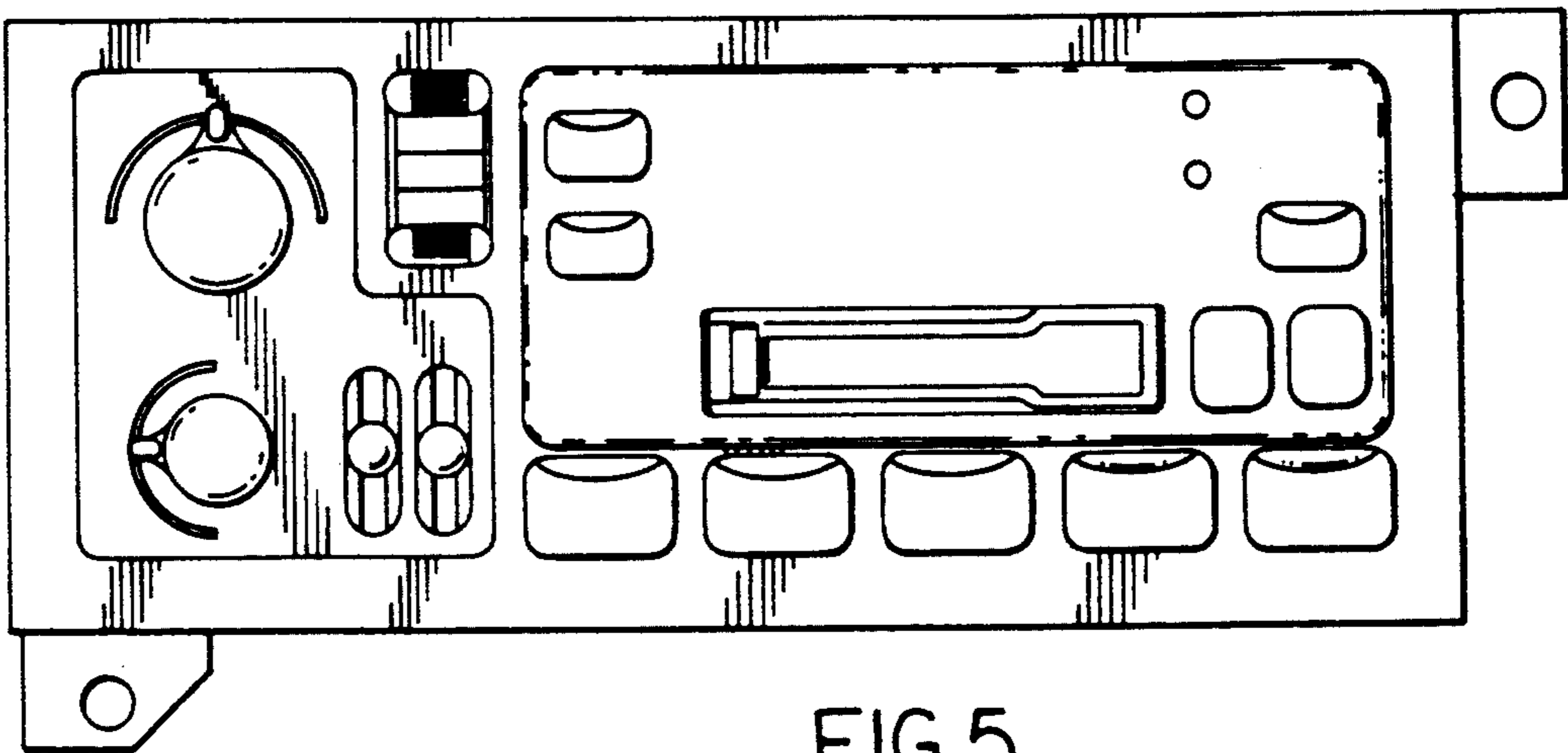


FIG. 5

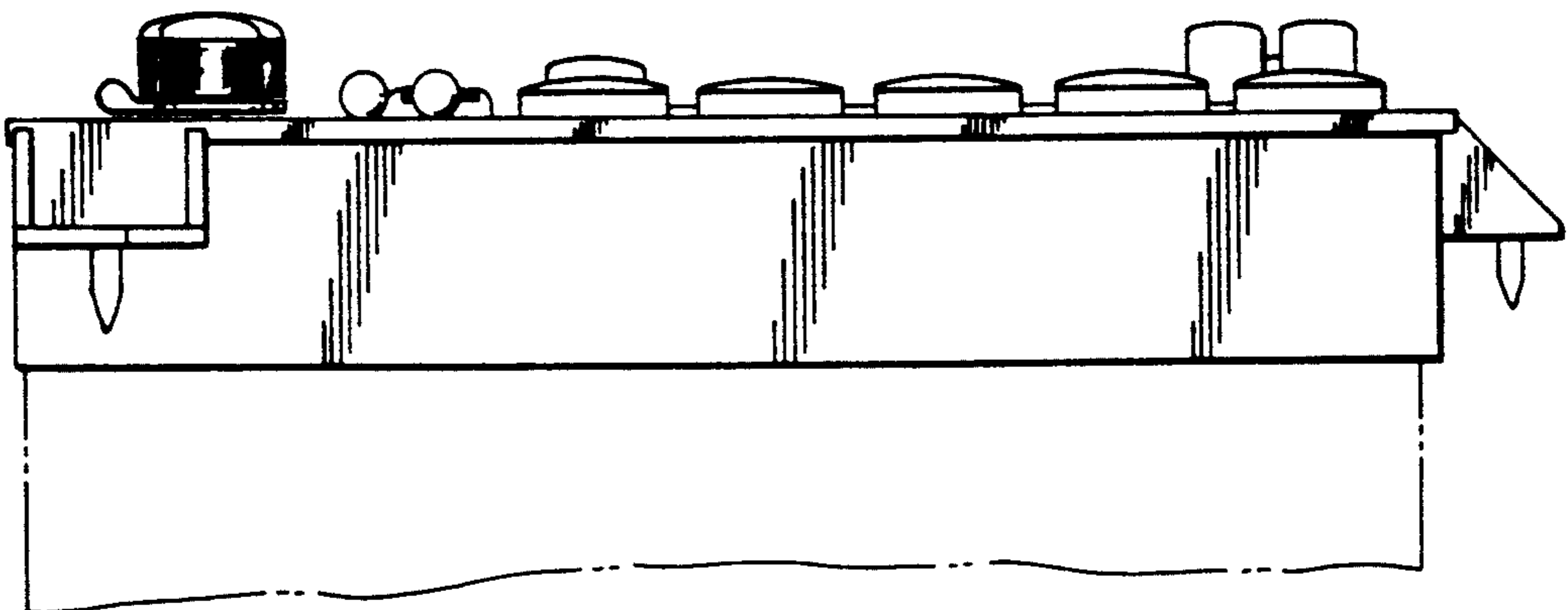


FIG. 6

UNITED STATES PATENT AND TRADEMARK OFFICE  
**CERTIFICATE OF CORRECTION**

**PATENT NO.** : Des. 344,956  
**DATED** : March 8, 1994  
**INVENTOR(S)** : Dziekan et. al.

**It is certified that error appears in the above-identified patent and that said Letters Patent is hereby corrected as shown below:**

On the title page, item

At [73], please delete "Chrystler" and insert -- Chrysler --.

**Signed and Sealed this**

**Twenty-first Day of February, 1995**

*Attest:*



**BRUCE LEHMAN**

*Attesting Officer*

*Commissioner of Patents and Trademarks*