



US00D344939S

United States Patent [19]

[11] Patent Number: **Des. 344,939**

Kashiwabara et al.

[45] Date of Patent: **** Mar. 8, 1994**

[54] FACSIMILE TRANSCEIVER

[75] Inventors: **Masahiko Kashiwabara**, Yokohama;
Kimiko Kageyama, Koganei, both of
Japan

[73] Assignee: **Kabushiki Kaisha Toshiba**, Kawasaki,
Japan

[**] Term: **14 Years**

[21] Appl. No.: **938,659**

[22] Filed: **Sep. 3, 1992**

[30] Foreign Application Priority Data

Mar. 30, 1992 [JP] Japan 4-8757

[52] U.S. Cl. **D14/118**

[58] Field of Search 358/400-404;
D14/116, 118, 124, 299

[56] References Cited

U.S. PATENT DOCUMENTS

D. 301,581	6/1989	Watanabe	D14/118
D. 313,986	1/1991	Matsumoto	D14/118
D. 315,151	3/1991	Tamano et al.	D14/118
D. 334,923	4/1993	Dodge et al.	D14/118
D. 338,666	8/1993	Miyazawa	D14/118

OTHER PUBLICATIONS

German Official Gazette No. M9100496, Oct. 25, 1992.
Korean Official Gazette No. 110854, Dec. 18, 1990.
U.S. Official Gazette No. 314,955, Feb. 26, 1991.
U.S. Official Gazette No. 314,377, Feb. 5, 1991.
Catalog of NEC, NEFAX 470, May 15, 1991.

Primary Examiner—Theodore M. Shooman
Attorney, Agent, or Firm—Oblon, Spivak, McClelland,
Maier & Neustadt

[57] CLAIM

The ornamental design for a facsimile transceiver, as shown and described.

DESCRIPTION

FIG. 1 is a front, top and left side perspective view of a facsimile transceiver with a handset removed showing our new design;

FIG. 2 is a front elevational view thereof;

FIG. 3 is a right side elevational view thereof;

FIG. 4 is a left side elevational view thereof;

FIG. 5 is a top plan view thereof;

FIG. 6 is a rear elevational view thereof; and,

FIG. 7 is a bottom plan view thereof.

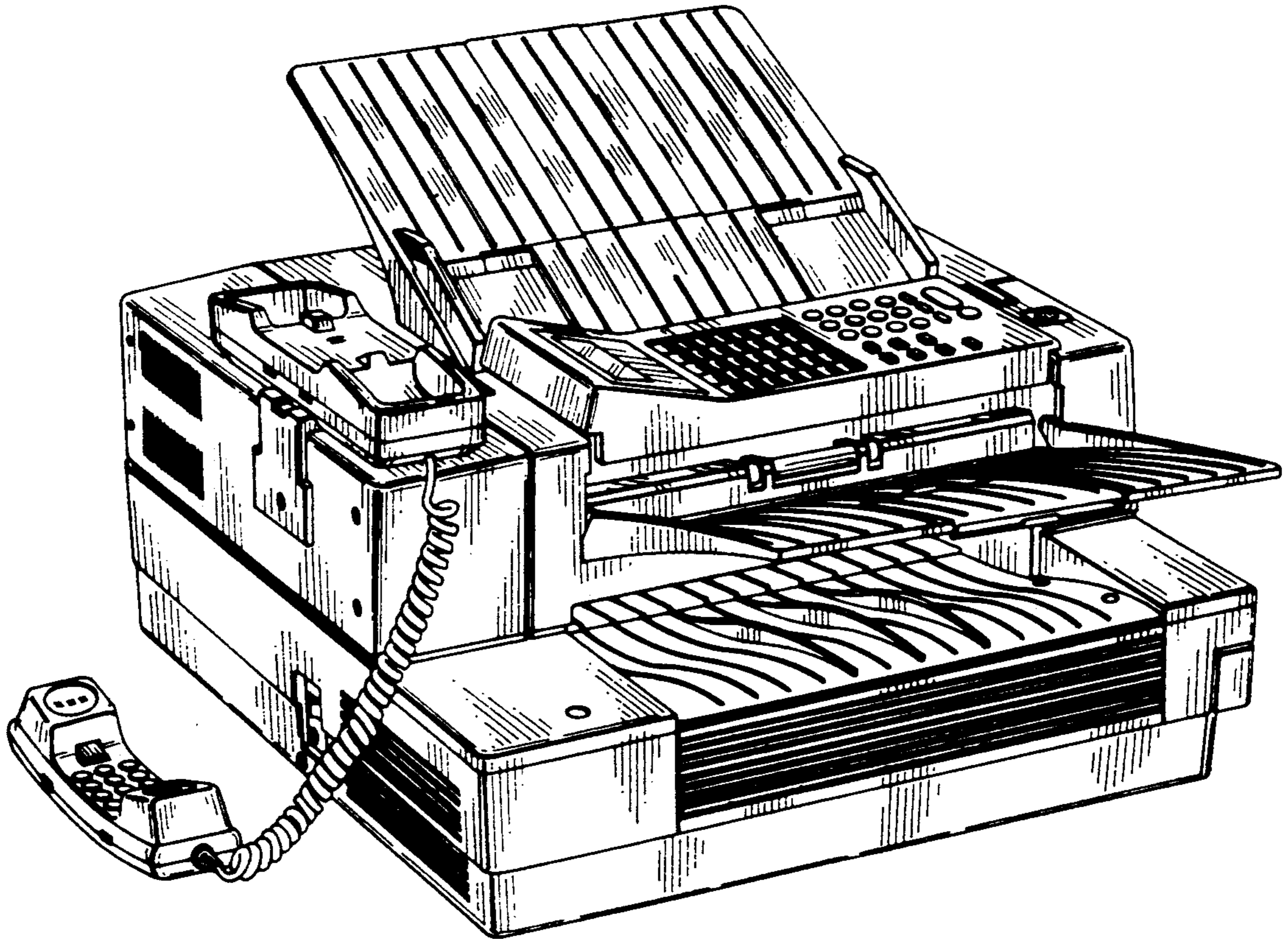


FIG. 1

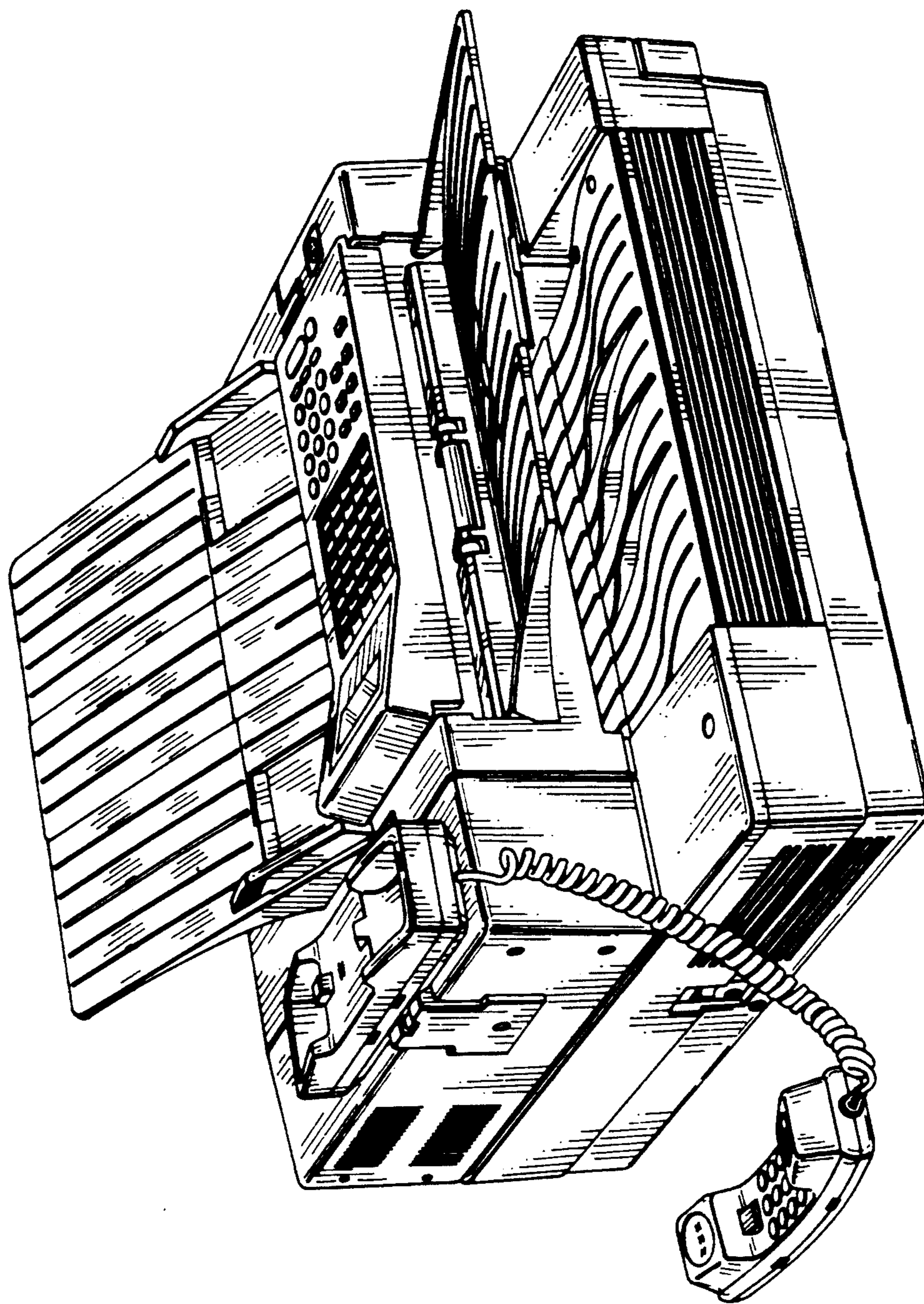


FIG. 2

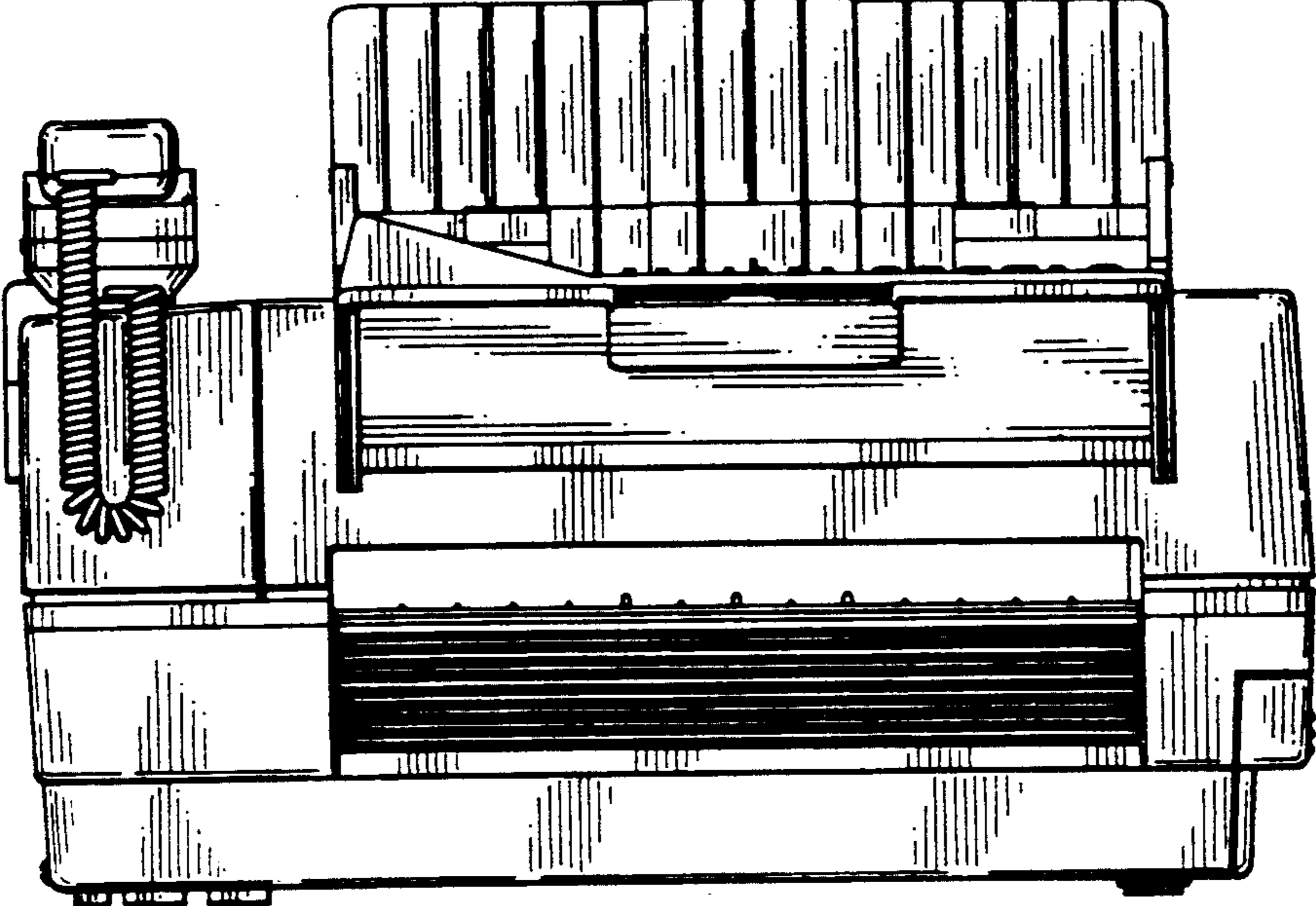


FIG. 3

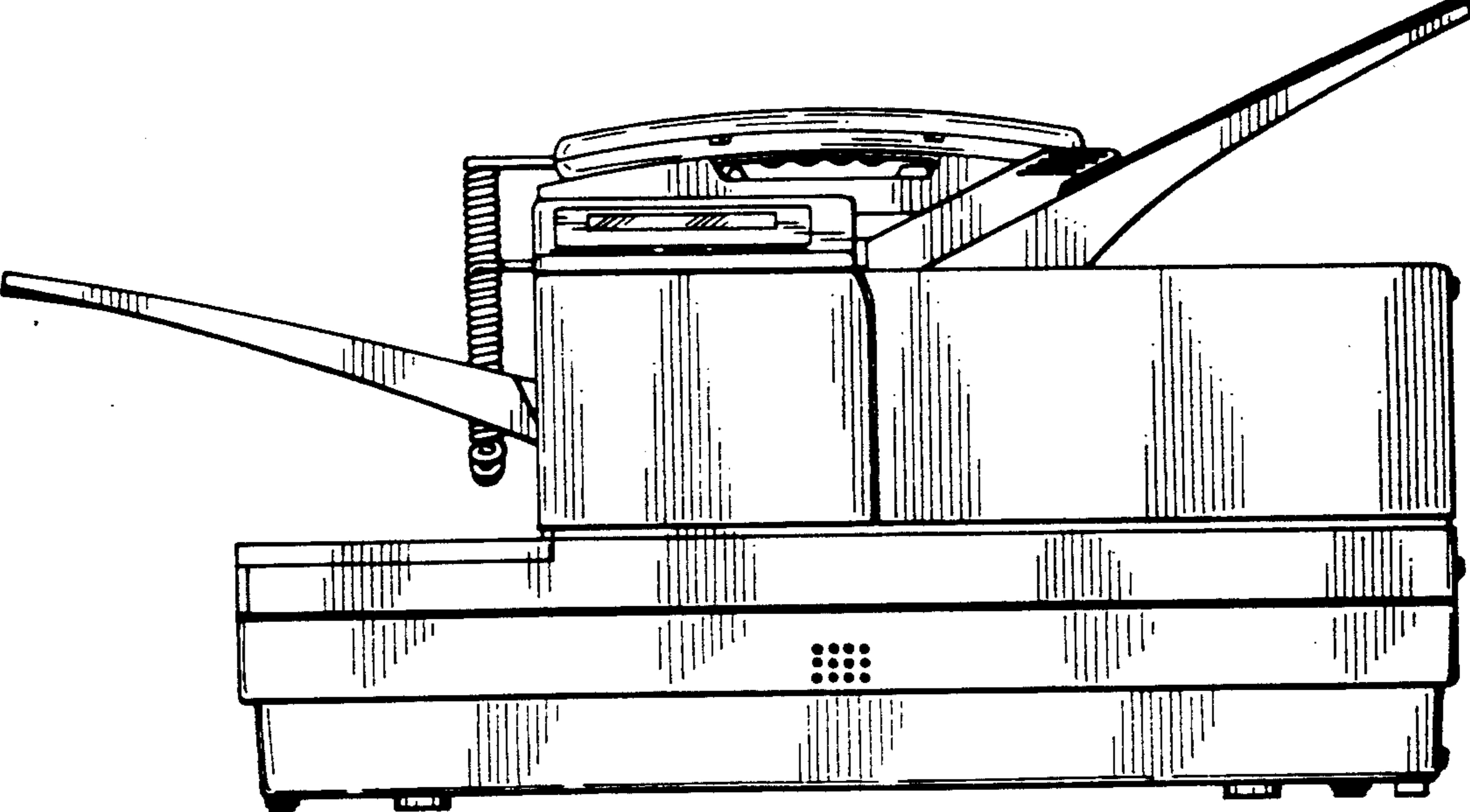


FIG. 4

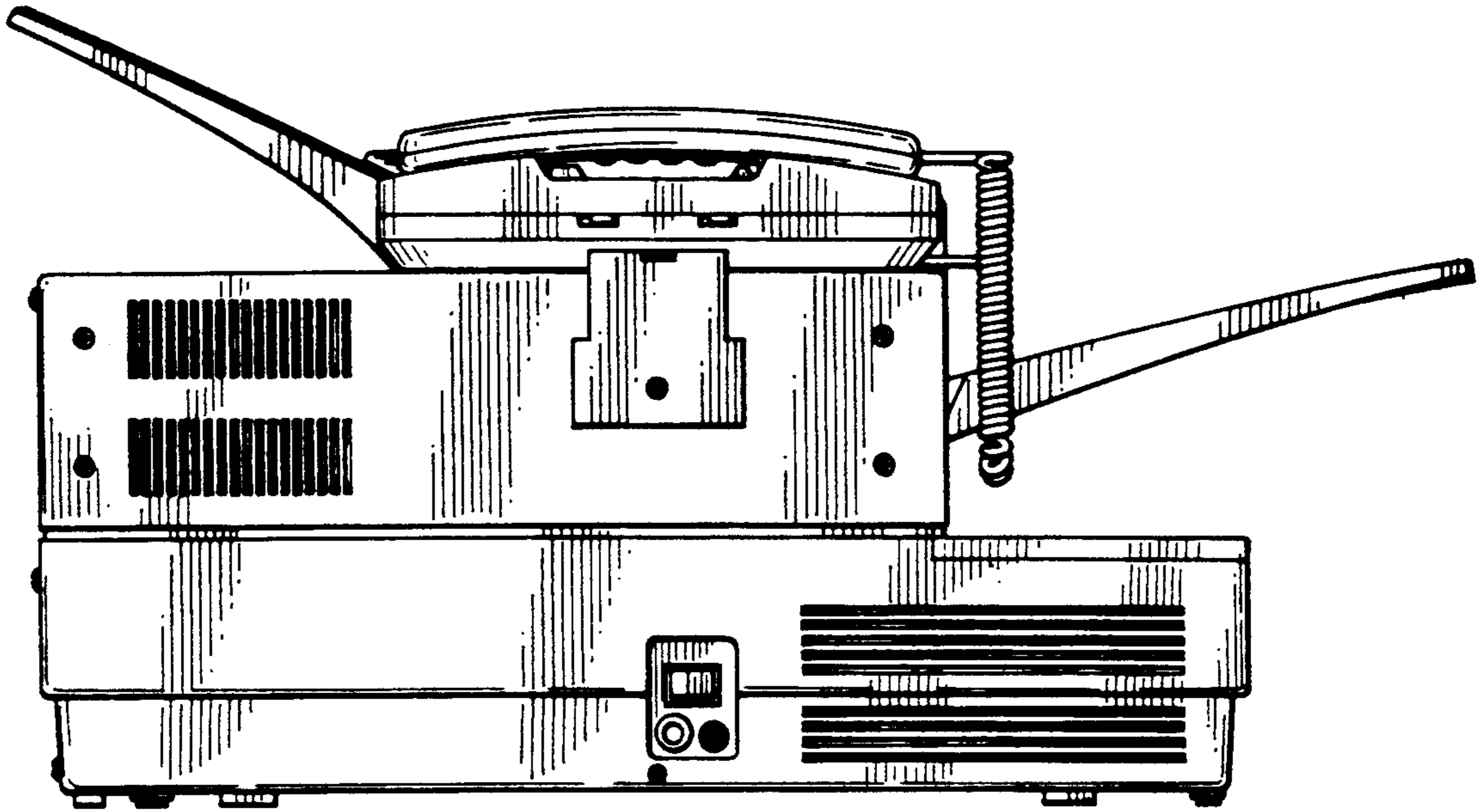


FIG. 6

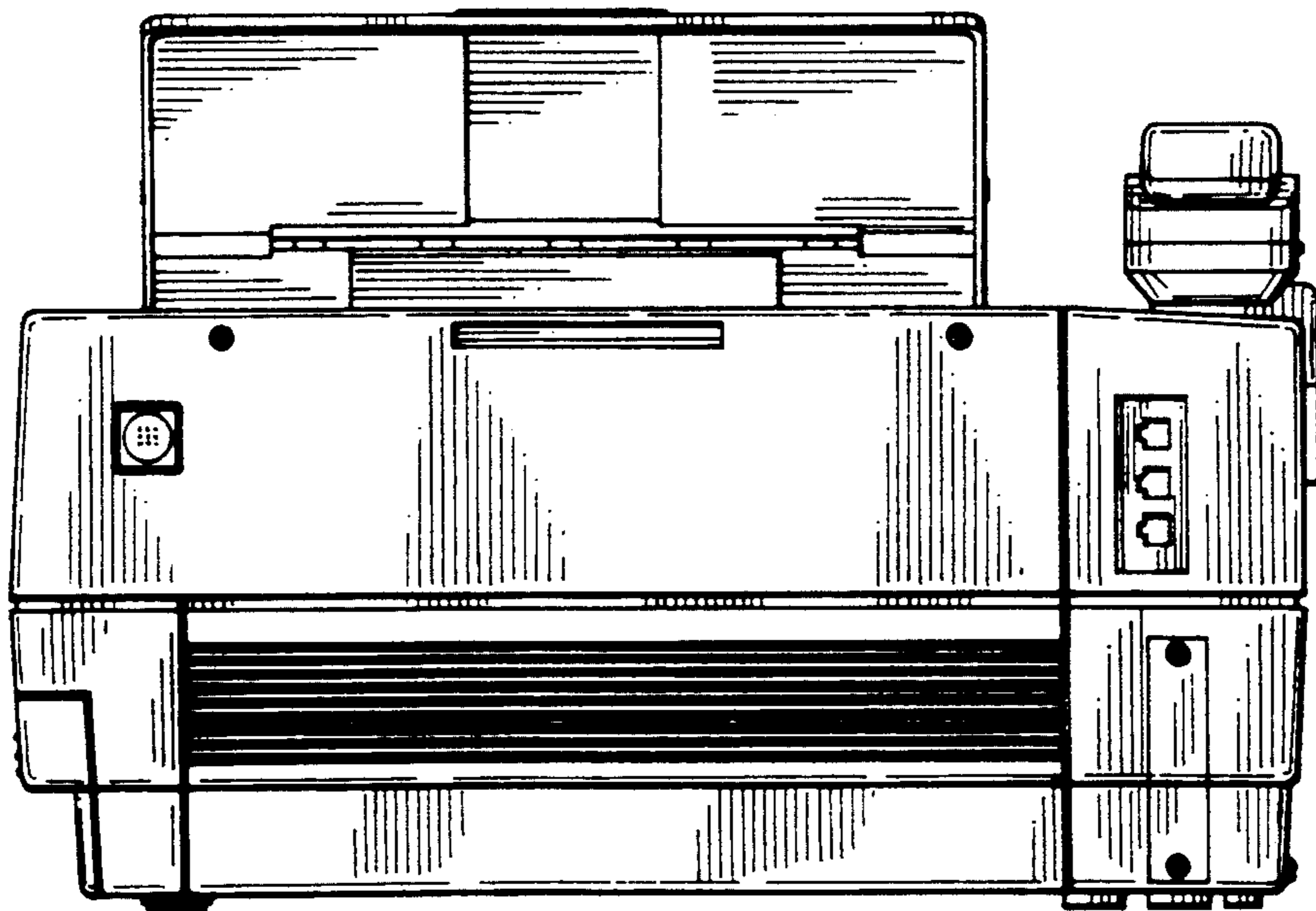


FIG. 5

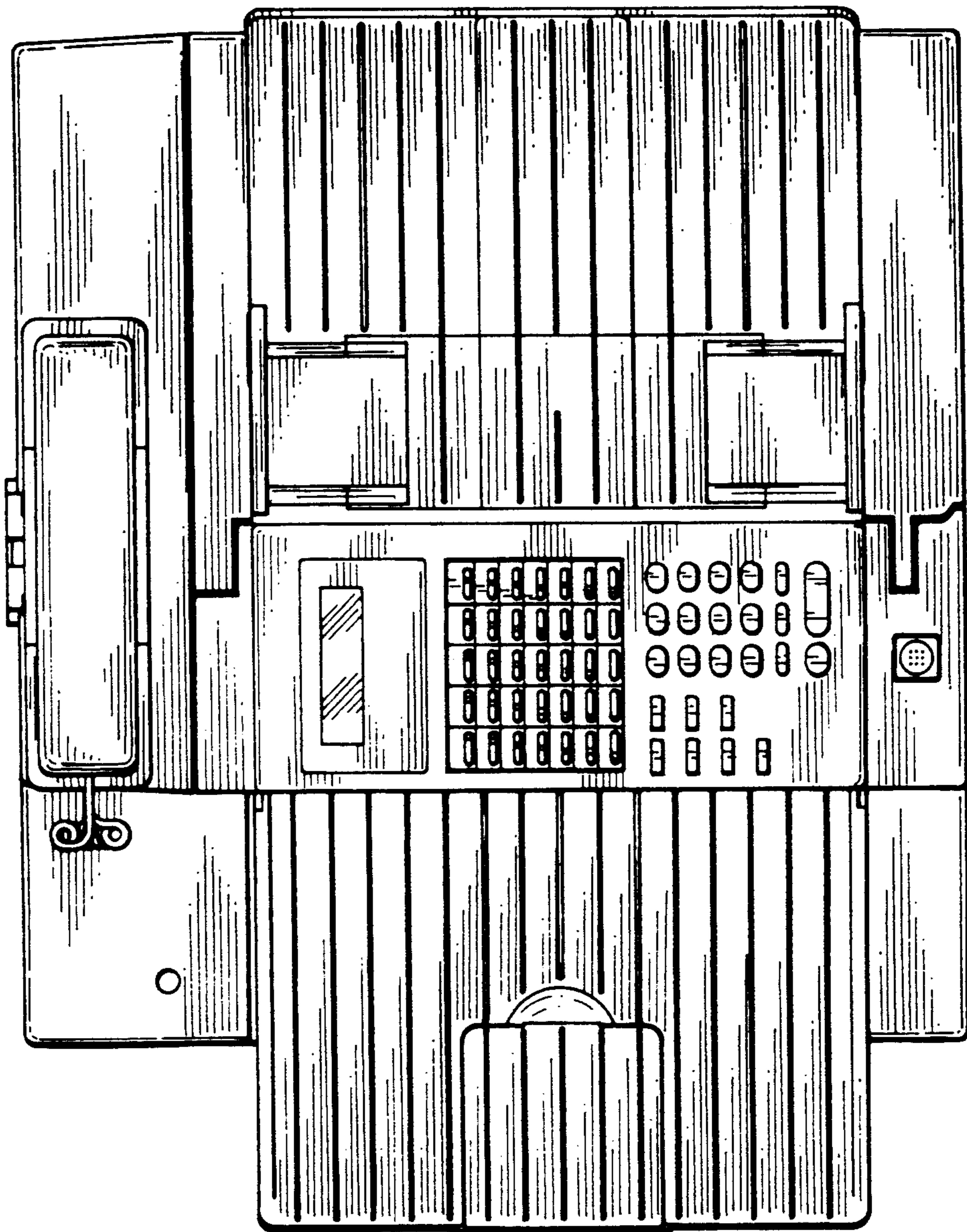


FIG. 7

