



US00D344937S

# United States Patent [19]

Takahashi

[11] Patent Number: **Des. 344,937**

[45] Date of Patent: **\*\* Mar. 8, 1994**

[54] **LAMP UNIT FOR FACSIMILE**

[75] Inventor: **Shin Takahashi, Osaka, Japan**

[73] Assignee: **Sharp Kabushiki Kaisha, Osaka, Japan**

[\*\*] Term: **14 Years**

[21] Appl. No.: **827,804**

[22] Filed: **Jan. 28, 1992**

[30] **Foreign Application Priority Data**

Jul. 29, 1991 [JP] Japan ..... 3-22736

[52] U.S. Cl. .... **D14/118; D18/40**

[58] Field of Search ..... 358/400, 401; D14/118, D14/124, 299; D18/36, 37, 40, 56

[56] **References Cited**

**U.S. PATENT DOCUMENTS**

- D. 286,296 10/1986 Hara et al. .... D18/40
- D. 296,335 6/1988 Hara ..... D18/36
- D. 309,322 7/1990 Hirata ..... D18/40
- D. 310,238 8/1990 Hirata ..... D18/40 X

- D. 331,753 12/1992 Itou et al. .... D14/118
- D. 331,756 12/1992 Sawada et al. .... D14/118

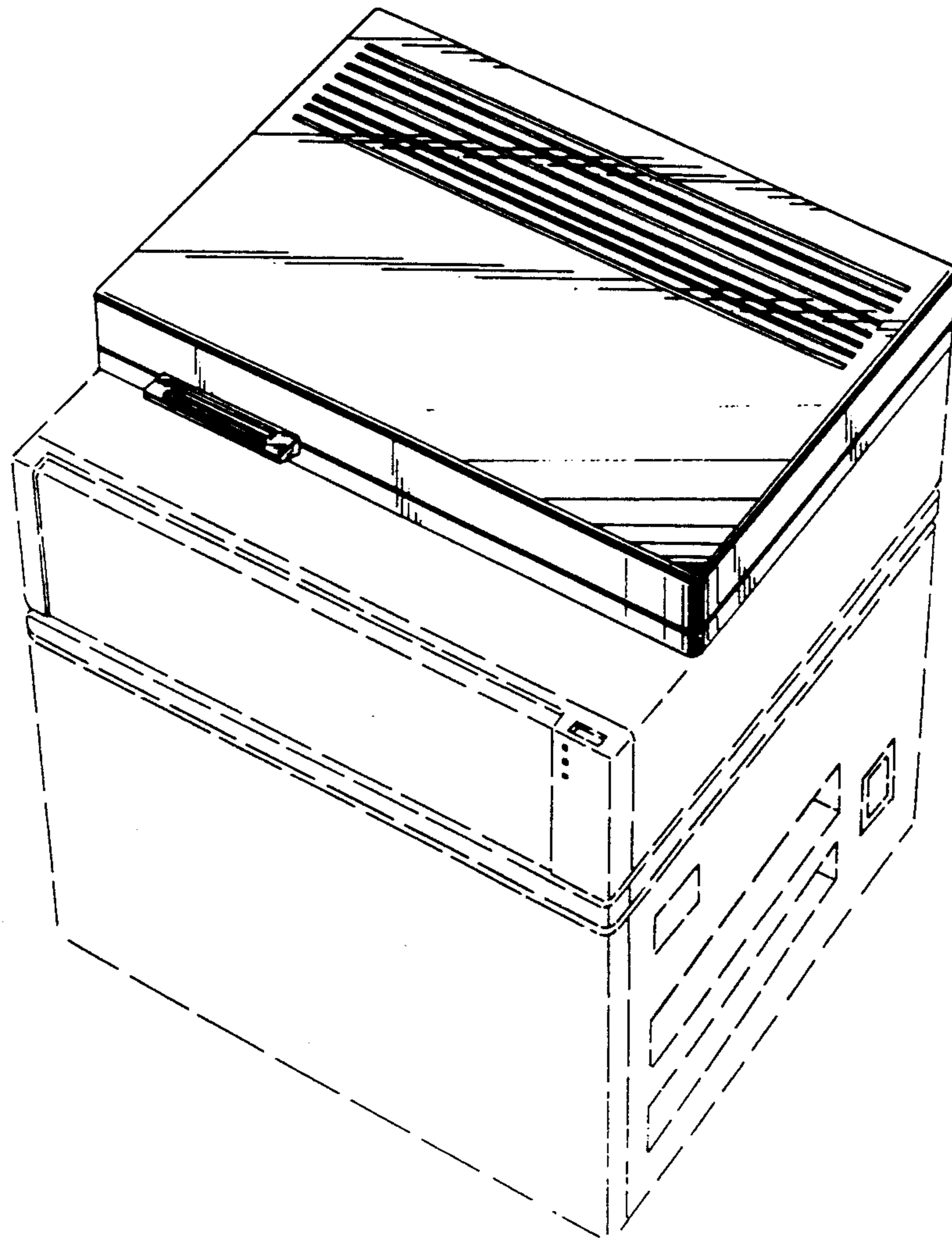
*Primary Examiner*—Theodore M. Shooman  
*Attorney, Agent, or Firm*—Nixon & Vanderhye

[57] **CLAIM**

The ornamental design for a lamp unit for facsimile, as shown and described.

**DESCRIPTION**

FIG. 1 is a top, front and right side perspective view of a lamp unit for facsimile according to the present design, shown atop and connected to an underlying facsimile illustrated by the broken lines, the broken lines showing the environmental structure of the associated facsimile and forming no part of the present design; FIG. 2 is a front elevational view of the lamp unit hereof; FIG. 3 is a plan view of the facsimile hereof; FIG. 4 is a right side elevational view thereof; FIG. 5 is a left side elevational view thereof; FIG. 6 is a rear elevational view thereof; and, FIG. 7 is a bottom plan view thereof.



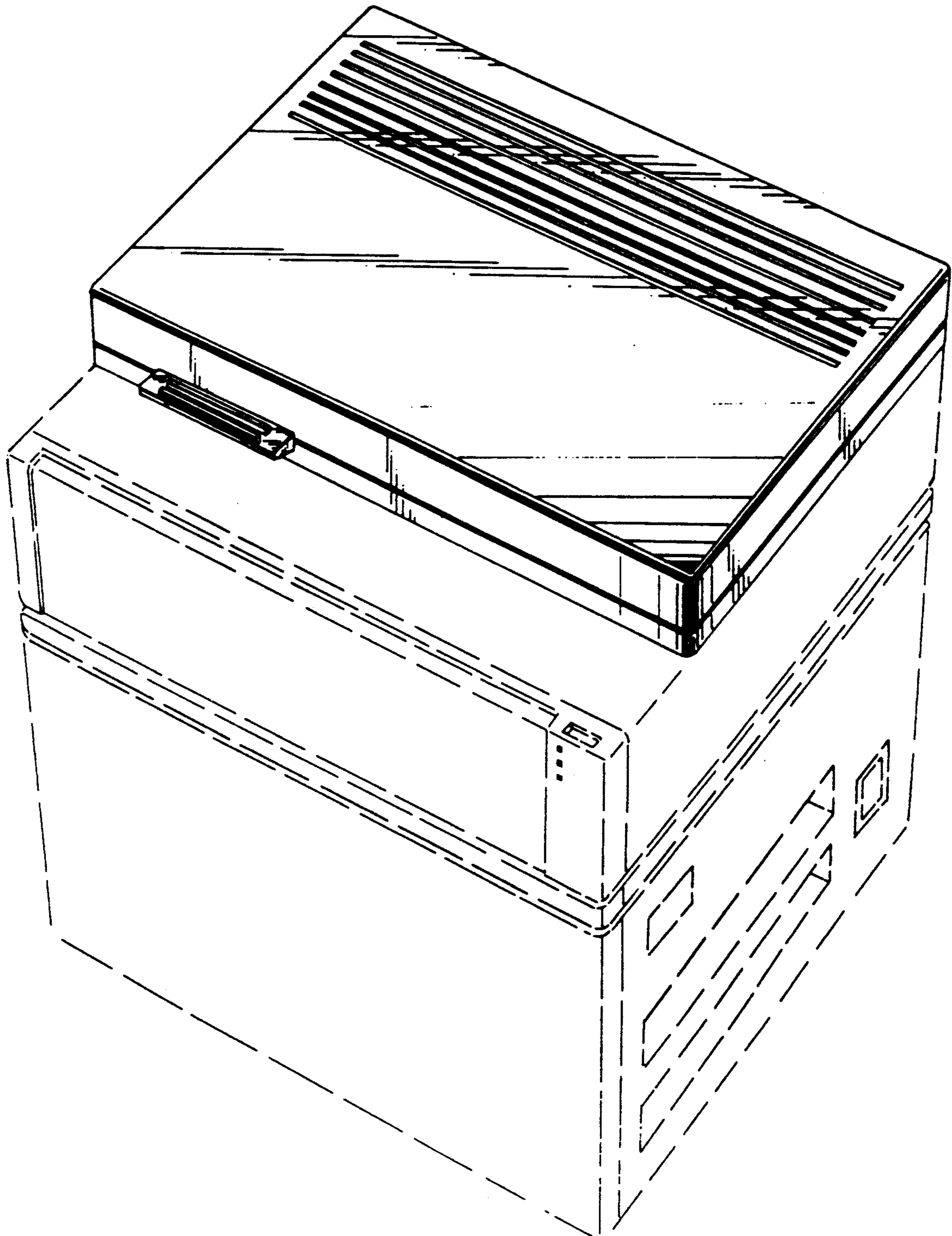


FIG. 2

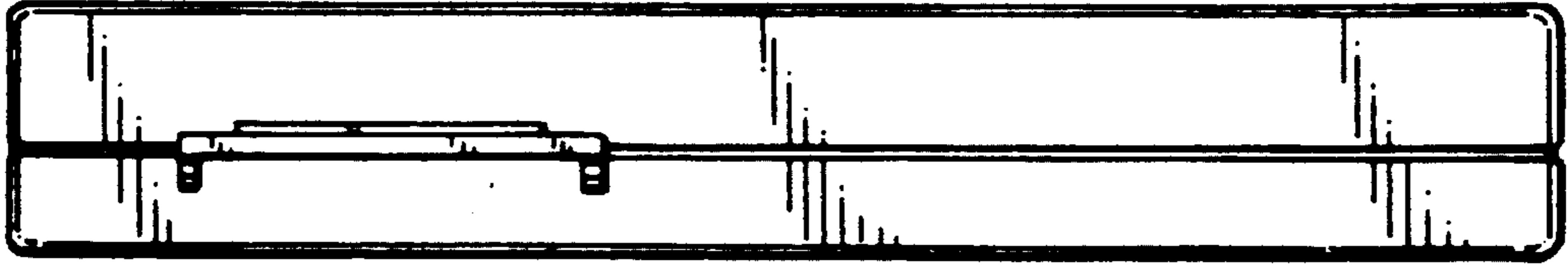


FIG. 3

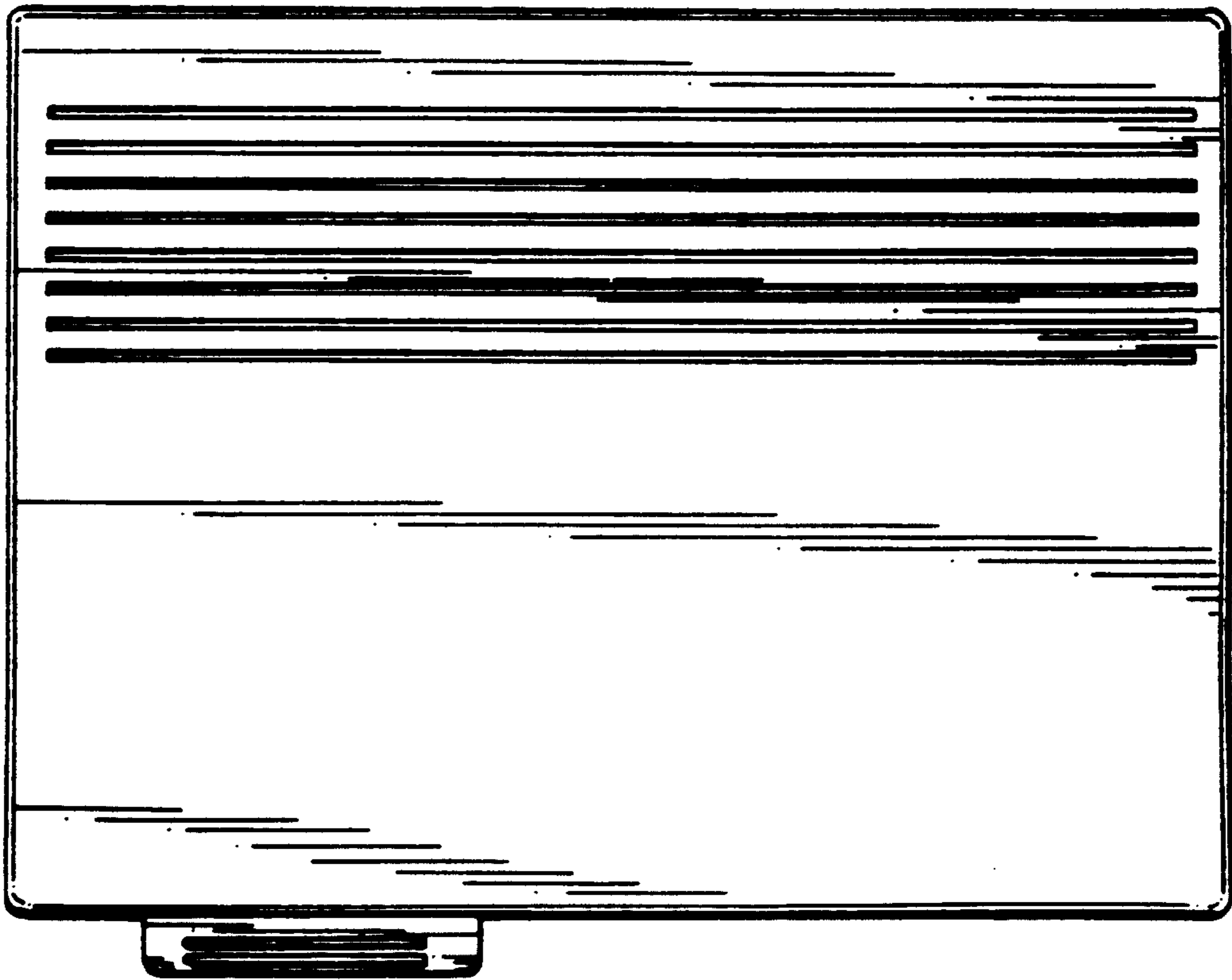


FIG. 4

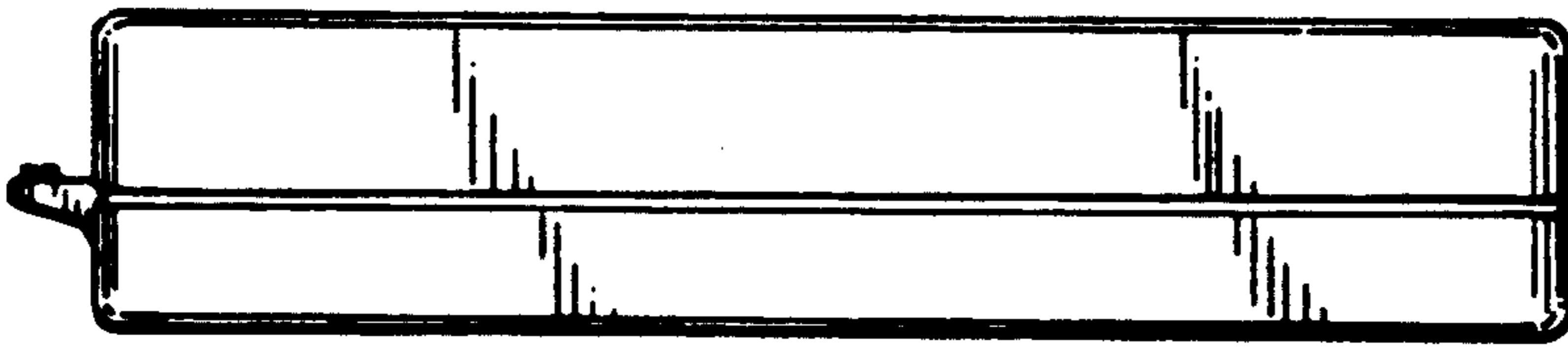


FIG. 5



FIG. 6

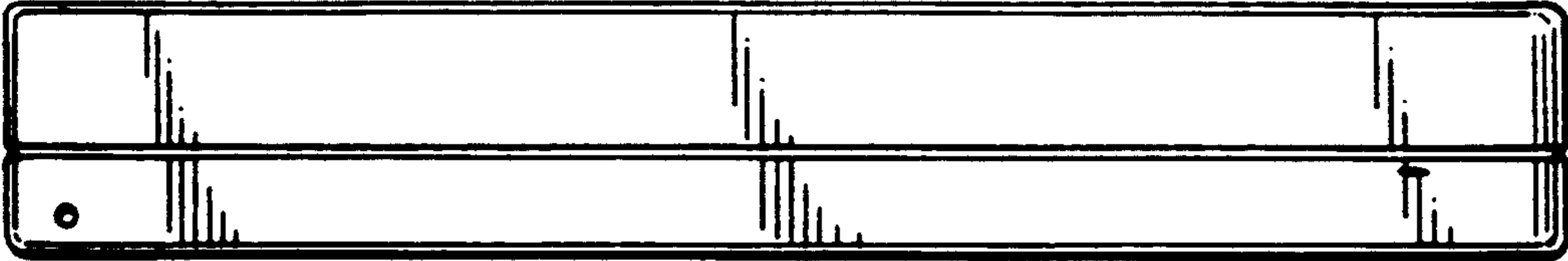


FIG. 7

