



US00D344936S

United States Patent [19]

[11] Patent Number: **Des. 344,936**

Gilpin et al.

[45] Date of Patent: **** Mar. 8, 1994**

[54] **BAR CODE WAND**

[75] Inventors: **David W. Gilpin, Everett; David R. Trine, Seattle, both of Wash.**

[73] Assignee: **Intermec Corporation, Everett, Wash.**

[**] Term: **14 Years**

[21] Appl. No.: **846,447**

[22] Filed: **Mar. 6, 1992**

[52] U.S. Cl. **D14/114**

[58] Field of Search 235/375, 378, 385, 454, 235/462, 472, 486; 354/80-82; 382/58-69; 250/203.1, 216, 566, 568; D14/100, 114; D26/37, 45, 50; D19/41-51

[56] **References Cited**

U.S. PATENT DOCUMENTS

D. 230,403 2/1974 Englund D14/116

D. 242,632 12/1976 McPherson D14/116
D. 294,519 3/1988 Hardy, Jr. D14/116 X
D. 333,133 2/1993 Hirota D14/114
3,869,599 3/1975 Sansone 382/59
5,047,615 9/1991 Fukumoto et al. 235/472 X

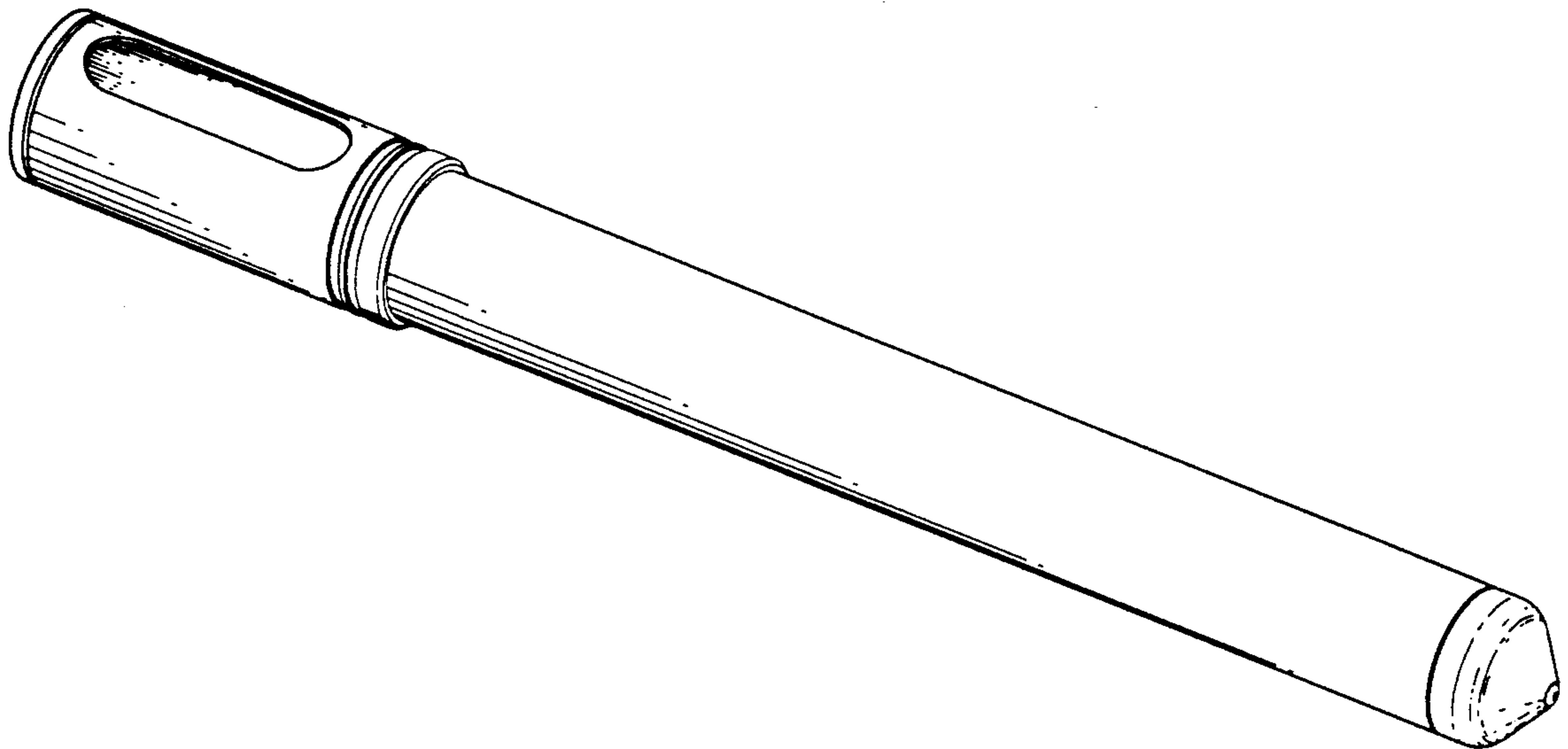
Primary Examiner—Wallace R. Burke
Assistant Examiner—M. H. Tung
Attorney, Agent, or Firm—Seed and Berry

[57] **CLAIM**

The ornamental design for a bar code wand, as shown and described.

DESCRIPTION

FIG. 1 is a front perspective view of a bar code wand, showing our new design;
FIG. 2 is a top plan view thereof;
FIG. 3 is a bottom plan thereof;
FIG. 4 is a front elevational view thereof; and,
FIG. 5 is a rear elevational view thereof.



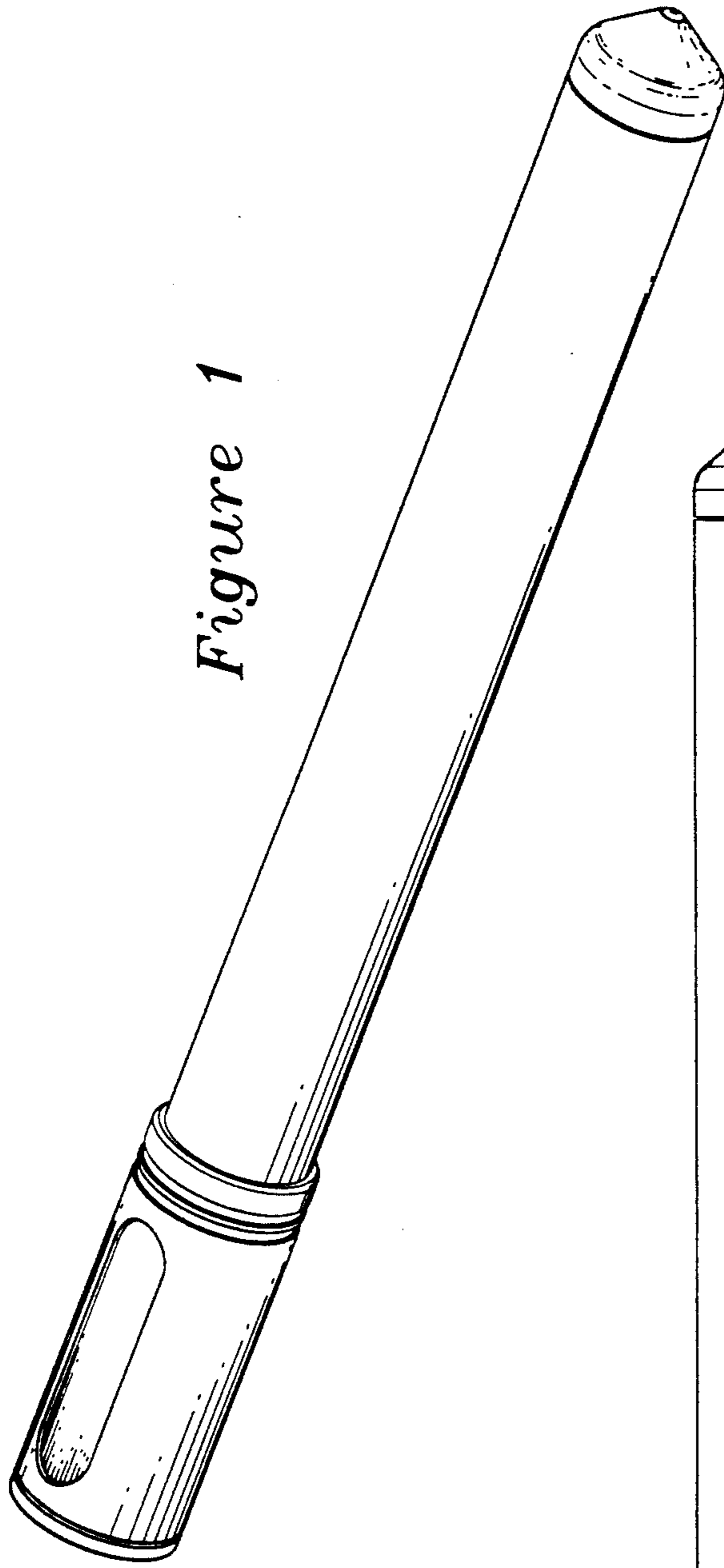


Figure 1

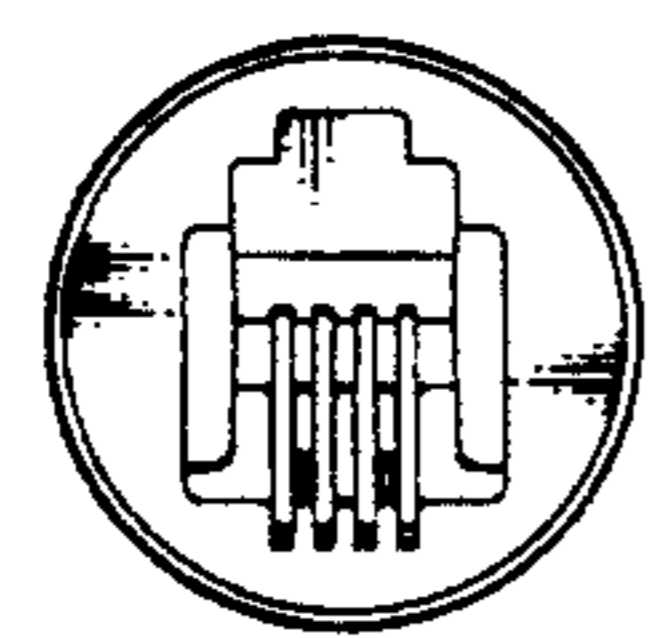


Figure 5

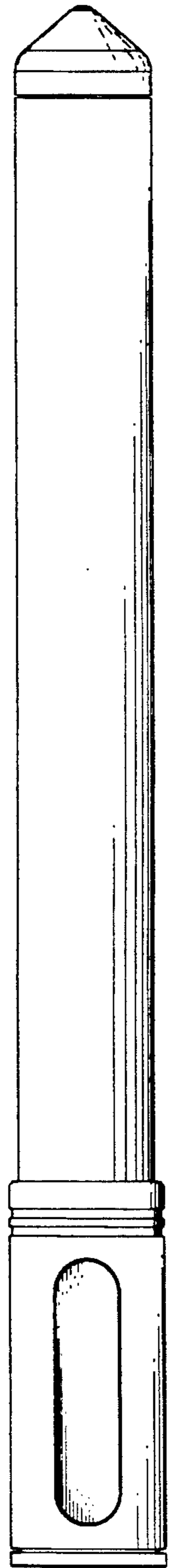


Figure 2

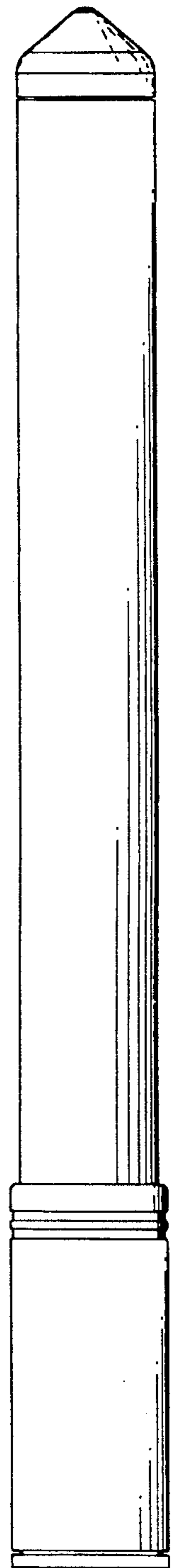


Figure 3

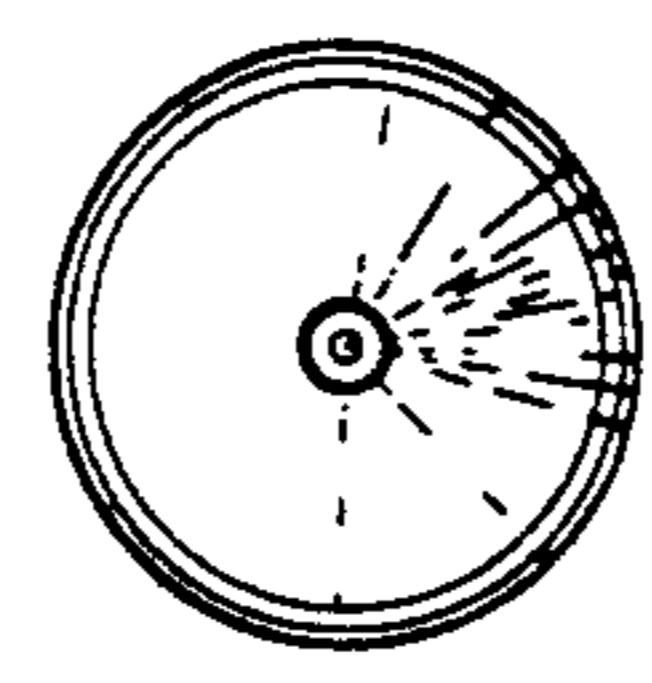


Figure 4