



US00D344935S

United States Patent [19]

[11] Patent Number: **Des. 344,935**

Imai et al.

[45] Date of Patent: **** Mar. 8, 1994**

[54] VIDEO DISPLAY

[56] References Cited

[75] Inventors: **Toshitaka Imai**, Sagamihara;
Yoshiyuki Manabe, Ebina; **Tomoyuki Takahashi**, Fujisawa, all of Japan

U.S. PATENT DOCUMENTS

D. 294,944 3/1988 Chu D14/113
D. 313,406 1/1991 Kao D14/113

[73] Assignee: **International Business Machines Corp.**, Armonk, N.Y.

Primary Examiner—Wallace R. Burke
Assistant Examiner—Freda S. Nunn
Attorney, Agent, or Firm—Martin J. McKinley

[**] Term: **14 Years**

[57] CLAIM

The ornamental design for a video display, as shown and described.

[21] Appl. No.: **934,071**

DESCRIPTION

[22] Filed: **Aug. 21, 1992**

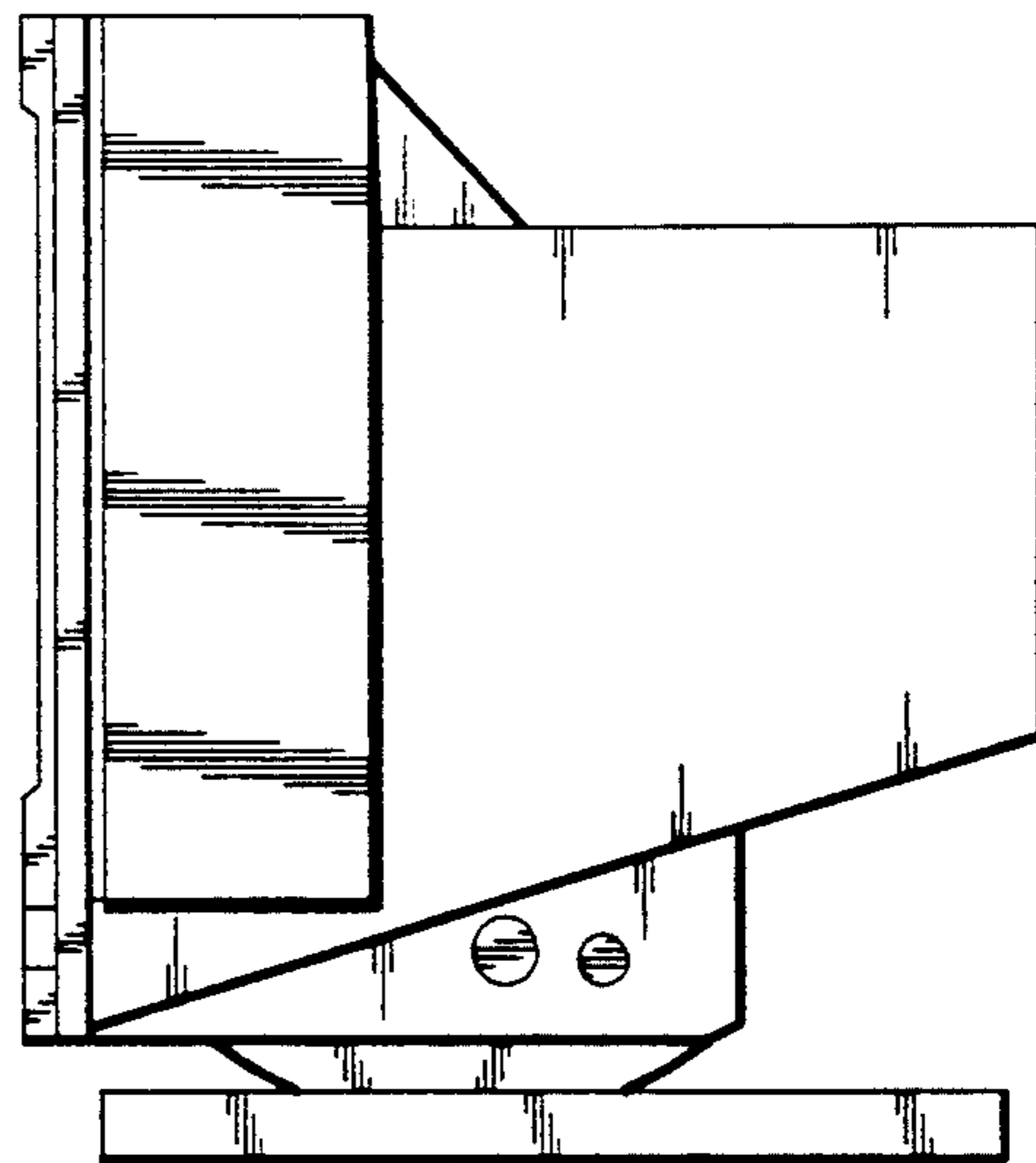
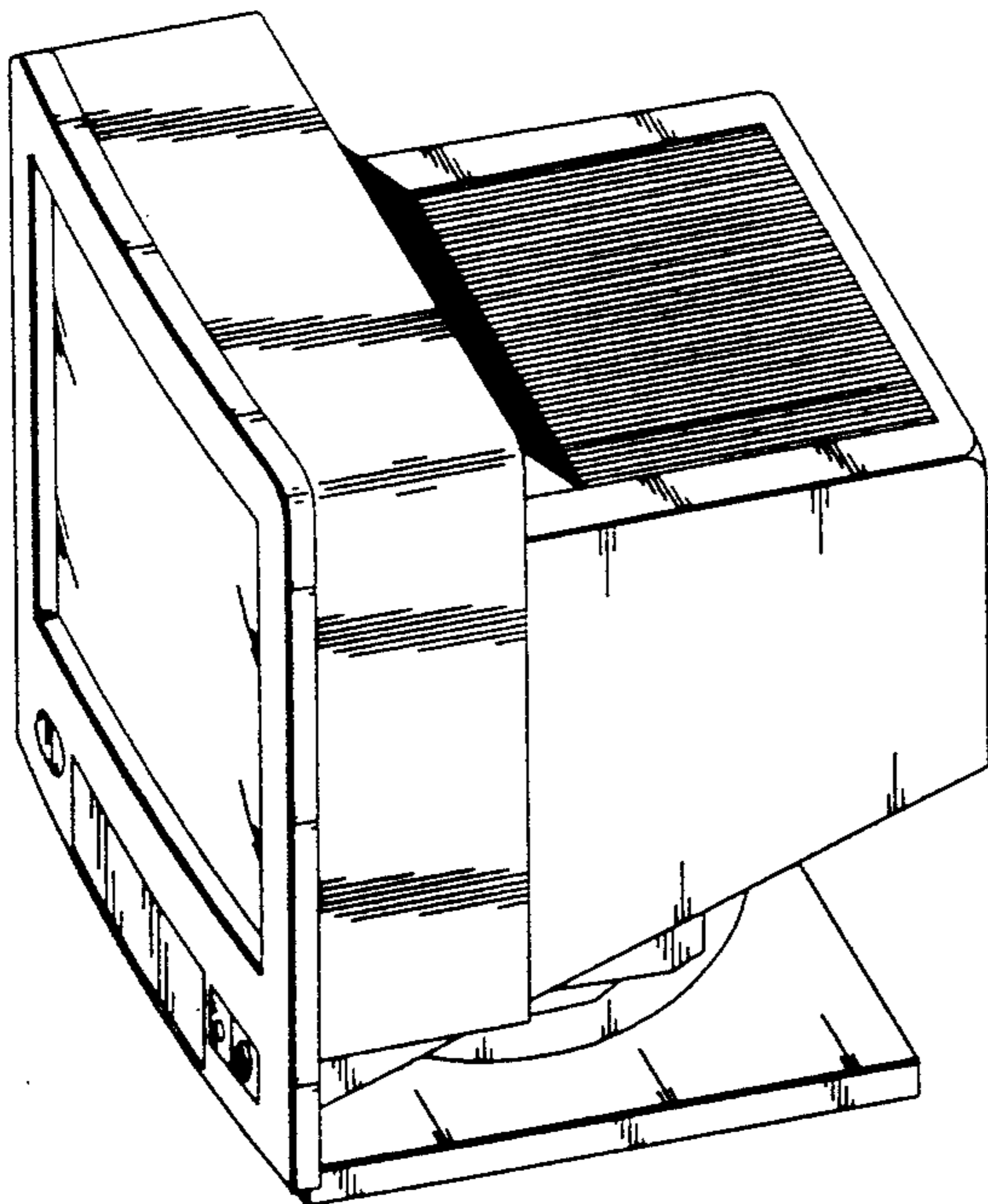
FIG. 1 is a right front perspective view of a video display showing our new design with the control panel cover shown opened;
FIG. 2 is a top front and right side perspective view thereof with the control panel cover shown closed;
FIG. 3 is a front elevational view thereof;
FIG. 4 is a rear elevational view thereof;
FIG. 5 is a top plan view thereof;
FIG. 6 is a bottom plan view thereof;
FIG. 7 is a left side elevational view thereof; and,
FIG. 8 is a right side elevational view thereof.

[30] Foreign Application Priority Data

Feb. 21, 1992 [JP] Japan 4-4495

[52] U.S. Cl. **D14/113**

[58] Field of Search 340/700, 706; 358/249, 358/254, 255; 248/917-924; D14/100, 101, 106, 113, 124-127



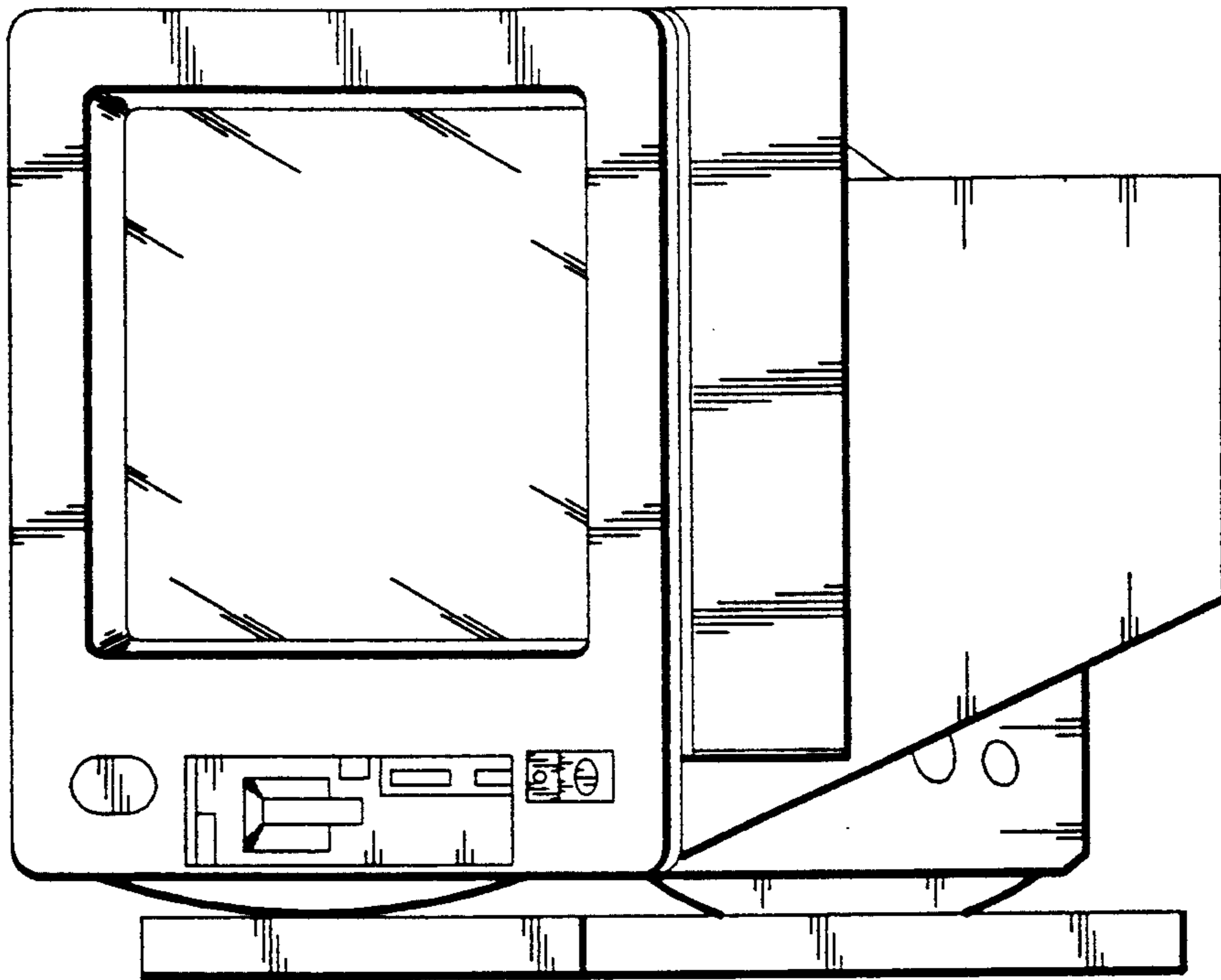


FIG. 1

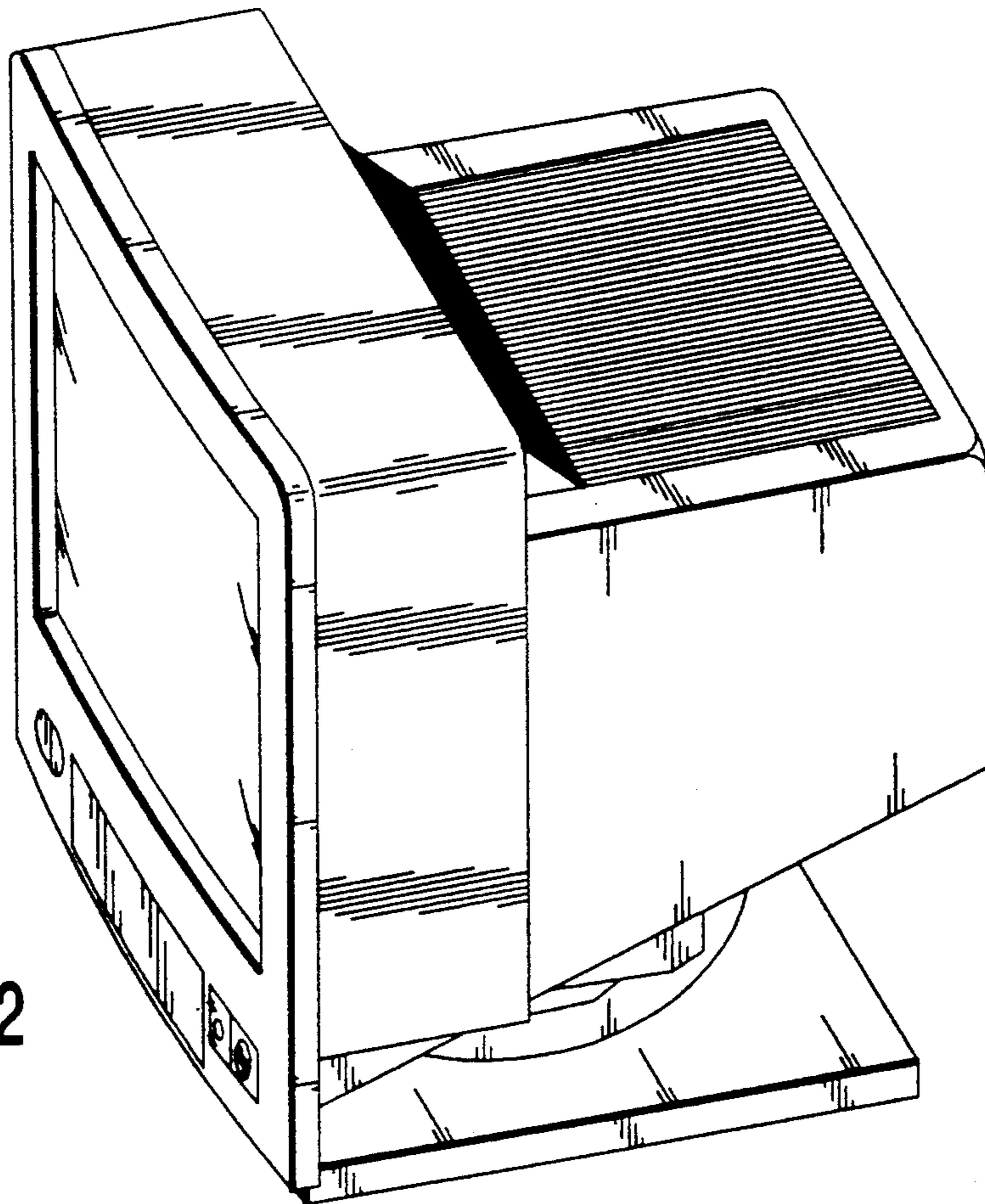


FIG. 2

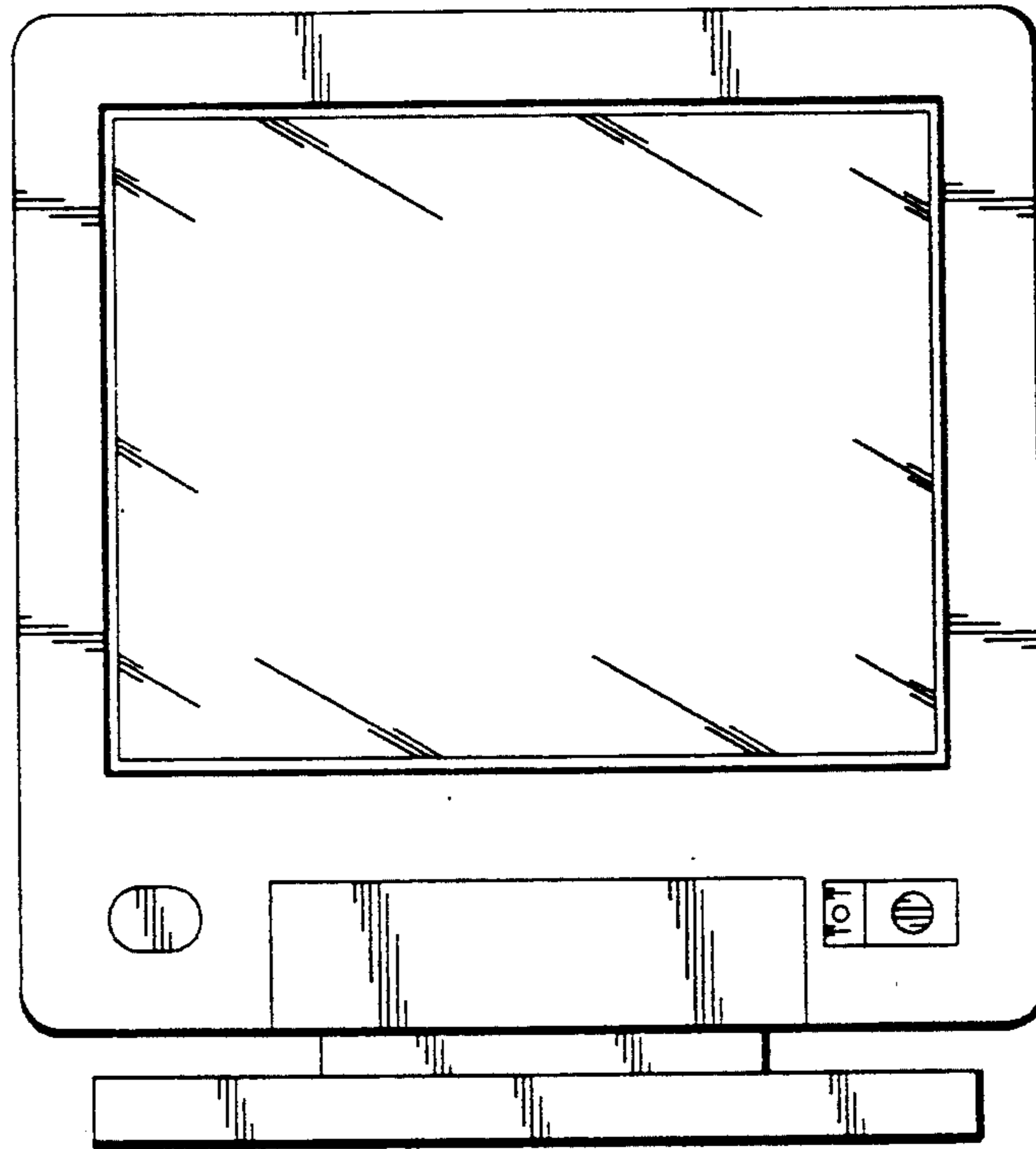


FIG. 3

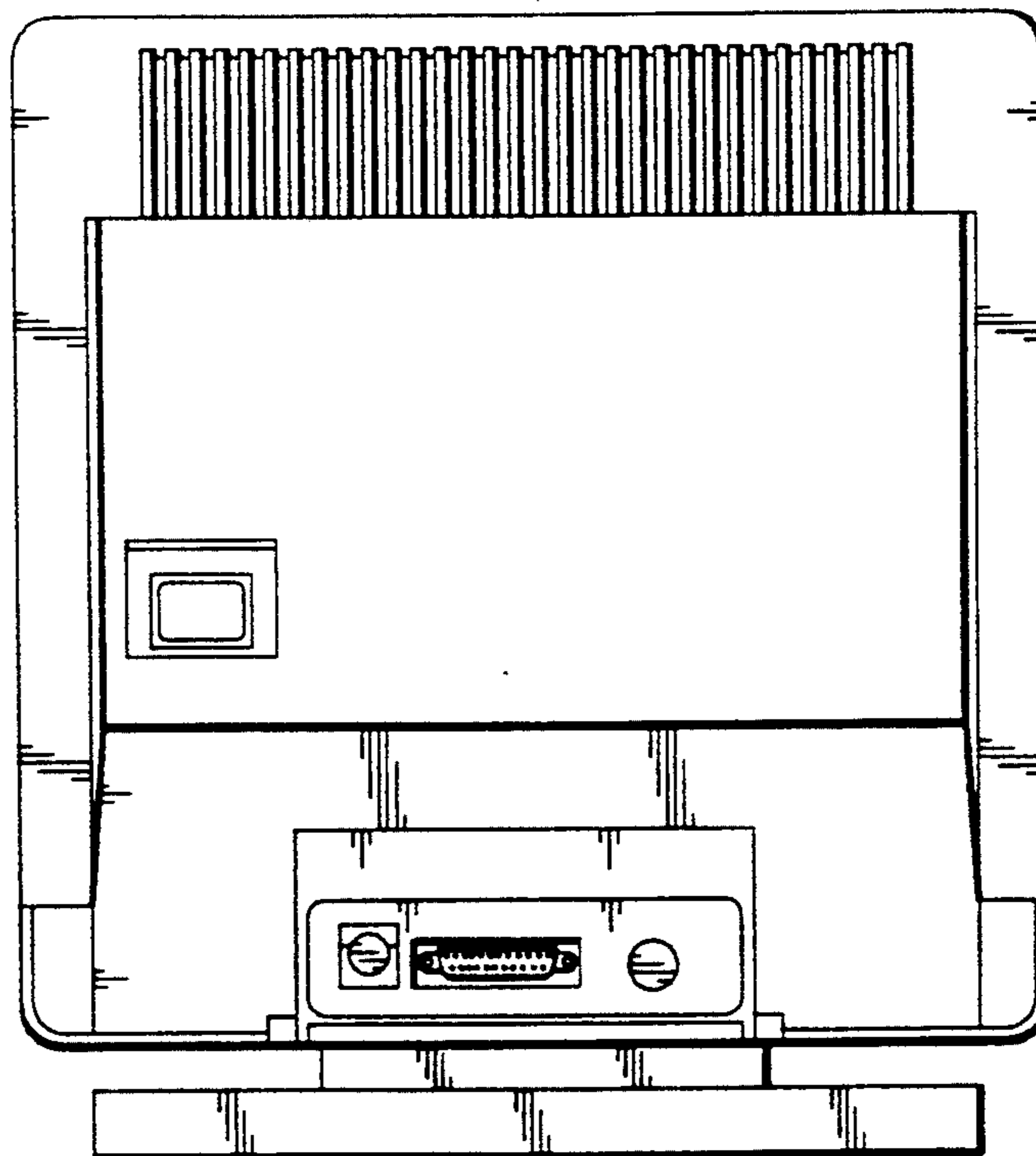


FIG. 4

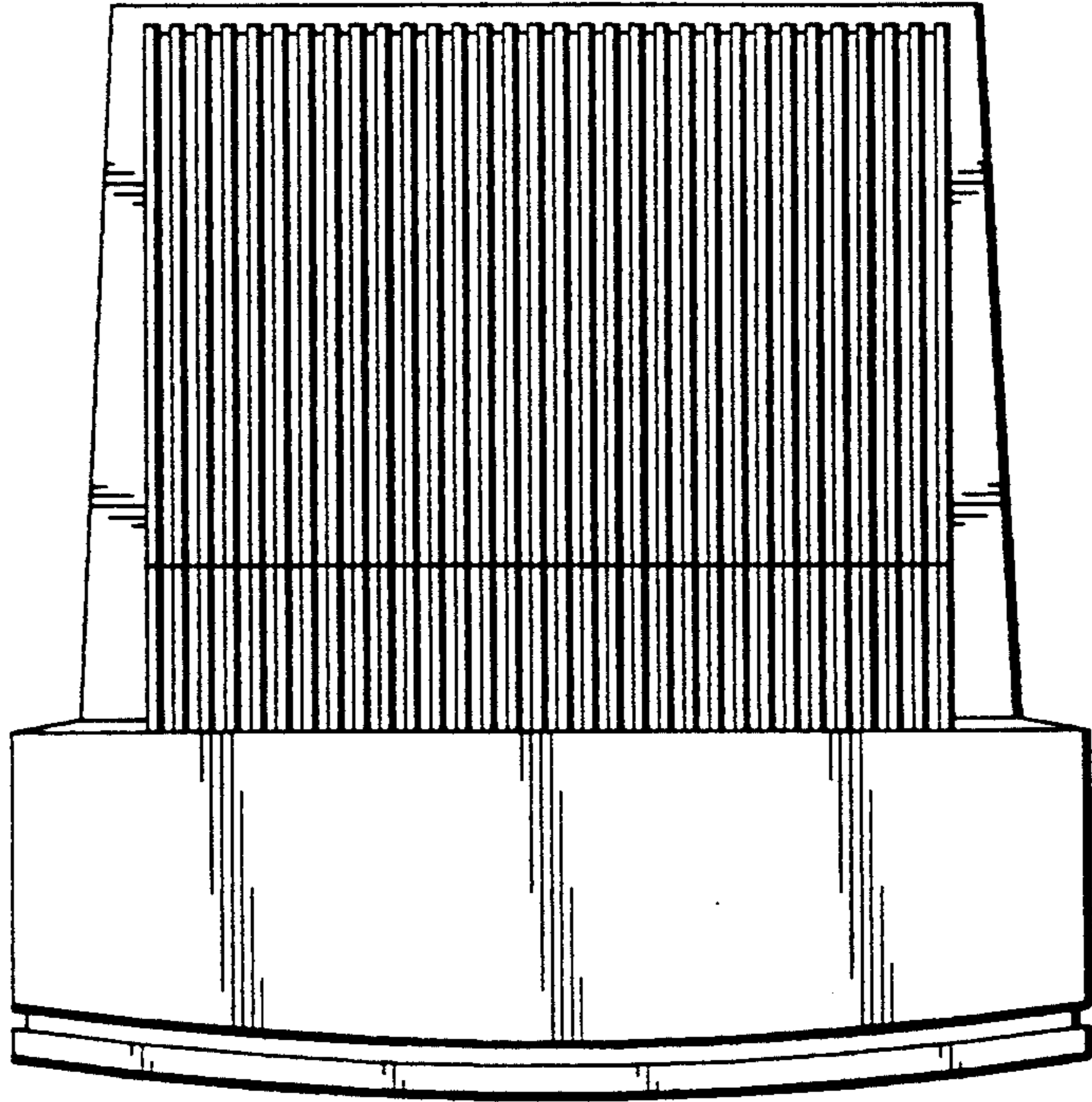


FIG. 5

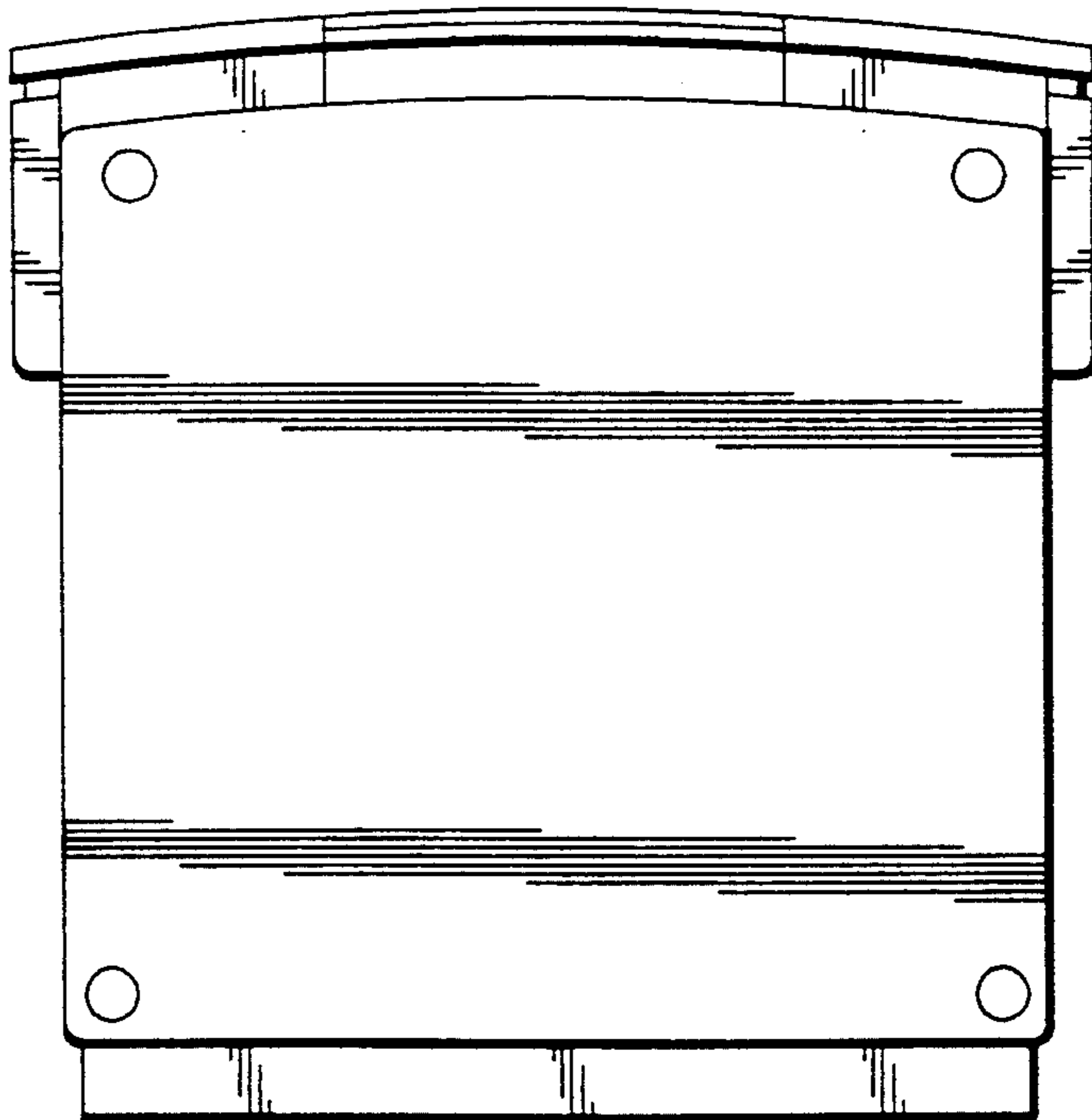


FIG. 6

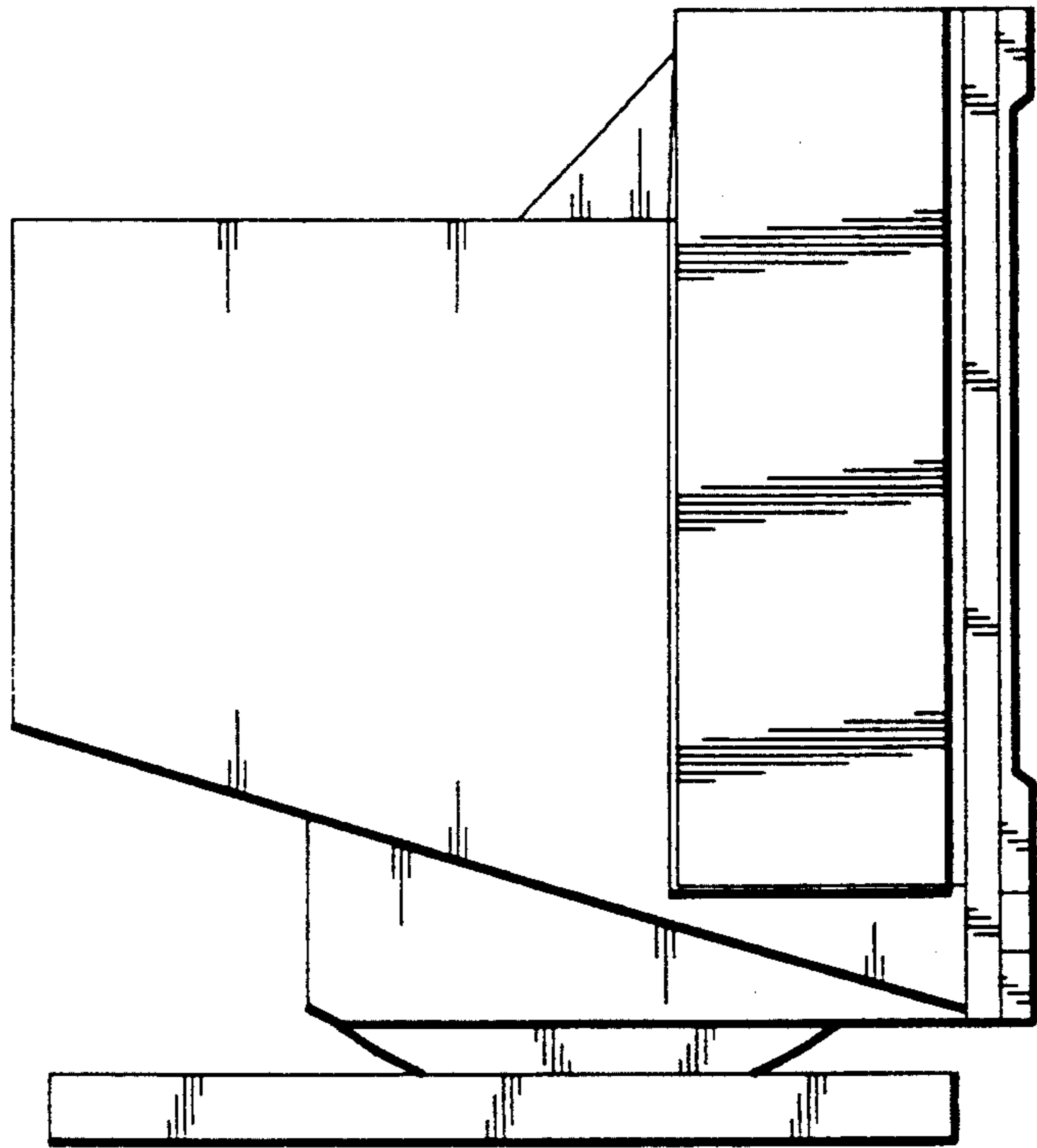


FIG. 7

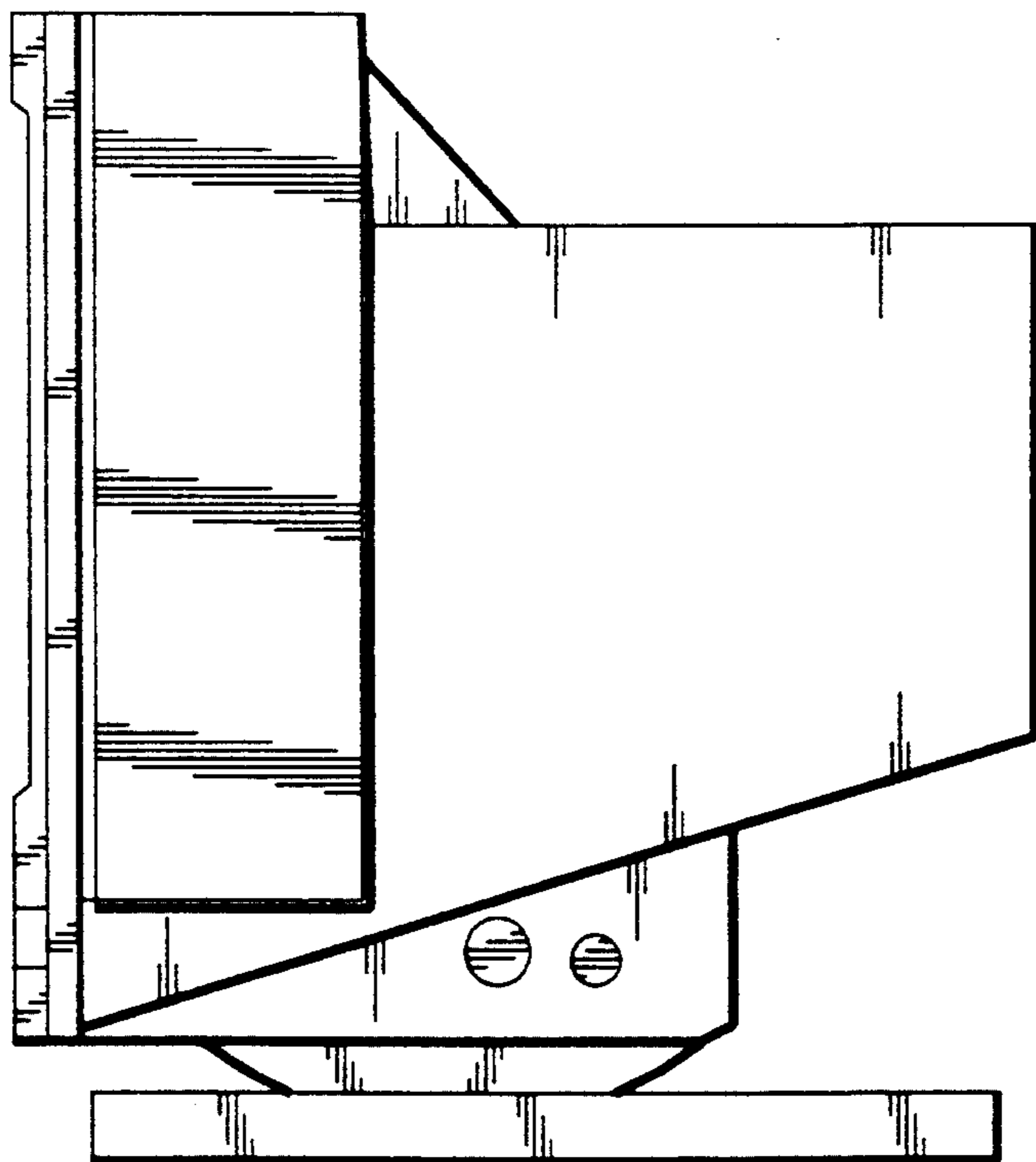


FIG. 8