



US00D344933S

United States Patent [19]

[11] Patent Number: **Des. 344,933**

Wiseman et al.

[45] Date of Patent: **** Mar. 8, 1994**

[54] DISPLAY

[75] Inventors: **John A. Wiseman**, Hillsboro Beach, Fla.; **Timothy J. Rodd**, Lyndhurst, United Kingdom; **Kazuhiko Yamazaki**, Hiratsuka, Japan

[73] Assignee: **International Business Machines Corporation**, Armonk, N.Y.

[**] Term: **14 Years**

[21] Appl. No.: **765,866**

[22] Filed: **Sep. 26, 1991**

[30] Foreign Application Priority Data

Mar. 26, 1991 [GB] United Kingdom 2013805

[52] U.S. Cl. **D14/113**

[58] Field of Search 340/700, 706; 358/249, 358/254; 364/708, 709.04; 361/390, 394; D14/100, 101, 106, 113, 124-127

[56]

References Cited

U.S. PATENT DOCUMENTS

D. 303,661	9/1989	Manabe et al.	D14/113
D. 312,630	12/1990	Esslinger	D14/113
D. 313,405	1/1991	Barry et al.	D14/113
D. 317,912	7/1991	Takai	D14/113
D. 319,435	8/1991	Brown	D14/113
4,438,458	3/1984	Münscher	D14/113 X

Primary Examiner—Wallace R. Burke

Assistant Examiner—Freda S. Nunn

Attorney, Agent, or Firm—David Aker

[57]

CLAIM

The ornamental design for a display, as shown.

DESCRIPTION

FIG. 1 is a front perspective view of a display showing our design;

FIG. 2 is a rear perspective view thereof;

FIG. 3 is a right side elevational view thereof;

FIG. 4 is a left side elevational view thereof;

FIG. 5 is a front elevational view thereof;

FIG. 6 is a rear elevational view thereof;

FIG. 7 is a top plan view thereof; and,

FIG. 8 is a bottom plan view thereof.

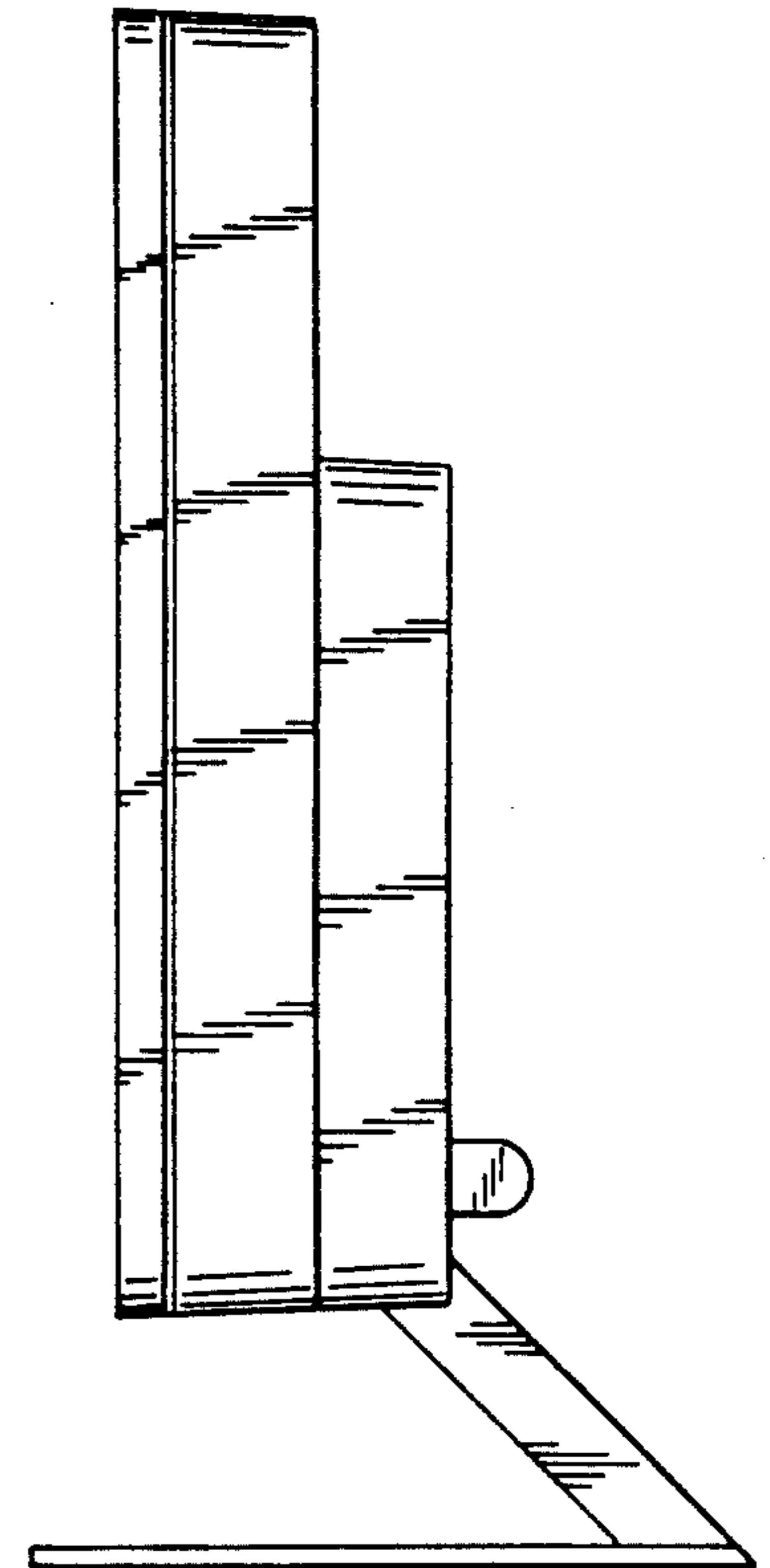
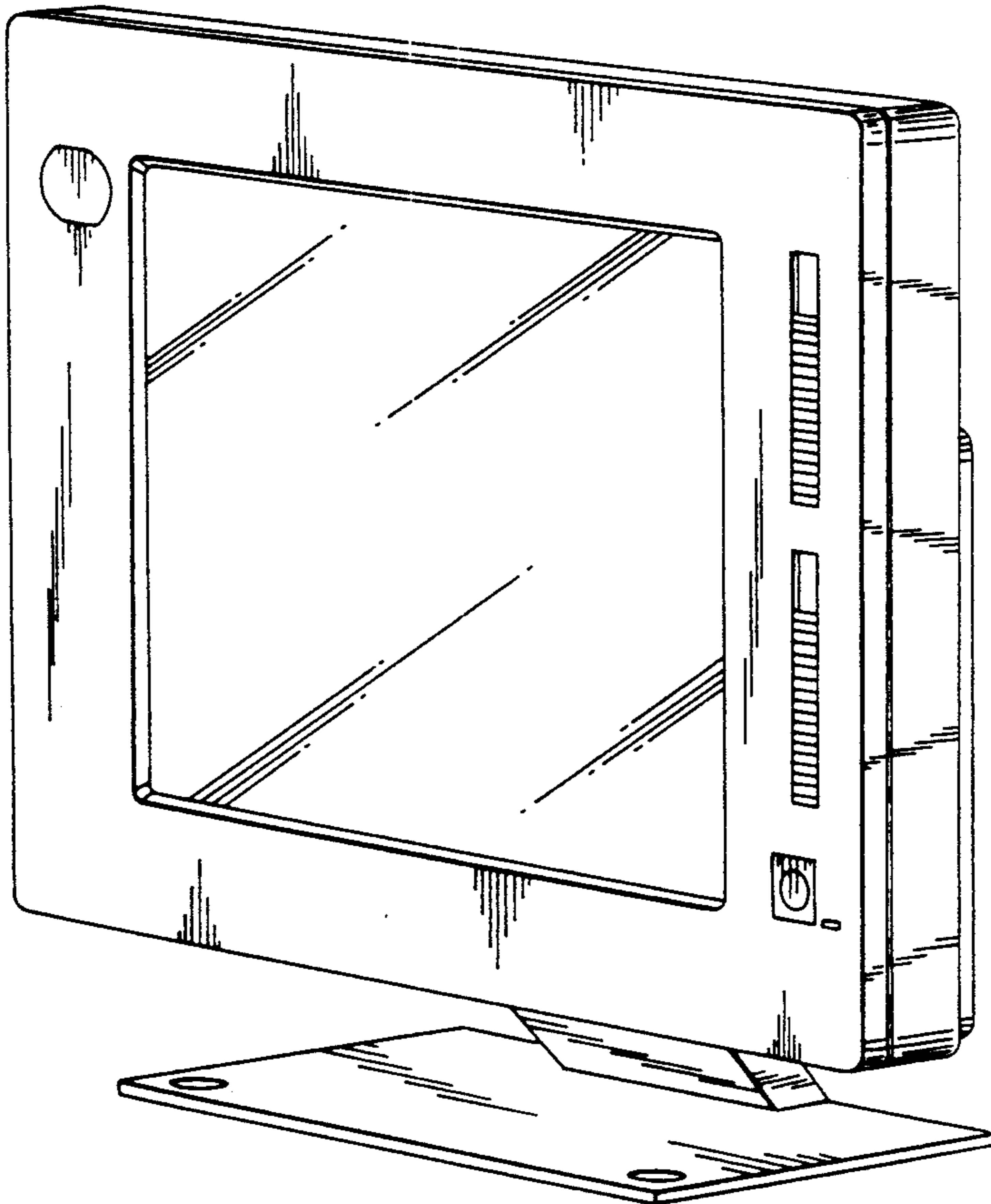


FIG. 1

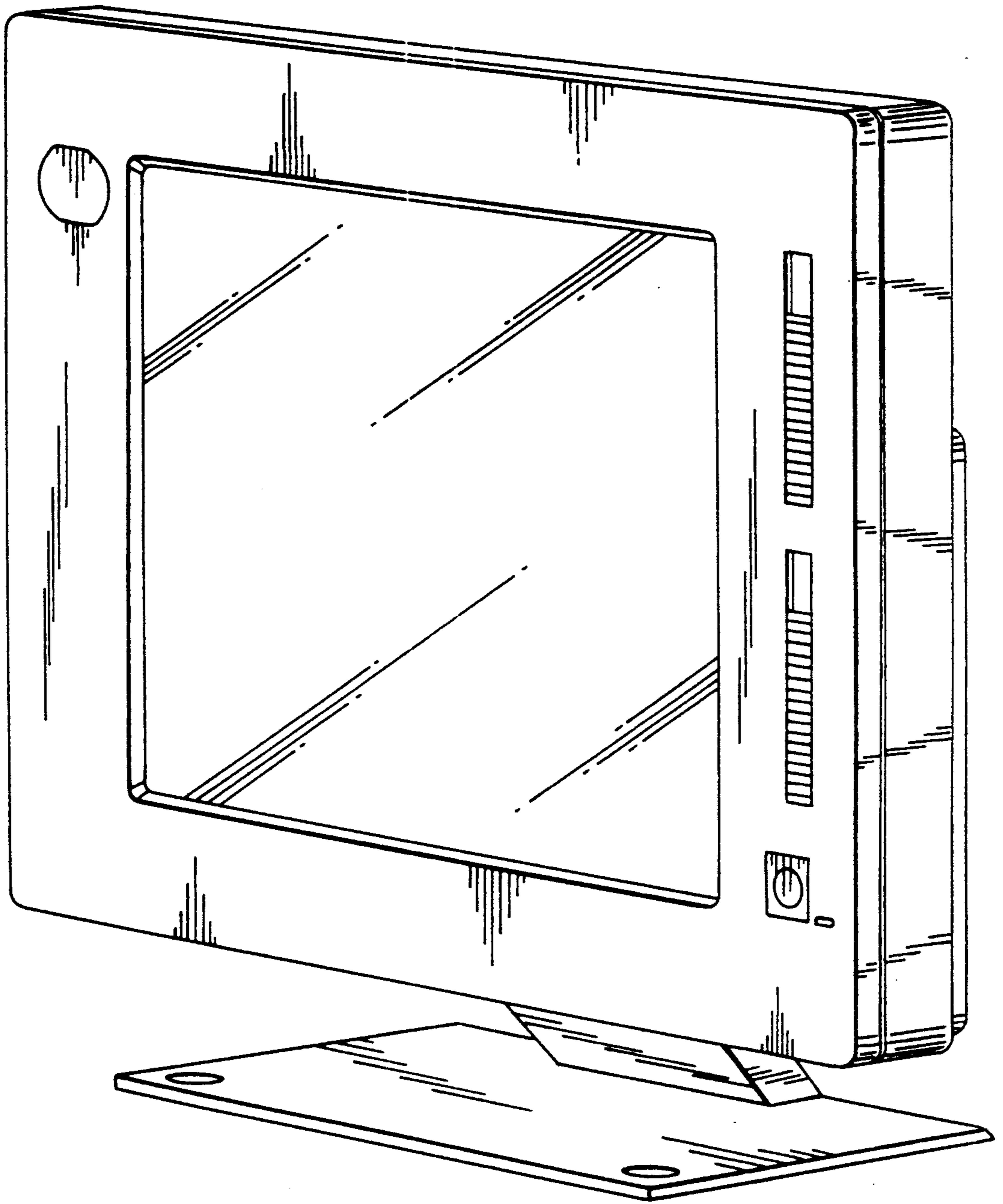
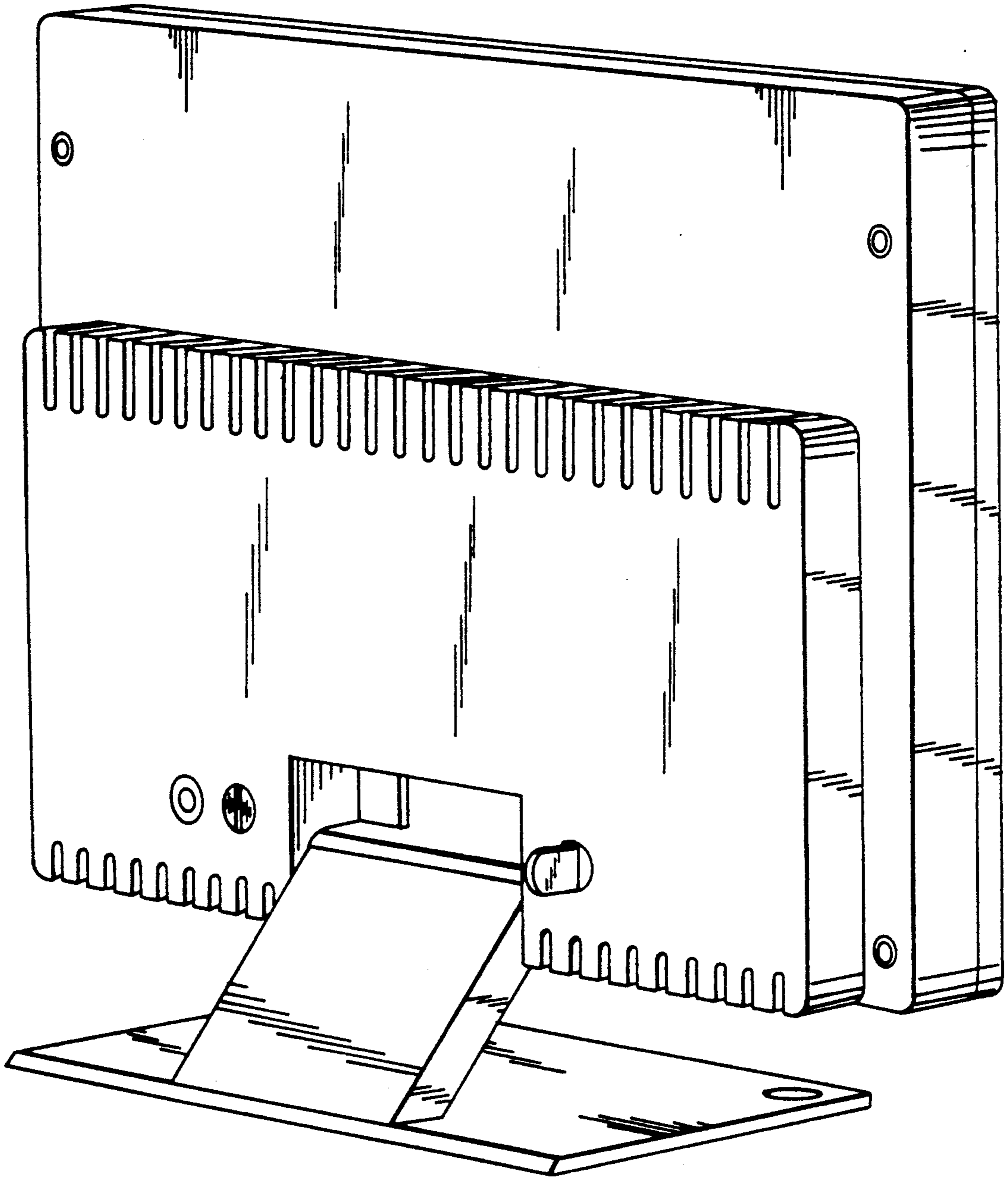


FIG. 2



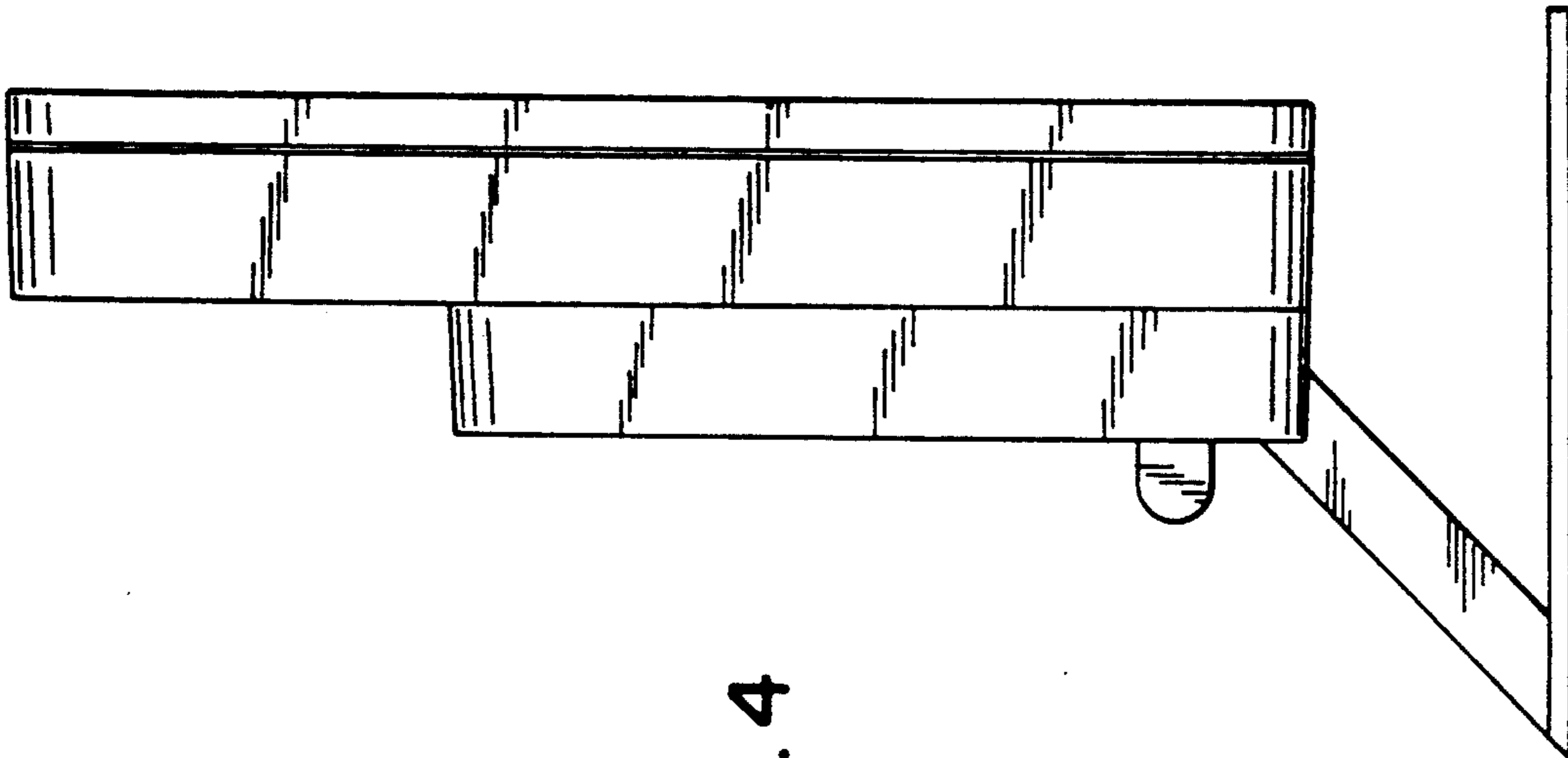


FIG. 4

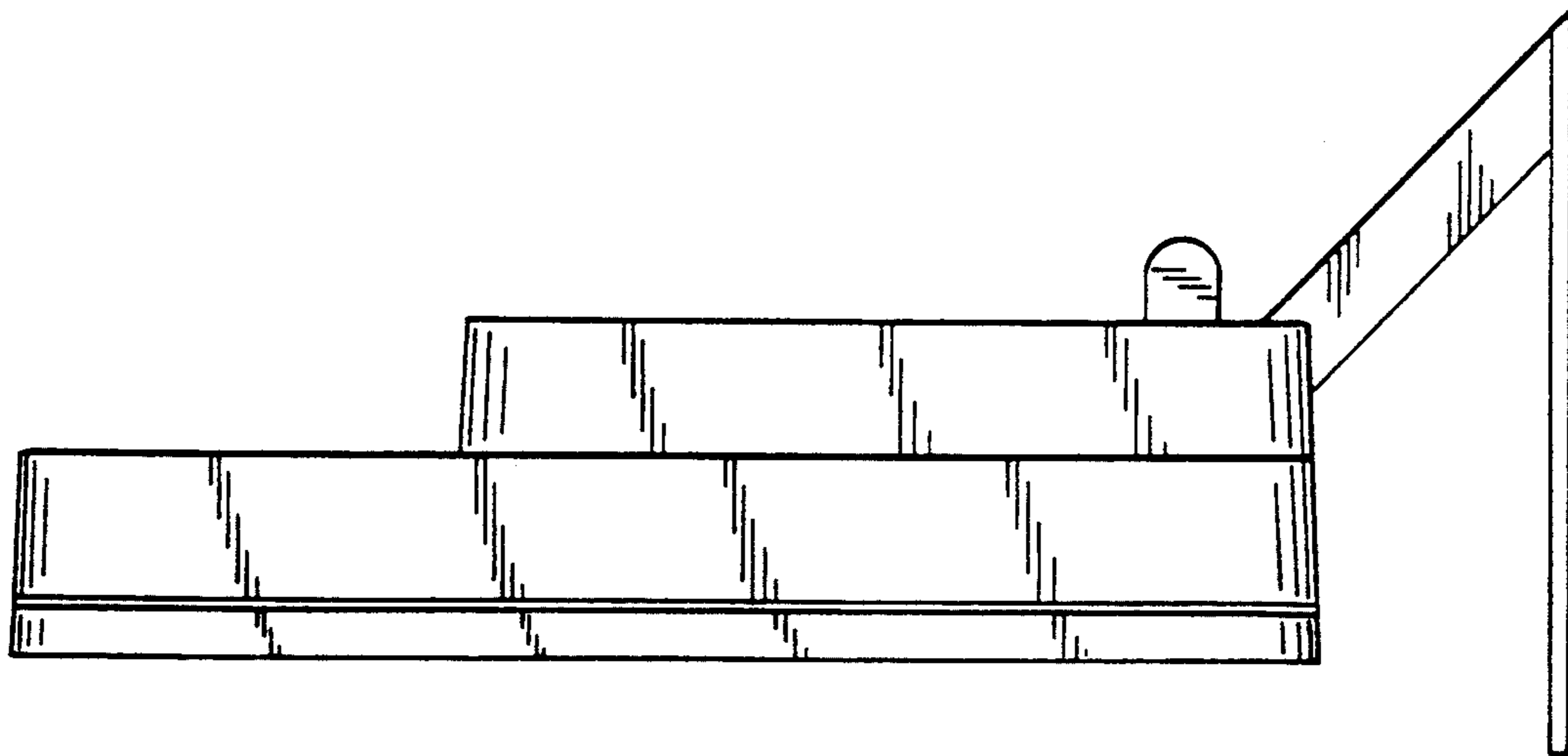


FIG. 3

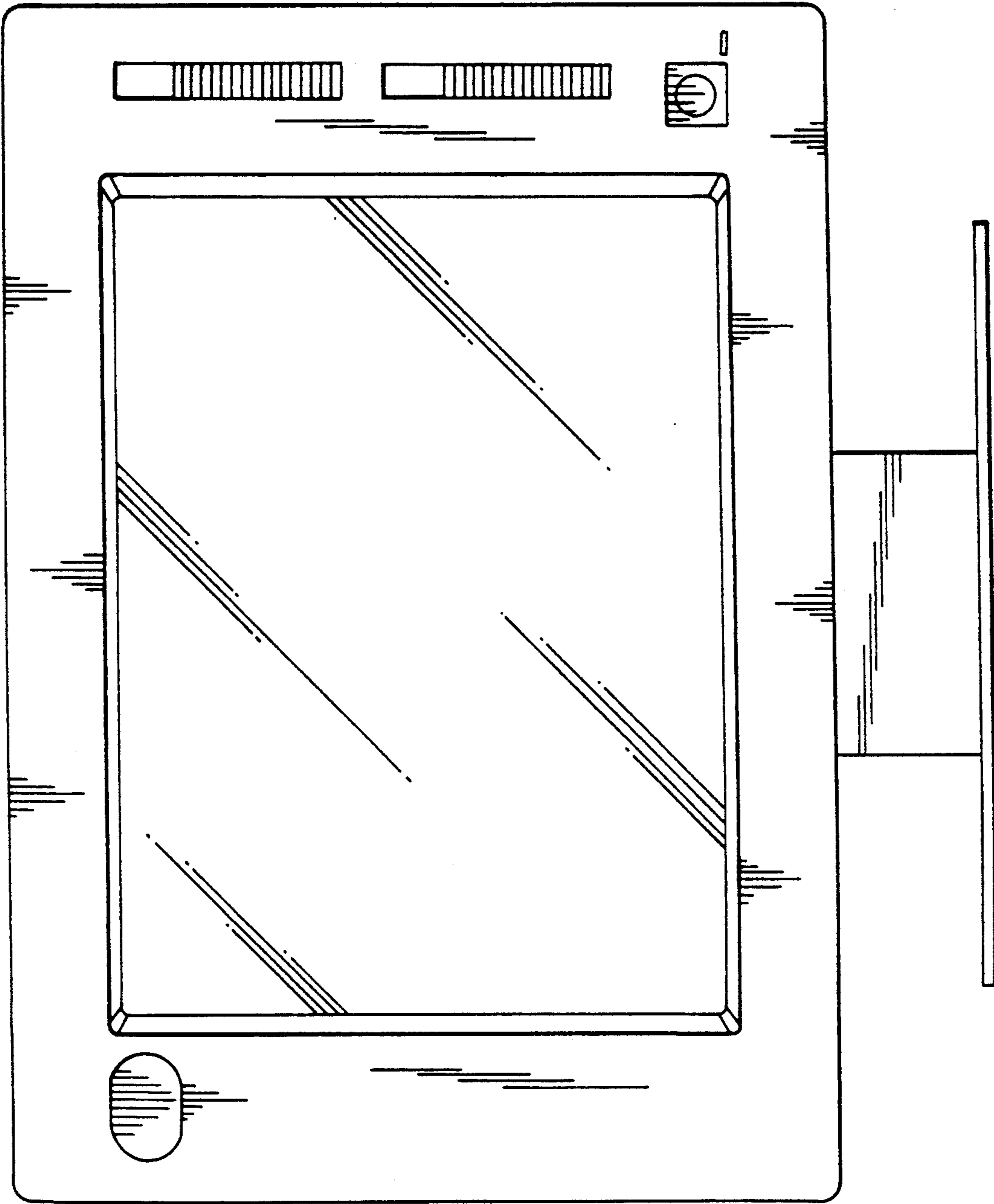


FIG. 5

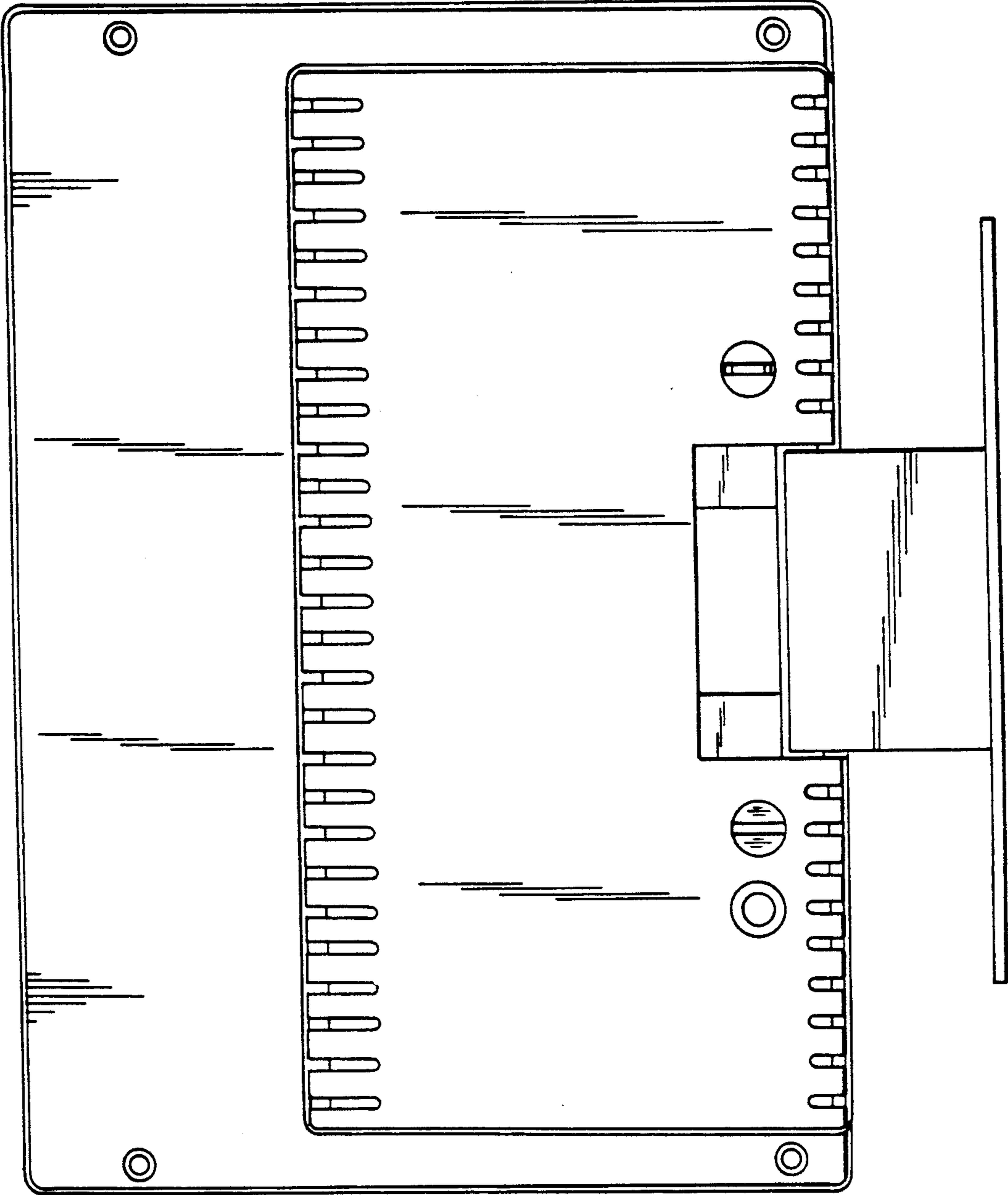


FIG. 6

FIG. 7

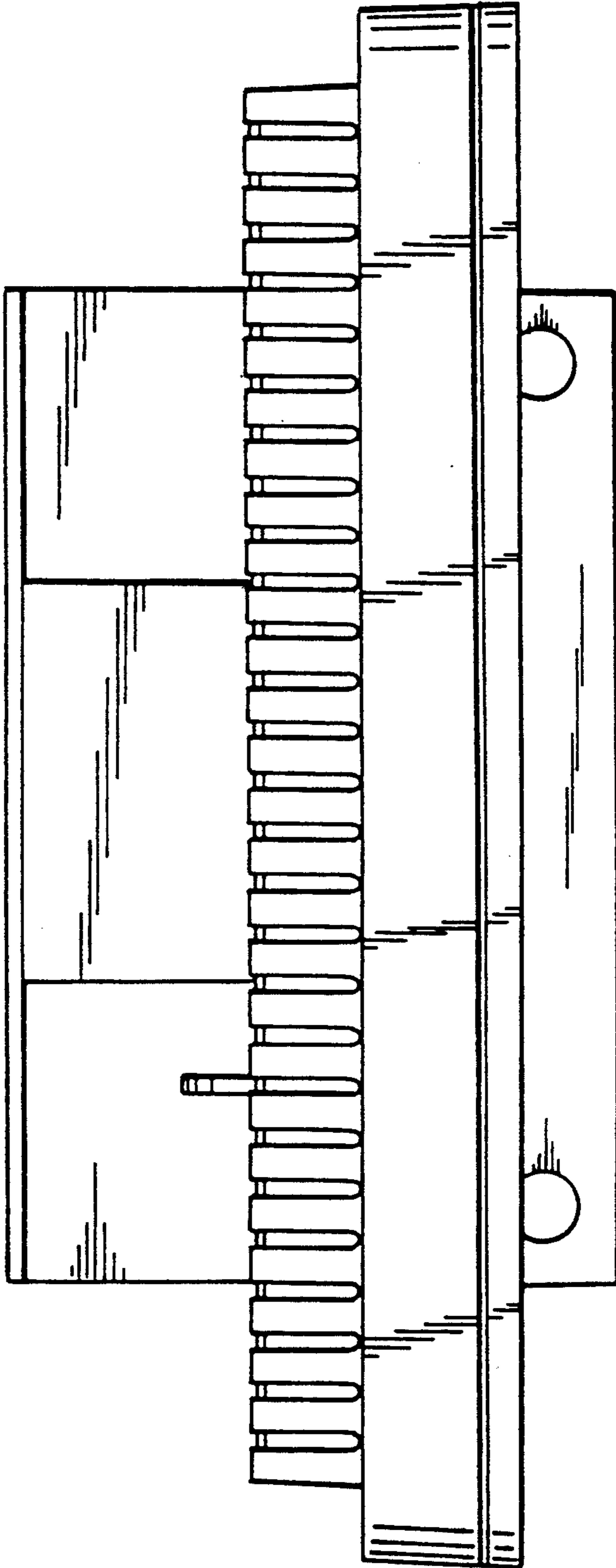


FIG. 8

