



US00D344930S

United States Patent [19] Schaeffer

[11] Patent Number: **Des. 344,930**

[45] Date of Patent: **** Mar. 8, 1994**

[54] **PUSHBUTTON ACTUATOR FOR AN ELECTRICAL SWITCH**

[75] Inventor: **Maurice Schaeffer, Strasbourg, France**

[73] Assignee: **BACO Constructions Electriques - Anct. Baumgarten S.A., France**

[**] Term: **14 Years**

[21] Appl. No.: **820,048**

[22] Filed: **Jan. 13, 1992**

[52] U.S. Cl. **D13/171**

[58] Field of Search 200/24, 293, 296, 302.1, 200/310, 341, 412, 417, 520; D13/158, 171, 174

[56] **References Cited**

U.S. PATENT DOCUMENTS

D. 325,377	4/1992	Krasser	D13/171 X
2,546,403	12/1970	Taessler	200/24
3,740,501	4/1973	Kiessling et al.	D13/171 X
3,843,855	10/1974	Danielson	200/520 X
4,405,826	9/1983	Reichert et al.	D13/171 X
4,549,050	10/1985	Lang	200/310 X

FOREIGN PATENT DOCUMENTS

2811620	9/1979	Fed. Rep. of Germany	200/341
1235114	6/1971	United Kingdom	200/341

OTHER PUBLICATIONS

Mushroom head switches on p. H9 of *Augat Alcoswitch* catalog ©1990.

Mushroom head switches on p. H2 of *Augat Alcoswitch* catalog ©1990.

Pushbutton switches on p. D33 of *Augat Alcoswitch* catalog ©1990.

Pushbutton switch on p. 21 of *Design News* Jan. 8, 1991. BACO Catalogue for Control and Signalling Gear, including only pages which show various switch designs, including front and back cover, and pp. 1, 3, 6, 7, 9, 10, 11, 12, 15, 16, 18, 20, 22-31, 36-42, 49, 55, 56 and 64, Apr. 1986.

Primary Examiner—Wallace R. Burke

Assistant Examiner—J. Sincavage

Attorney, Agent, or Firm—Larson and Taylor

[57] **CLAIM**

The ornamental design for a pushbutton actuator for an electrical switch, as shown and described.

DESCRIPTION

FIG. 1 is a perspective view of a pushbutton actuator for an electrical switch, showing my new design;

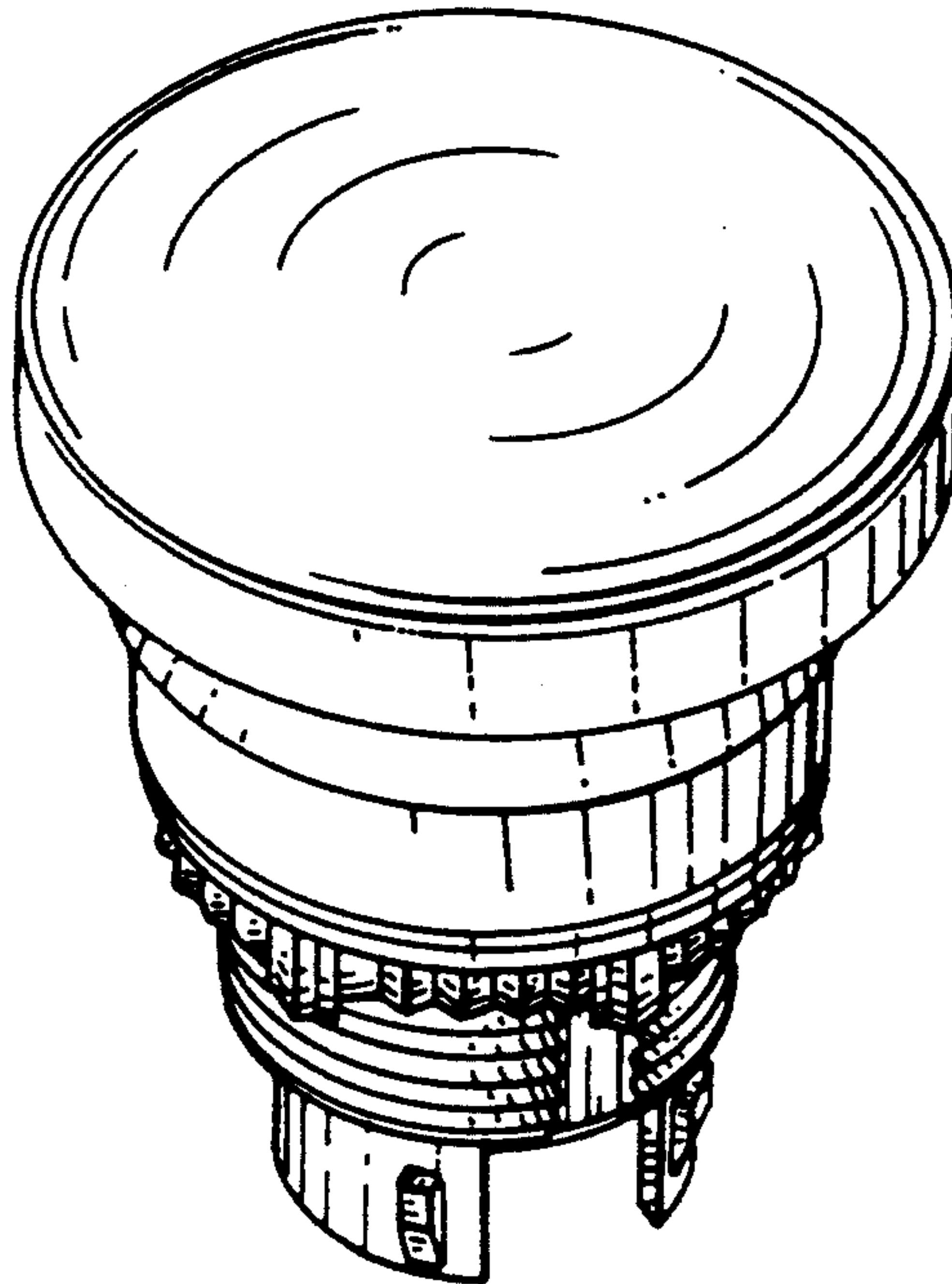
FIG. 2 is a front elevational view of FIG. 1;

FIG. 3 is a side elevational view of FIG. 2;

FIG. 4 is a top plan view of FIG. 1; and,

FIG. 5 is a bottom plan view of FIG. 1.

The side opposite to FIG. 2 is identical to FIG. 2 and the side opposite from FIG. 3 is identical to FIG. 3.



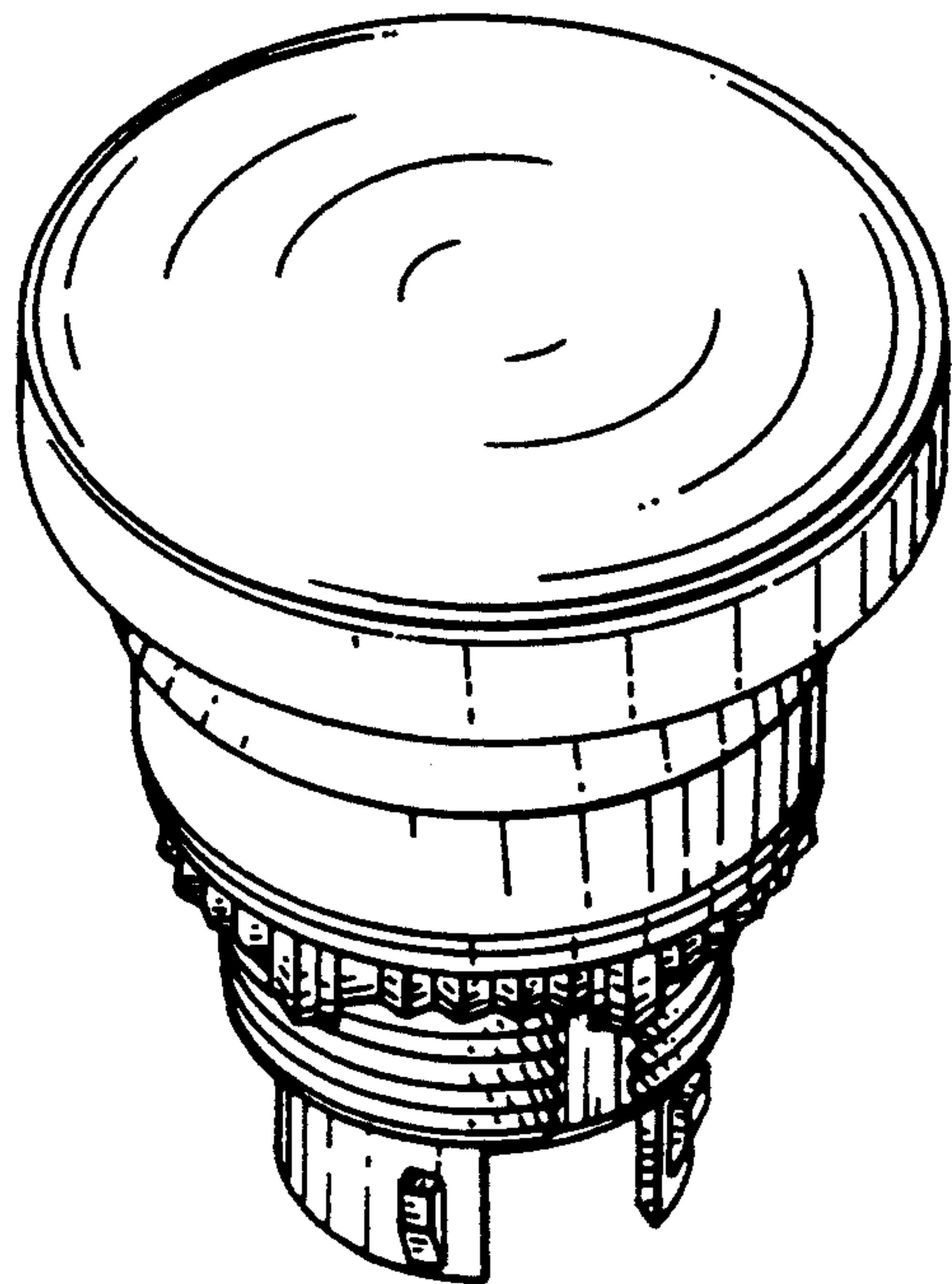


FIG. 1

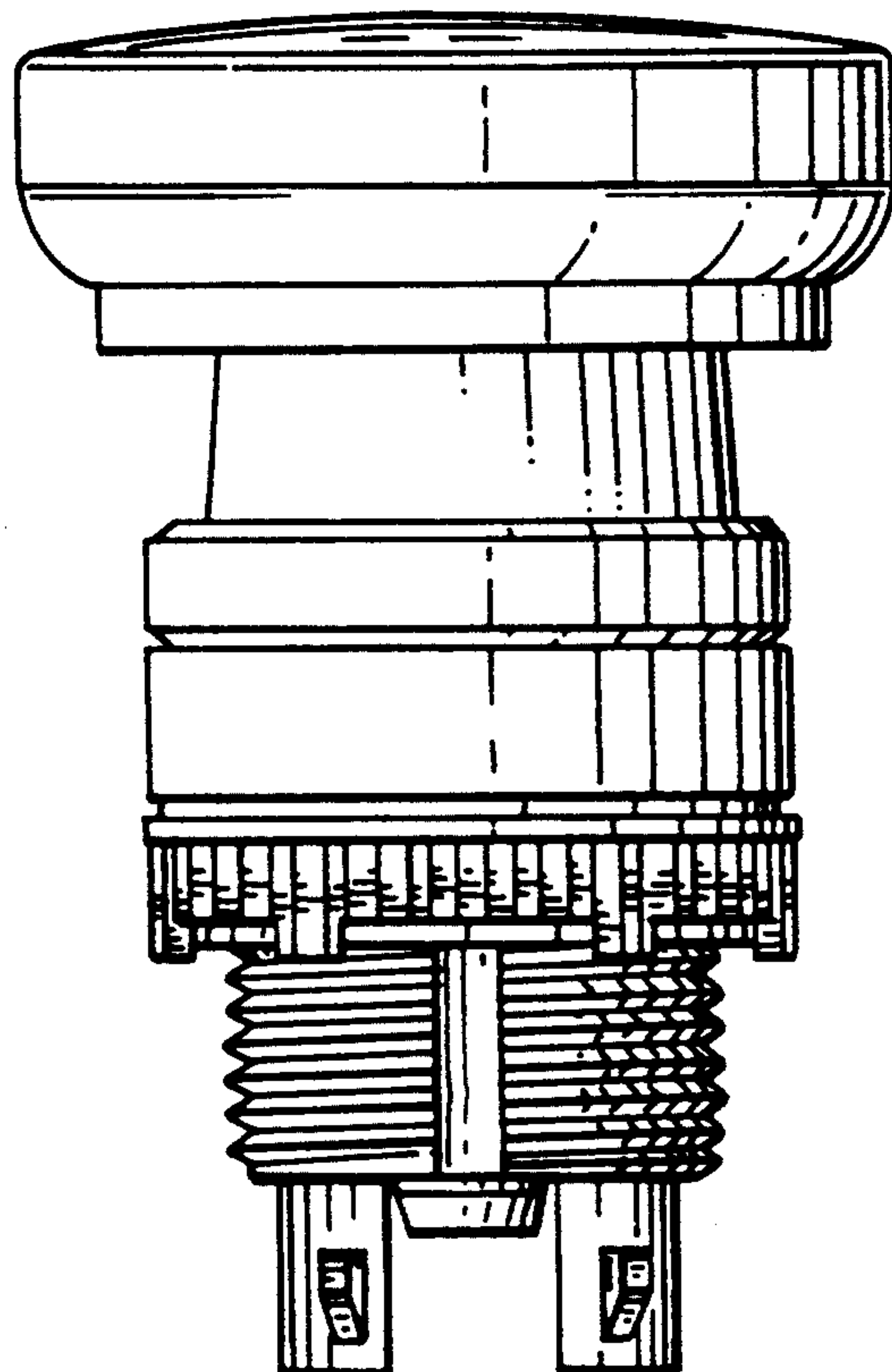


FIG. 2

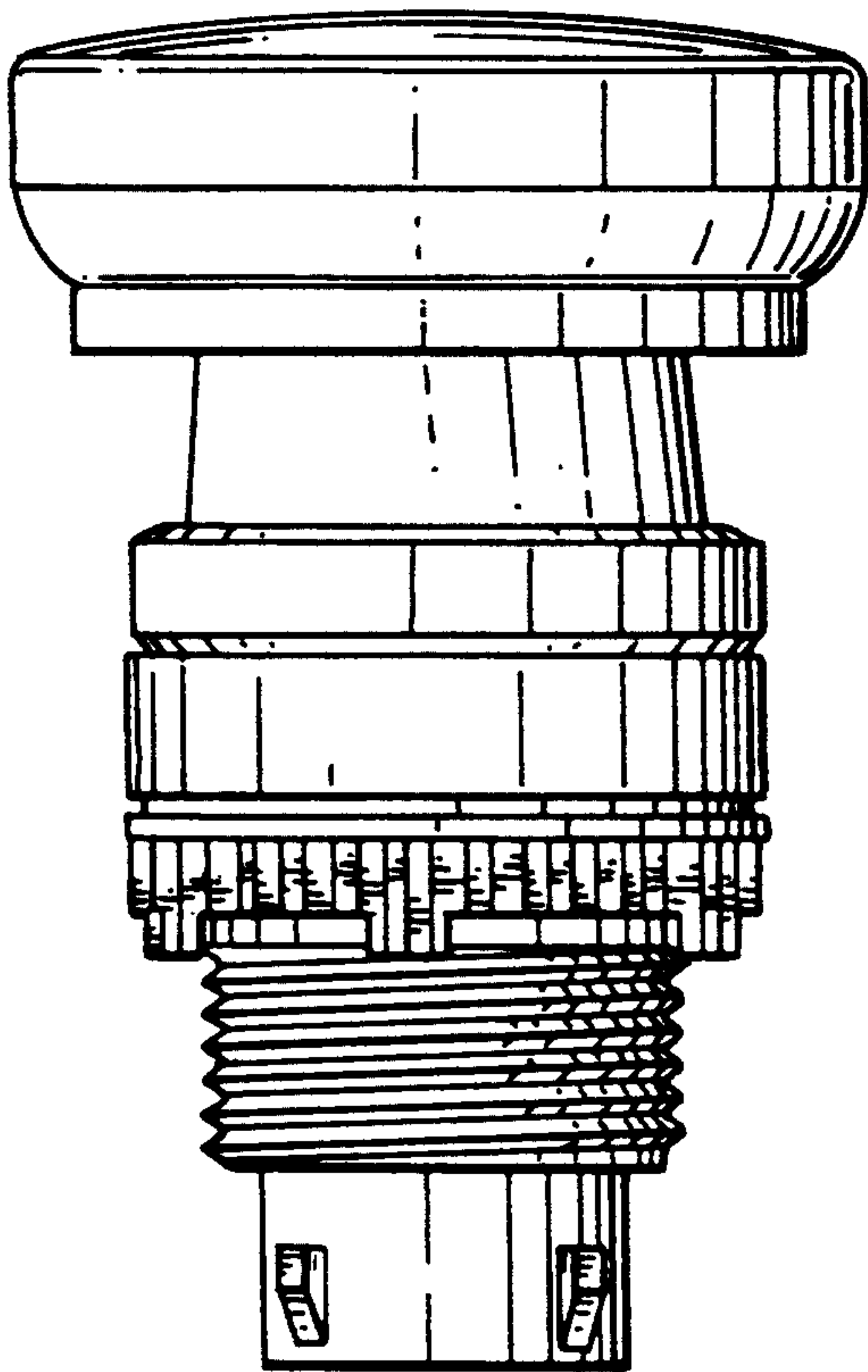


FIG. 3

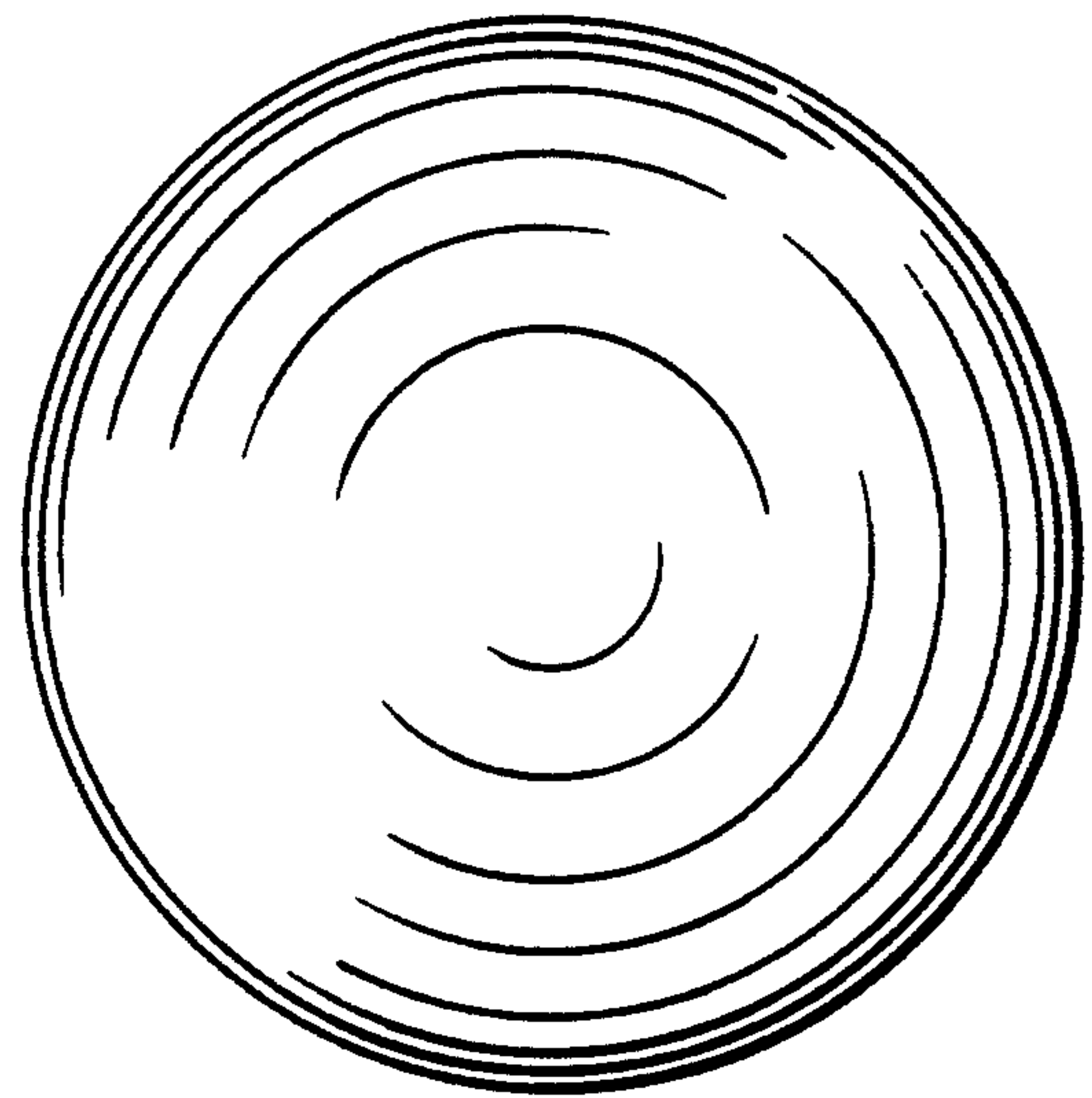


FIG. 4

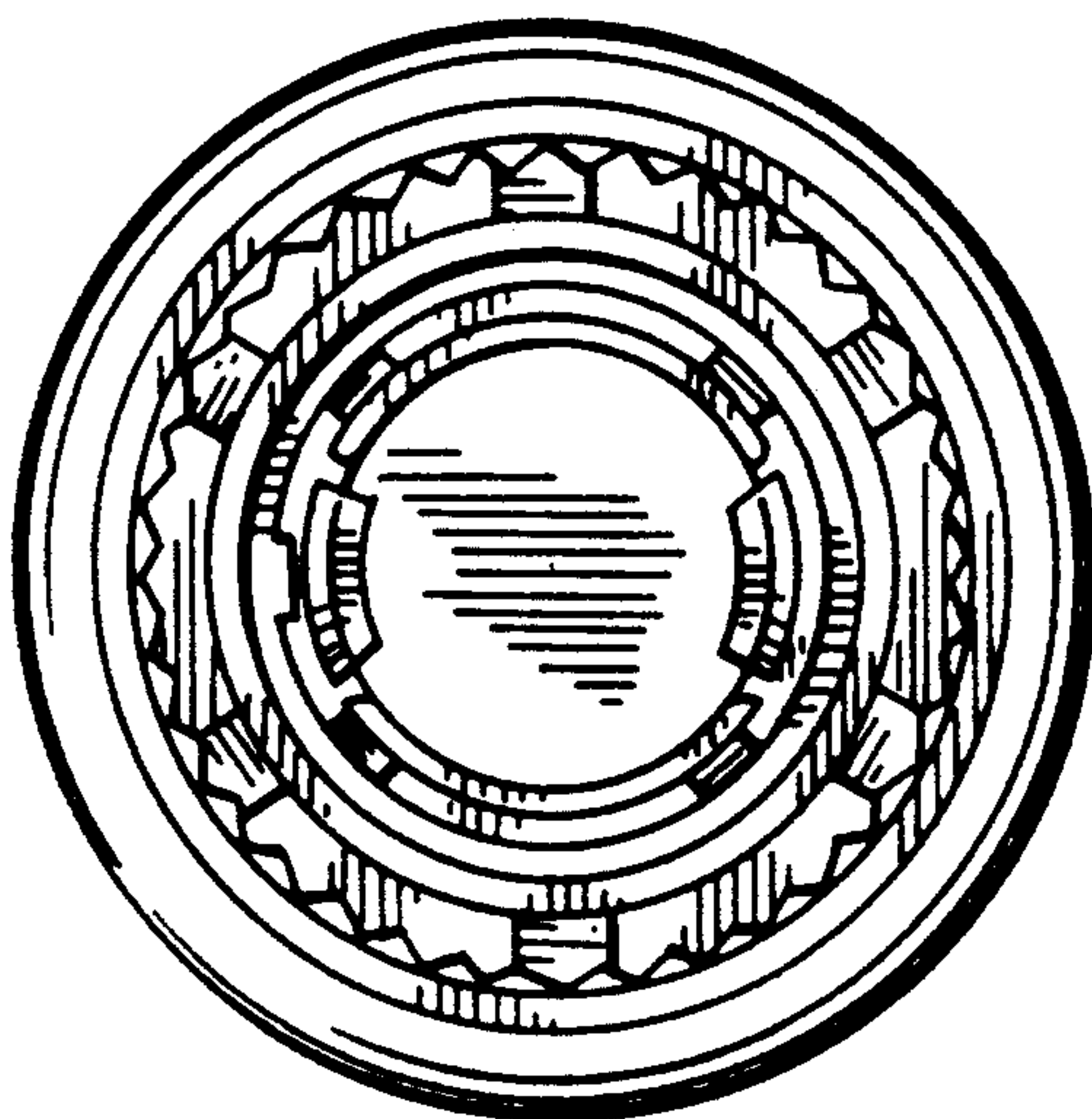


FIG. 5