



US00D344925S

United States Patent [19]

[11] Patent Number: **Des. 344,925**

Schimmelpfenning, Jr.

[45] Date of Patent: **** Mar. 8, 1994**

[54] **SHROUD-ENCLOSING PANEL FOR THE WALL OF THE INTERIOR OF AN AIRCRAFT**

Attorney, Agent, or Firm—Gun, Lee & Miller

[75] Inventor: **Fred J. Schimmelpfenning, Jr., San Antonio, Tex.**

[57] **CLAIM**

The ornamental design for a shroud-enclosing panel for the wall of the interior of an aircraft, as shown and described.

[73] Assignee: **Pat Pyka Design Consultants, Inc., San Antonio, Tex.**

DESCRIPTION

[**] Term: **14 Years**

FIG. 1 is a front perspective view of a shroud-enclosing panel for the wall of the interior of an aircraft without monitor shrouds attached;

[21] Appl. No.: **814,297**

FIG. 2 is a perspective view thereof with one monitor in an open condition and one monitor in a closed condition;

[22] Filed: **Dec. 23, 1991**

[52] U.S. Cl. **D12/345**

FIG. 3 is a perspective view thereof with both monitors in closed condition;

[58] Field of Search **244/129.4; D12/345; D14/113**

FIG. 4 is a perspective view thereof with both monitors in opened condition;

[56] **References Cited**

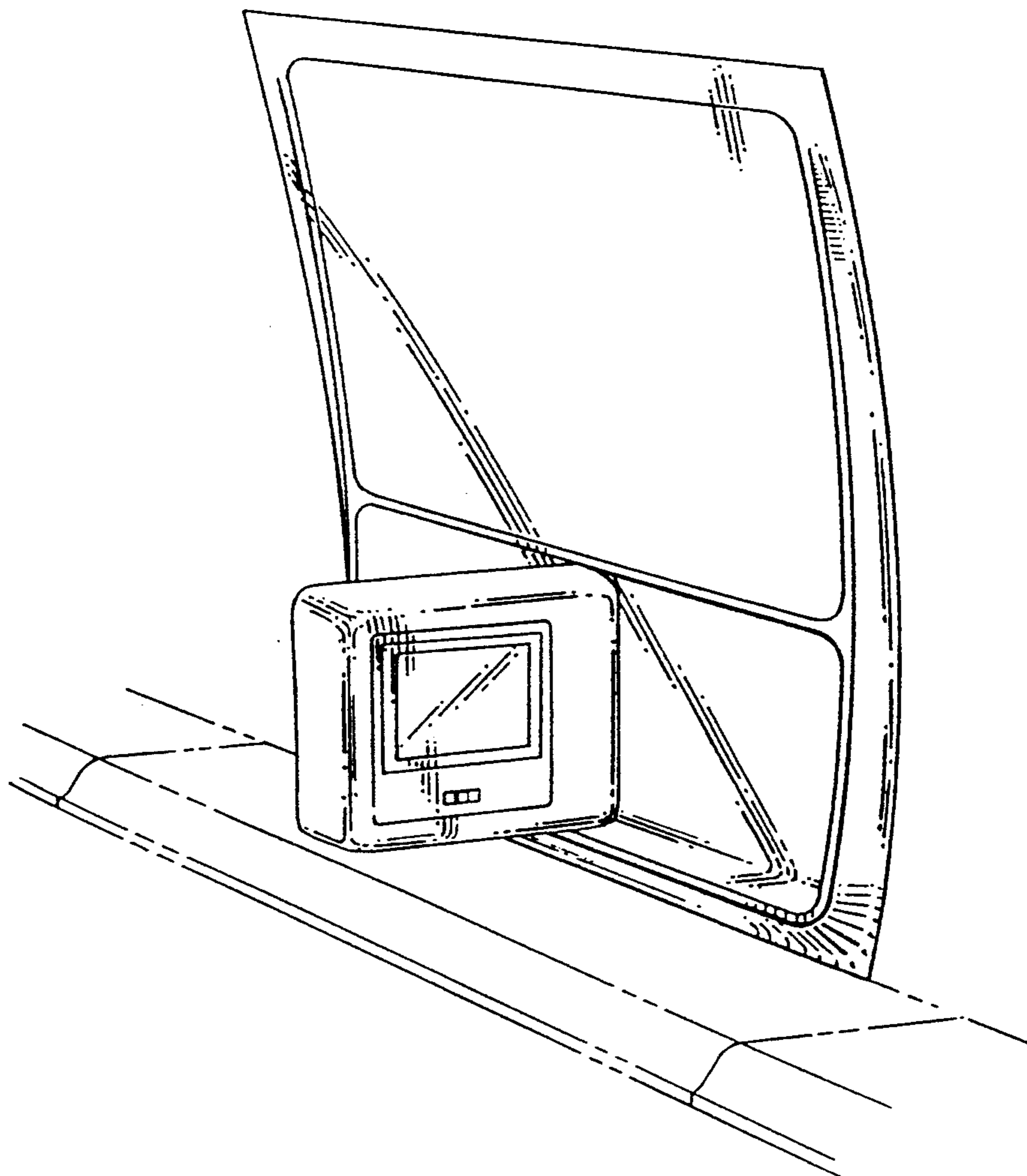
U.S. PATENT DOCUMENTS

4,739,955 4/1988 Aquino et al. **244/129.4**

FIG. 5 is a cross sectional view taken along the line of FIG. 1; and,

FIG. 6 is a side elevational view thereof.

Primary Examiner—Kay H. Chin



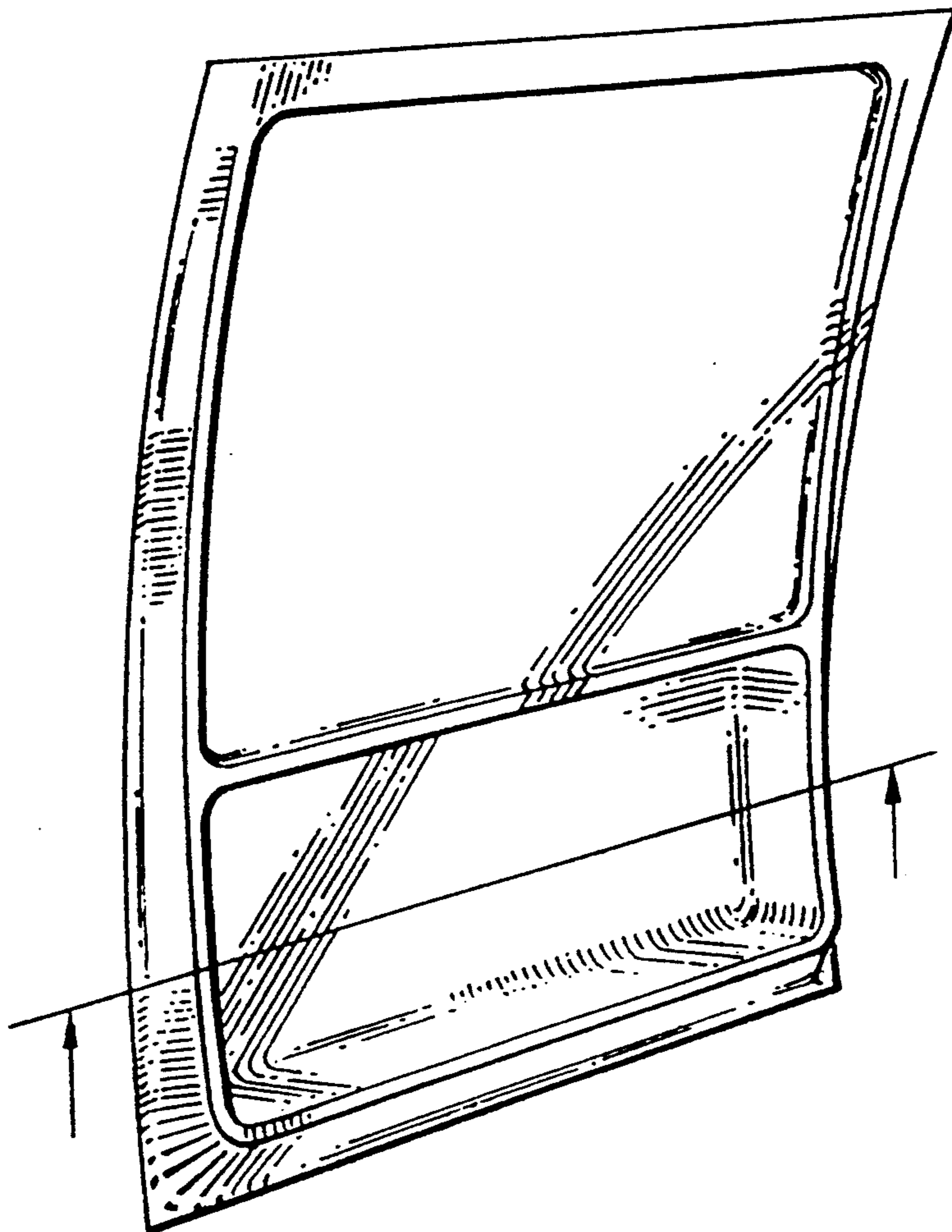


FIG. 1

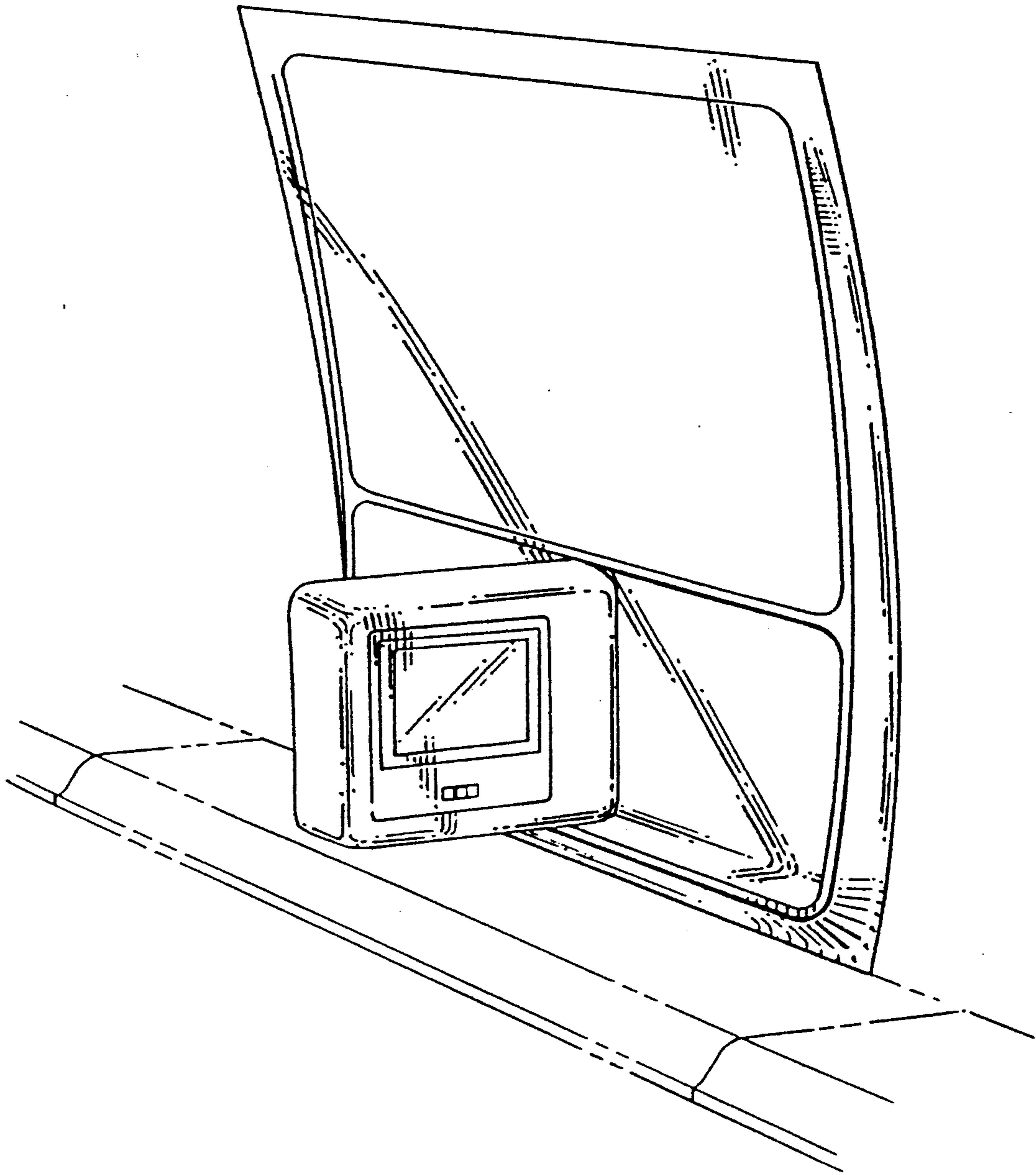


FIG. 2

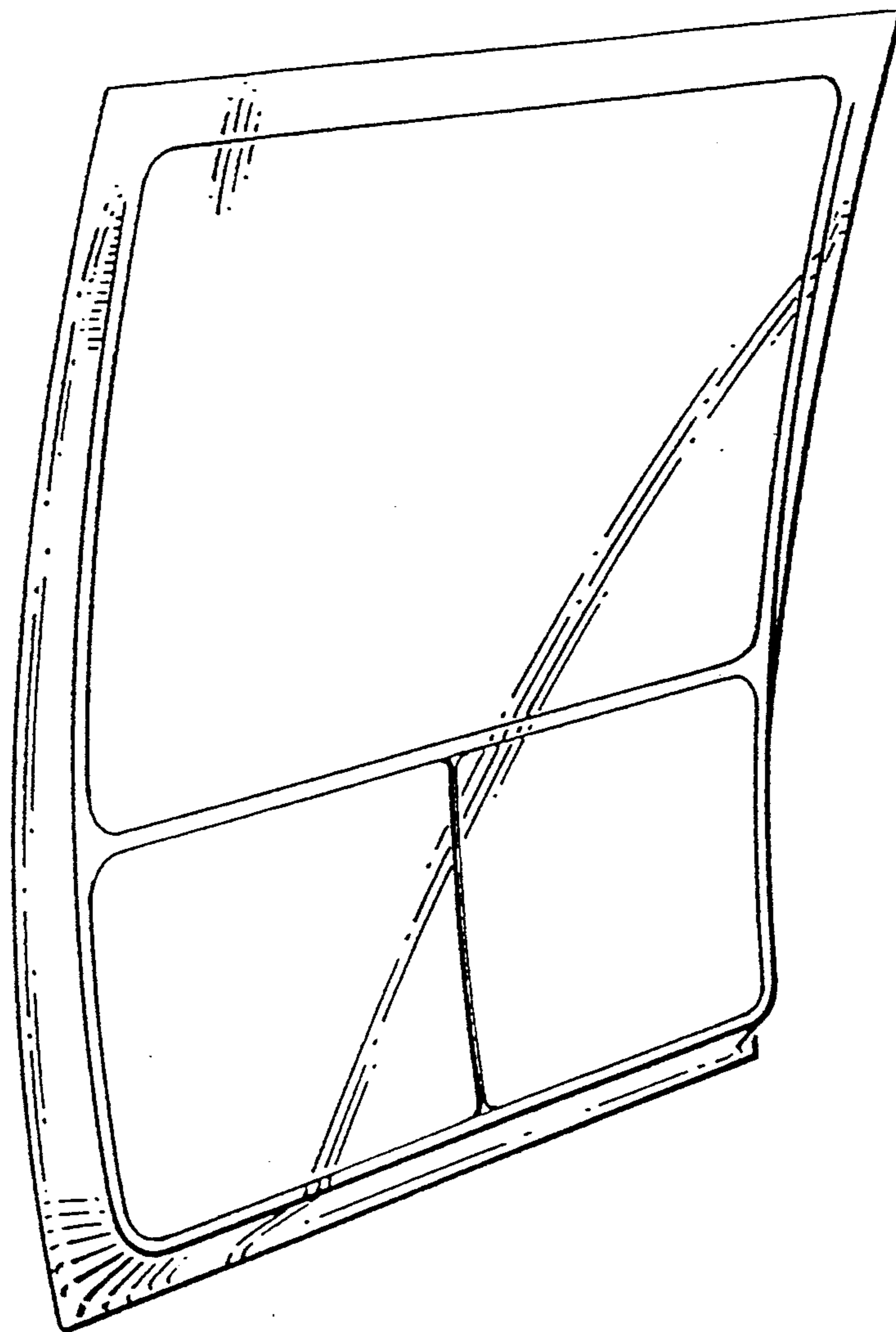


FIG.3

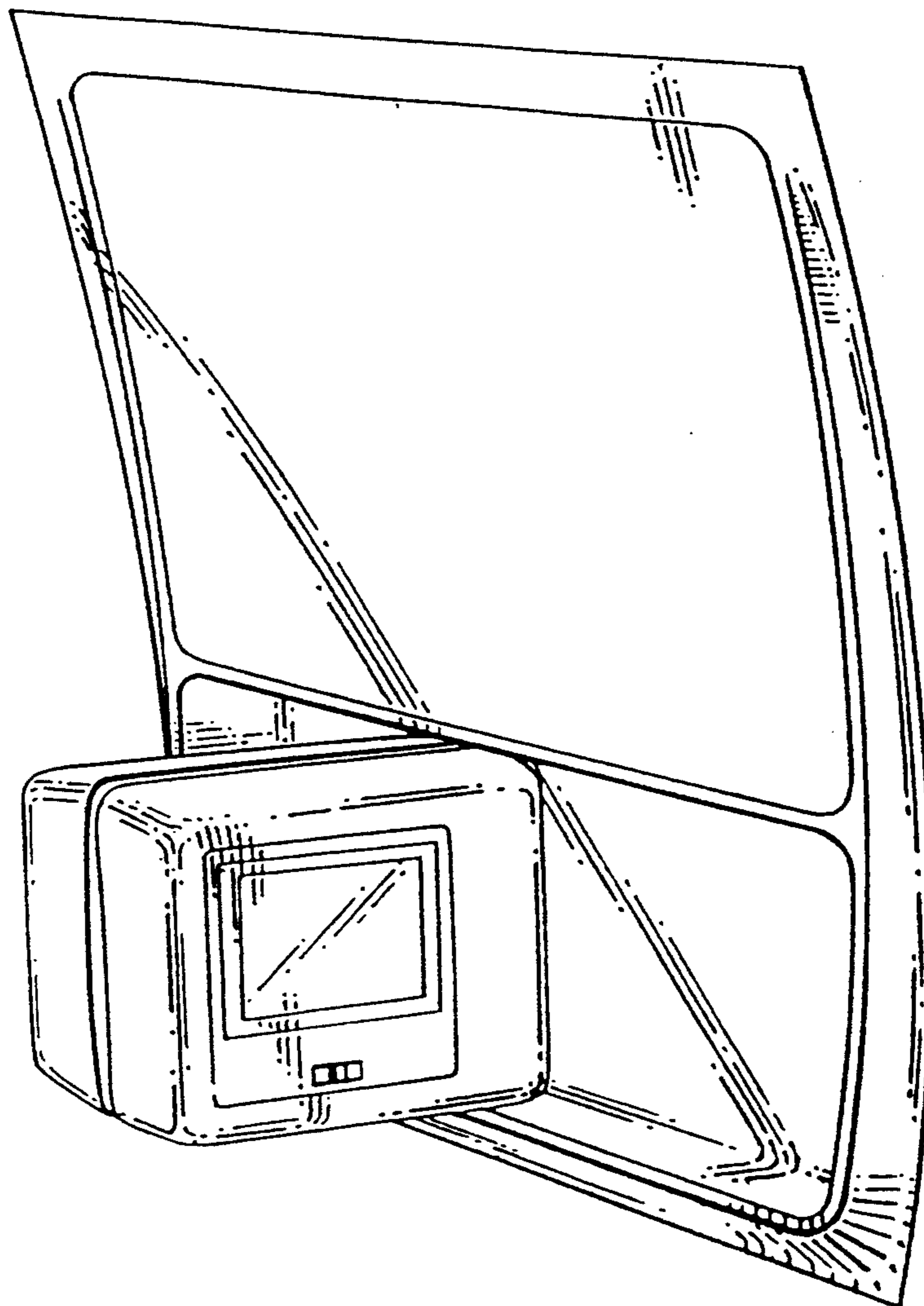


FIG. 4

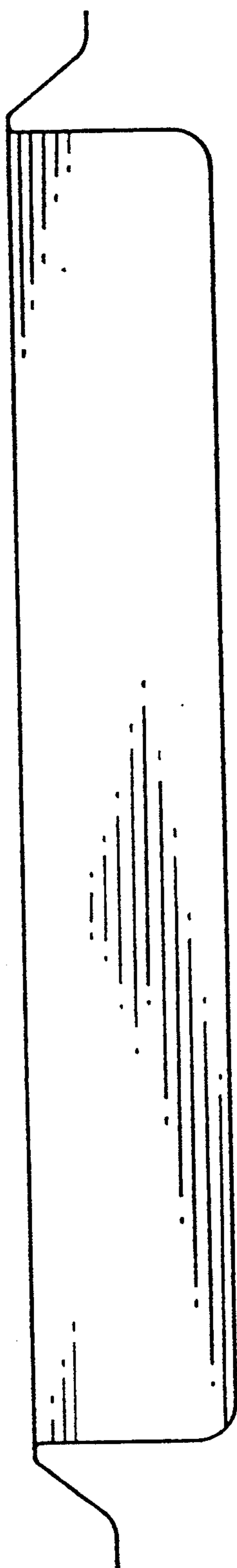


FIG. 5

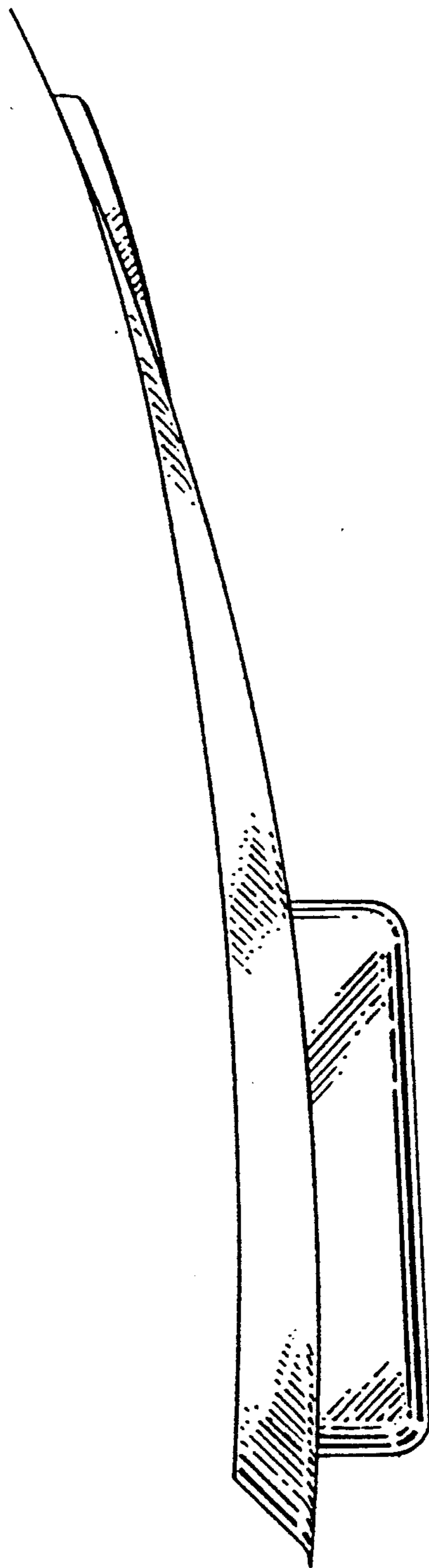


FIG. 6