



US00D344923S

# United States Patent [19]

Steinke et al.

[11] Patent Number: **Des. 344,923**

[45] Date of Patent: **\*\* Mar. 8, 1994**

## [54] DISC BRAKE SHIM

[75] Inventors: **Gustav J. Steinke; Starla D. Huffer,**  
both of Lima, Ohio

[73] Assignee: **International Brake Industries, Inc.,**  
Lima, Ohio

[\*\*] Term: **14 Years**

[21] Appl. No.: **11,125**

[22] Filed: **Jul. 27, 1993**

### Related U.S. Application Data

[62] Division of Ser. No. 798,406, Nov. 26, 1991.  
[52] U.S. Cl. .... **D12/180**  
[58] Field of Search ..... 180/73.1, 250 B;  
D12/180

## [56] References Cited

### U.S. PATENT DOCUMENTS

D. 255,232 6/1980 Rinker et al. .... D12/180  
D. 337,296 7/1993 Steinke et al. .... D12/180  
4,220,223 9/1980 Rinker et al. .... 188/73.1  
4,230,207 10/1980 Stahl ..... 188/73.1  
4,836,339 6/1989 Kobayashi et al. .... 188/73.1

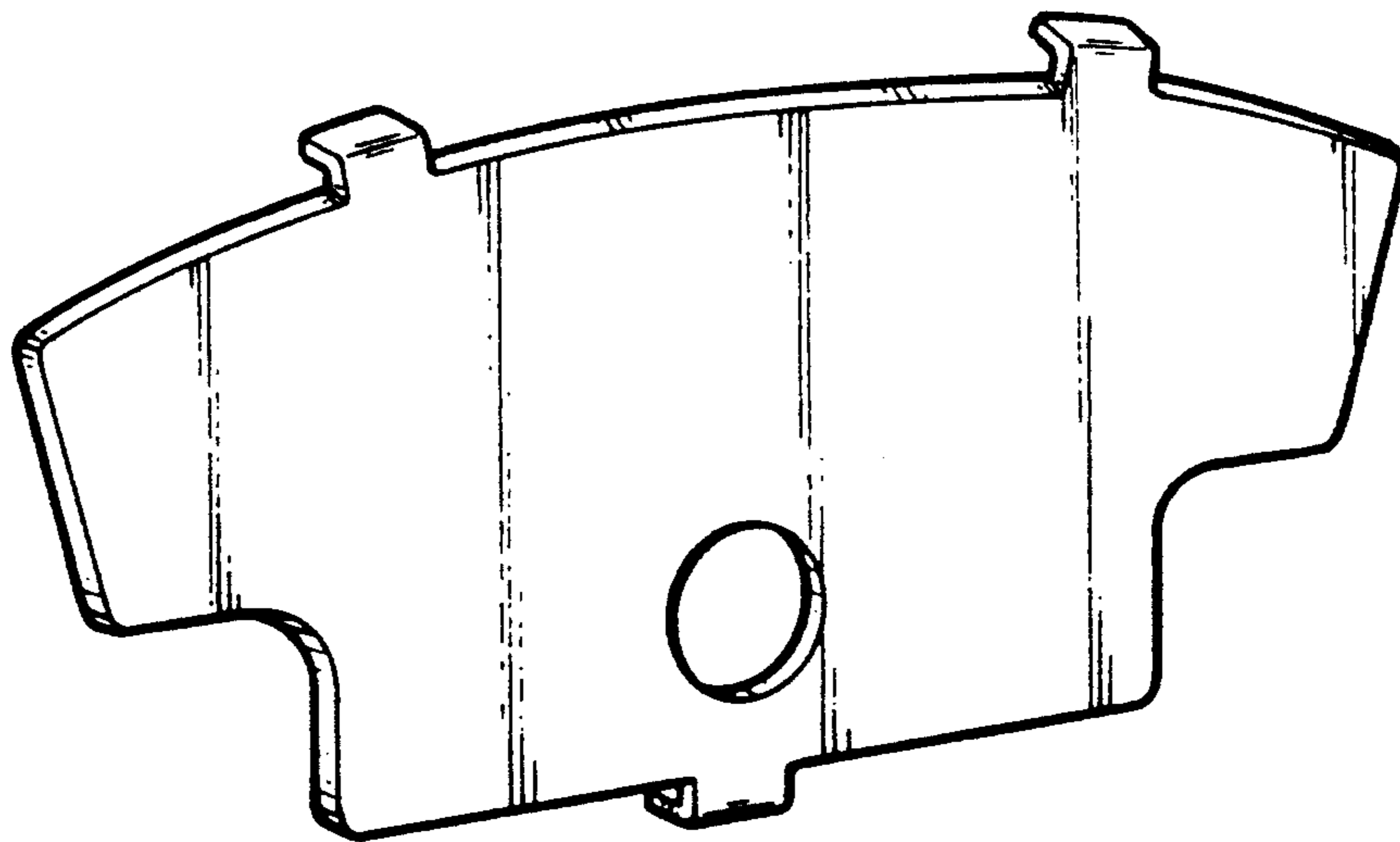
*Primary Examiner*—Wallace R. Burke  
*Assistant Examiner*—Melody Brown  
*Attorney, Agent, or Firm*—Edgar A. Zarins; Malcolm L. Sutherland

## [57] CLAIM

The ornamental design for a disc brake shim, as shown.

### DESCRIPTION

FIG. 1 is a perspective view of a disc brake shim showing our new design;  
FIG. 2 is a right side view thereof;  
FIG. 3 is a front elevational view thereof;  
FIG. 4 is a left side elevational view thereof;  
FIG. 5 is a rear elevational view thereof;  
FIG. 6 is a bottom plan view thereof; and,  
FIG. 7 is a top plan view thereof.



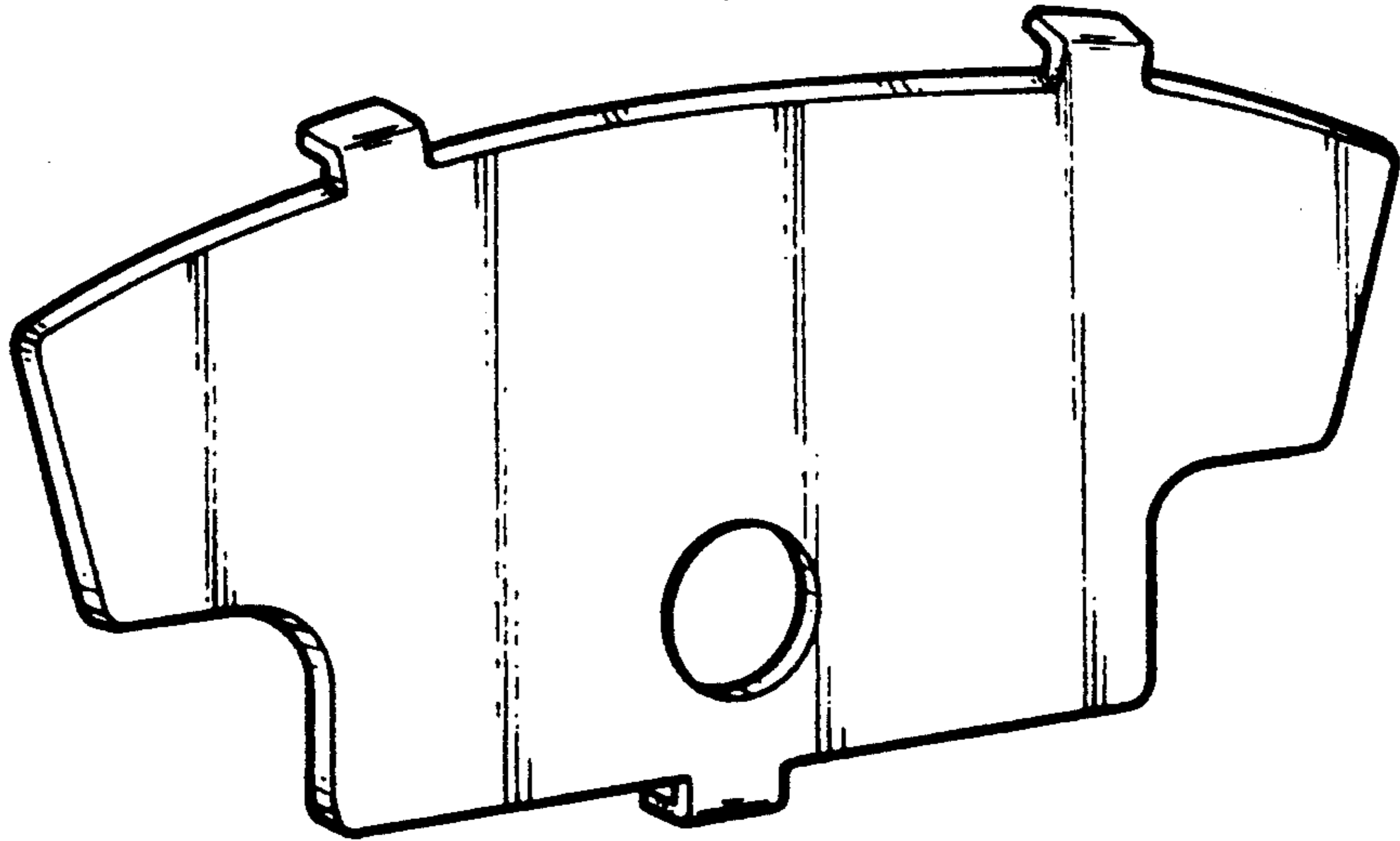


Fig-1

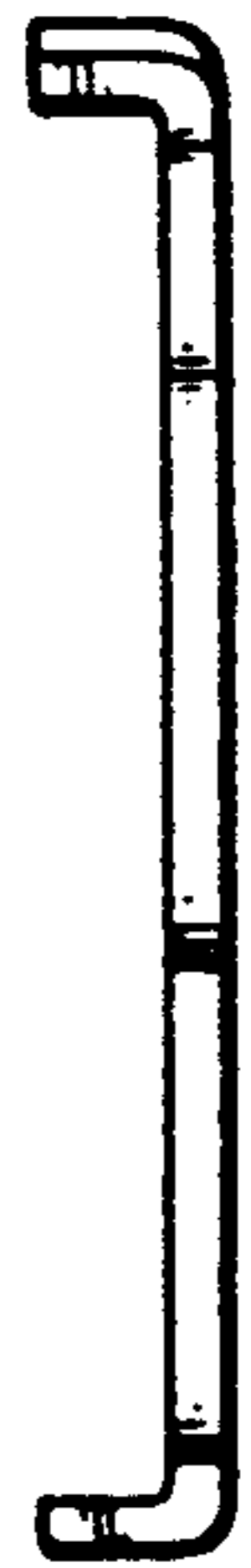


Fig-2

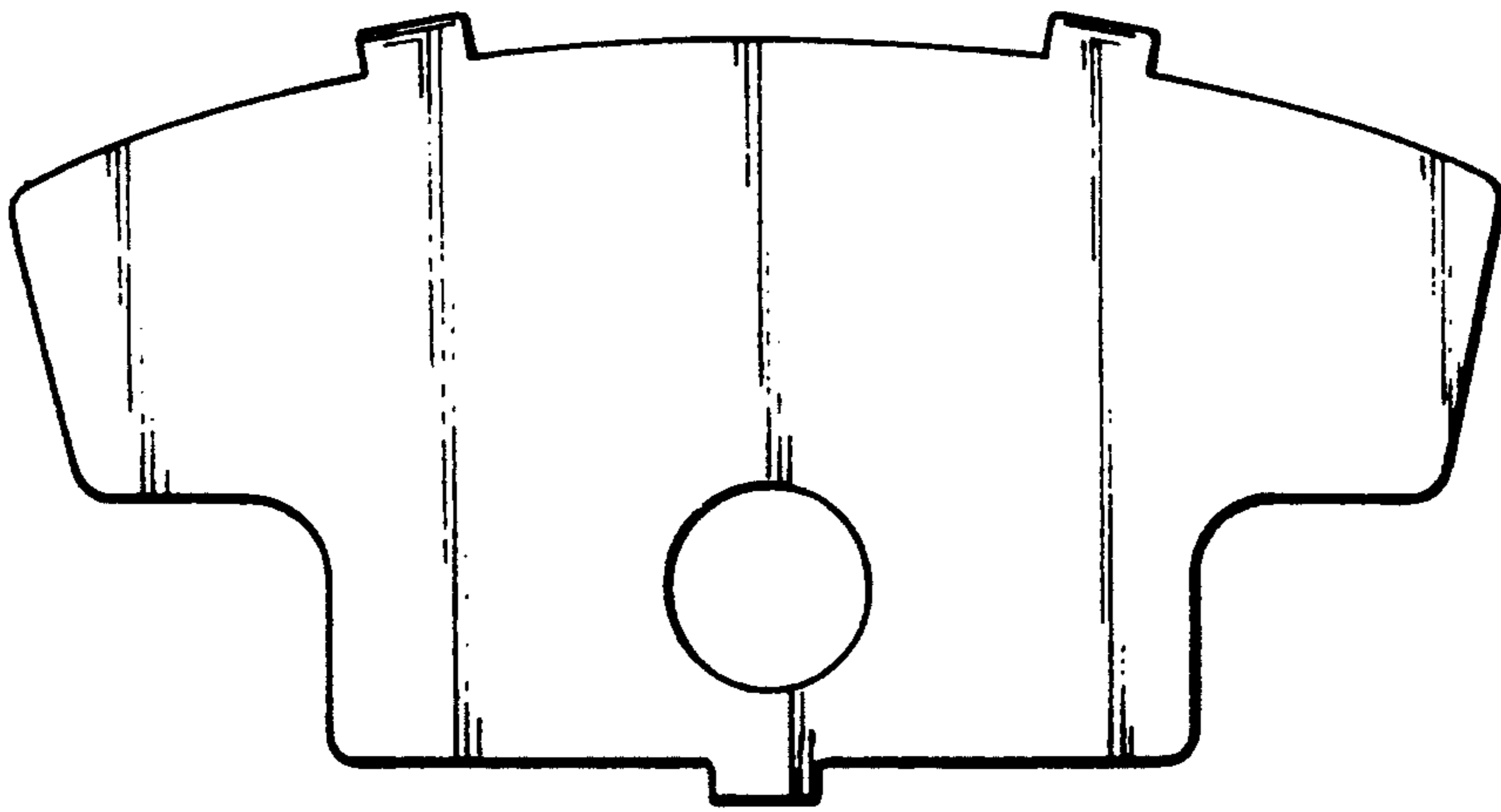


Fig-3



Fig-4

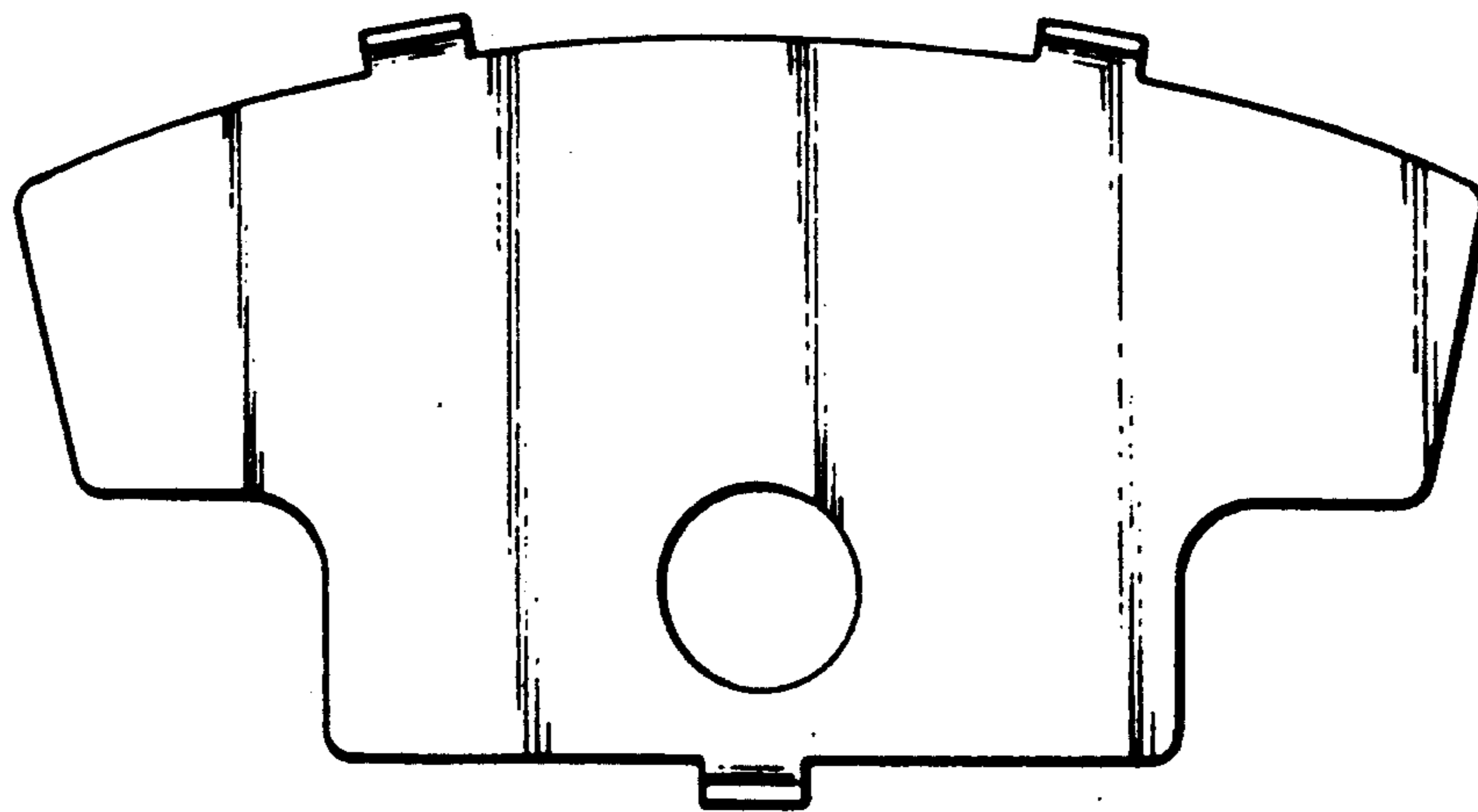


Fig-5



Fig-6



Fig-7