



US00D344922S

# United States Patent [19]

[11] Patent Number: **Des. 344,922**

Steinke et al.

[45] Date of Patent: **\*\* Mar. 8, 1994**

[54] **DISC BRAKE SHIM**

[56] **References Cited**

[75] Inventors: **Gustav J. Steinke; Starla D. Huffer,**  
both of Lima, Ohio

<b>U.S. PATENT DOCUMENTS</b>			
D. 255,232	6/1980	Rioker et al. ....	D12/180
D. 337,296	7/1993	Steinke et al. ....	D12/180
4,220,223	9/1980	Rioker et al. ....	188/73.1
4,230,207	10/1980	Stahl .....	188/73.1
4,836,339	6/1989	Kobayashi et al. ....	188/73.1

[73] Assignee: **International Brake Industries, Inc.,**  
Lima, Ohio

*Primary Examiner*—Wallace R. Burke  
*Assistant Examiner*—Melody Brown  
*Attorney, Agent, or Firm*—Edgar A. Zarins; Malcolm L. Sutherland

[\*\*] Term: **14 Years**

[57] **CLAIM**

[21] Appl. No.: **11,123**

The ornamental design for a disc brake shim, as shown.

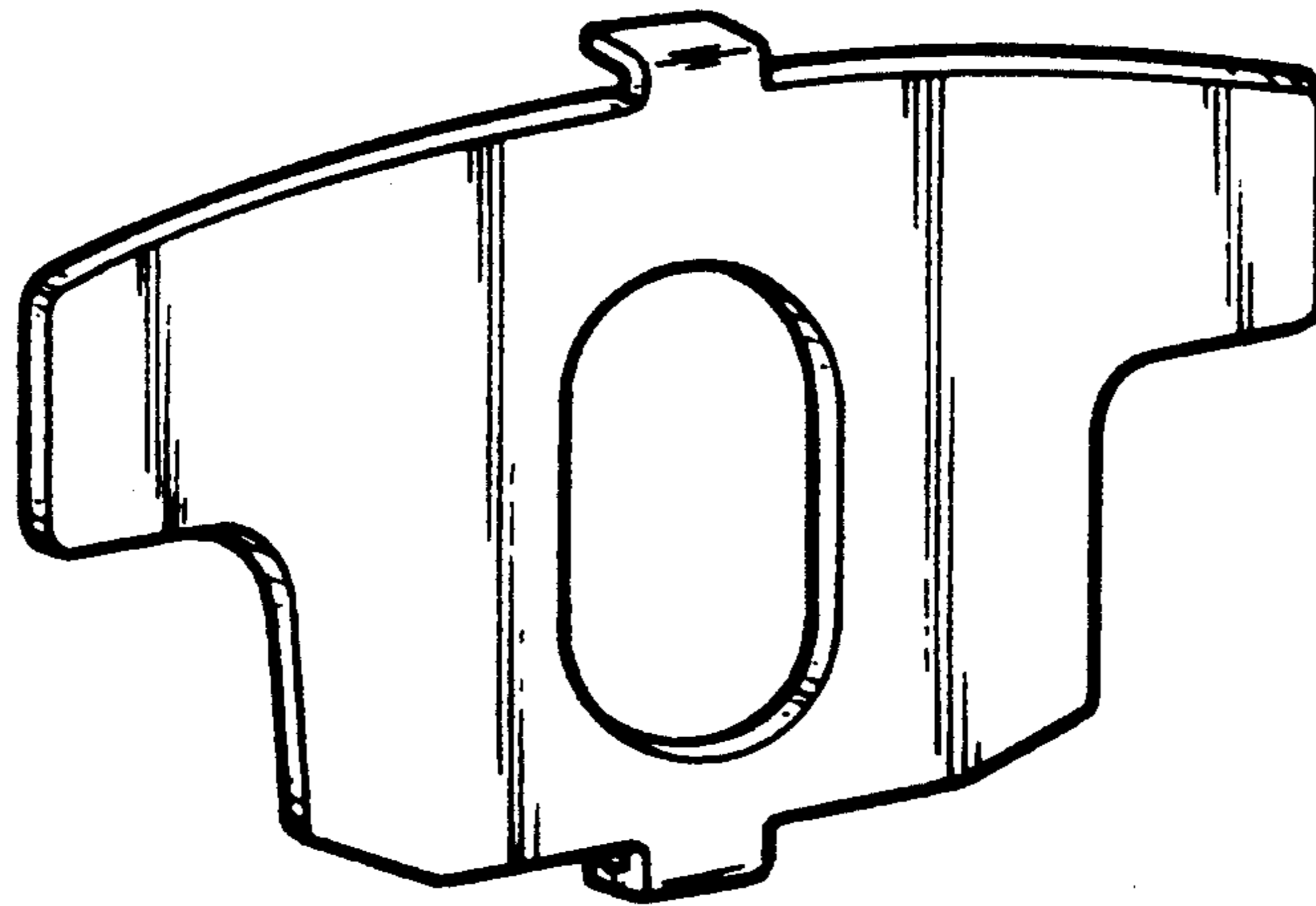
[22] Filed: **Jul. 27, 1993**

**DESCRIPTION**

### Related U.S. Application Data

[62] Division of Ser. No. 798,406, Nov. 26, 1991.  
[52] U.S. Cl. .... **D12/180**  
[58] Field of Search ..... 188/73.1, 250 B;  
D12/180

FIG. 1 is a perspective view of a disc brake shim showing our new design;  
FIG. 2 is a left side view thereof;  
FIG. 3 is a front elevational view thereof;  
FIG. 4 is a left side elevational view thereof;  
FIG. 5 is a rear elevational view thereof;  
FIG. 6 is a top plan view thereof; and,  
FIG. 7 is a bottom plan view thereof.



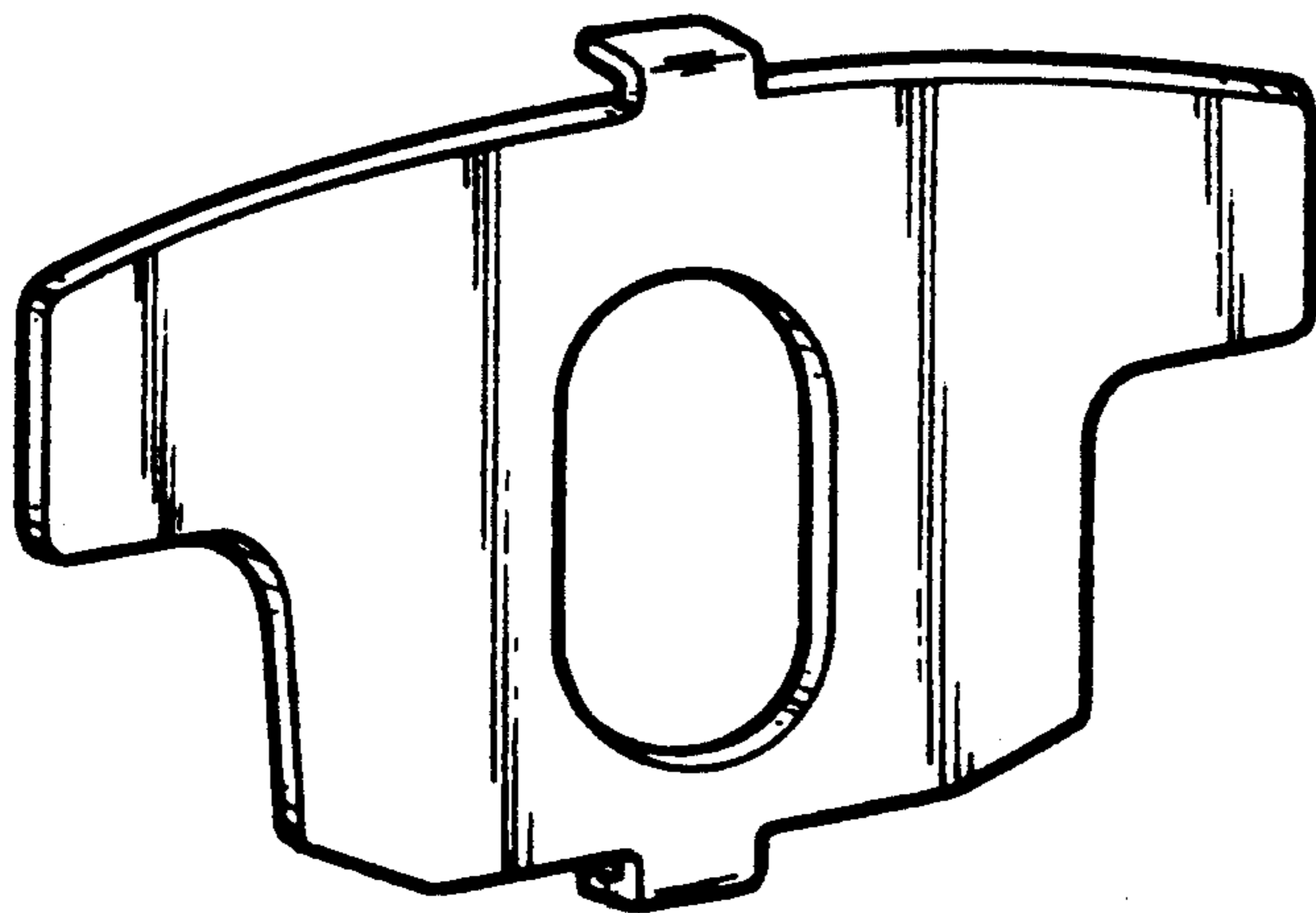


Fig-1



Fig-2

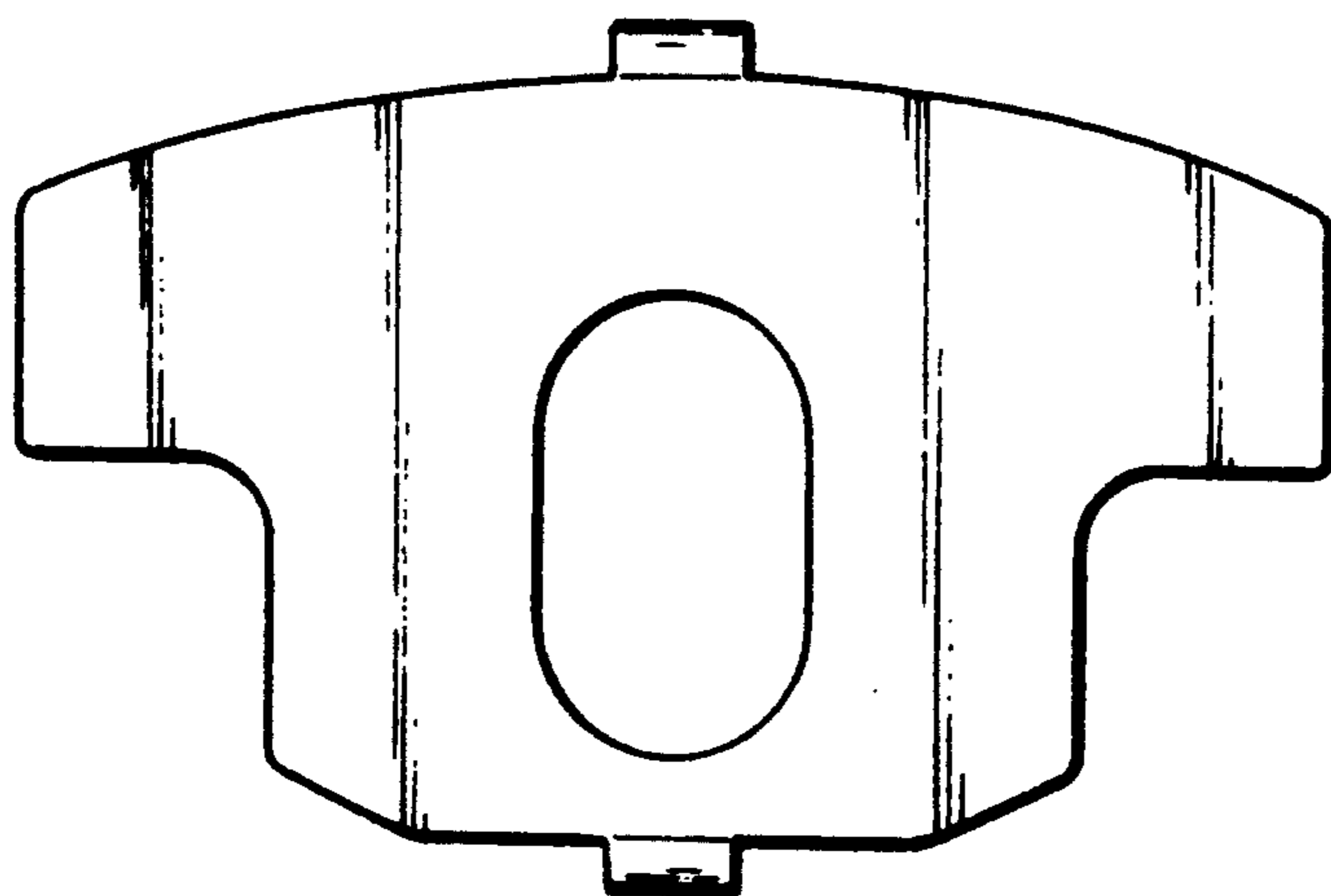


Fig-3



Fig-4

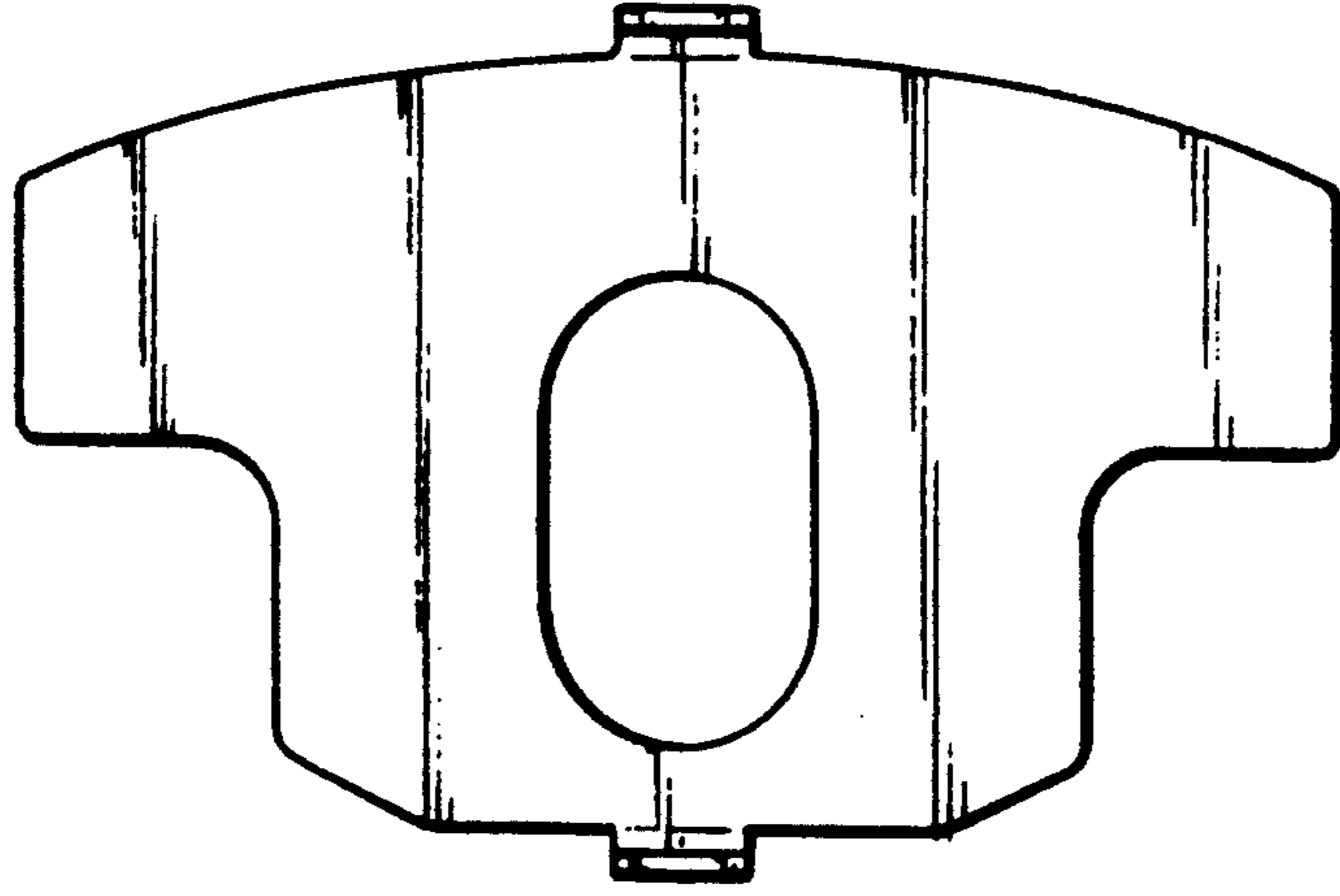


Fig-5



Fig-6



Fig-7