



US00D344921S

United States Patent [19]

[11] Patent Number: **Des. 344,921**

Steinke et al.

[45] Date of Patent: **** Mar. 8, 1994**

[54] **DISC BRAKE SHIM**

[56] **References Cited**

[75] Inventors: **Gustav J. Steinke; Starla D. Huffer,**
both of Lima, Ohio

U.S. PATENT DOCUMENTS

D. 255,232	6/1980	Rinker et al.	D12/180
D. 337,296	7/1993	Steinke et al.	D12/180
4,220,223	9/1980	Rinker et al.	188/73.1
4,230,207	10/1980	Stahl	188/73.1
4,836,339	6/1989	Kobayashi et al.	188/73.1

[73] Assignee: **International Brake Industries, Inc.,**
Lima, Ohio

Primary Examiner—Wallace R. Burke
Assistant Examiner—Melody Brown
Attorney, Agent, or Firm—Edgar A. Zarins; Malcolm L. Sutherland

[**] Term: **14 Years**

[57] **CLAIM**

[21] Appl. No.: **11,124**

The ornamental design for a disc brake shim, as shown.

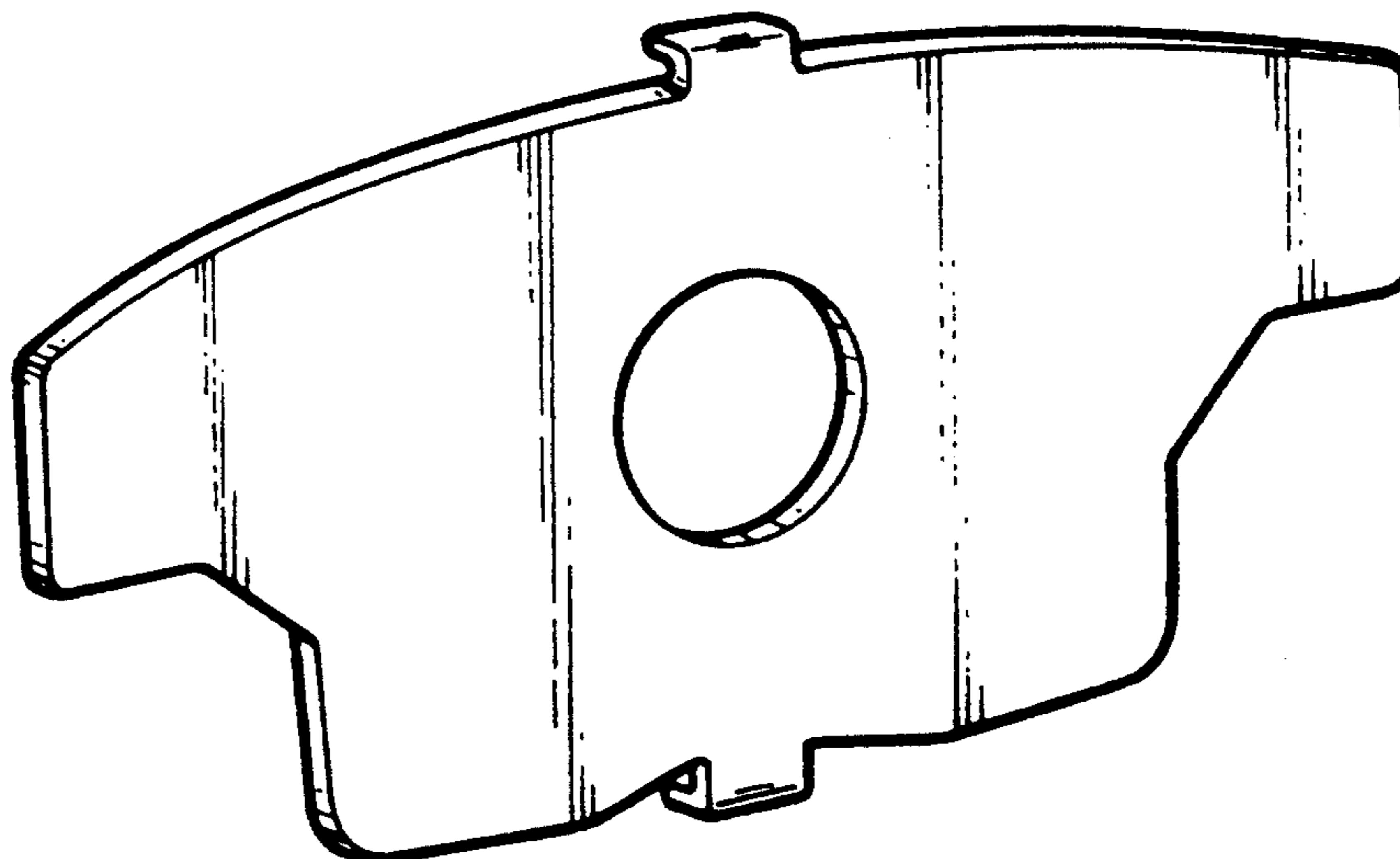
[22] Filed: **Jul. 27, 1993**

DESCRIPTION

Related U.S. Application Data

[62] Division of Ser. No. 798,406, Nov. 26, 1991.
[52] U.S. Cl. **D12/180**
[58] Field of Search 188/73.1, 250 B;
D12/180

FIG. 1 is a perspective view of a disc brake shim showing our new design;
FIG. 2 is a right side view thereof;
FIG. 3 is a front elevational view thereof;
FIG. 4 is a left side elevational view thereof;
FIG. 5 is a rear elevational view thereof;
FIG. 6 is a bottom plan view thereof; and,
FIG. 7 is a top plan view thereof.



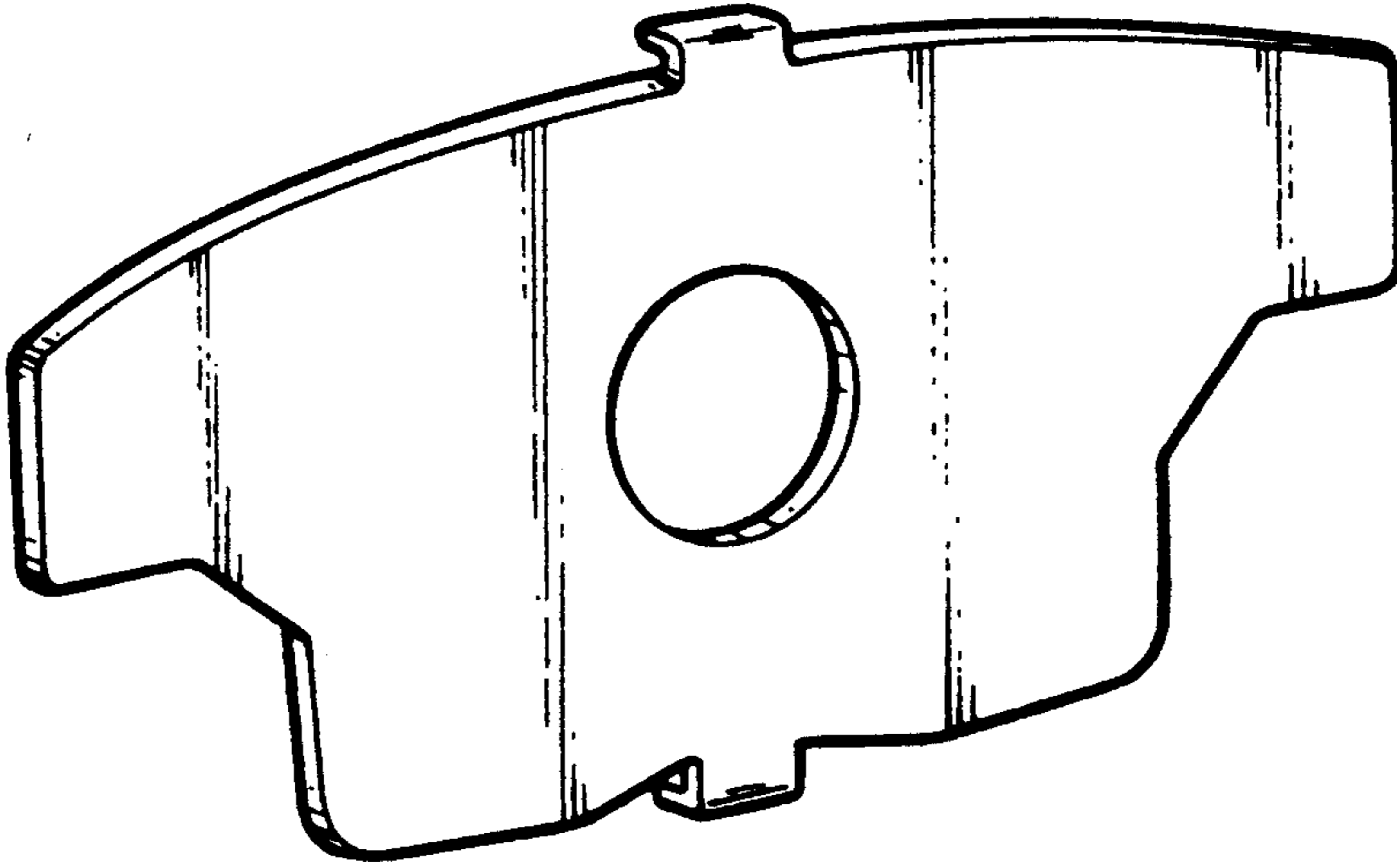


Fig-1



Fig-2

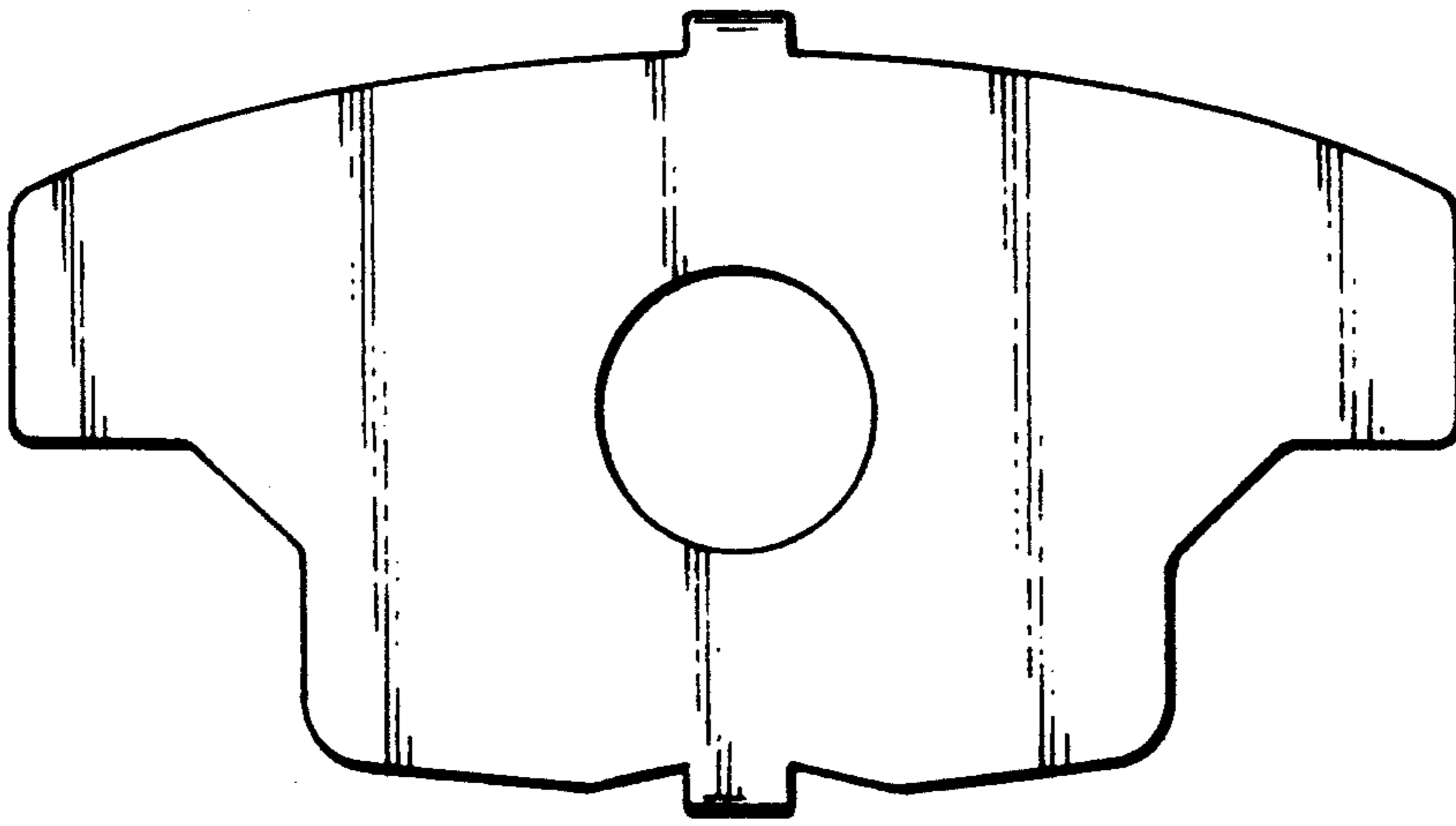


Fig-3



Fig-4

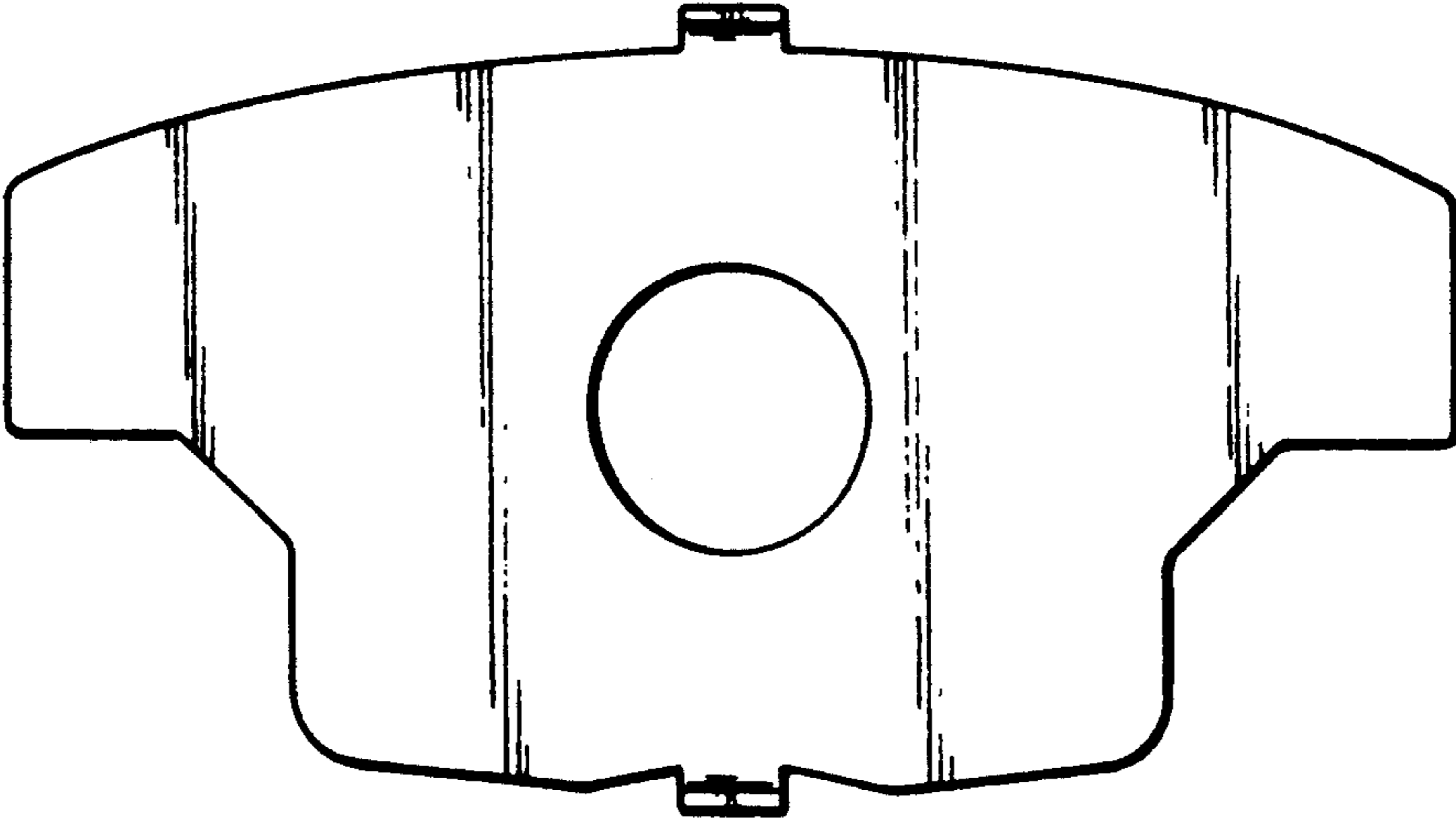


Fig-5



Fig-6



Fig-7