



US00D344917S

# United States Patent [19]

Kjell et al.

[11] Patent Number: **Des. 344,917**

[45] Date of Patent: **\*\* Mar. 8, 1994**

[54] **ROLLING WALKER**

5,224,717 7/1993 Lowen ..... 135/67

[75] Inventors: **Sven I. Kjell, Nygatanis; Anders Ahlbertz, Gotenburg; Kjell Henrikson, Bredaryd, all of Sweden**

[73] Assignee: **Dolomite Svenska AB, Sweden**

[\*\*] Term: **14 Years**

[21] Appl. No.: **931,540**

[22] Filed: **Aug. 20, 1992**

[52] U.S. Cl. .... **D12/130; D12/128**

[58] Field of Search ..... **135/67; 297/5; 280/87.05; D12/130, 128, 133**

[56] **References Cited**

**U.S. PATENT DOCUMENTS**

- D. 329,833 9/1992 Andersson et al. .... D12/130
- 5,020,560 6/1991 Turberville ..... 135/67
- 5,172,715 12/1992 Webb ..... 135/67

**OTHER PUBLICATIONS**

Dolomite 1992 Product Catalog.

*Primary Examiner*—Kay H. Chin

*Attorney, Agent, or Firm*—Hill, Steadman & Simpson

[57] **CLAIM**

The ornamental design for a rolling walker, as shown and described.

**DESCRIPTION**

FIG. 1 is a perspective view of a rolling walker;  
 FIG. 2 is a side elevational view, the opposite side view being a mirror image;  
 FIG. 3 is a front elevational view;  
 FIG. 4 is a plan view;  
 FIG. 5 is a rear elevational view; and,  
 FIG. 6 is a side perspective of the walker in a folded, collapsed position.

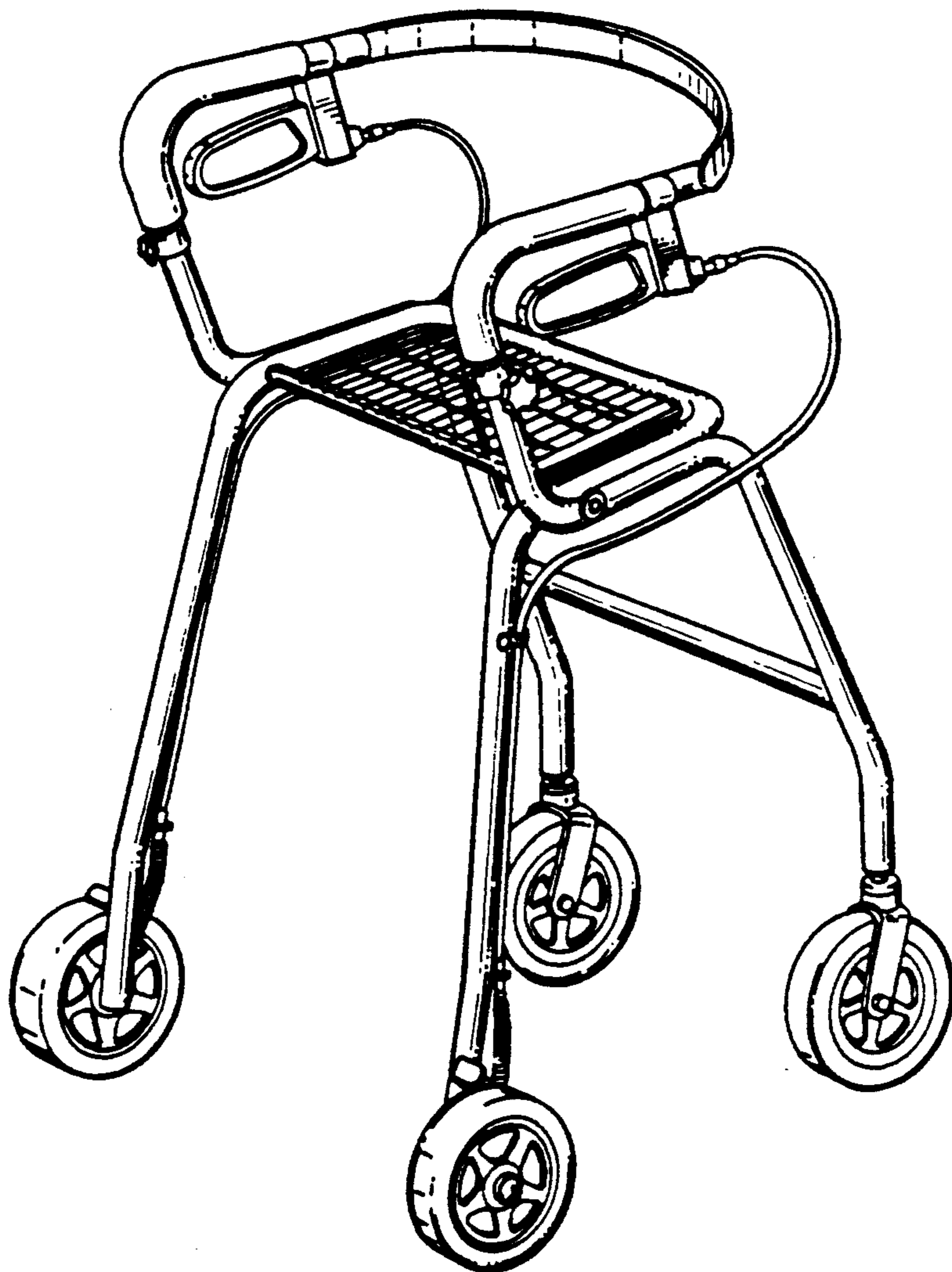
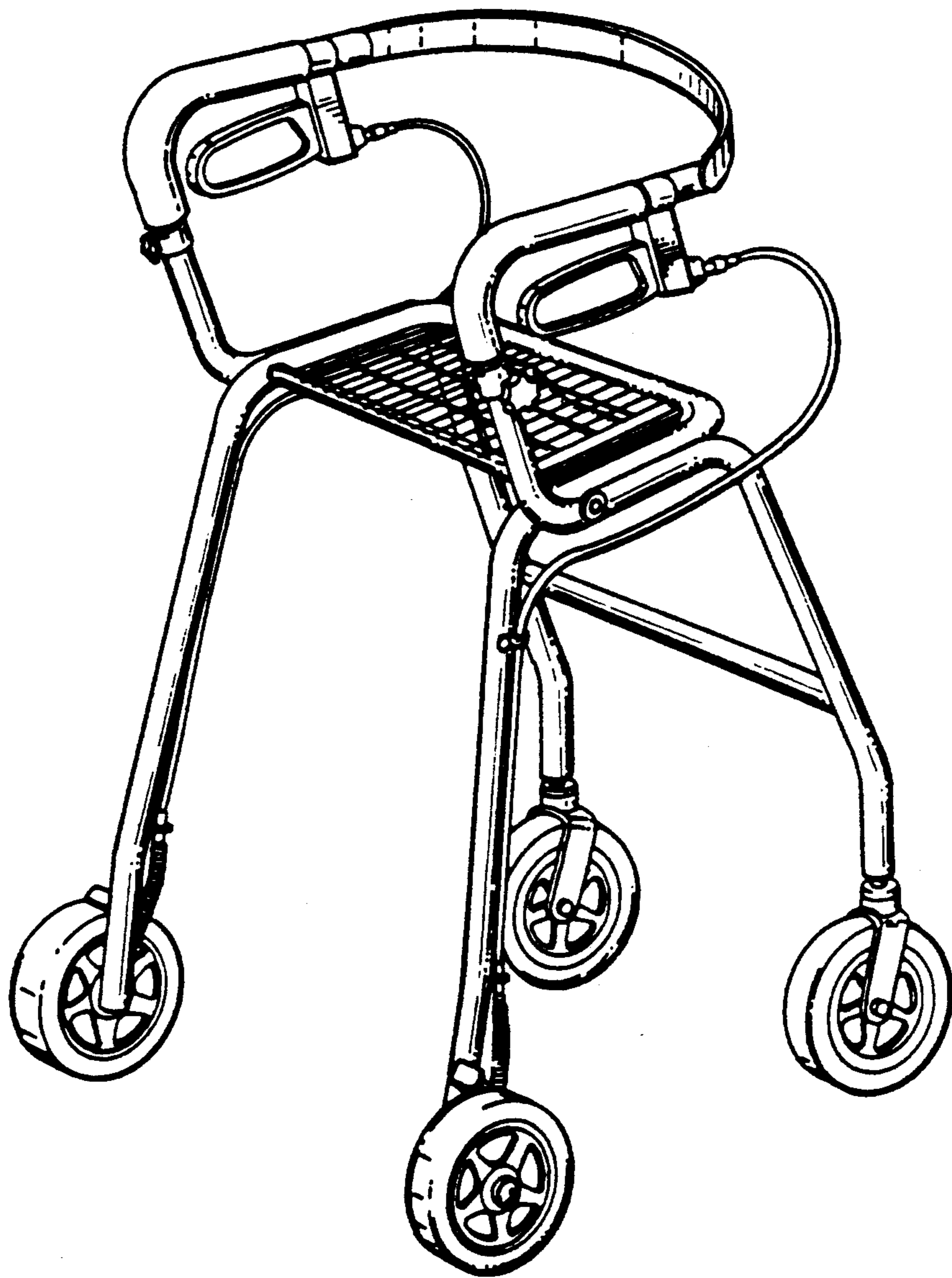


FIG. 1.



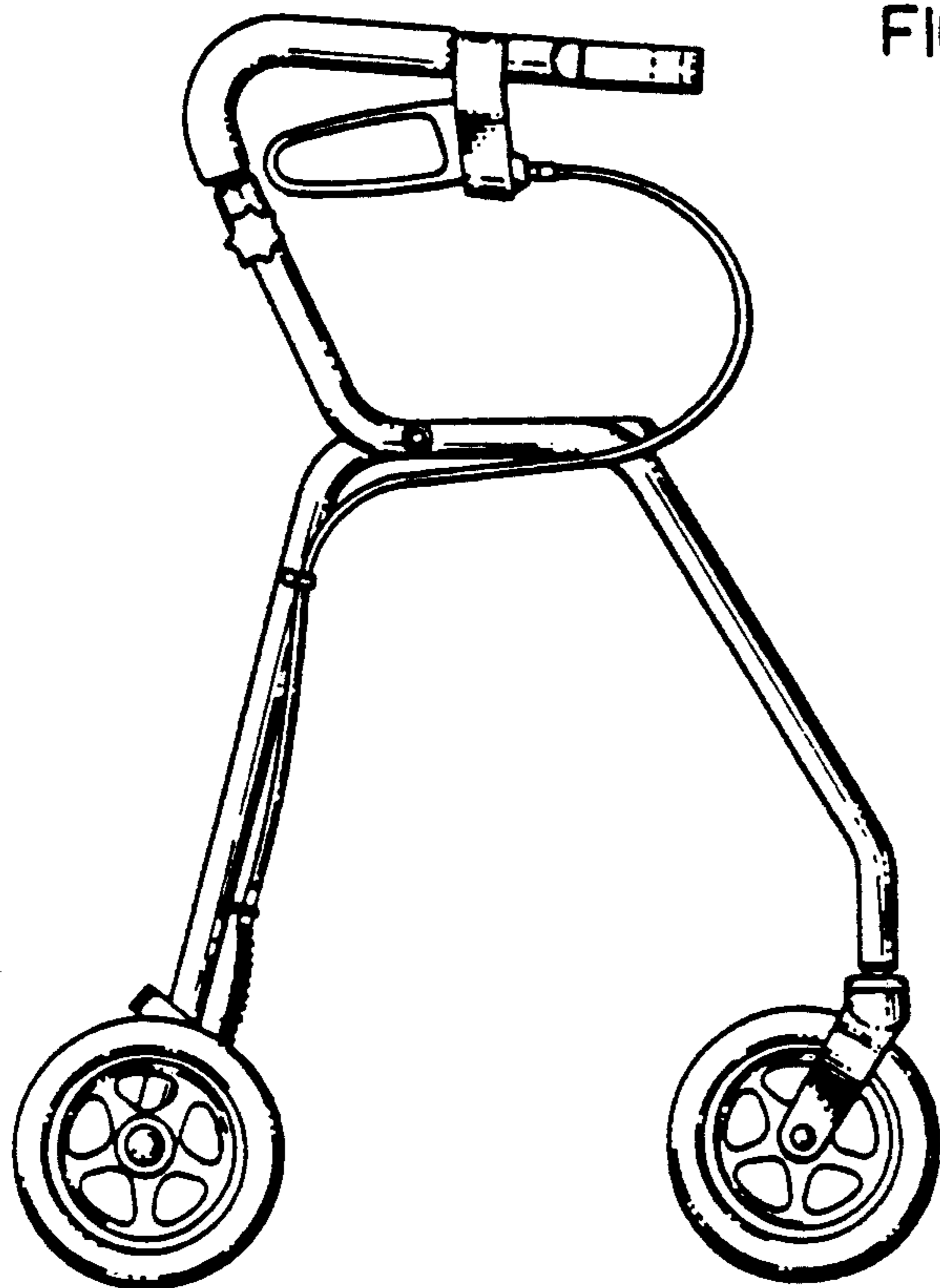


FIG. 2.

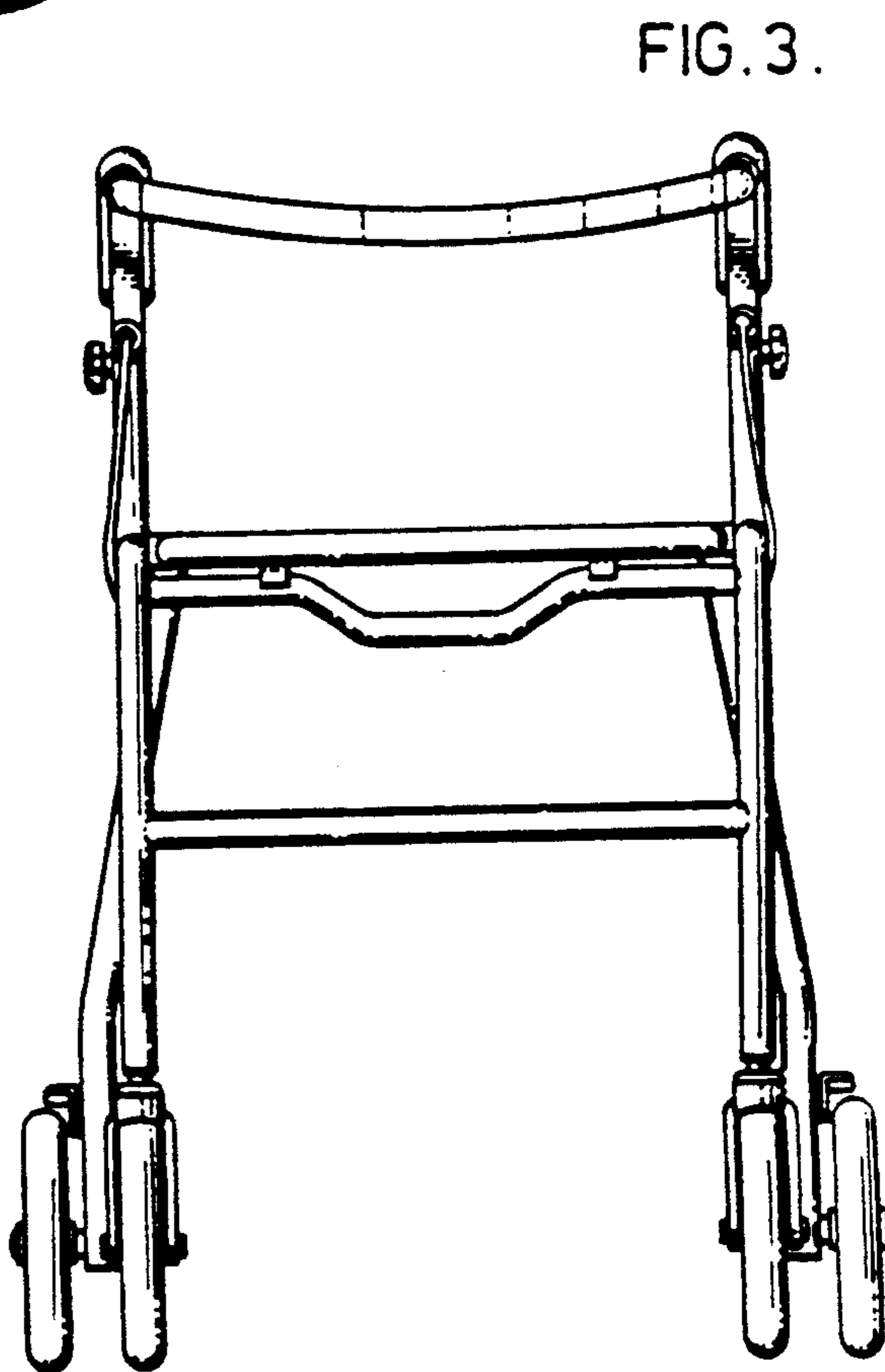


FIG. 3.

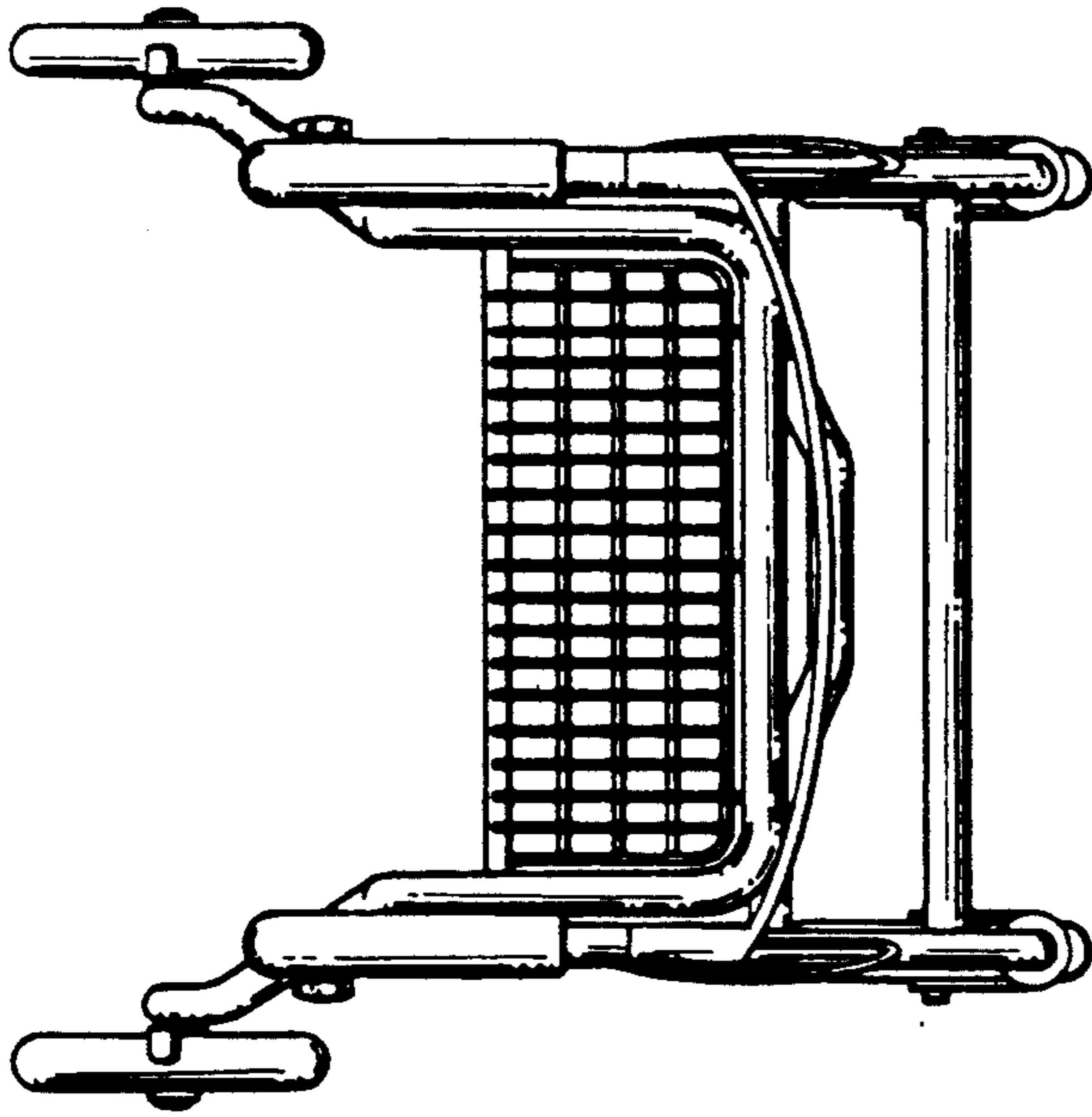


FIG. 4.

FIG. 5.

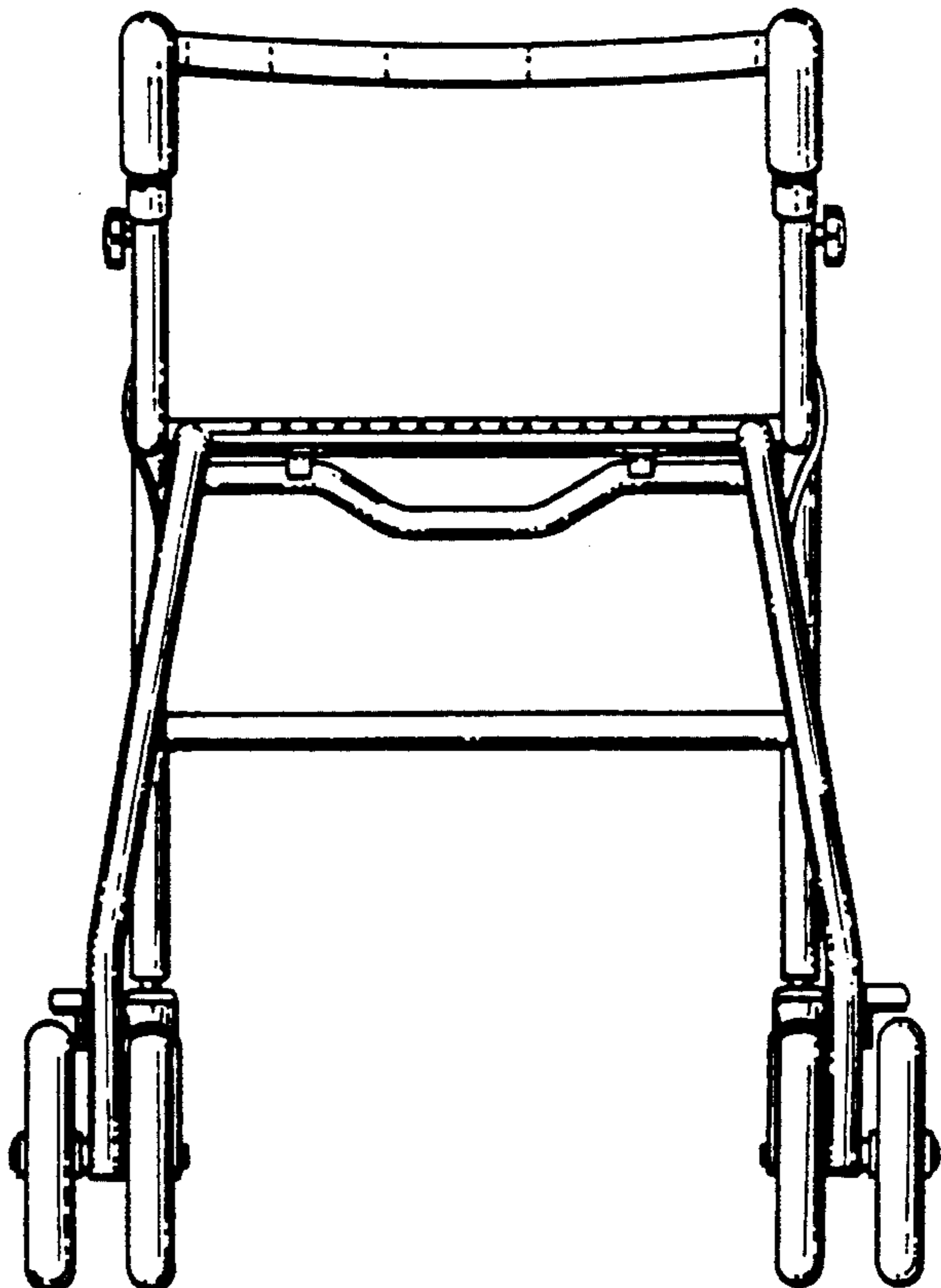


FIG. 6.

