



US00D344914S

# United States Patent [19]

[11] Patent Number: **Des. 344,914**

McNutt

[45] Date of Patent: **\*\* Mar. 8, 1994**

[54] **THREE WHEEL MOTORCYCLE**

[76] Inventor: **Paul A. McNutt, 2307 E. Claire Dr., Phoenix, Ariz. 85022**

[\*\*] Term: **14 Years**

[21] Appl. No.: **789,158**

[22] Filed: **Nov. 6, 1991**

[52] U.S. Cl. .... **D12/110**

[58] Field of Search ..... **280/215, 210, 211; D12/110, 107**

3,223,045 2/1972 Stull ..... **D12/110**  
 3,776,353 12/1973 Roth ..... **180/215**  
 4,006,916 2/1977 Patin ..... **180/215**

*Primary Examiner*—Wallace R. Burke  
*Assistant Examiner*—M. Brown  
*Attorney, Agent, or Firm*—James F. Duffy

### [57] CLAIM

The ornamental design for a three wheel motorcycle, as shown.

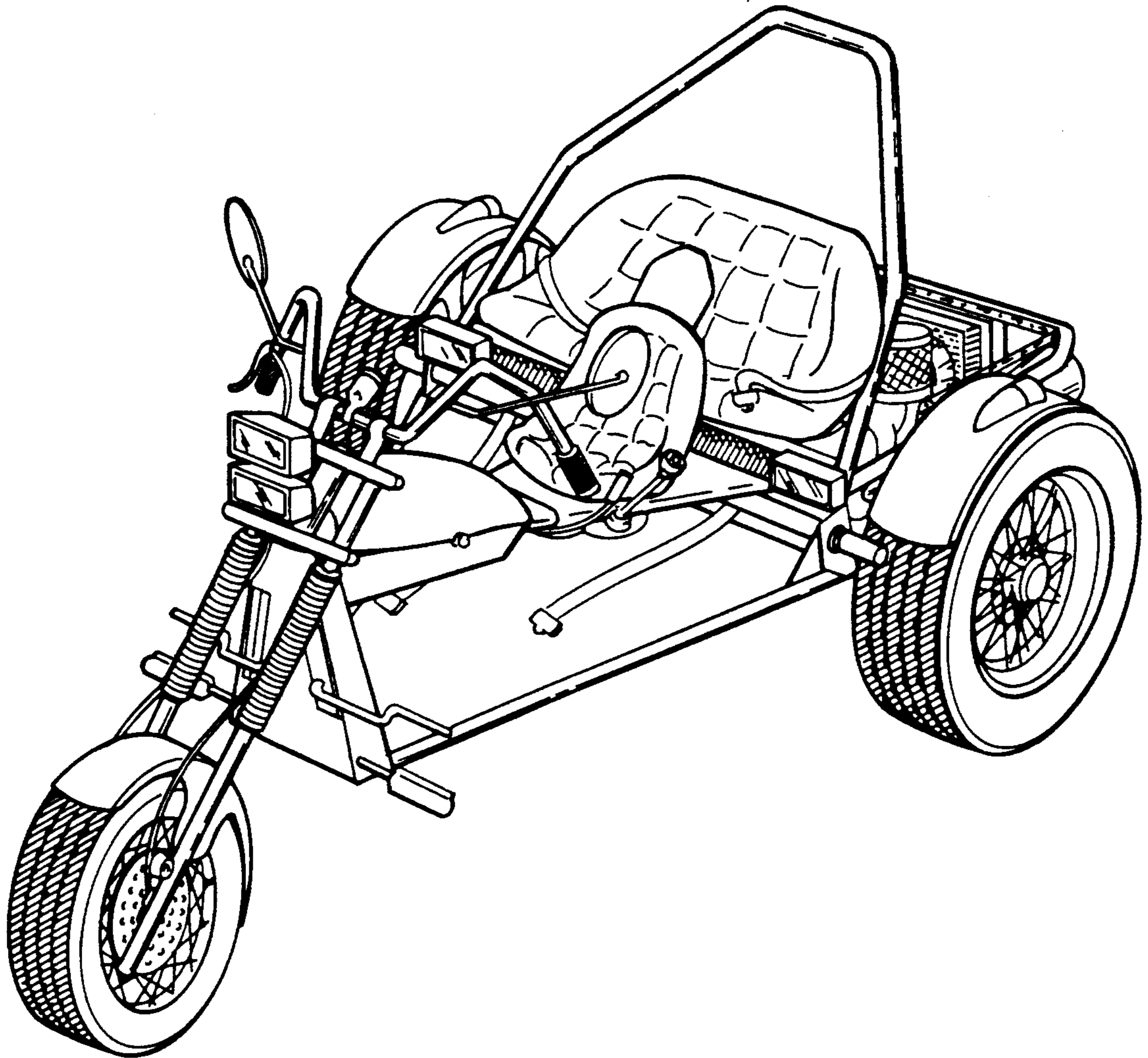
### DESCRIPTION

FIG. 1 is a perspective view of a three wheel motorcycle showing my new design;  
 FIG. 2 is a right side elevational view thereof;  
 FIG. 3 is a front elevational view thereof;  
 FIG. 4 is a rear elevational view thereof; and,  
 FIG. 5 is a top plan view of the design.

[56] **References Cited**

**U.S. PATENT DOCUMENTS**

D. 246,776 12/1977 Moore ..... **D12/110**  
 D. 255,111 5/1980 Palmer ..... **D12/110**  
 D. 279,913 7/1985 Matsushiro ..... **D12/110**  
 D. 297,223 8/1988 Oono et al. .... **D12/110**



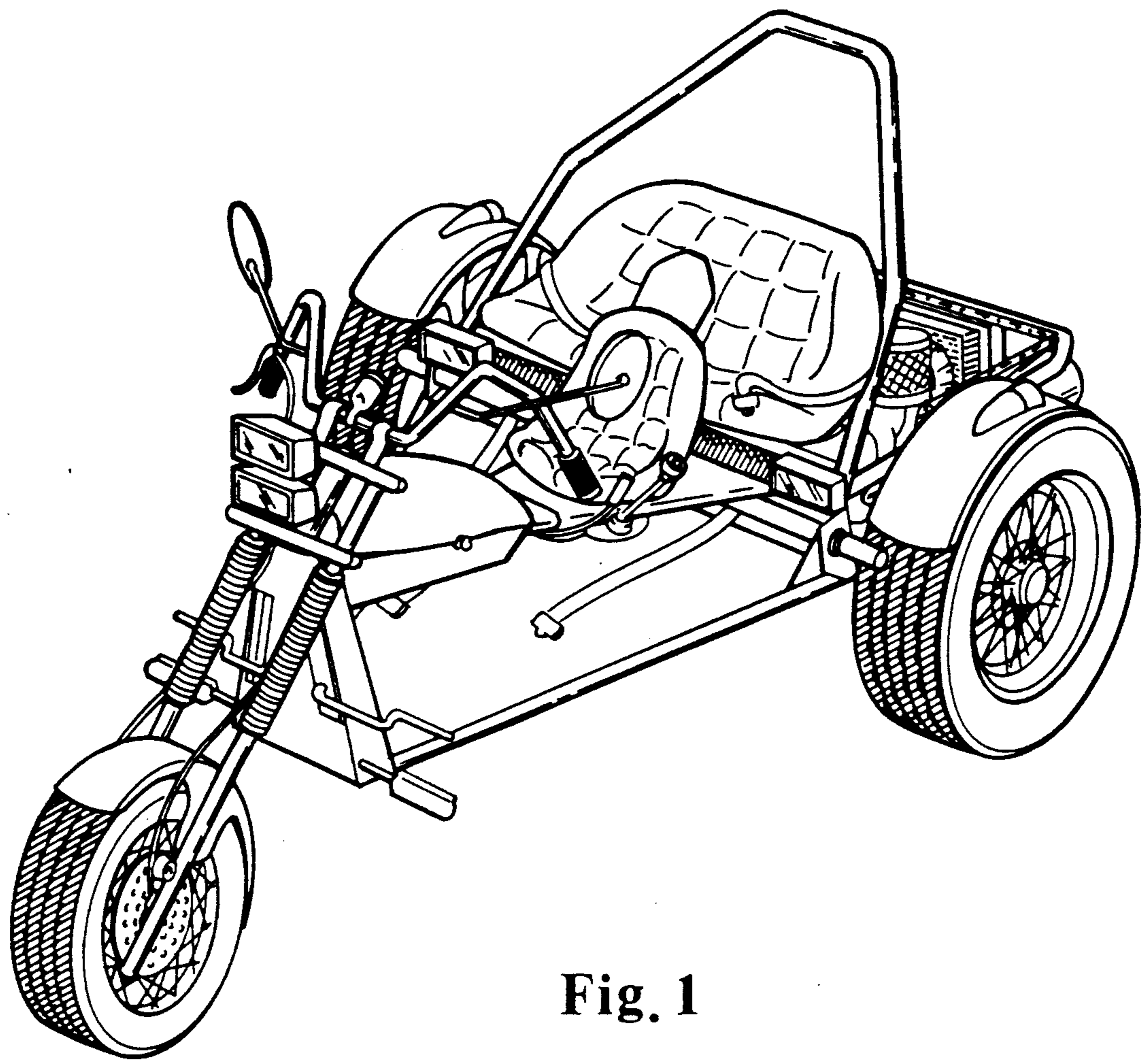


Fig. 1

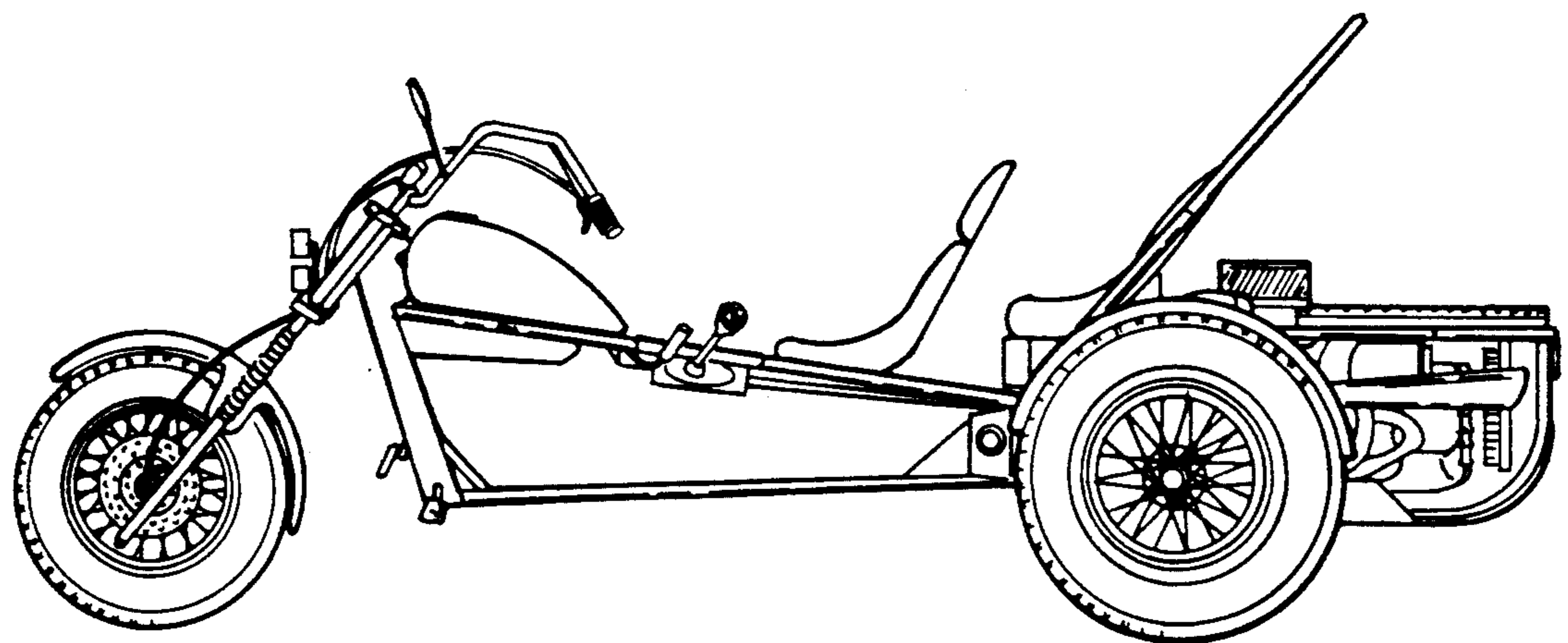


Fig. 2

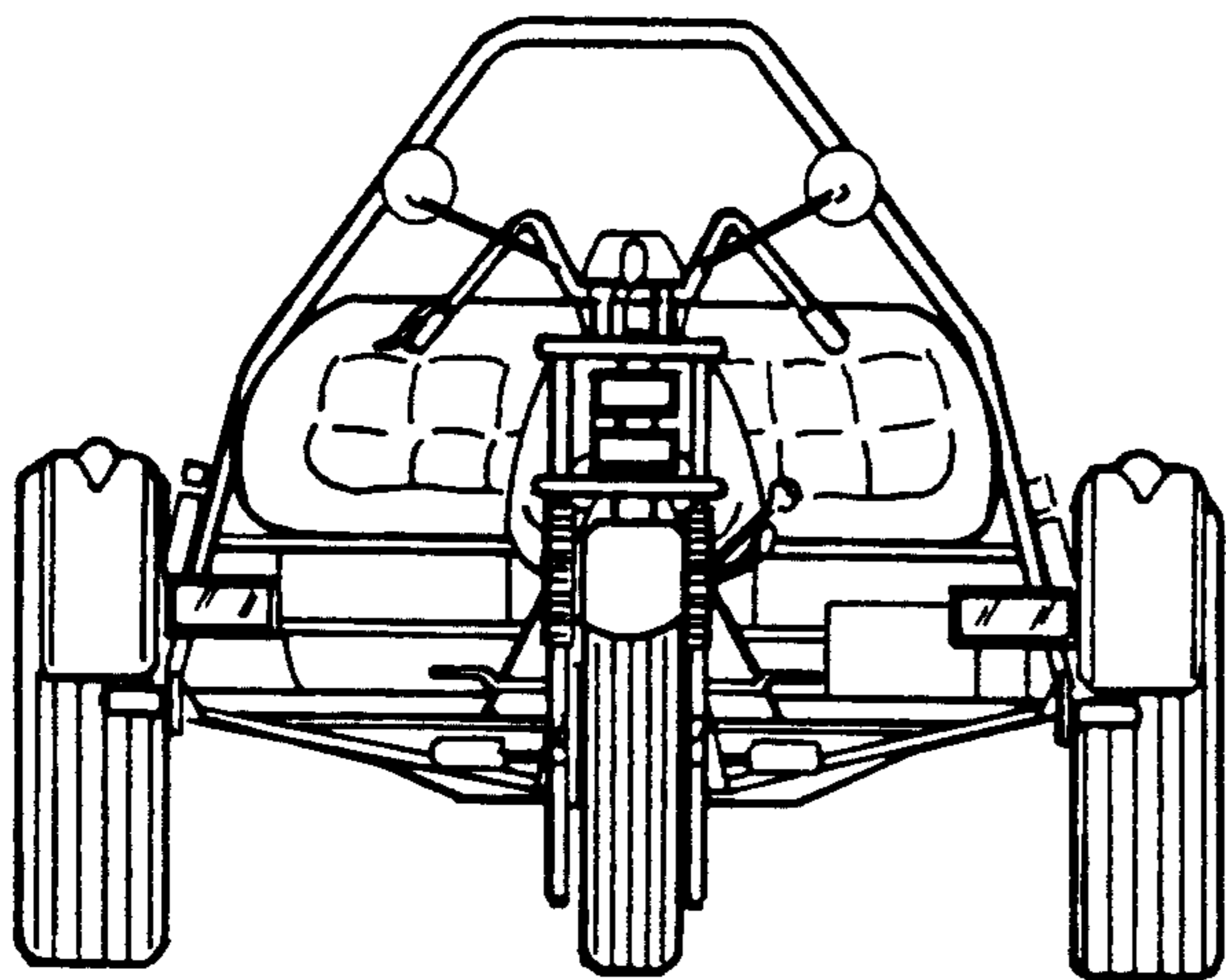


Fig. 3

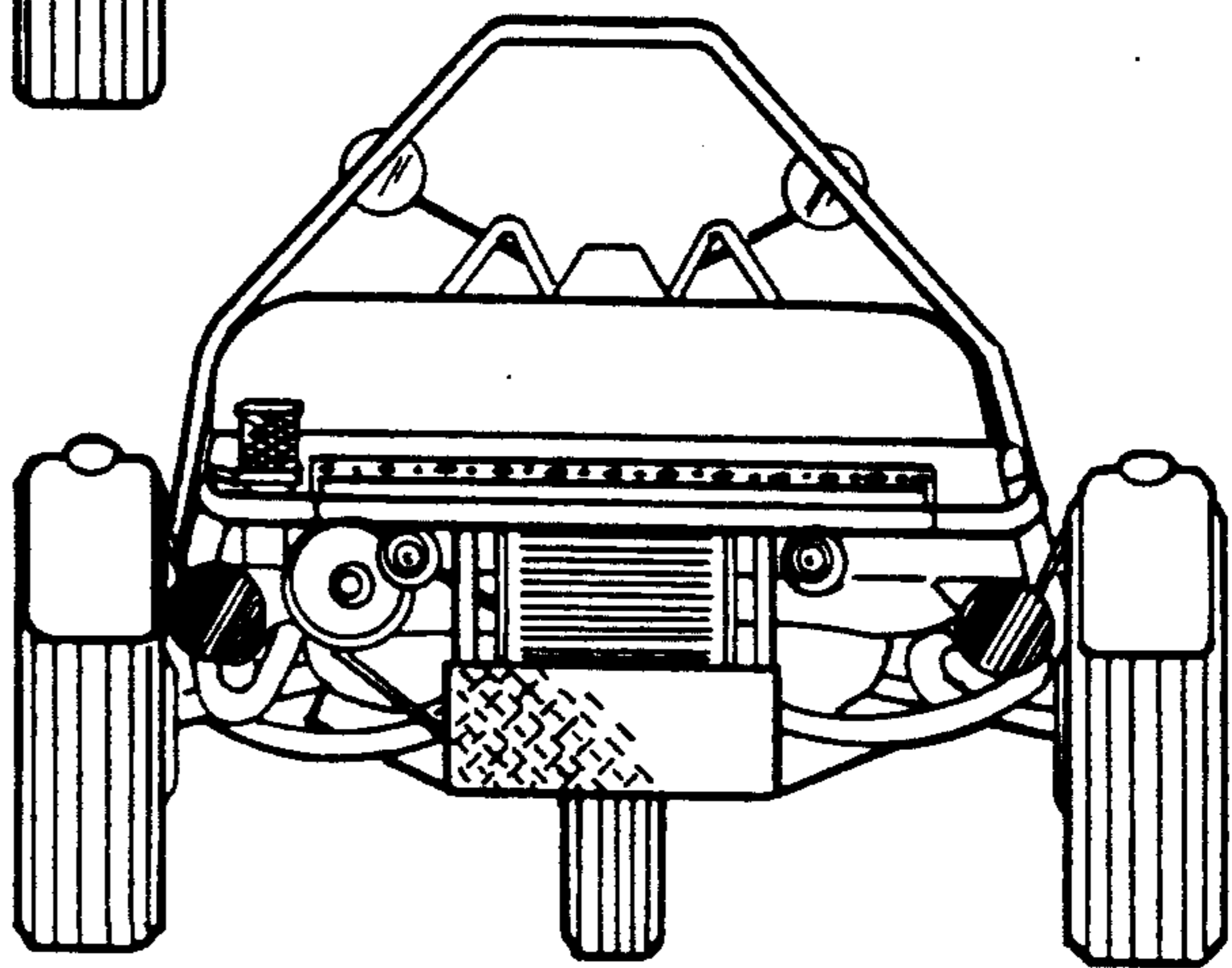


Fig. 4

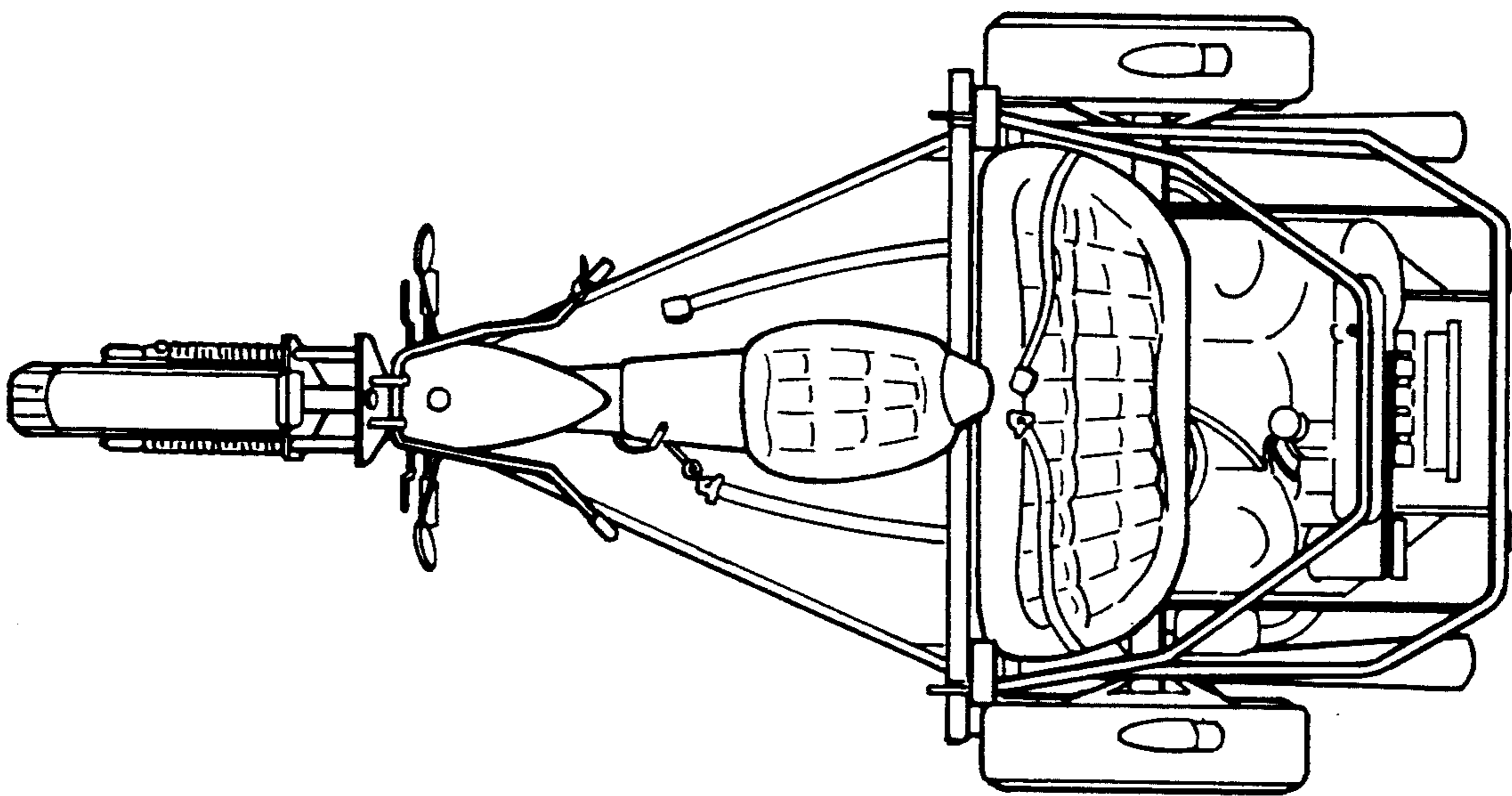


Fig. 5