



US00D344904S

# United States Patent [19]

[11] Patent Number: **Des. 344,904**

**Dotsikas**

[45] Date of Patent: **\*\* Mar. 8, 1994**

- [54] **COMBINED TRANSMITTER AND RECEIVER FOR A VEHICLE ALARM**
- [76] Inventor: **Michael Dotsikas, 3000-17 Stevens St., Oceanside, N.Y. 11572**
- [\*\*] Term: **14 Years**
- [21] Appl. No.: **3,529**
- [22] Filed: **Jan. 14, 1993**
- [52] U.S. Cl. .... **D10/106**
- [58] Field of Search ..... **340/540, 541, 542, 565, 340/568, 571, 572, 573, 574, 584, 426, 427; D10/104, 106, 116, 121**

4,885,572 12/1989 Iwata et al. .... 340/426

*Primary Examiner*—Wallace R. Burke  
*Assistant Examiner*—Marcus Jackson  
*Attorney, Agent, or Firm*—Terry M. Gernstein

### [57] CLAIM

The ornamental design for a combined transmitter and receiver for a vehicle alarm, as shown and described.

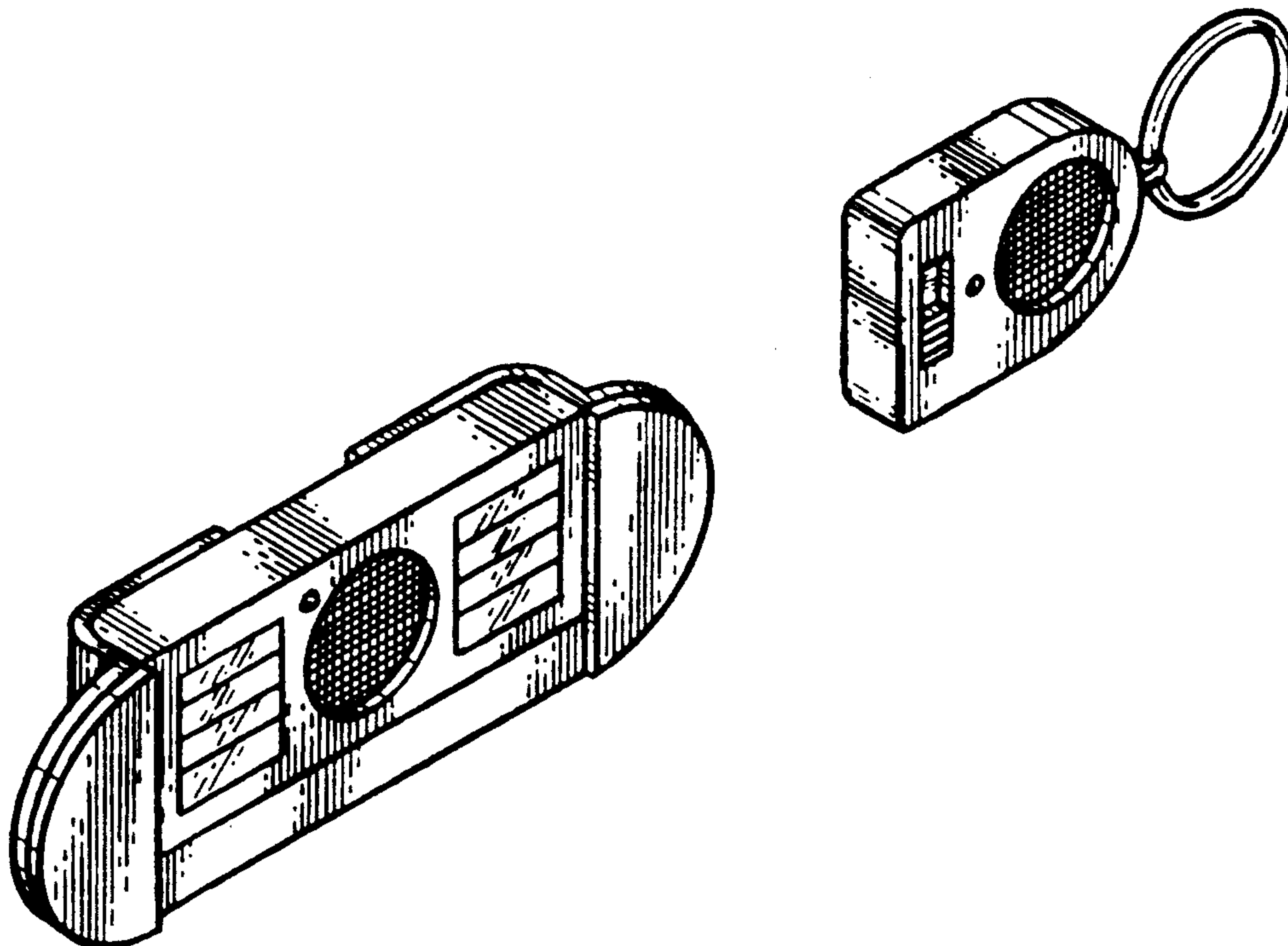
### DESCRIPTION

FIG. 1 is a front, top and side perspective view of the combined transmitter and receiver for a vehicle alarm showing my new design in the separated condition; FIG. 2 is a front elevational view thereof; FIG. 3 is a rear elevational view thereof; FIG. 4 is an end elevational view thereof; FIG. 5 is an end elevational view thereof; FIG. 6 is a top plan view thereof; and, FIG. 7 is a bottom plan view thereof.

### [56] References Cited

#### U.S. PATENT DOCUMENTS

- |            |        |              |       |         |
|------------|--------|--------------|-------|---------|
| D. 303,223 | 9/1989 | Issa         | ..... | D10/106 |
| 4,143,368  | 3/1979 | Route et al. | ..... | 340/426 |
| 4,337,454  | 6/1982 | Iwata        | ..... | 340/426 |



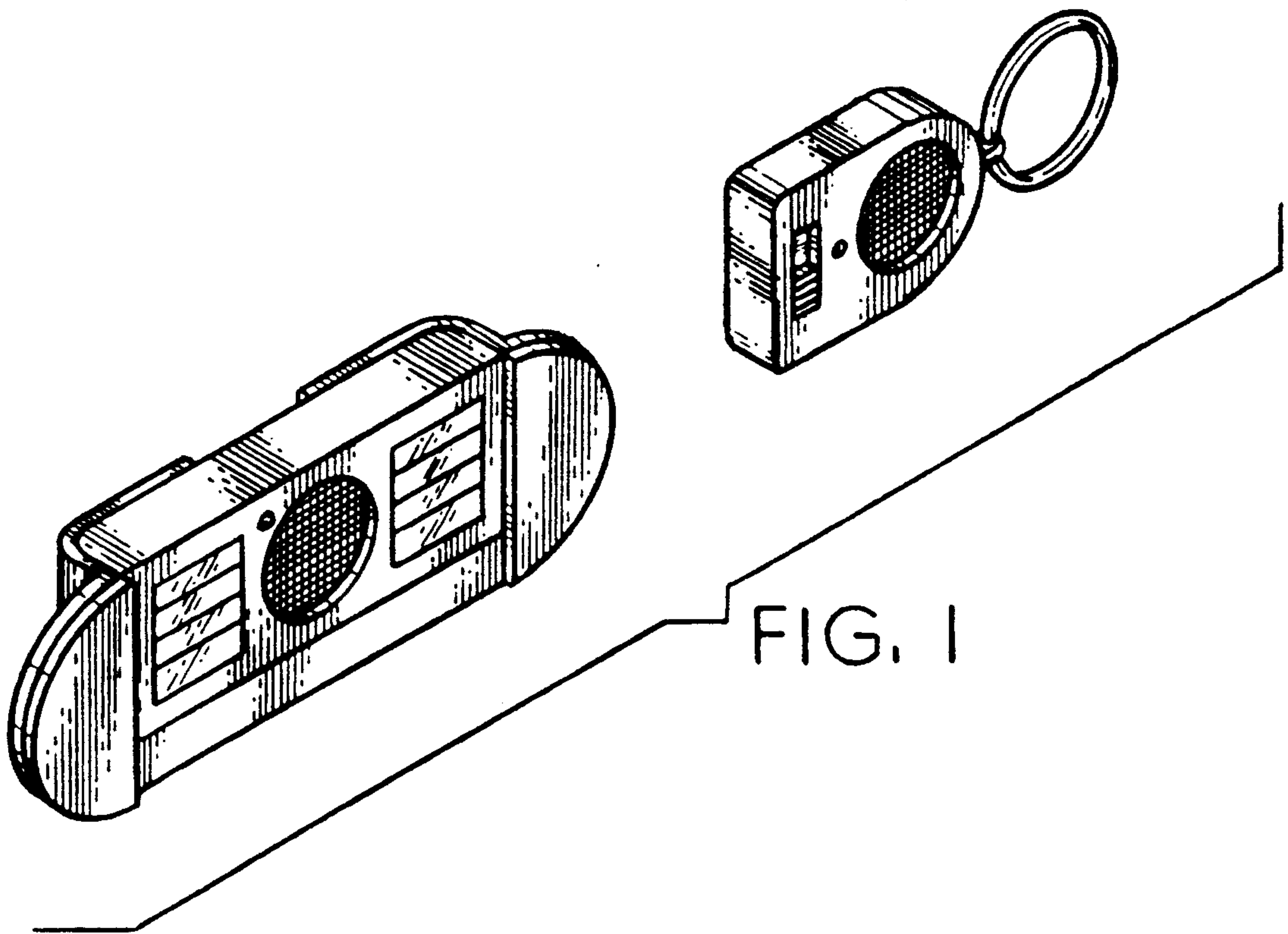


FIG. 1

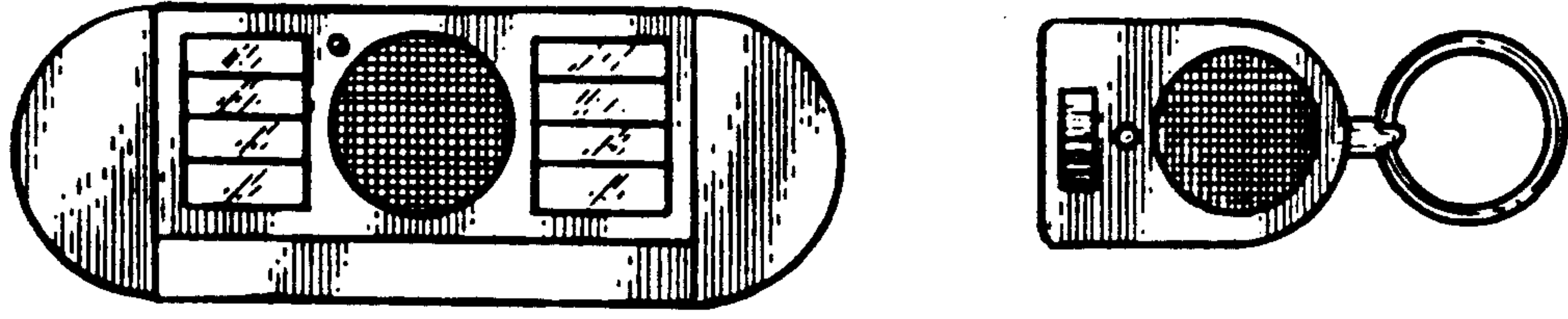


FIG. 2

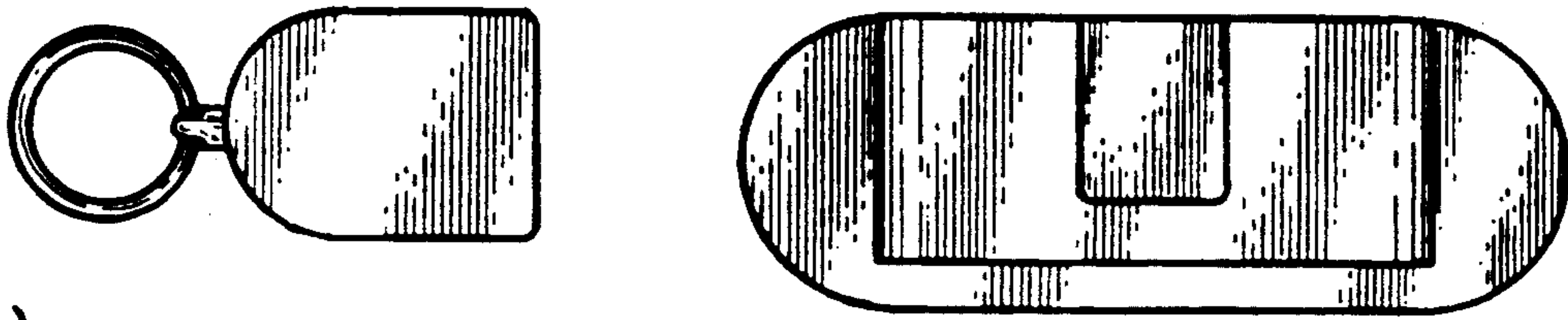


FIG. 3



FIG. 5



FIG. 4

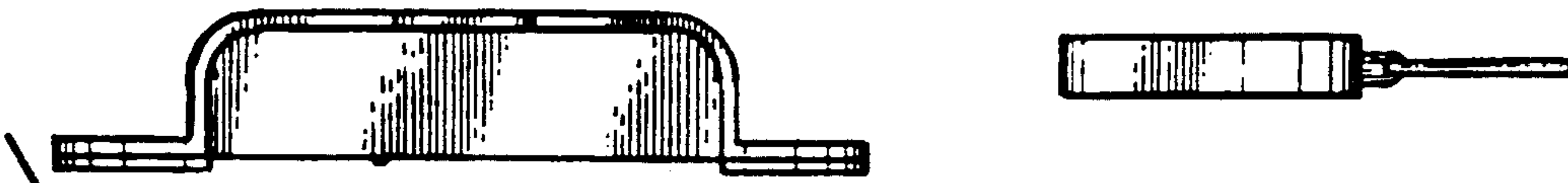


FIG. 6

FIG. 7

