



US00D344889S

United States Patent [19]

[11] Patent Number: **Des. 344,889**

Kozlowski et al.

[45] Date of Patent: **** Mar. 8, 1994**

[54] **CHILD-PROOF TABLET DISPENSER**

[75] Inventors: **Edward R. Kozlowski**, Southport;
Lance Liljeqvist, Wilton; **Matthew Murray**, Norwalk, all of Conn.

[73] Assignee: **Miles Inc.**, Elkhart, Ind.

[**] Term: **14 Years**

[21] Appl. No.: **896,555**

[22] Filed: **Jun. 10, 1992**

[52] U.S. Cl. **D9/339**

[58] Field of Search **D9/339, 431, 529, 545;**
D3/39; 206/528, 531, 534, 540; 221/202, 243,
263

[56] **References Cited**

U.S. PATENT DOCUMENTS

- D. 141,980 8/1945 Holland et al. D3/39
- D. 279,224 6/1985 Wolbrom D9/338 X

- D. 306,094 2/1990 Carmichael D3/39
- D. 333,885 3/1993 Laing D3/39 X
- 2,774,470 12/1956 Q Part 221/202
- 3,313,451 4/1967 Rhindress 221/243

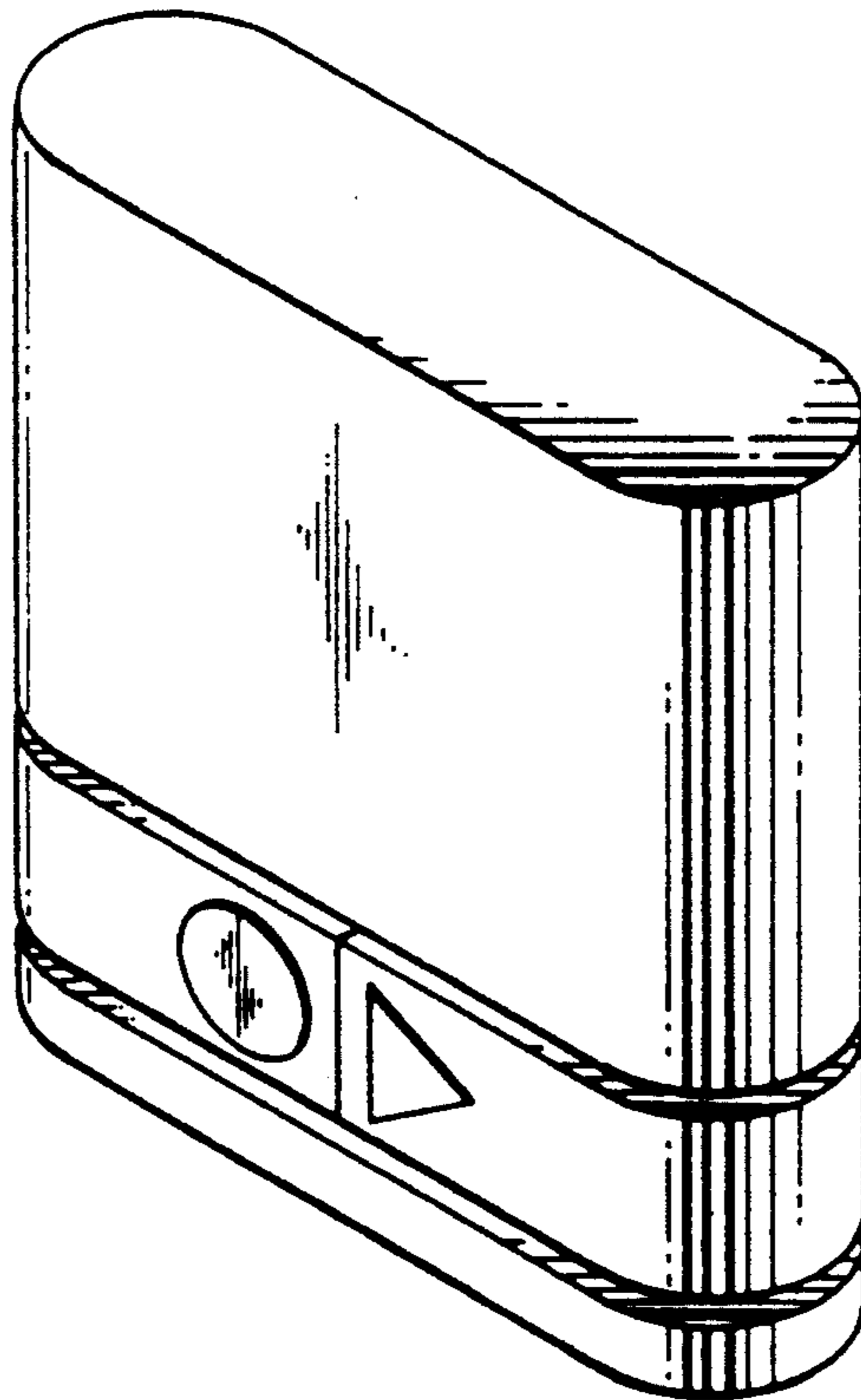
Primary Examiner—Bernard Ansher
Assistant Examiner—M. Siegel
Attorney, Agent, or Firm—L. E. Davidson

[57] **CLAIM**

The ornamental design for the child-proof tablet dispenser, as shown and described.

DESCRIPTION

FIG. 1 is an isometric view of the child-proof tablet dispenser showing our new design; FIG. 2 is a side elevational view thereof; FIG. 3 is a rear elevational view; FIG. 4 is a front elevational view thereof; FIG. 5 is a bottom plan view thereof; and, FIG. 6 is a bottom plan view of an alternate embodiment of the dispenser in FIG. 1.



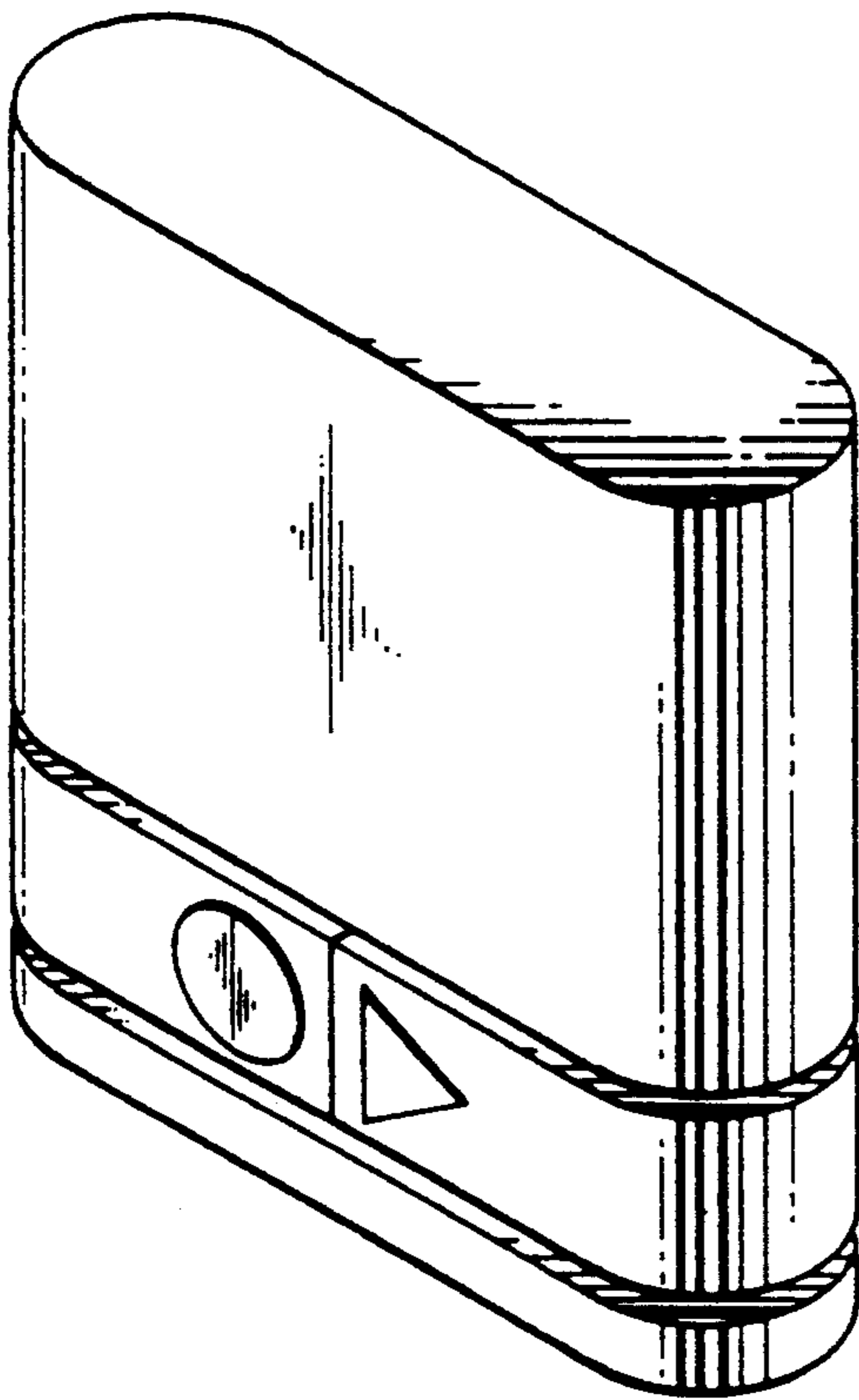


FIG. 1



FIG. 2

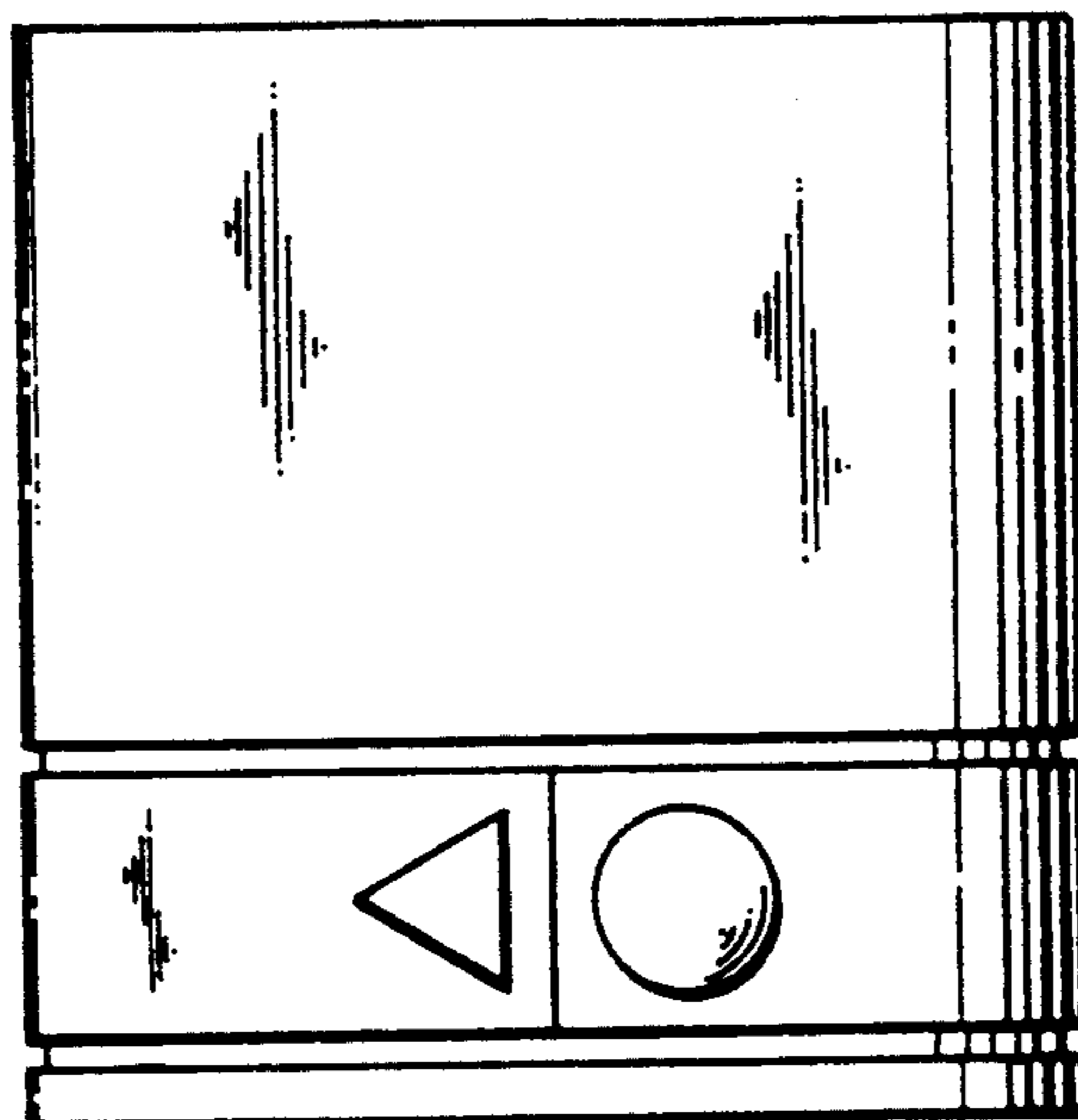


FIG. 3

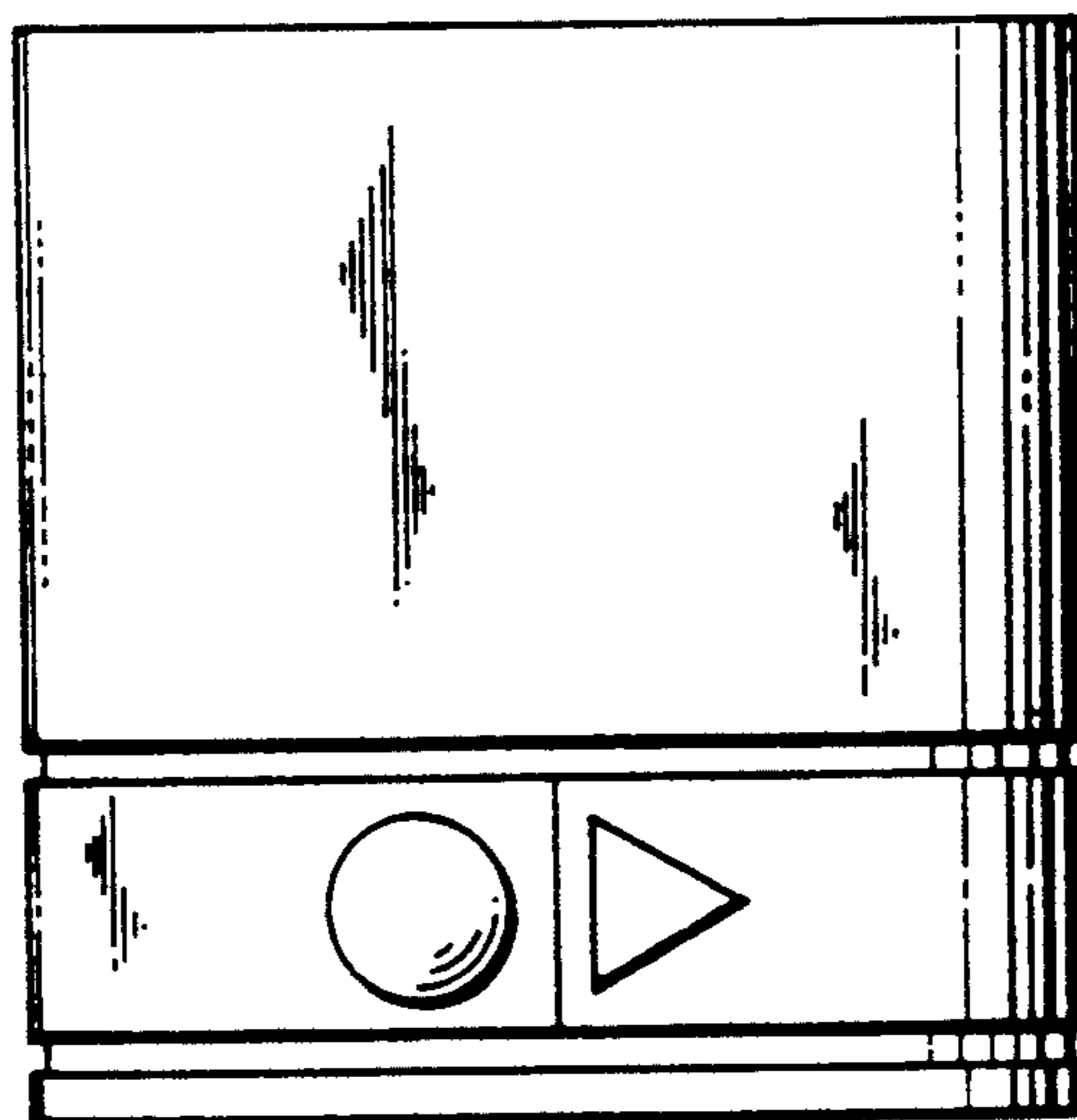


FIG. 4

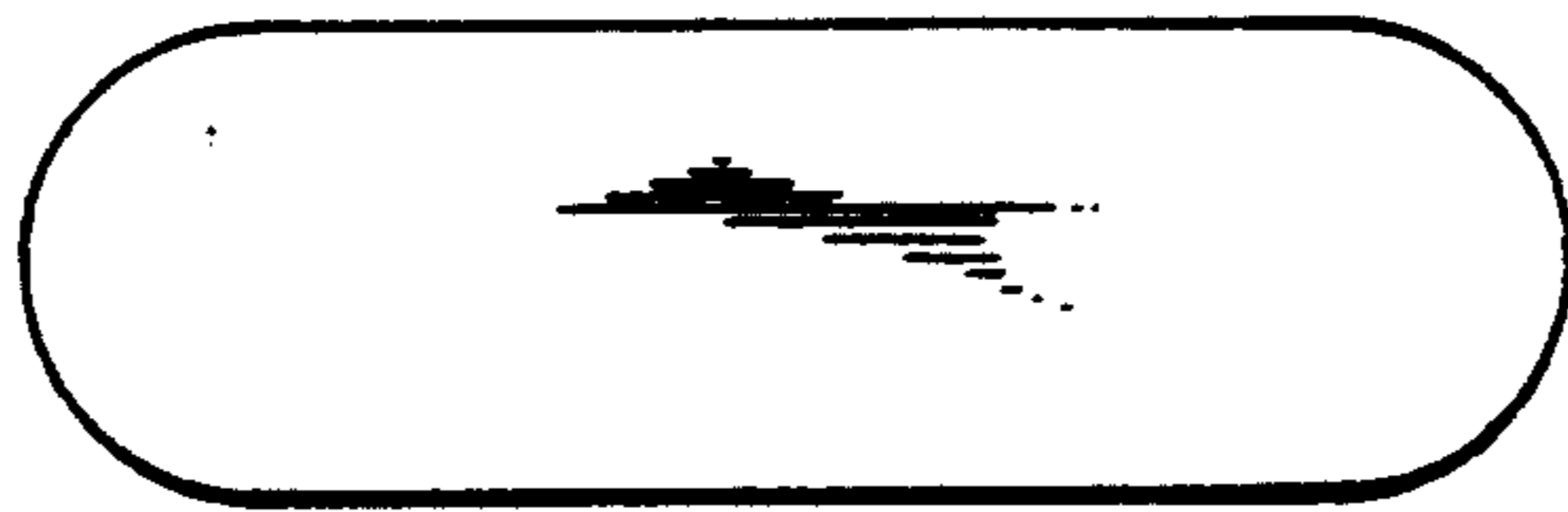


FIG. 5

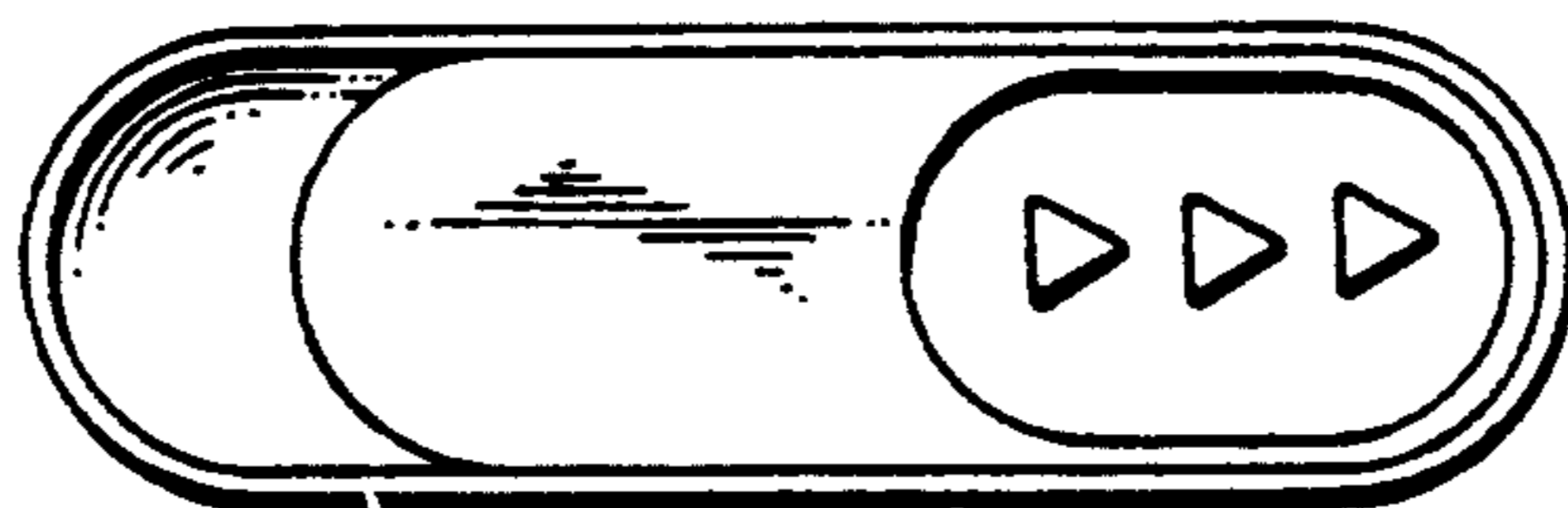


FIG. 6