



US00D344888S

United States Patent [19]

[11] Patent Number: Des. 344,888

Linnér

[45] Date of Patent: ** Mar. 8, 1994

[54] TUBE

[75] Inventor: **Hans Linnér**, Kalmar, Sweden

[73] Assignee: **Norden Pac Development AB**, Sweden

[**] Term: **14 Years**

[21] Appl. No.: **859,141**

[22] Filed: **Mar. 27, 1992**

[30] Foreign Application Priority Data

Jan. 20, 1992 [FR] France 920316

Feb. 26, 1992 [FR] France 921201

[52] U.S. Cl. **D9/302**

[58] Field of Search D9/302, 306, 337; D6/541; 222/92, 96, 181

2,435,251 2/1948 Tome .

2,715,072 6/1956 Ditmar .

3,395,836 8/1968 Stahmer .

4,126,249 11/1978 Wood .

4,598,839 7/1986 Dombroski et al. 222/92

4,709,821 12/1987 Guiffroy .

4,997,107 3/1991 Snyder et al. 222/92

FOREIGN PATENT DOCUMENTS

2210237 9/1973 Fed. Rep. of Germany 222/181

OTHER PUBLICATIONS

Modern Packaging; Nov. 1976; p. 8.

Primary Examiner—Bernard Ansher

Assistant Examiner—M. Siegel

Attorney, Agent, or Firm—Lerner, David, Littenberg, Krumholz & Mentlik

[56] **References Cited**

U.S. PATENT DOCUMENTS

D. 70,517 7/1926 Vaughan .

D. 99,424 5/1935 de Vaulchier .

D. 184,020 12/1958 Lerner .

D. 200,817 4/1965 Woodard D9/302

D. 201,646 7/1965 Woodard .

D. 204,426 4/1966 Dalsgaard .

D. 212,585 11/1968 Joy .

D. 240,017 5/1976 Trott .

D. 245,758 9/1977 Pardo .

D. 246,155 10/1977 Hoyt .

D. 246,509 11/1977 Hytken .

D. 267,927 2/1983 Smith .

D. 278,120 3/1985 Grant et al. .

D. 279,077 6/1985 Drummond, Jr. et al. .

D. 279,548 7/1985 Schildknecht .

D. 288,061 2/1987 Bek et al. .

D. 292,556 11/1987 Daugherty .

D. 296,419 6/1988 Terrell .

D. 308,824 6/1990 Wiseman et al. .

D. 310,487 9/1990 Genaro .

D. 311,133 10/1990 Wiseman et al. .

D. 316,221 4/1991 Dombroski D9/302

D. 321,828 11/1991 Durling .

D. 323,291 1/1992 Wilgus .

D. 323,984 2/1992 Hamilton et al. .

D. 324,806 3/1992 Van Arman .

1,919,712 7/1933 Dunlop .

1,934,699 11/1933 Christen .

2,147,349 2/1939 Piquerez .

2,182,243 12/1939 Baker .

[57] CLAIM

The ornamental design for a tube, as shown and described.

DESCRIPTION

FIG. 1 is a top plan view of a tube showing my new design, the opposite side being identical;

FIG. 2 is a side elevational view thereof, the opposite side being identical;

FIG. 3 is a perspective view thereof;

FIG. 4 is a top plan view of a second embodiment of a tube as in FIG. 1, the opposite side being identical;

FIG. 5 is a side elevational view of FIG. 4, the opposite side being identical;

FIG. 6 is a perspective view of FIG. 4;

FIG. 7 is a top plan view of a third embodiment of a tube as in FIG. 1, the opposite side being identical;

FIG. 8 is a side elevational view of FIG. 7, the opposite side being identical;

FIG. 9 is a perspective view of FIG. 7;

FIG. 10 is a top plan view of a fourth embodiment of a tube as in FIG. 1, the opposite side being identical;

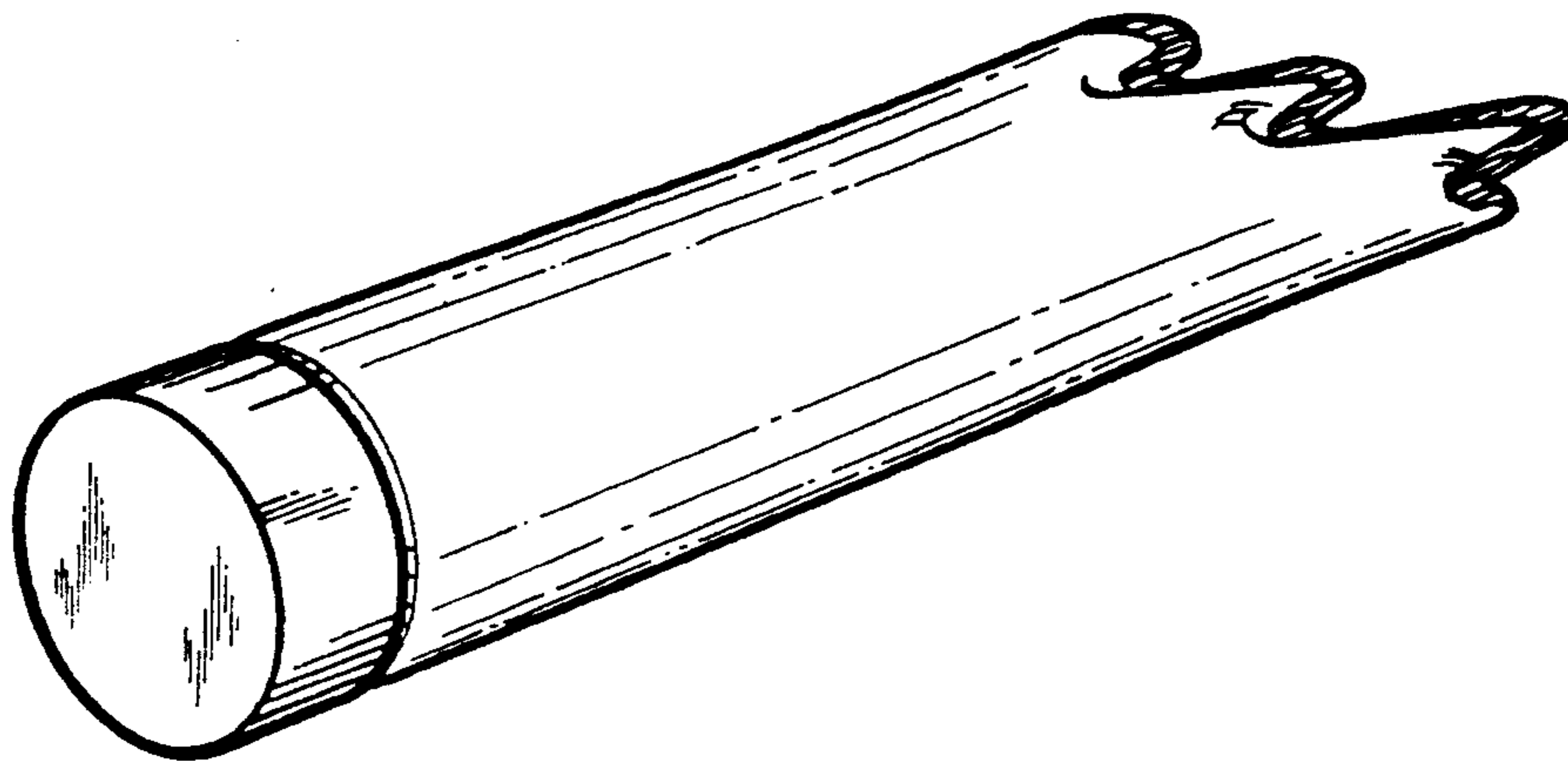
FIG. 11 is a side elevational view of FIG. 10, the opposite side being identical;

FIG. 12 is a perspective view of FIG. 10;

FIG. 13 is a top plan view of a fifth embodiment of a tube as in FIG. 1, the opposite side being identical;

FIG. 14 is a side elevational view of FIG. 13, the opposite side being identical; and,

FIG. 15 is a perspective view of FIG. 13.



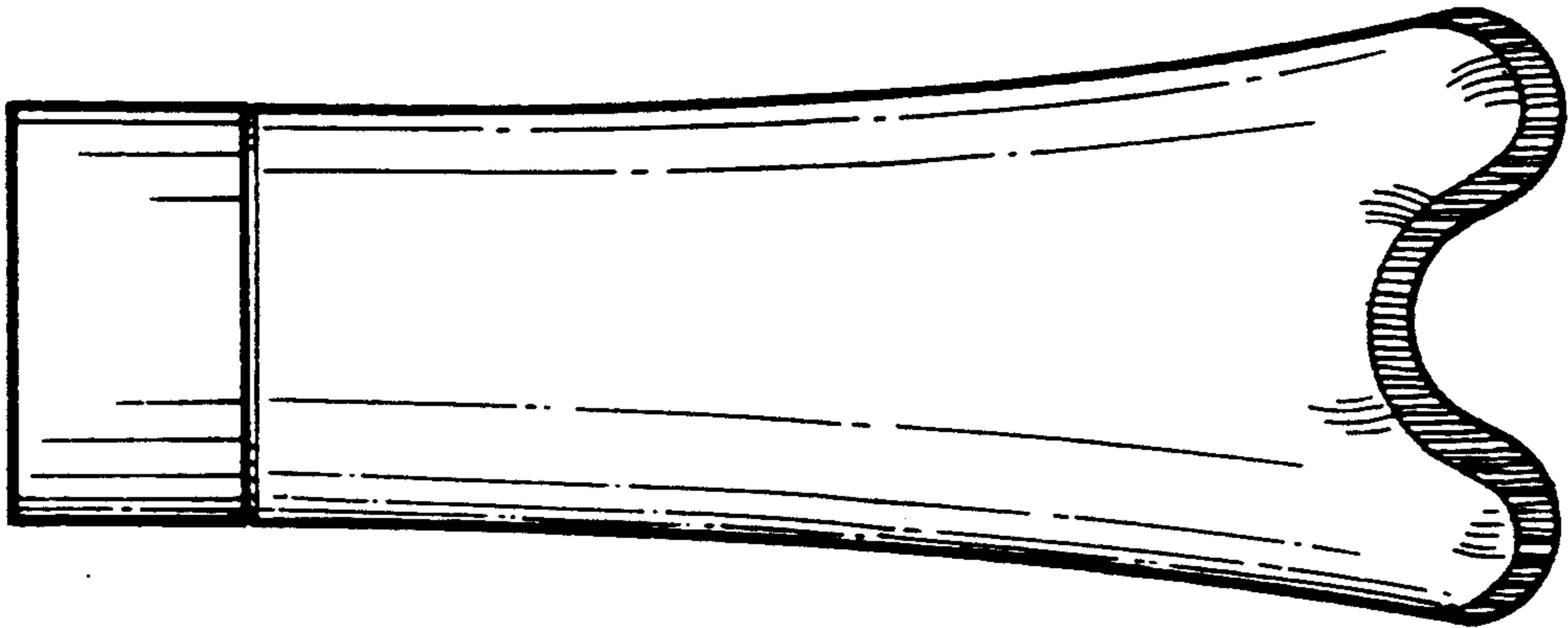


FIG. 1

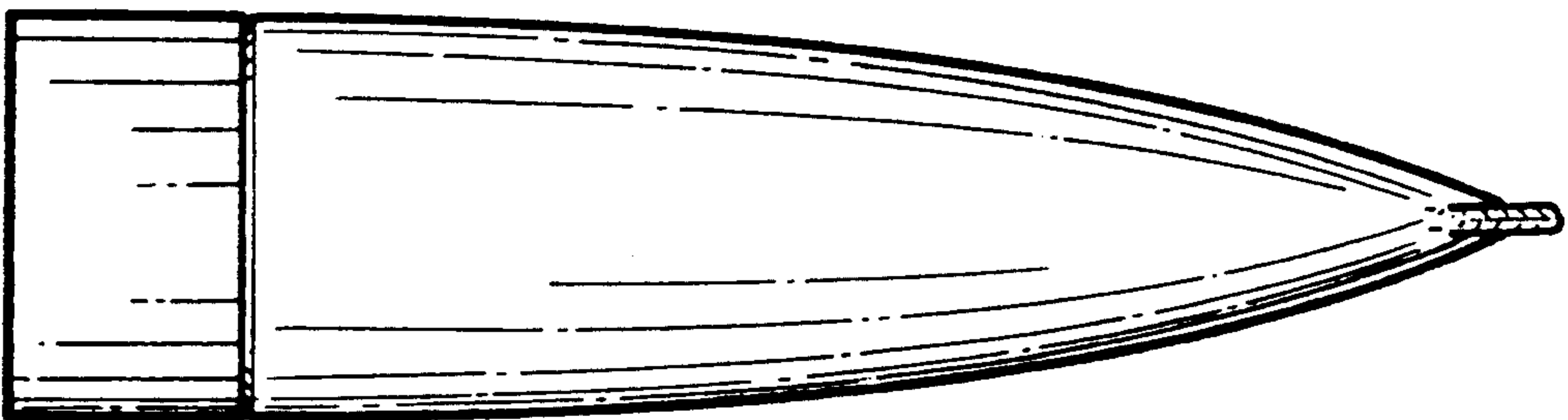


FIG. 2

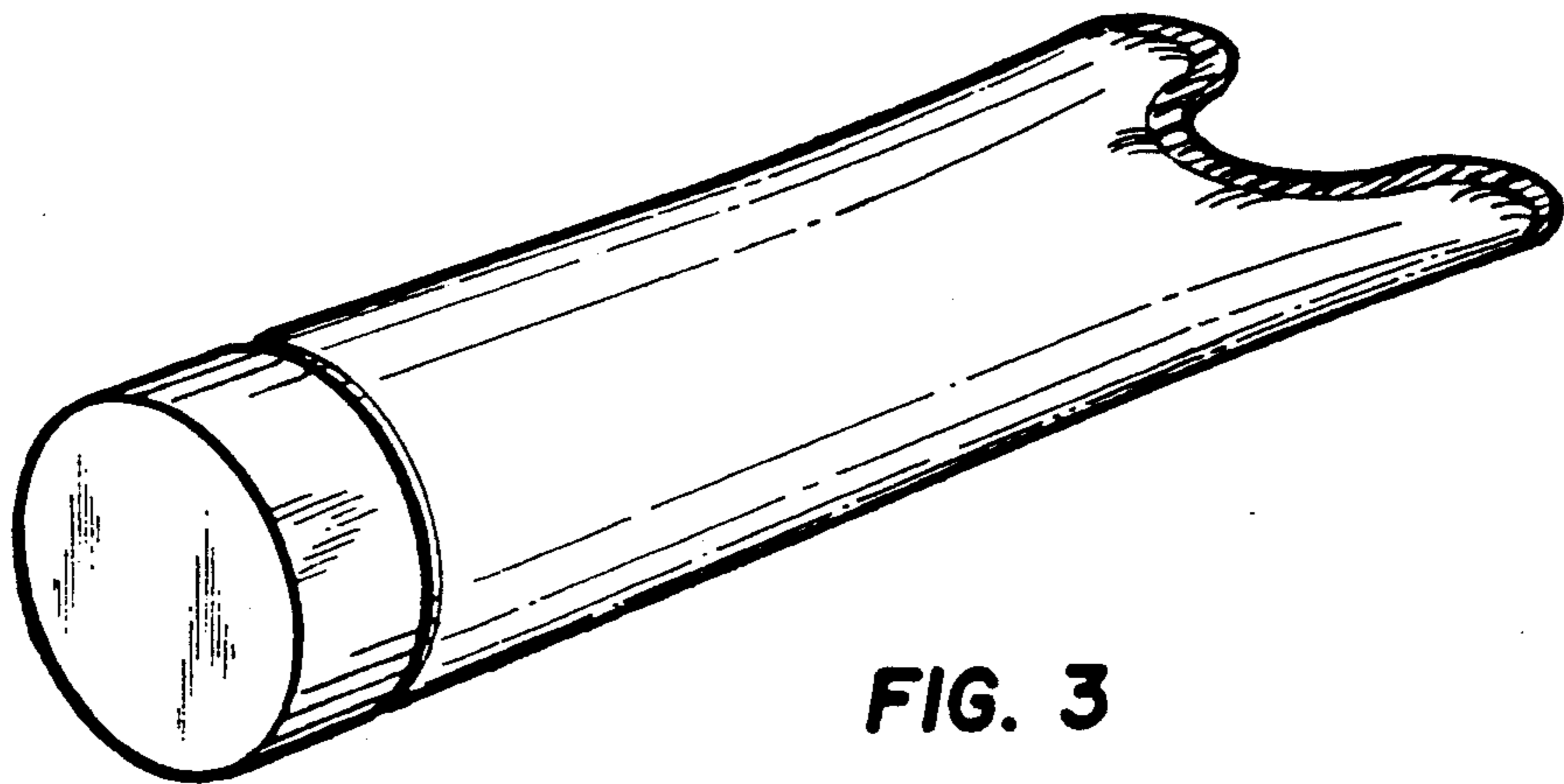


FIG. 3



FIG. 4



FIG. 5

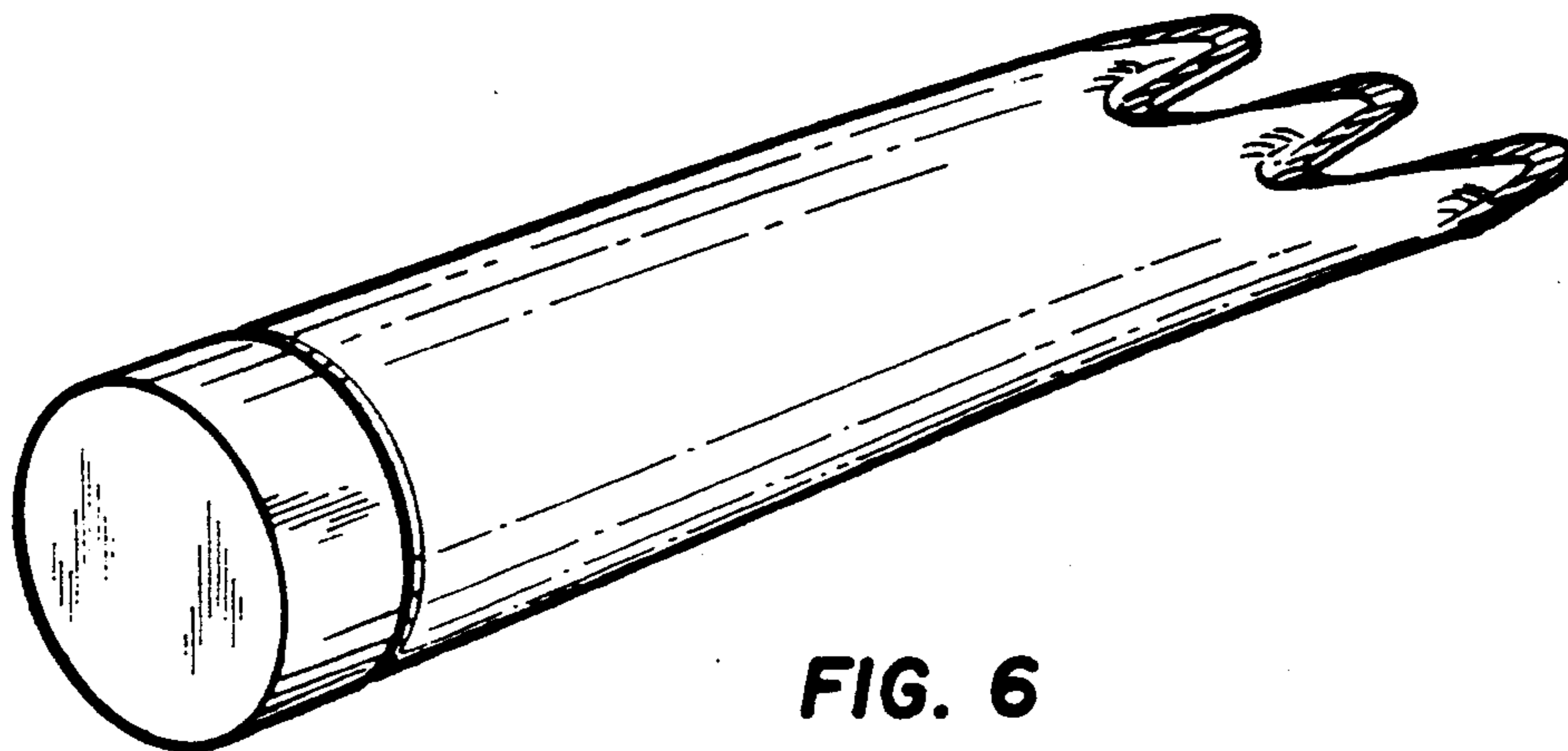


FIG. 6

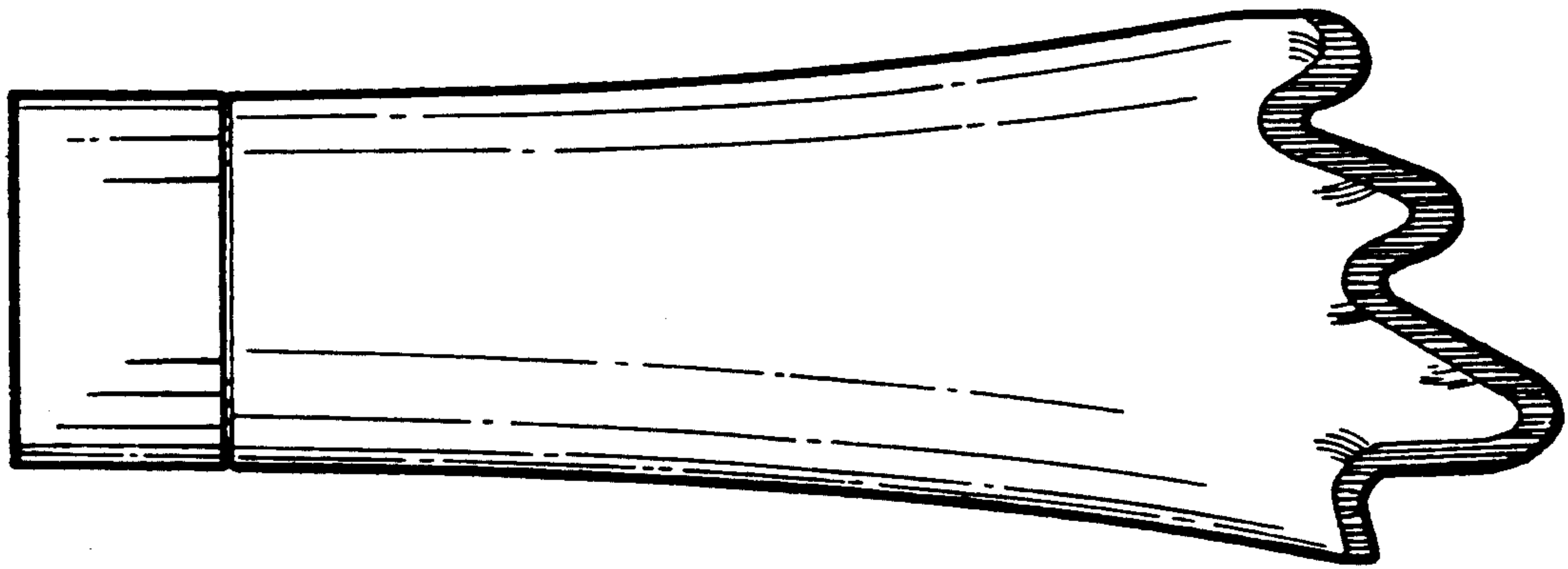


FIG. 7

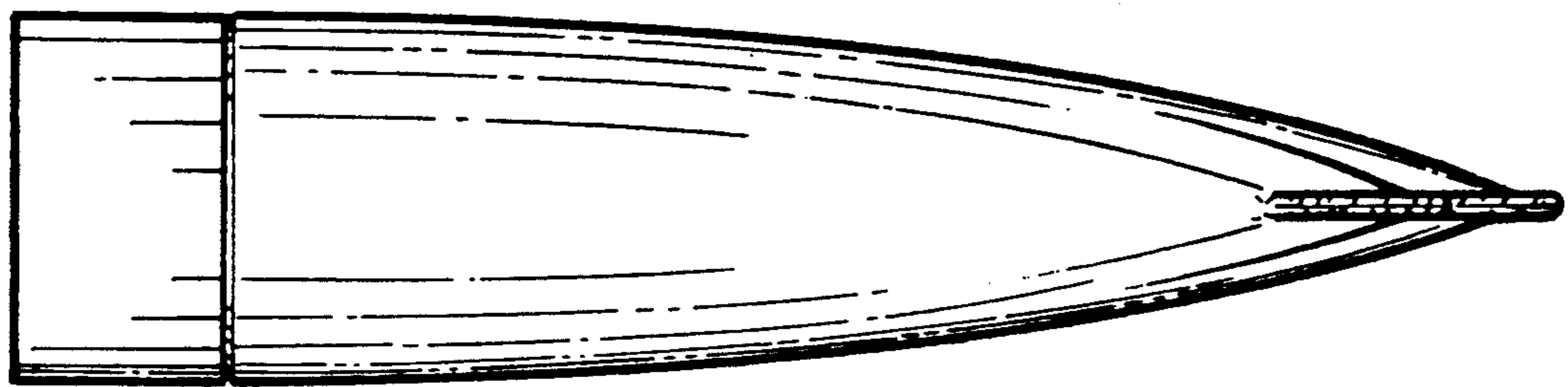


FIG. 8

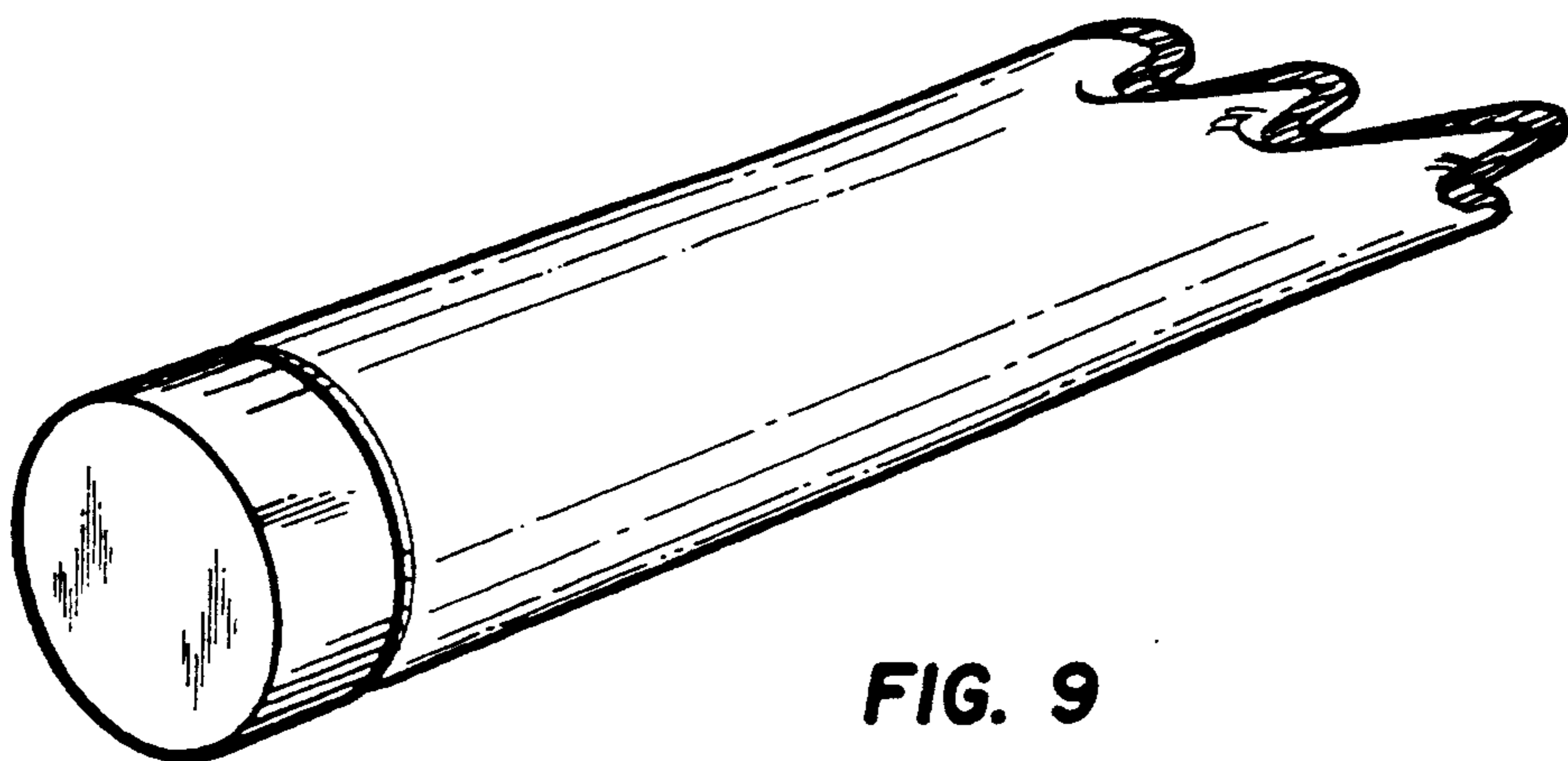


FIG. 9

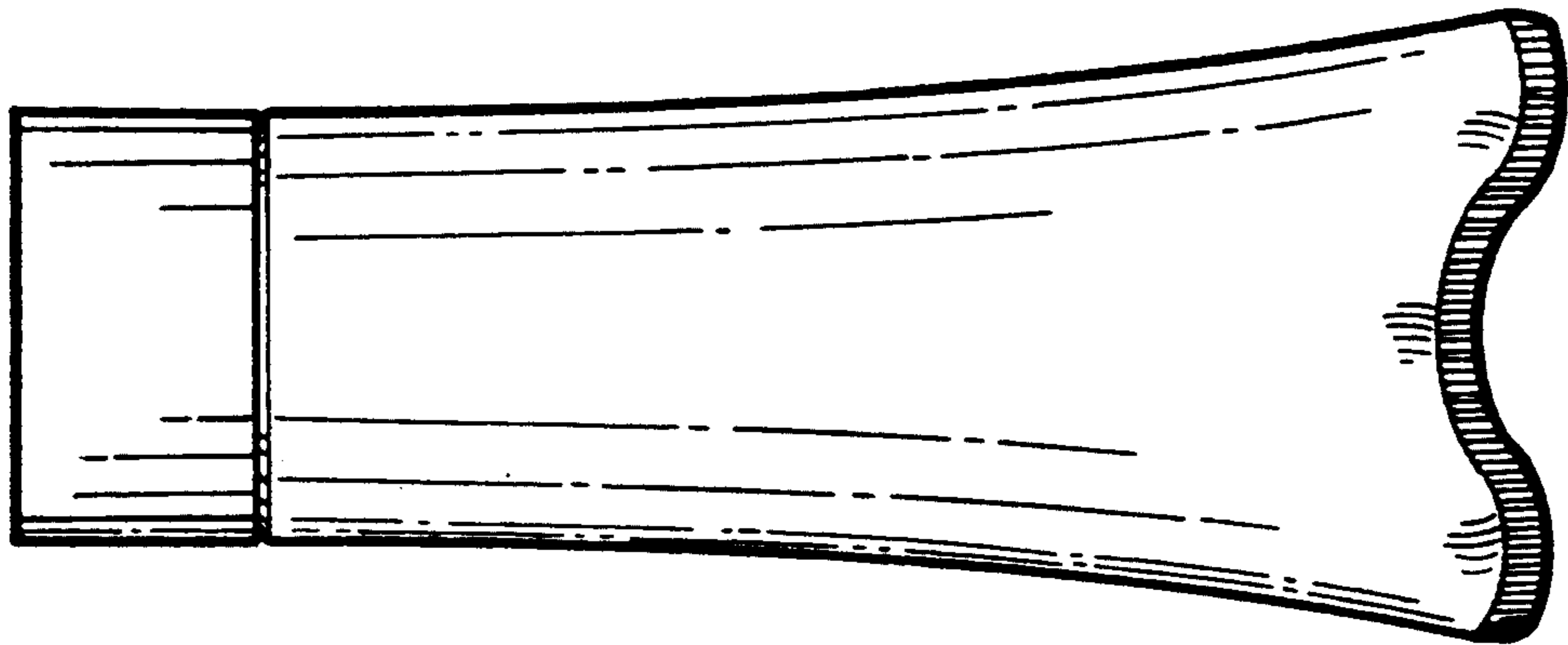


FIG. 10

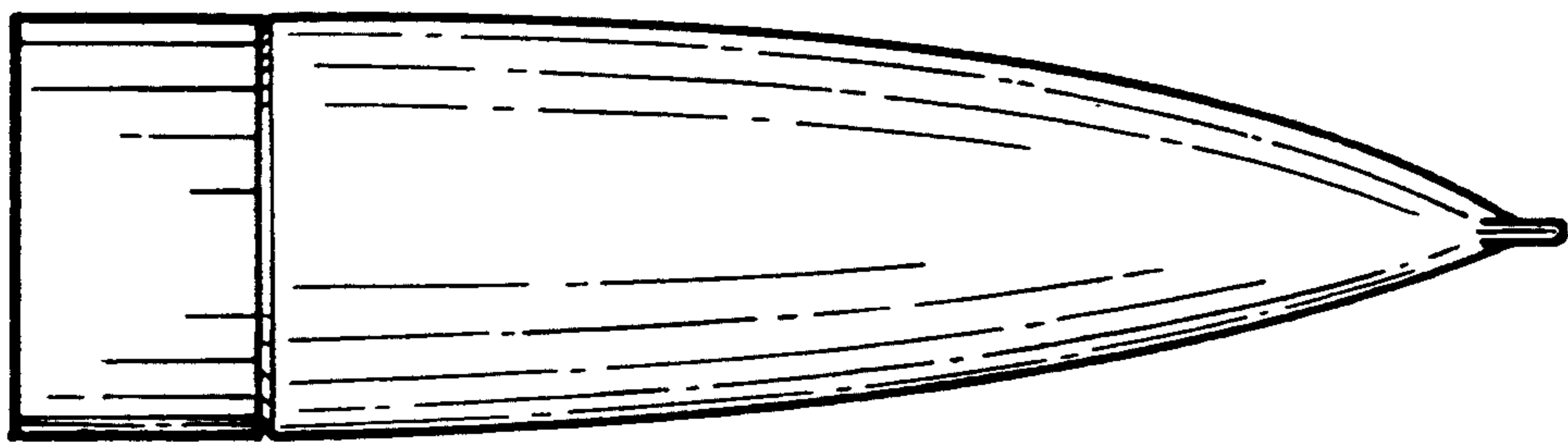


FIG. 11

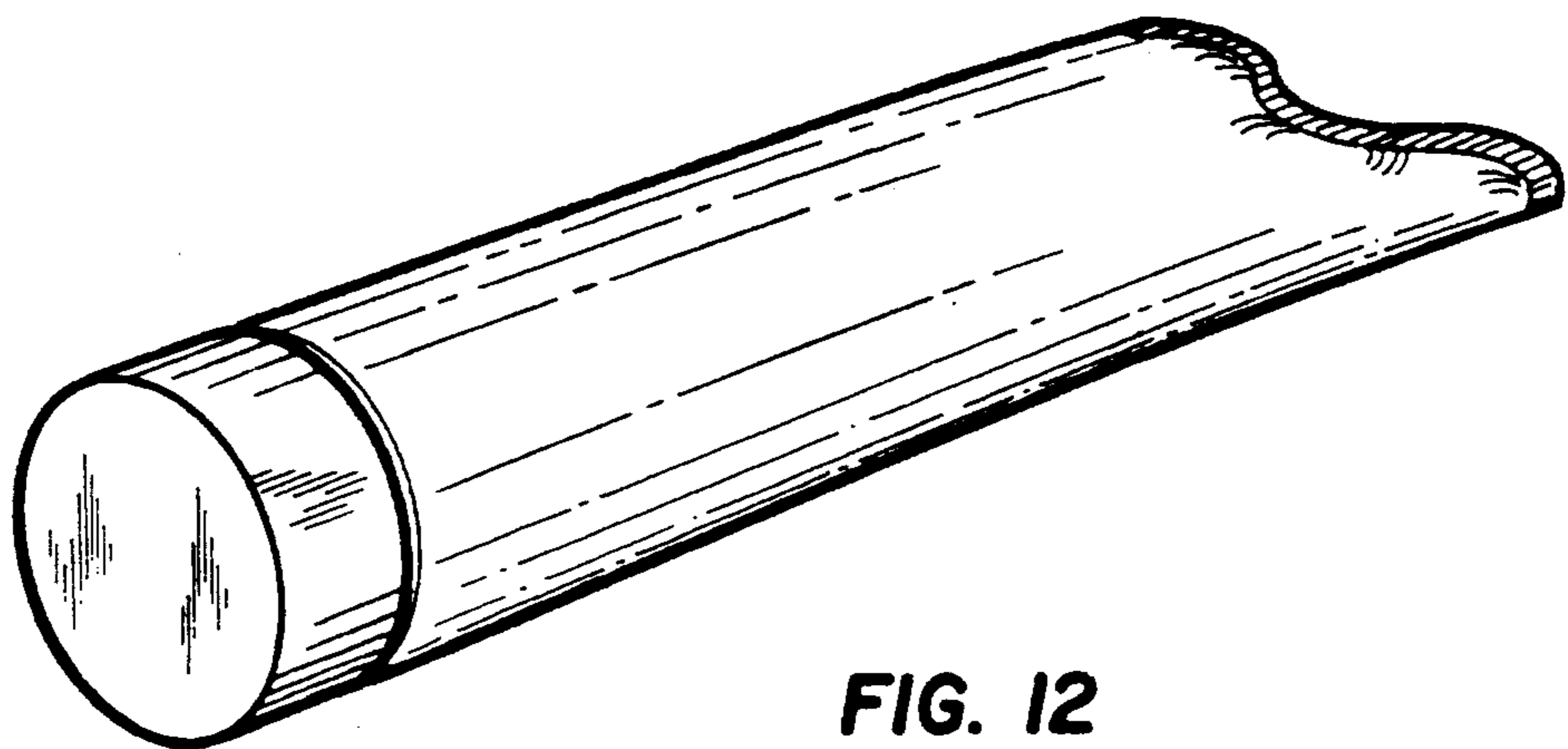


FIG. 12

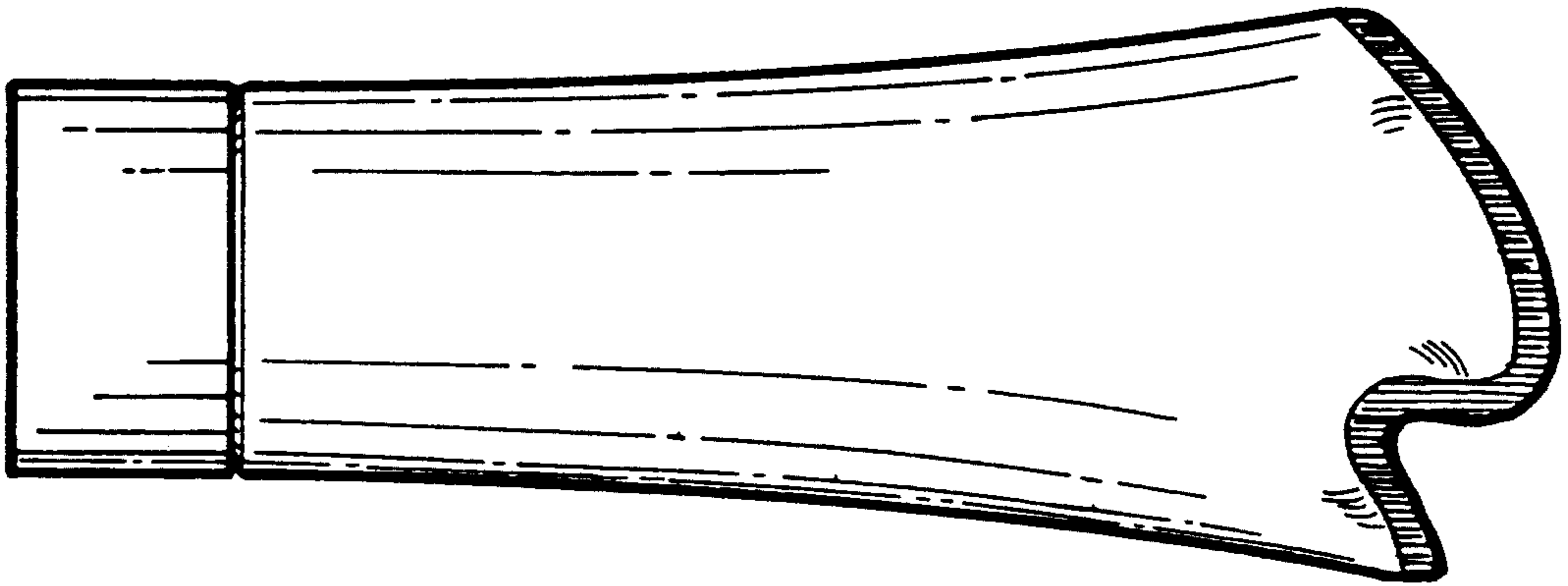


FIG. 13

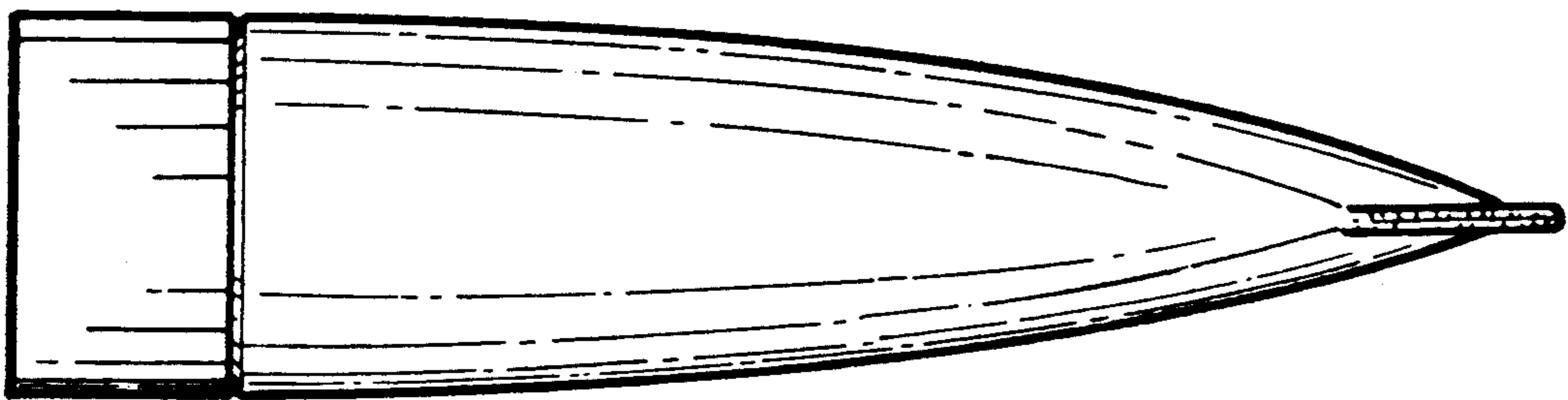


FIG. 14

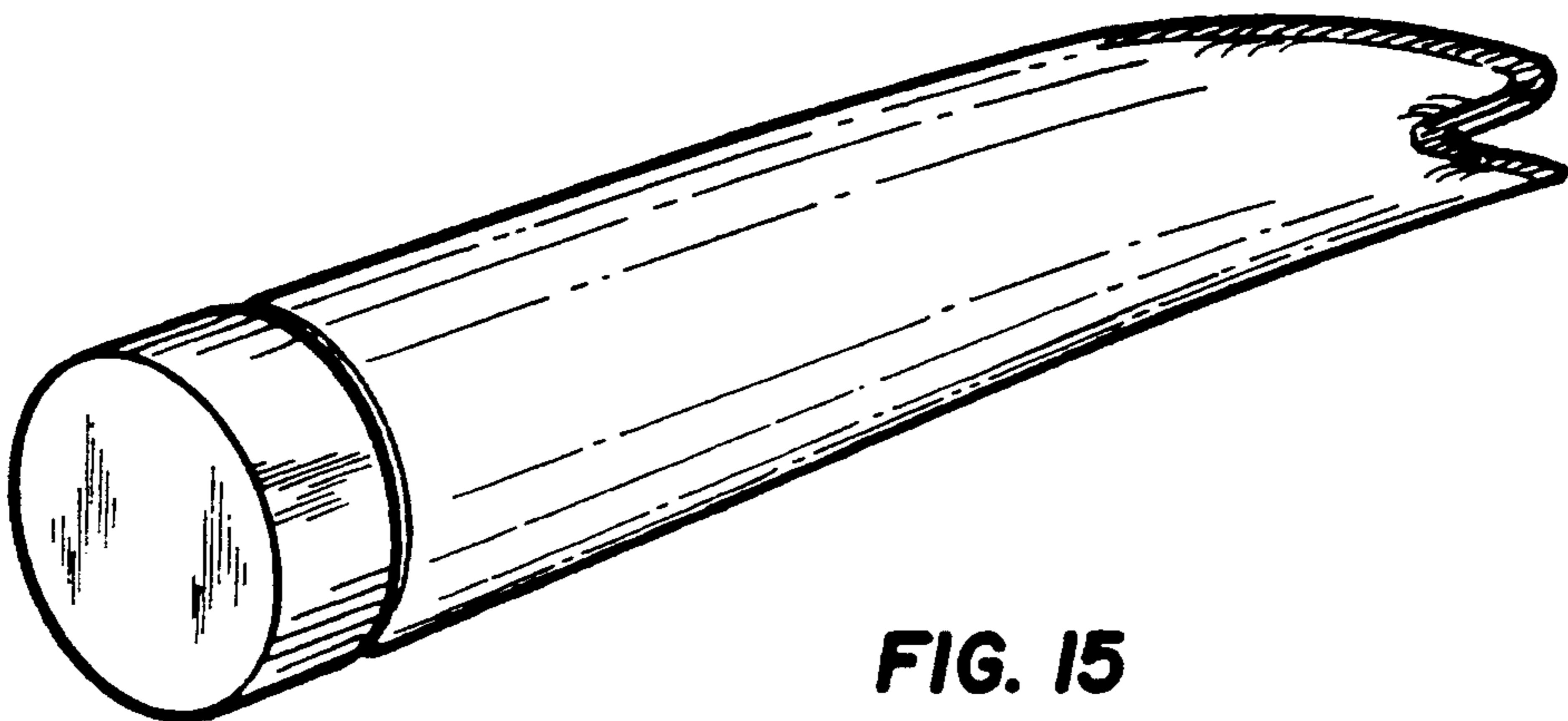


FIG. 15