



US00D344886S

# United States Patent [19]

[11] Patent Number: Des. 344,886

Sachs

[45] Date of Patent: \*\* Mar. 8, 1994

## [54] POLE ATTACHMENT BRACKET

[76] Inventor: **Isaac Sachs**, 283 Newton,  
Dollard-Des-Ormeaux, Quebec,  
Canada, H9A 3G1

[\*\*] Term: **14 Years**

[21] Appl. No.: **323**

[22] Filed: **Oct. 13, 1992**

[52] U.S. Cl. .... **D8/373**

[58] Field of Search ..... **D8/373, 356, 354;  
248/476, 74.1, 58**

### [56] References Cited

#### U.S. PATENT DOCUMENTS

- D. 215,141 9/1969 Harmsen ..... D8/354 X
- D. 331,006 11/1992 Dziejczic ..... D8/356
- D. 338,826 8/1993 Schmidt et al. .... D8/373

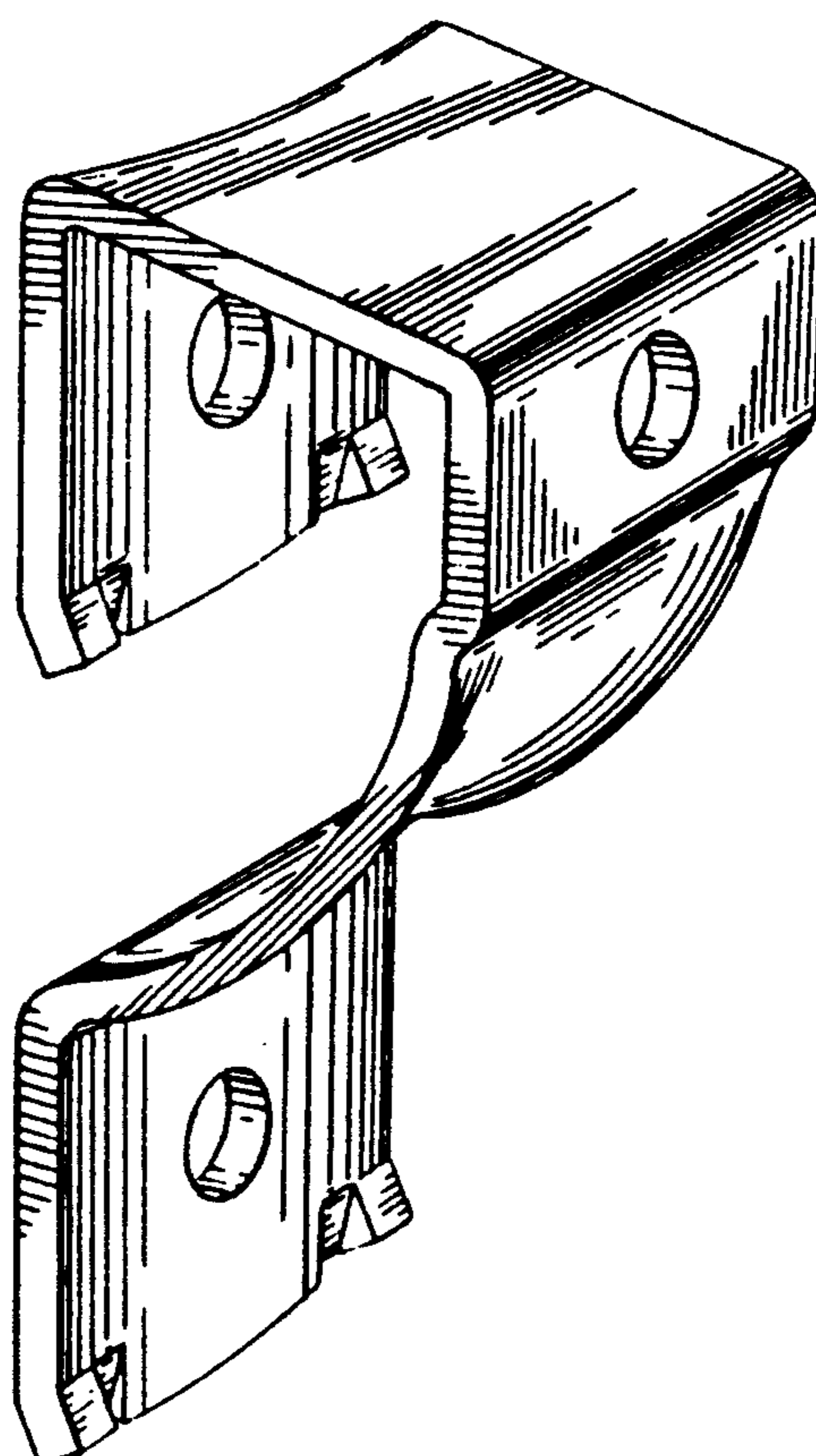
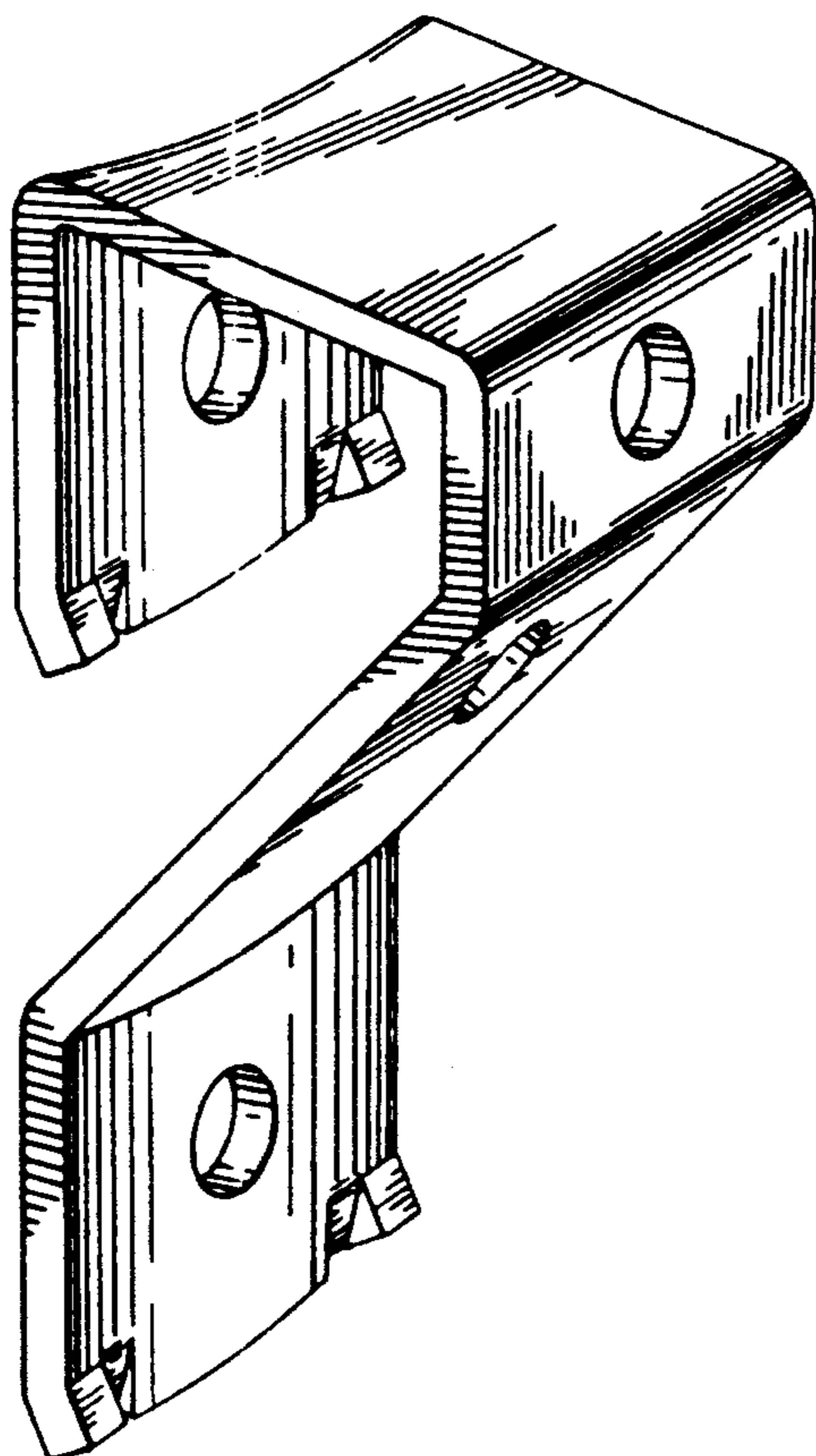
*Primary Examiner*—Wallace R. Burke  
*Assistant Examiner*—Holly H. Baynham  
*Attorney, Agent, or Firm*—Longacre & White

## [57] CLAIM

The ornamental design for a pole attachment bracket, as shown and described.

### DESCRIPTION

FIG. 1 is a left side, top and front perspective view of a pole attachment bracket showing my new design; FIG. 2 is a side elevational view thereof, the opposite side being a mirror image of that shown; FIG. 3 is a front elevational view thereof; FIG. 4 is a rear elevational view thereof; FIG. 5 is a top plan view thereof; FIG. 6 is a bottom plan view thereof; FIG. 7 is a left side, top and front perspective view of a pole attachment bracket showing another embodiment of my new design; FIG. 8 is a side elevational view thereof, the opposite side being a mirror image of that shown; FIG. 9 is a front elevational view thereof; FIG. 10 is a rear elevational view thereof; FIG. 11 is a top plan view thereof; and, FIG. 12 is a bottom plan view thereof.



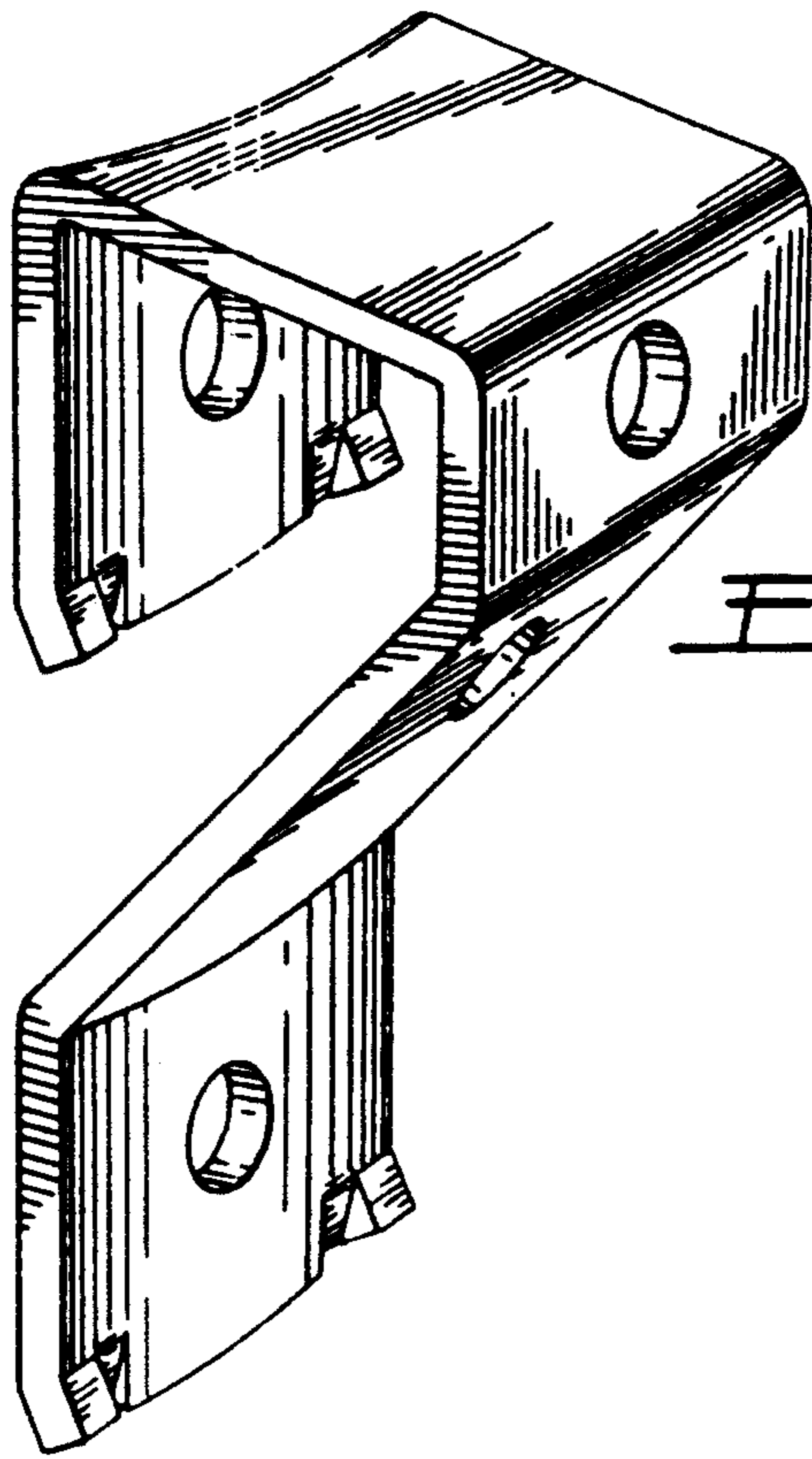


FIG. 1

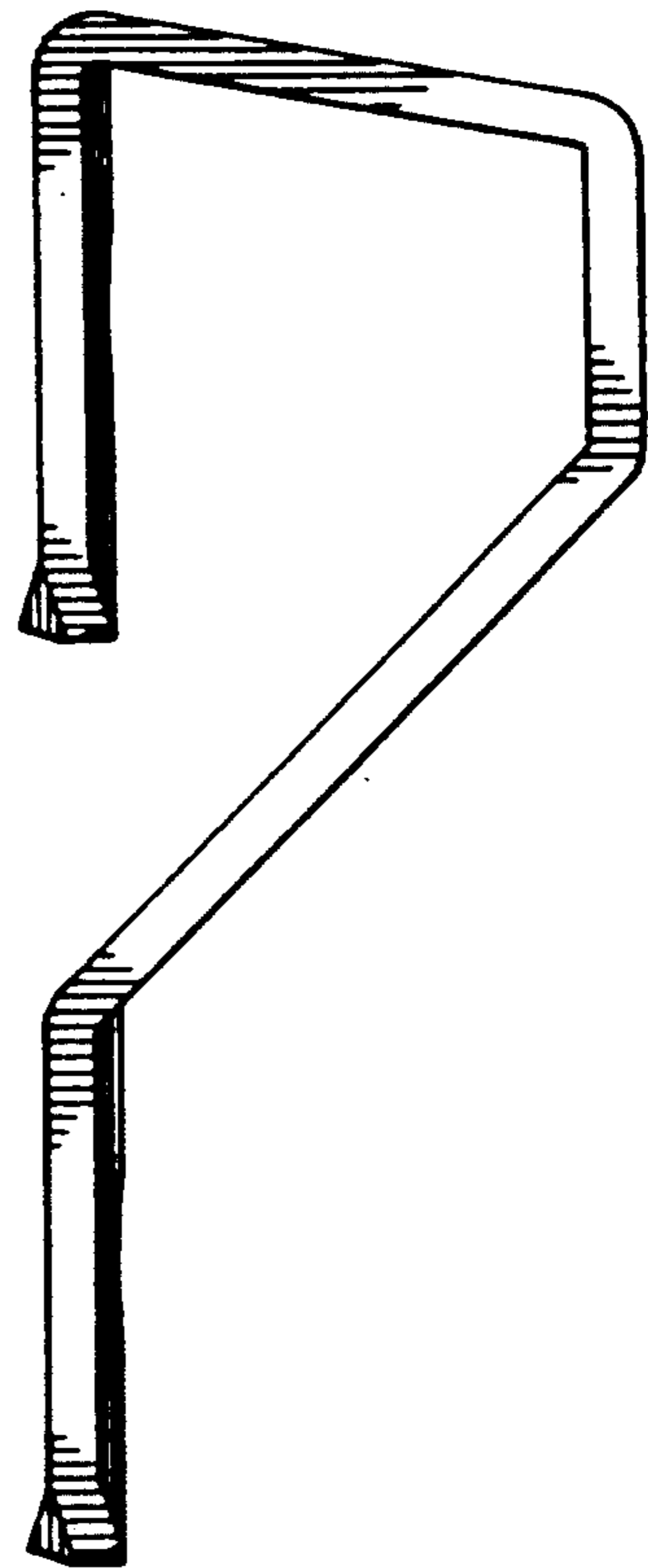


FIG. 2

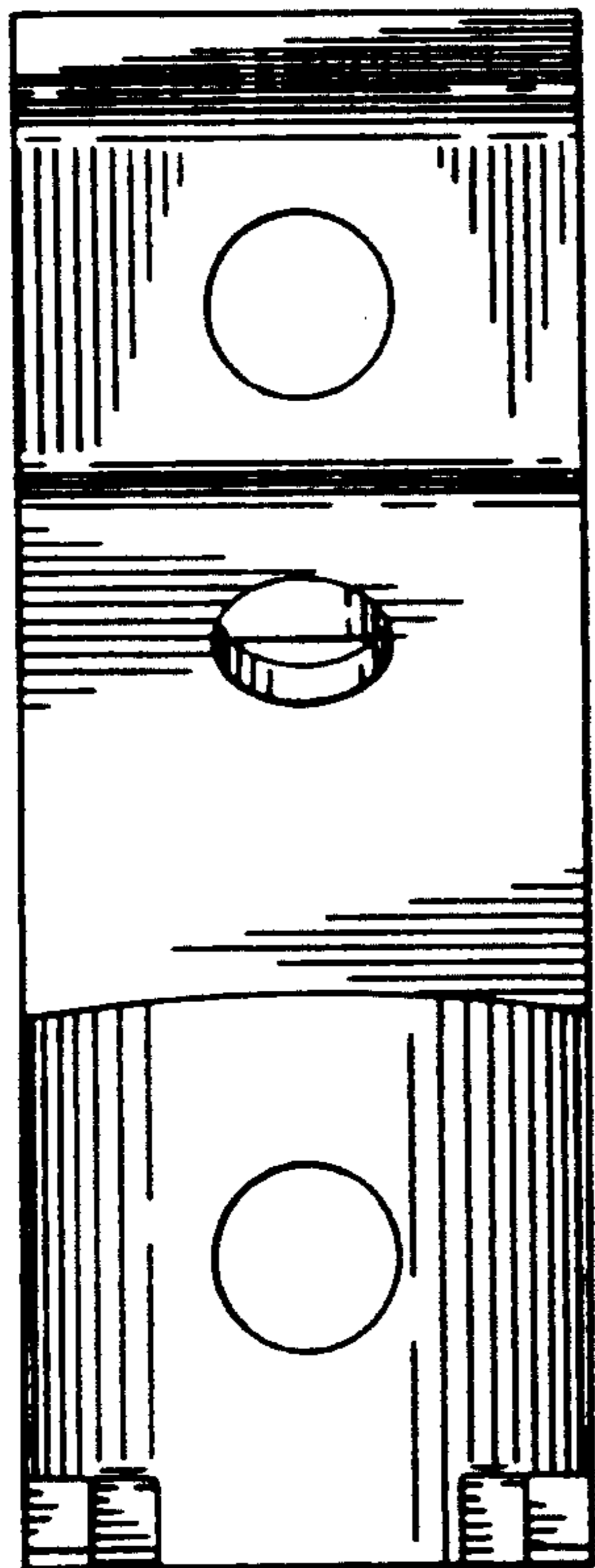


FIG. 3

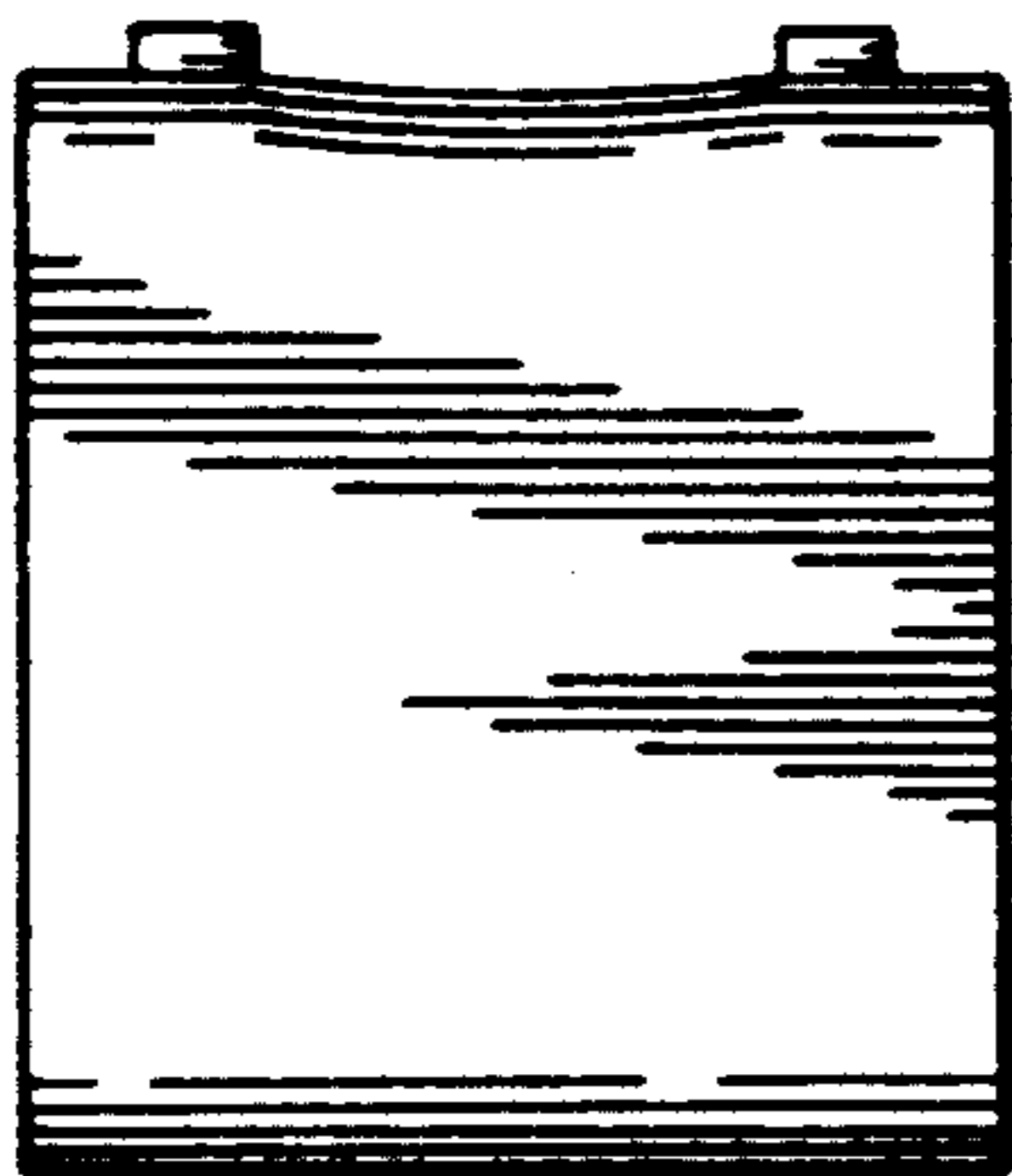


FIG. 5

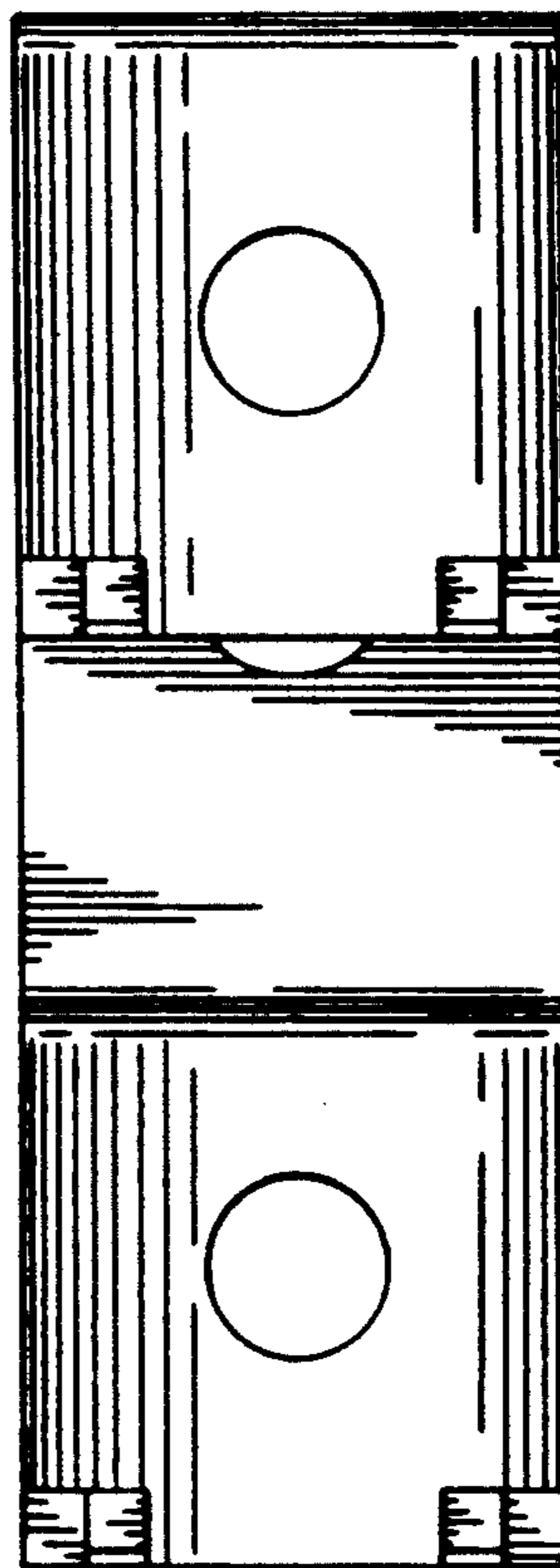


FIG. 4

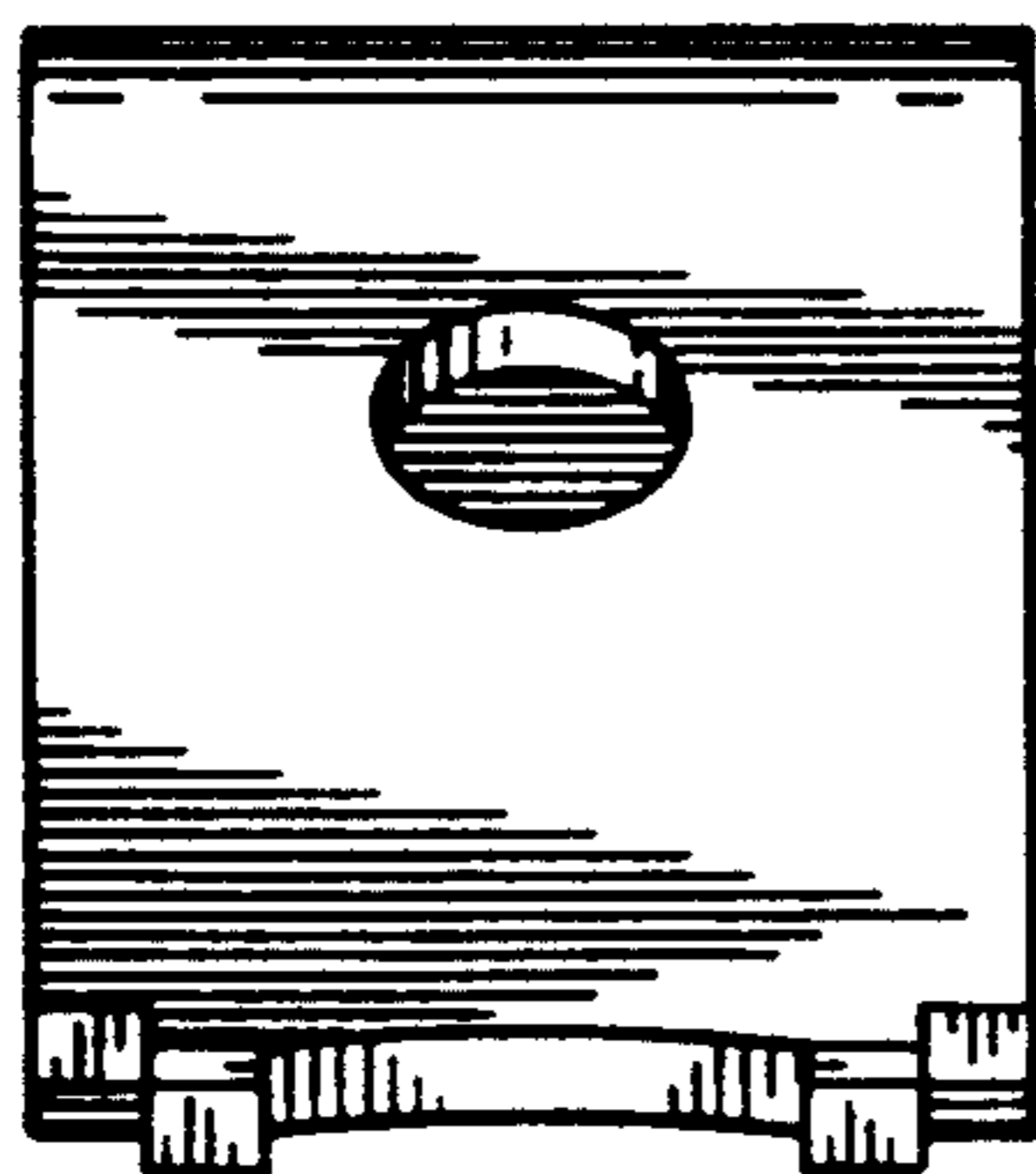


FIG. 6

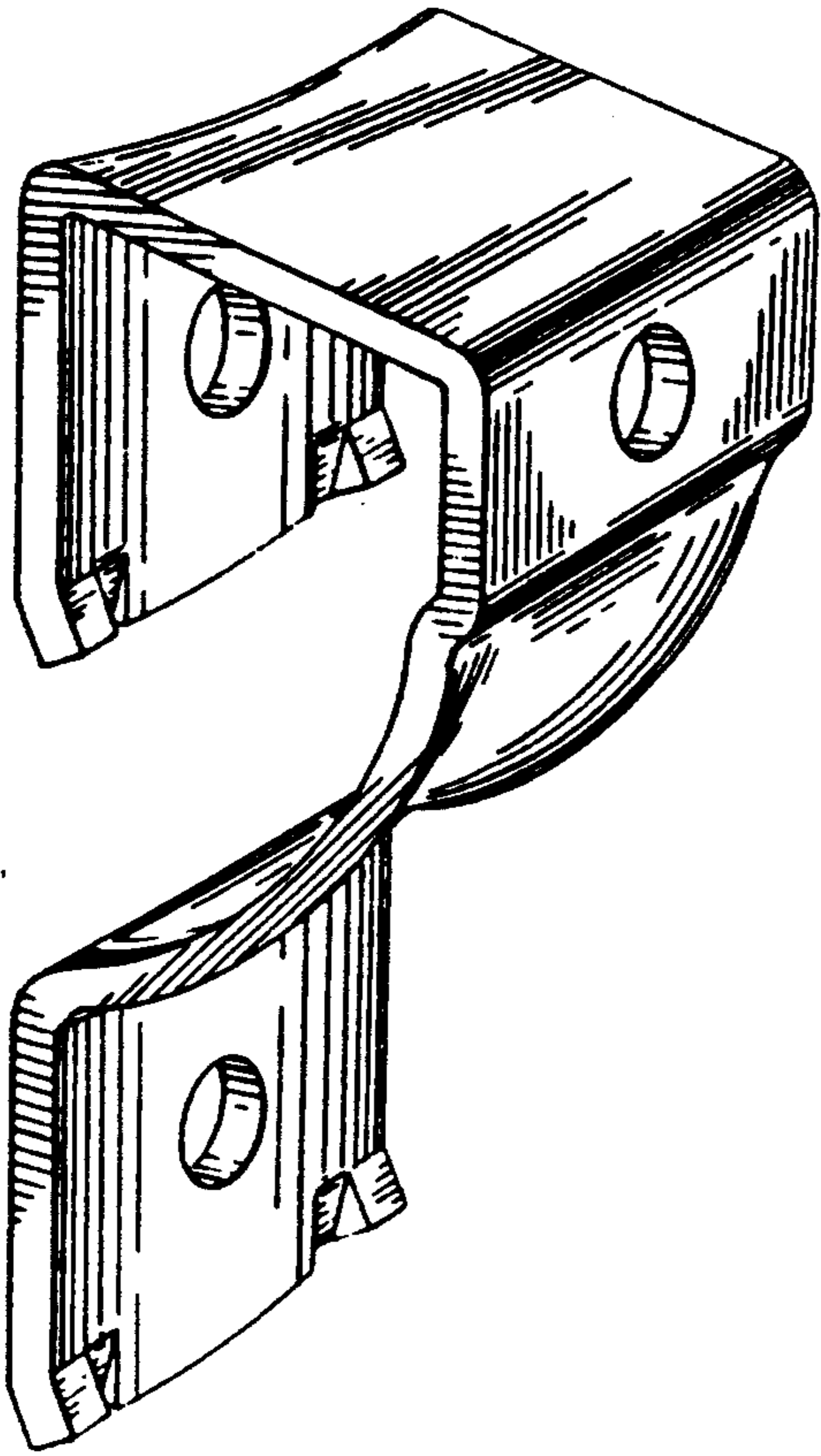


FIG. 7

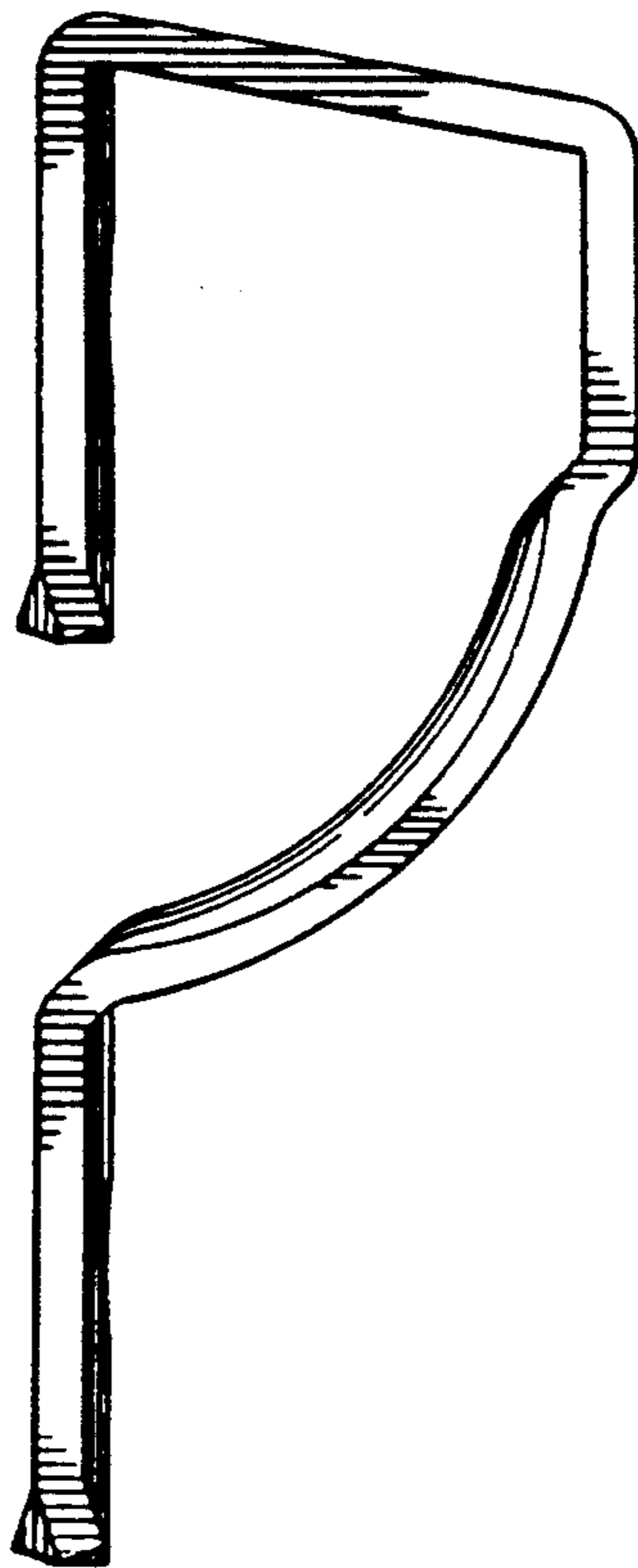


FIG. 8

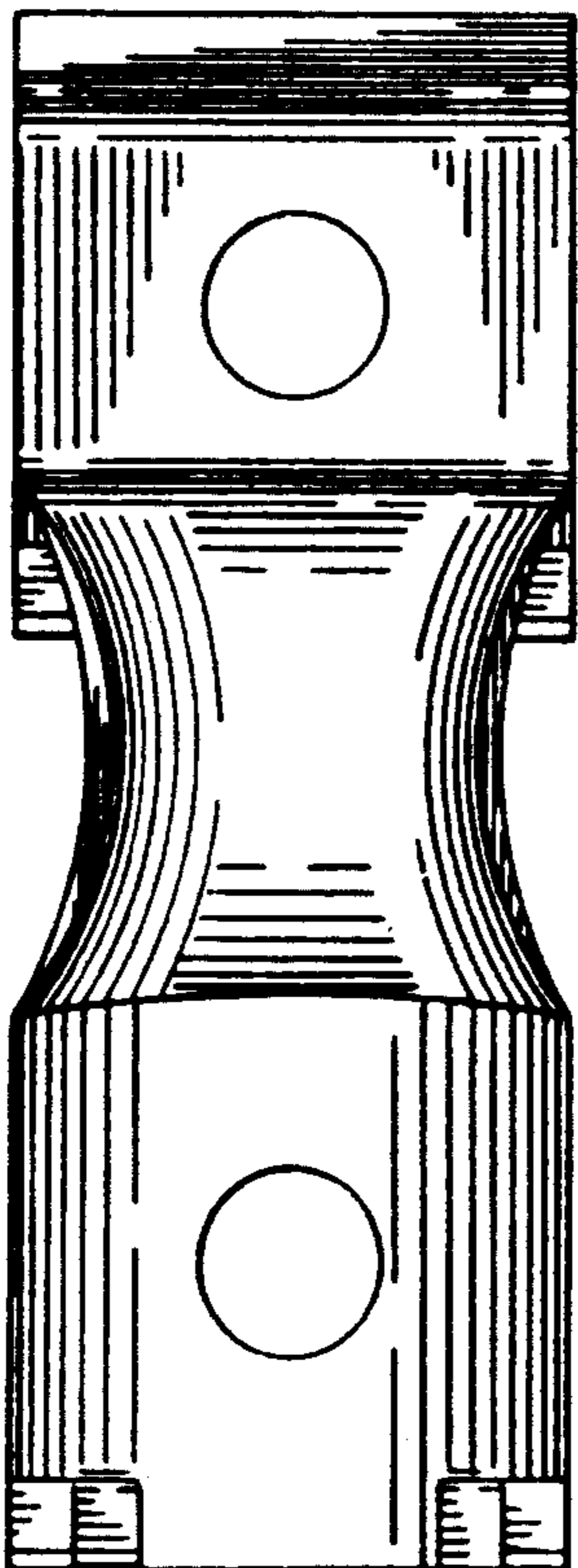


FIG. 9

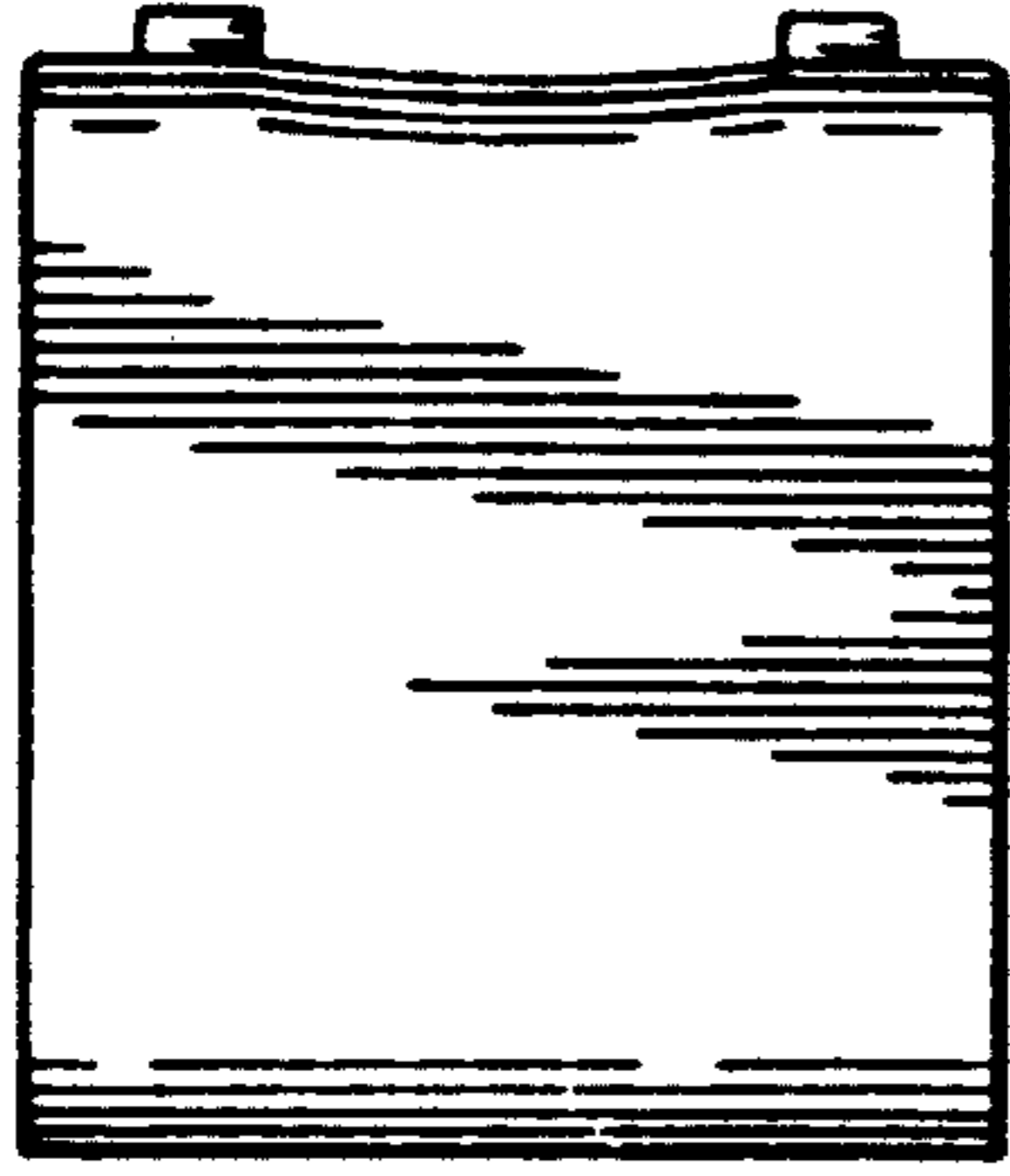


FIG. 11

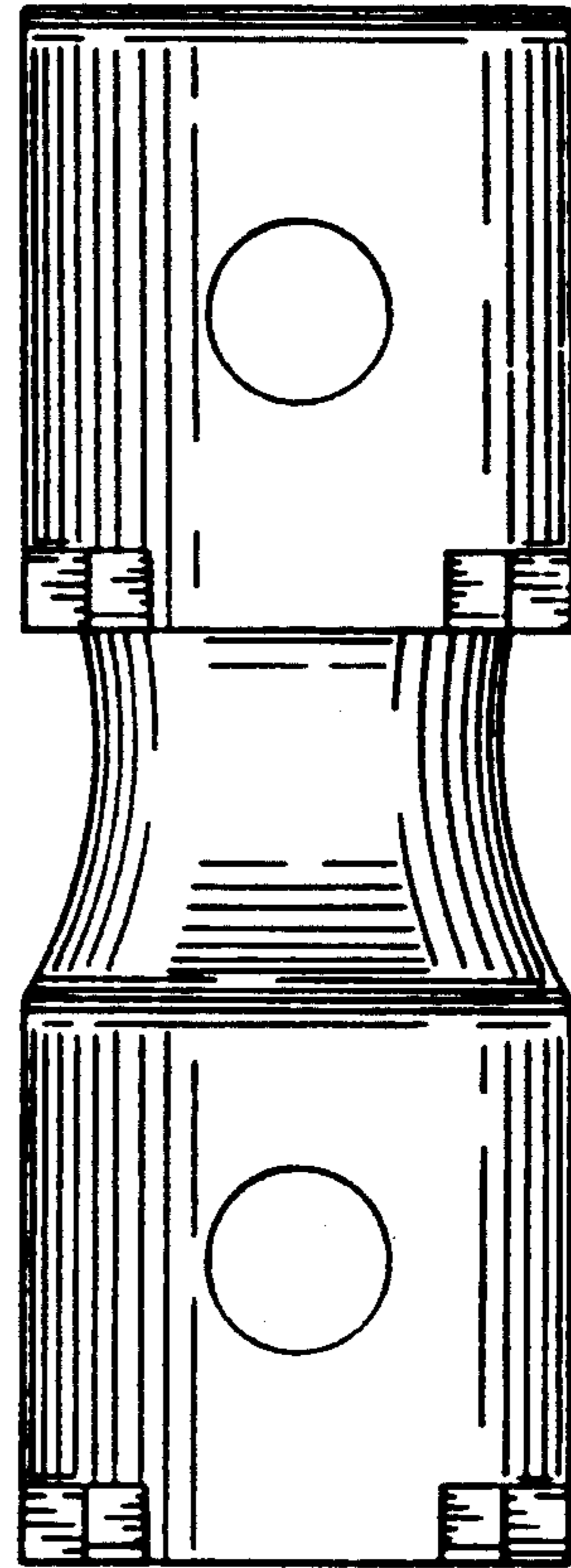


FIG. 10

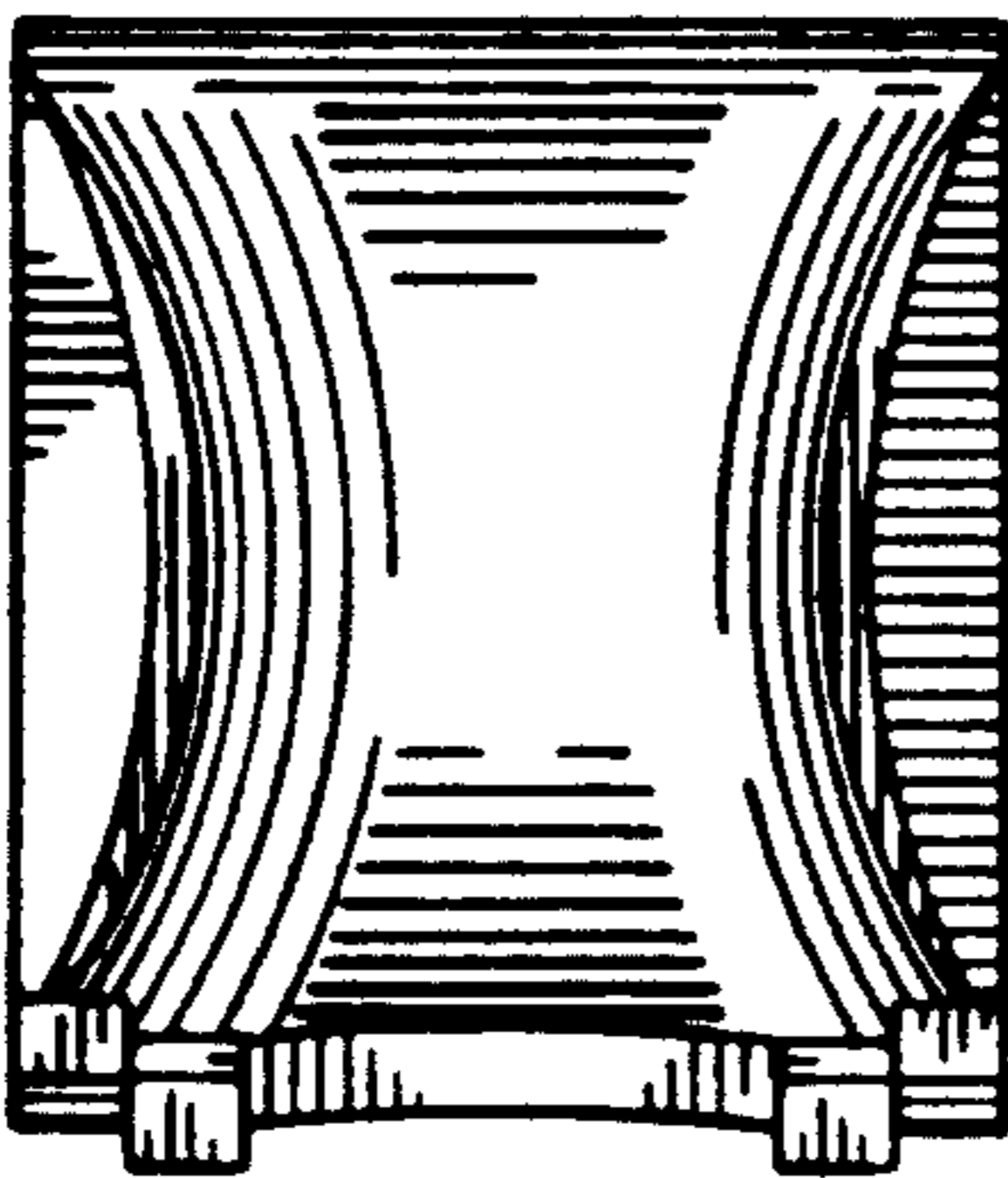


FIG. 12