



US00D344885S

# United States Patent [19]

[11] Patent Number: **Des. 344,885**

Loew

[45] Date of Patent: **\*\* Mar. 8, 1994**

[54] **DISPLAY HOOK**

3,070,339 12/1962 Schayer ..... D8/373 X  
4,382,571 5/1983 Horen ..... 248/235

[75] Inventor: **Jonathon A. Loew, East Meadow, N.Y.**

*Primary Examiner*—Wallace R. Burke  
*Assistant Examiner*—H. Baynham  
*Attorney, Agent, or Firm*—Steinberg & Raskin

[73] Assignee: **Design Display Group, Carlstadt, N.J.**

[\*\*] Term: **14 Years**

[57] **CLAIM**

[21] Appl. No.: **900,099**

The ornamental design for a display hook, as shown and described.

[22] Filed: **Jun. 16, 1992**

**DESCRIPTION**

[52] U.S. Cl. .... **D8/373; D8/381**

[58] Field of Search ..... **D8/373, 381; 248/235, 248/243**

FIG. 1 is a perspective view of a display hook showing my new design with the broken line showing of an article being for illustrative purposes only and forming no part of the claimed design;

[56] **References Cited**

**U.S. PATENT DOCUMENTS**

- D. 198,318 6/1964 Grasso ..... D8/373
- D. 294,799 3/1988 Vilkofsky, Jr. .... D8/373 X
- D. 300,301 3/1989 Furst et al. .... D8/367 X
- D. 318,548 7/1991 Latham ..... D8/373 X

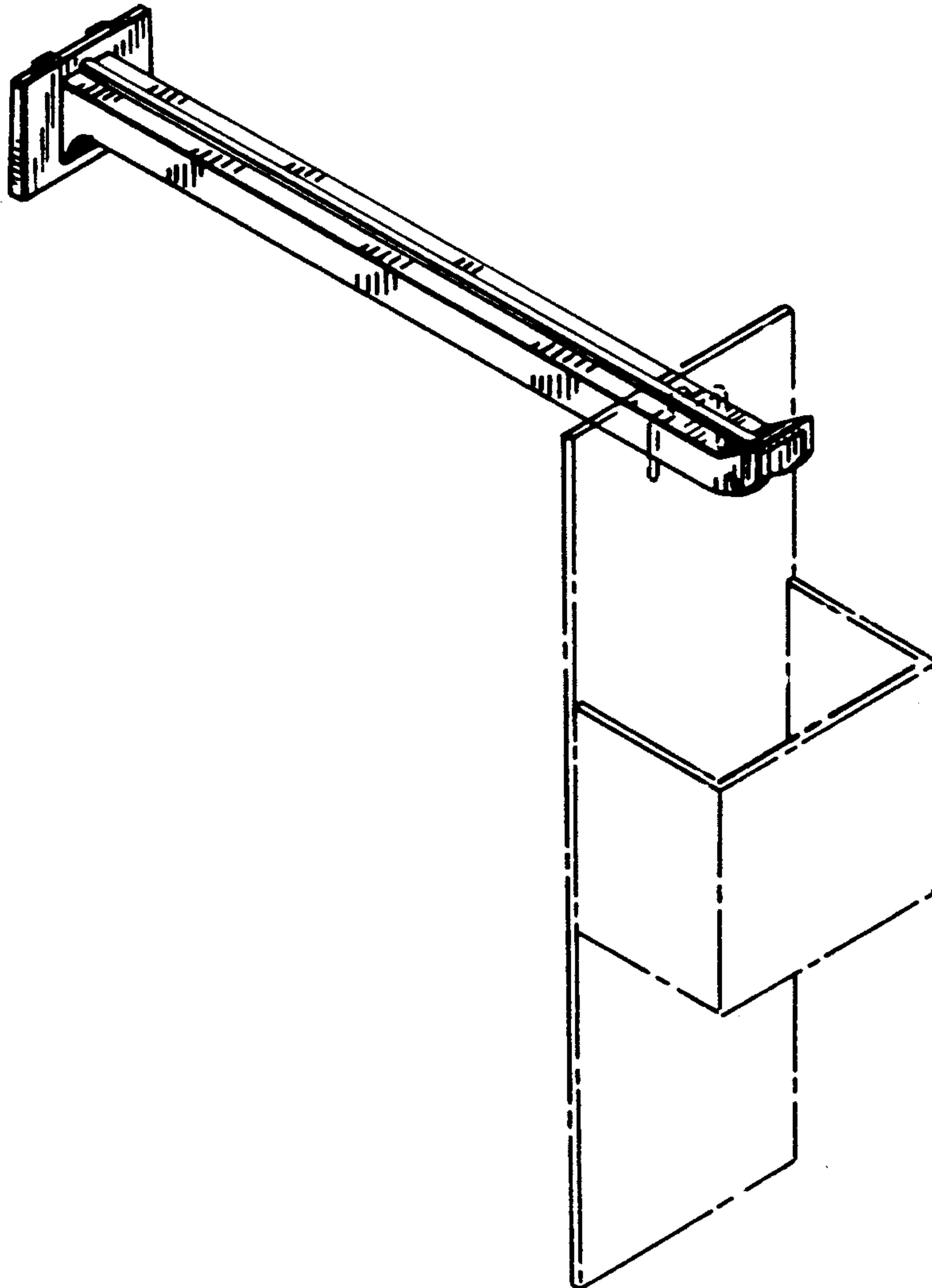
FIG. 2 is a front elevational view thereof;

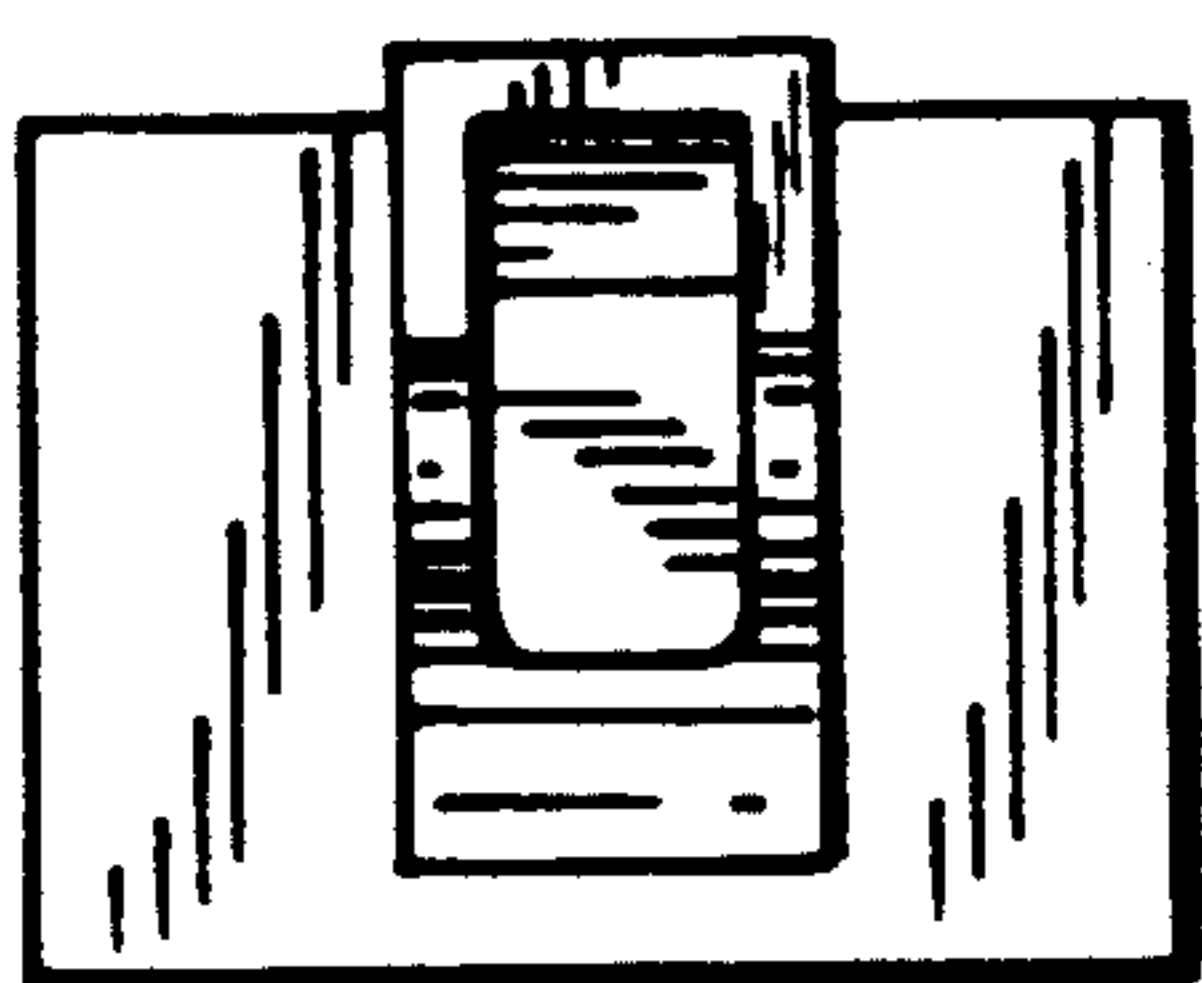
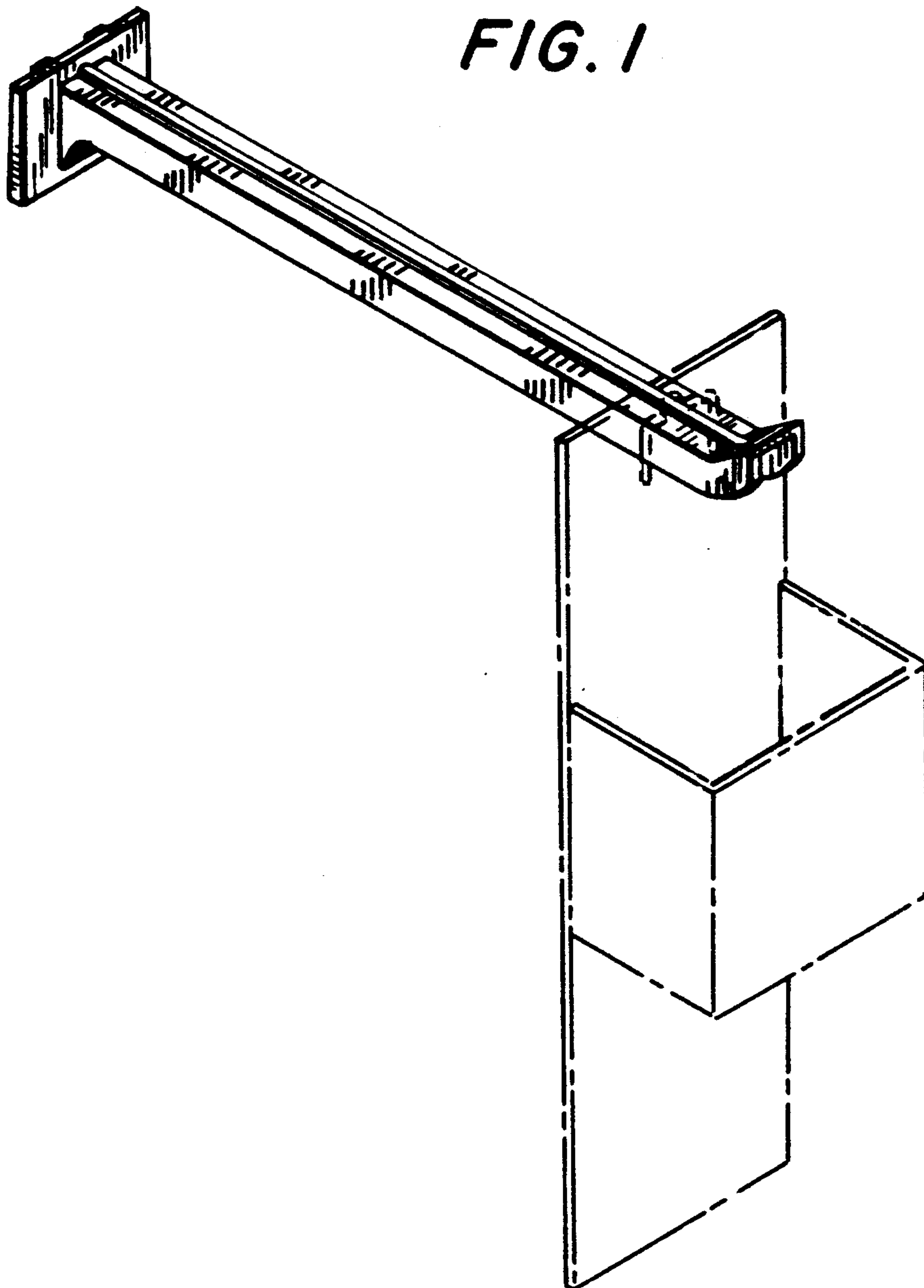
FIG. 3 is a top plan view thereof;

FIG. 4 is a side elevational view thereof with the opposite side being a mirror image thereof;

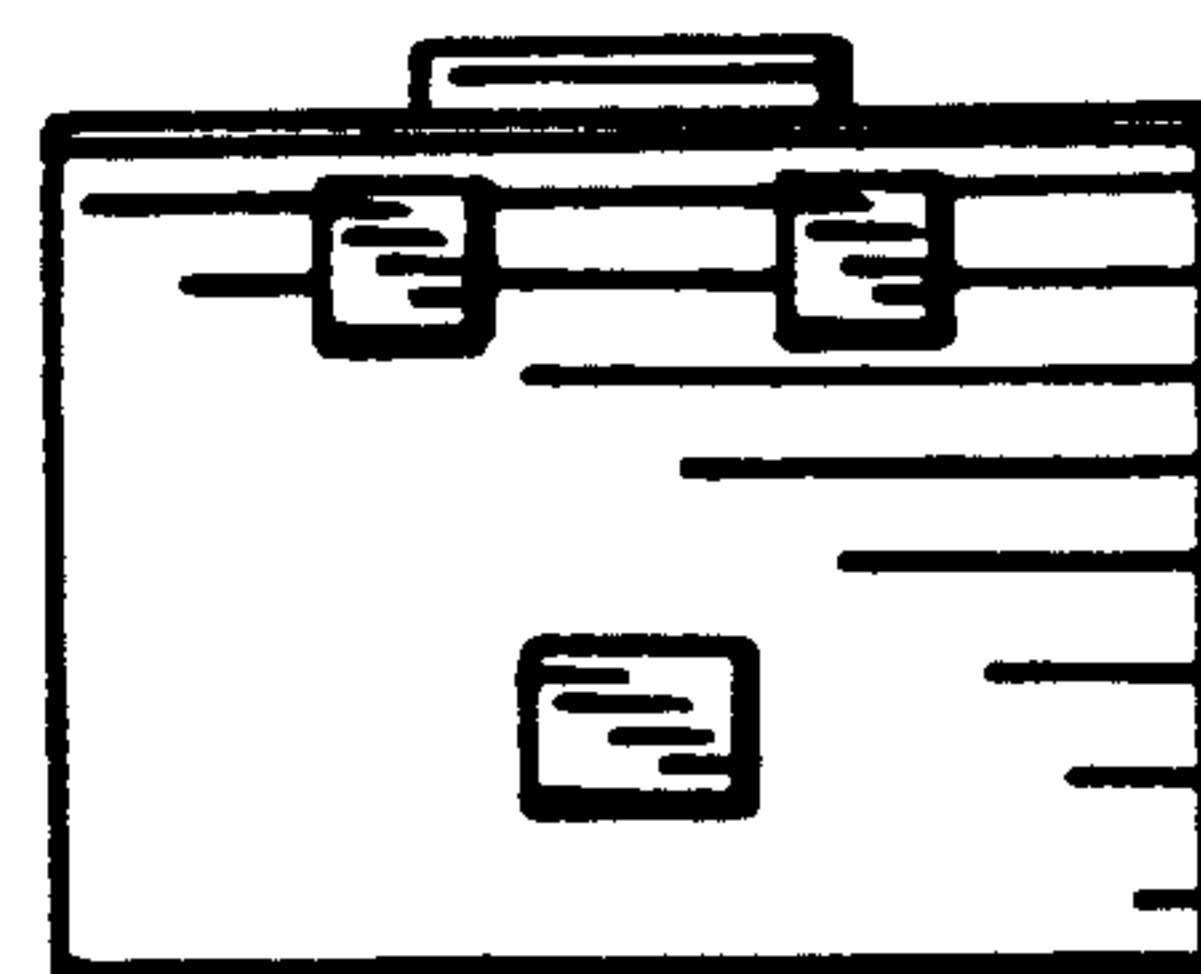
FIG. 5 is a bottom plan view thereof; and,

FIG. 6 is a rear elevational view thereof.





*FIG. 2*



*FIG. 6*

