



US00D344884S

United States Patent [19]

[11] Patent Number: **Des. 344,884**

Wilkerson

[45] Date of Patent: **** Mar. 8, 1994**

[54] **CABLE REEL**

[57] **CLAIM**

[76] Inventor: **Donald W. Wilkerson, 2076 Country Club Rd., Mooresville, Ind. 46158**

The ornamental design for a cable reel, as shown and described.

[**] Term: **14 Years**

DESCRIPTION

[21] Appl. No.: **893,527**

[22] Filed: **Jun. 4, 1992**

[52] U.S. Cl. **D8/359**

[58] Field of Search **D8/359, 358; 242/86.5 R, 129, 128**

FIG. 1 is a perspective view of a cable reel showing my new design;
FIG. 2 is a top plan view thereof;
FIG. 3 is a front elevational view thereof;
FIG. 4 is a left-hand side view thereof;
FIG. 5 is a rear view thereof;
FIG. 6 is a right-hand side view thereof; and,
FIG. 7 is a bottom view thereof.

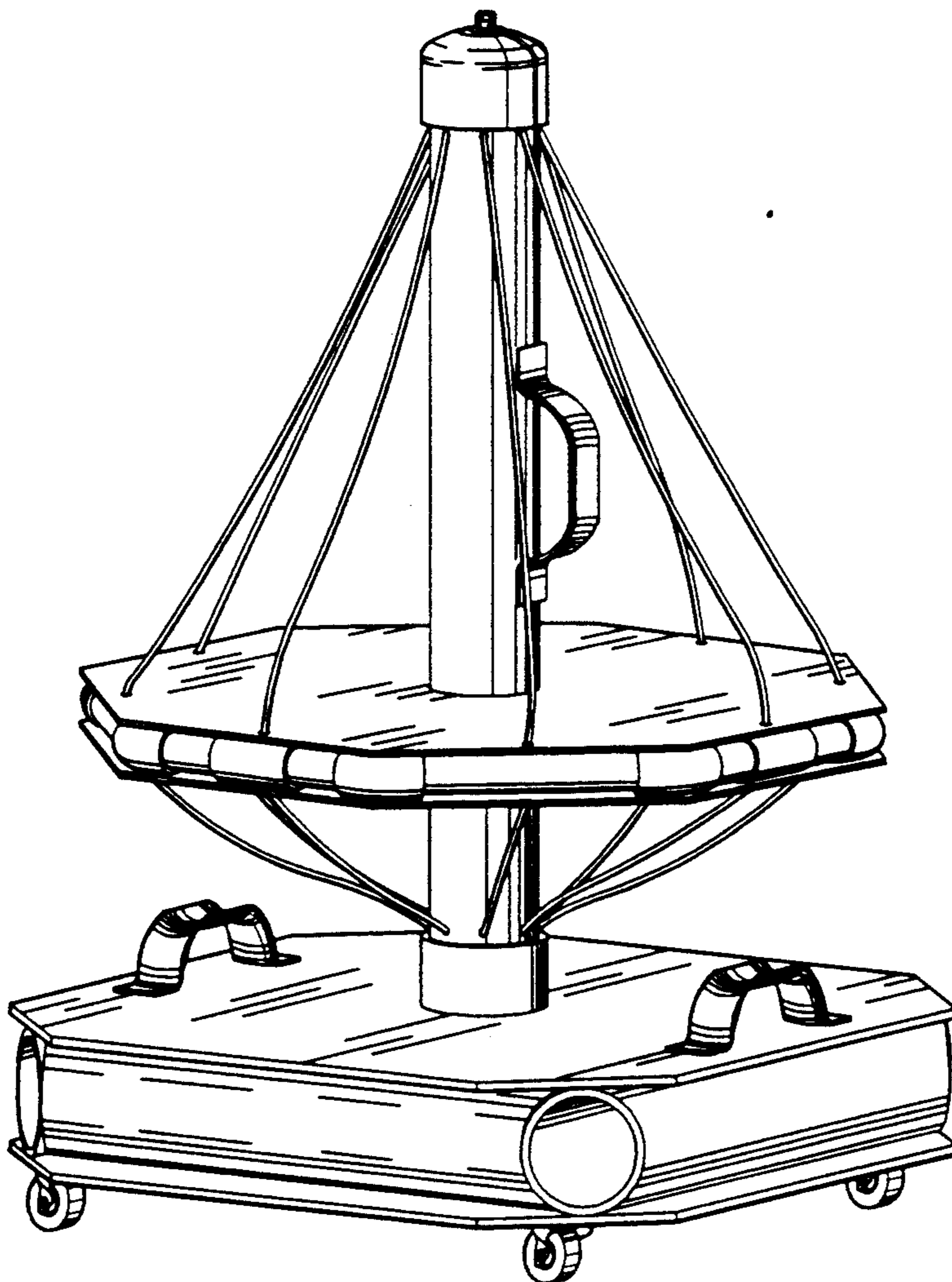
[56] **References Cited**

U.S. PATENT DOCUMENTS

4,068,971	1/1978	McNeill	242/129 X
4,340,193	7/1982	Zitzman	242/129 X
4,664,331	5/1987	Halbrook	242/86.5 R
4,901,937	2/1990	Mendoza	242/86.5 R

The cable holding portion including the generally cylindrical center post with the array of circularly spaced flexible cords and the cord spreader is rotatable with respect to the base and removable from the base, the rotatable feature being indicated by the slightly indexed position of the cable holding portion which is readily observable in FIG. 2 where the edges of the octagon of the cord spreader are slightly askew with respect to vertical planes containing the edges of the base plates.

Primary Examiner—Wallace R. Burke
Assistant Examiner—H. Baynham
Attorney, Agent, or Firm—Woodard, Emhardt, Naughton, Moriarty & McNett



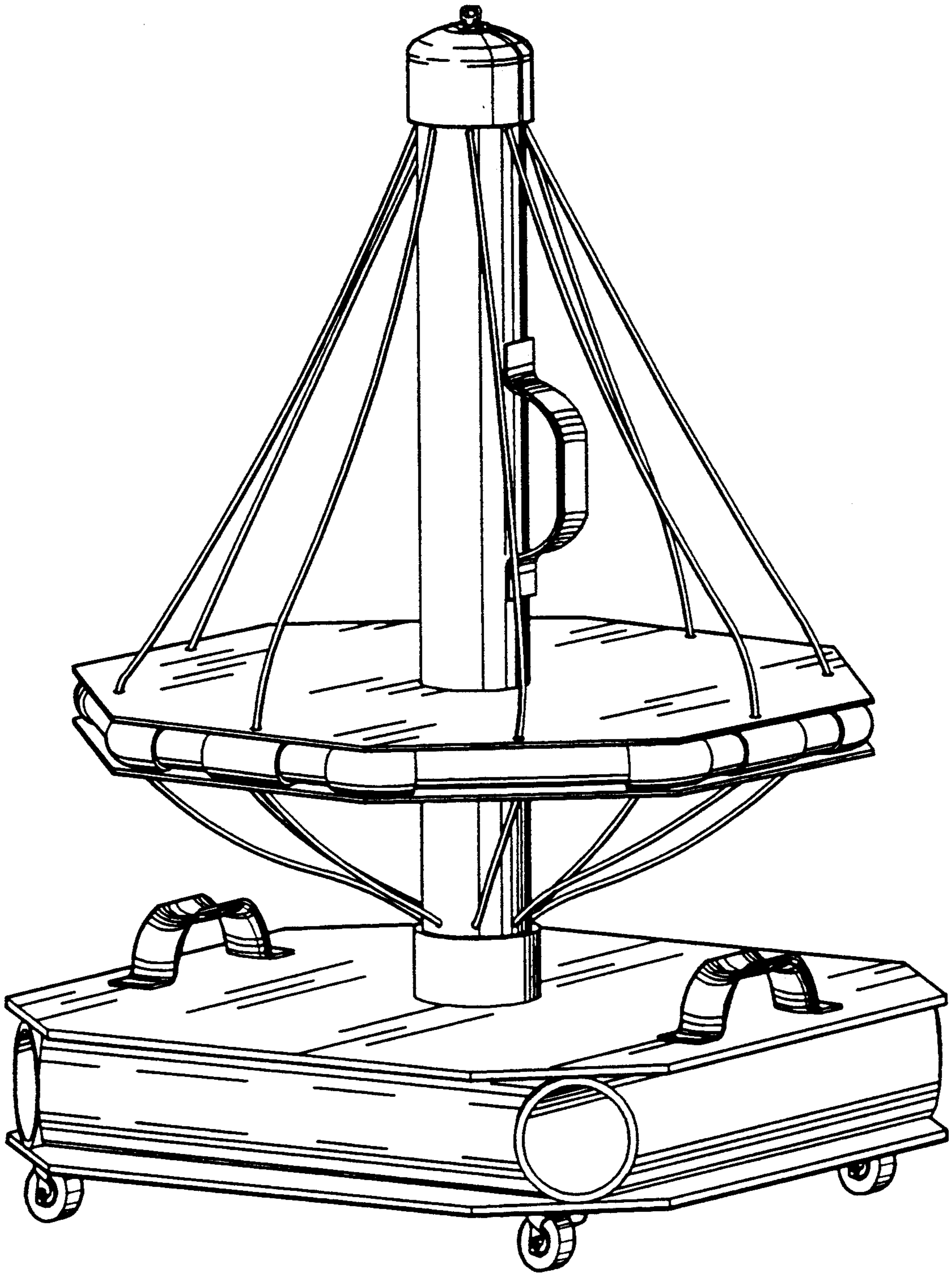


Fig. 1

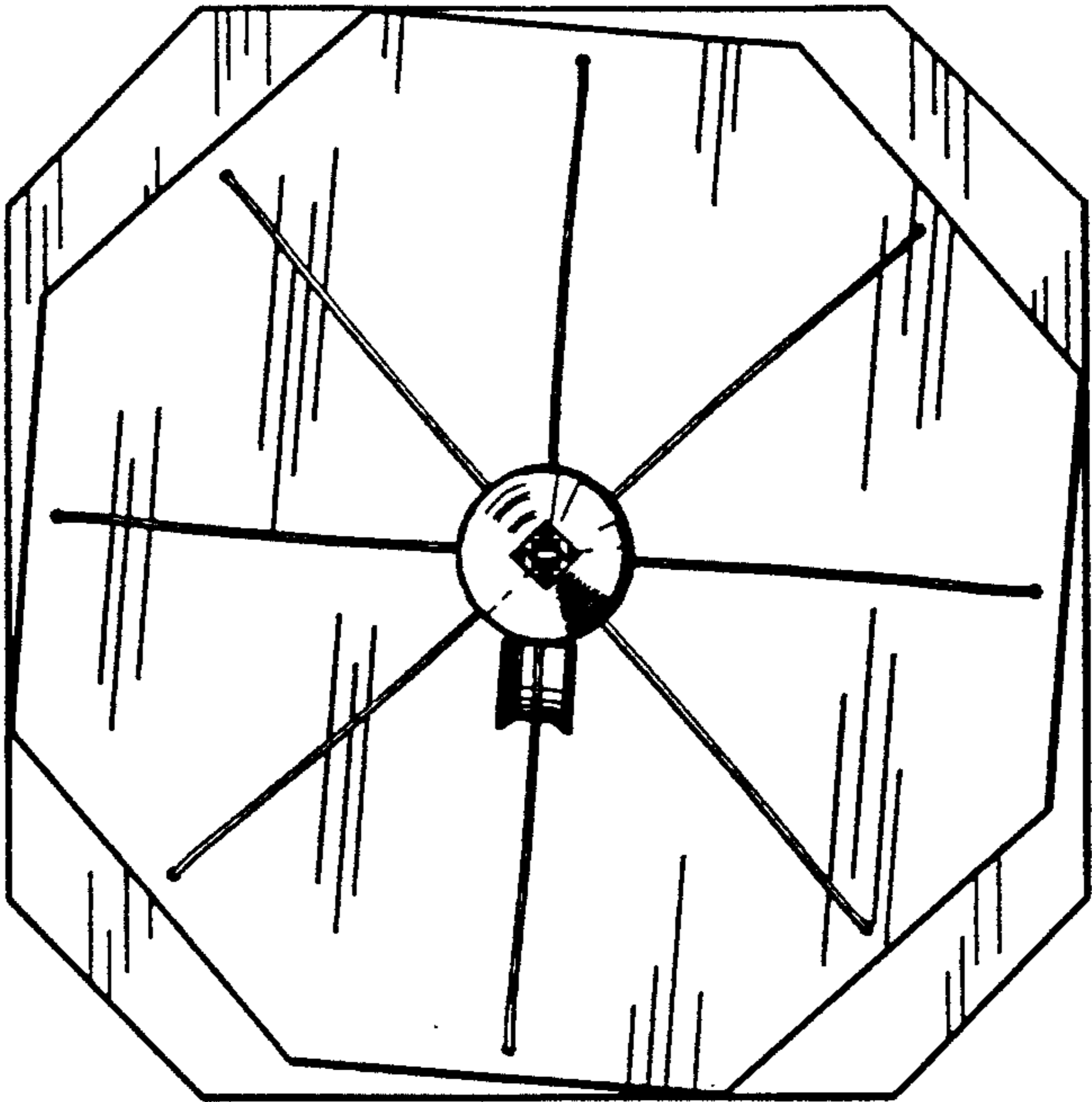


Fig. 2

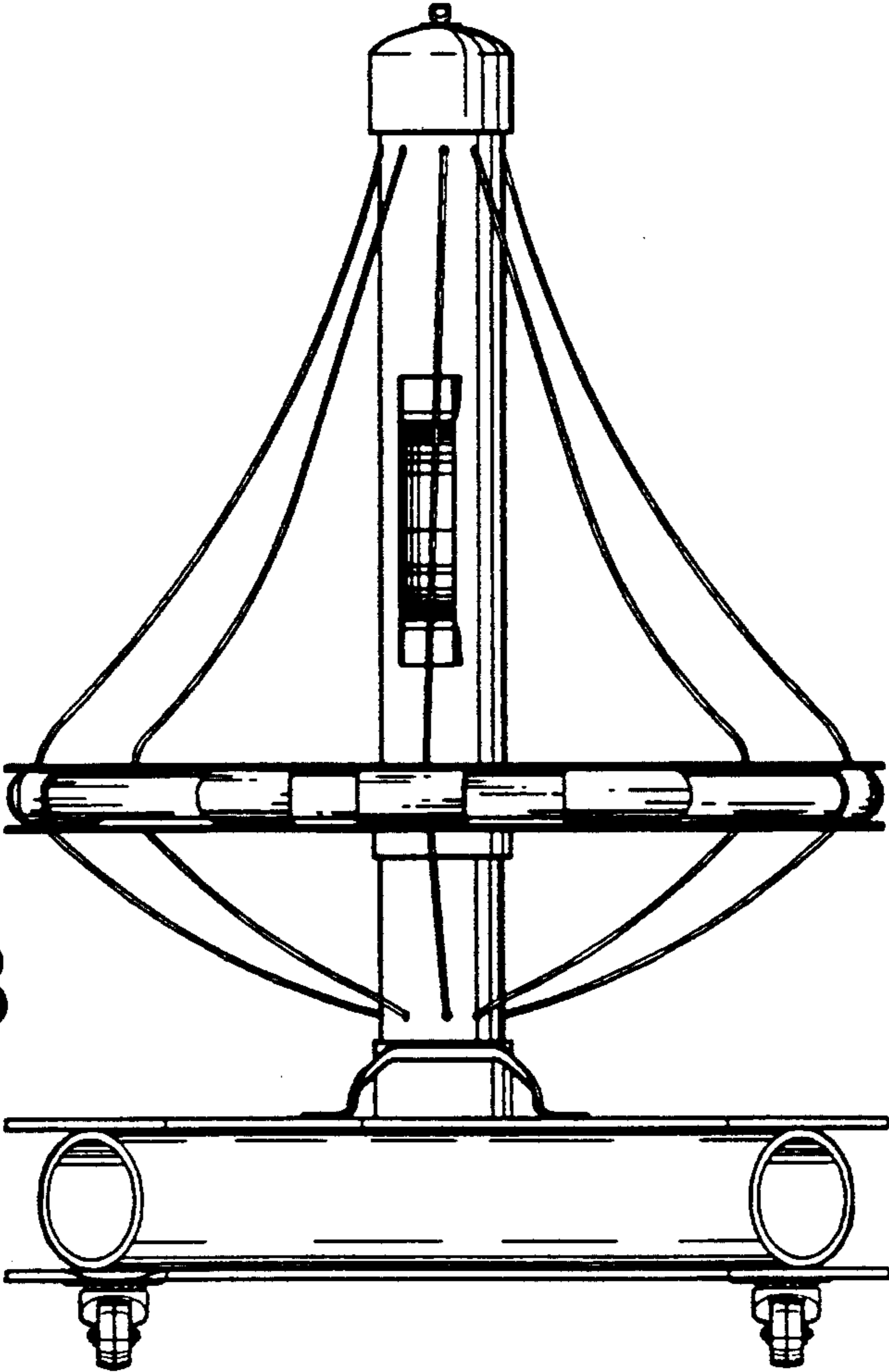


Fig. 3

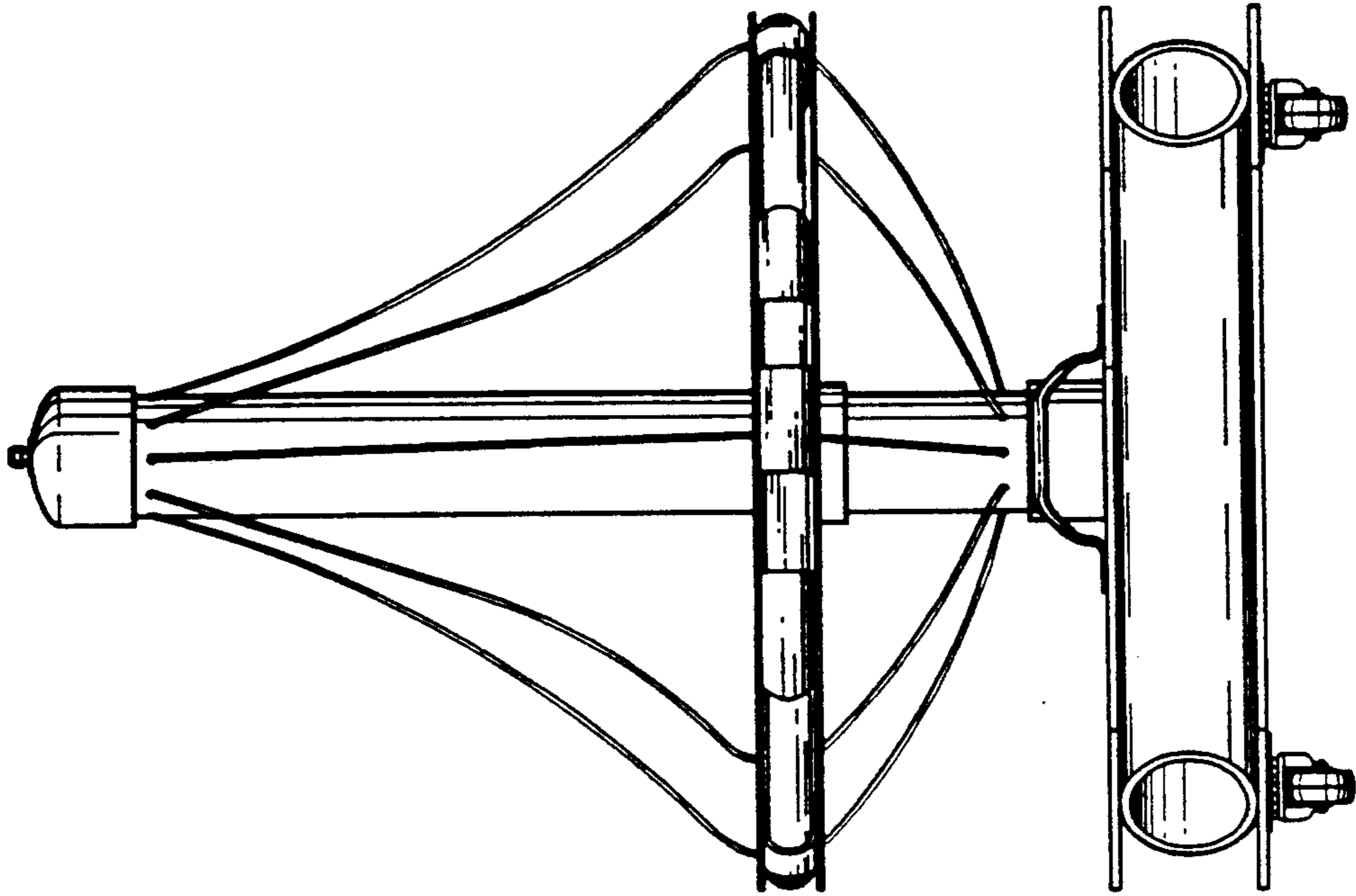


Fig. 5

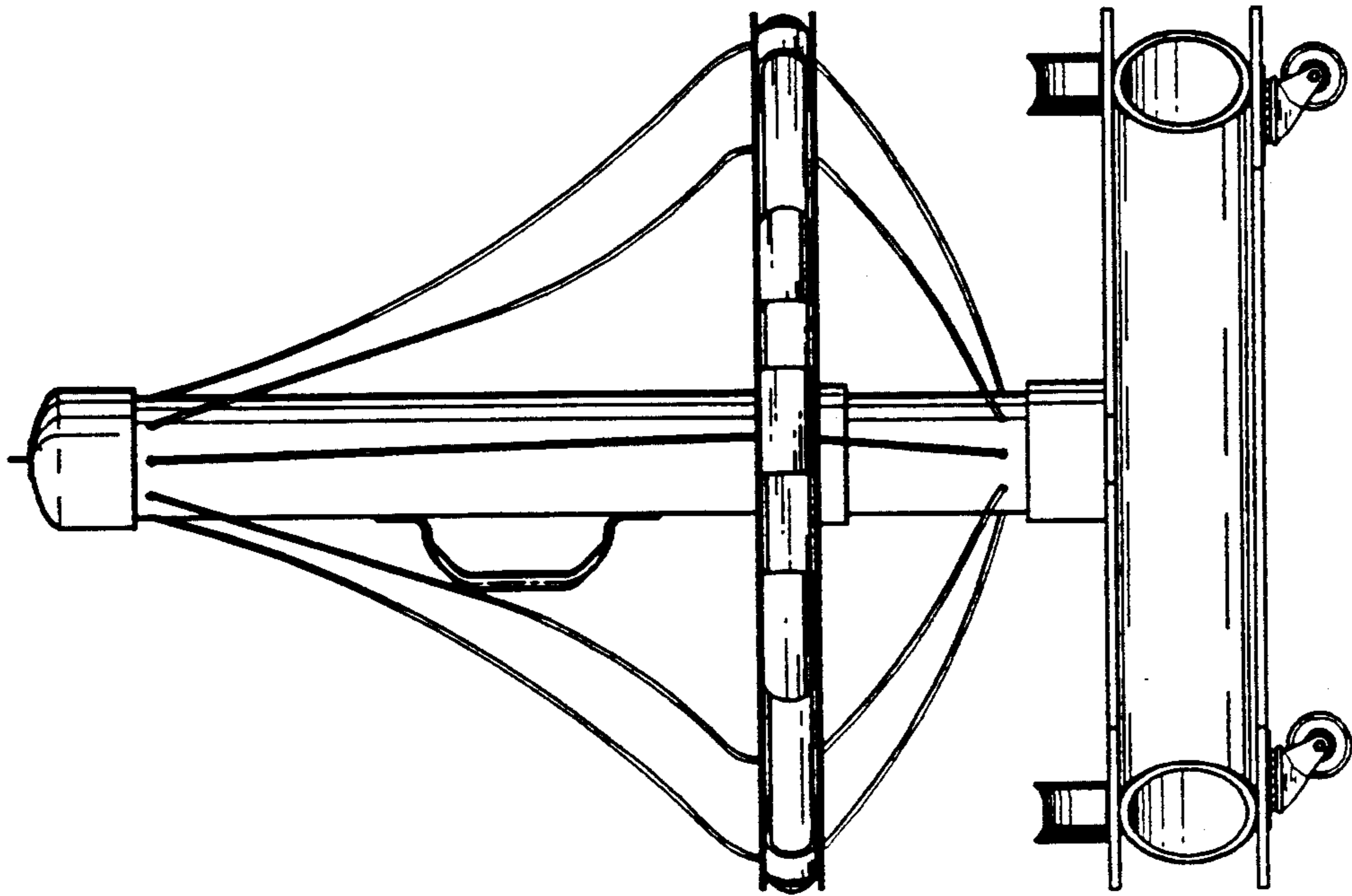


Fig. 4

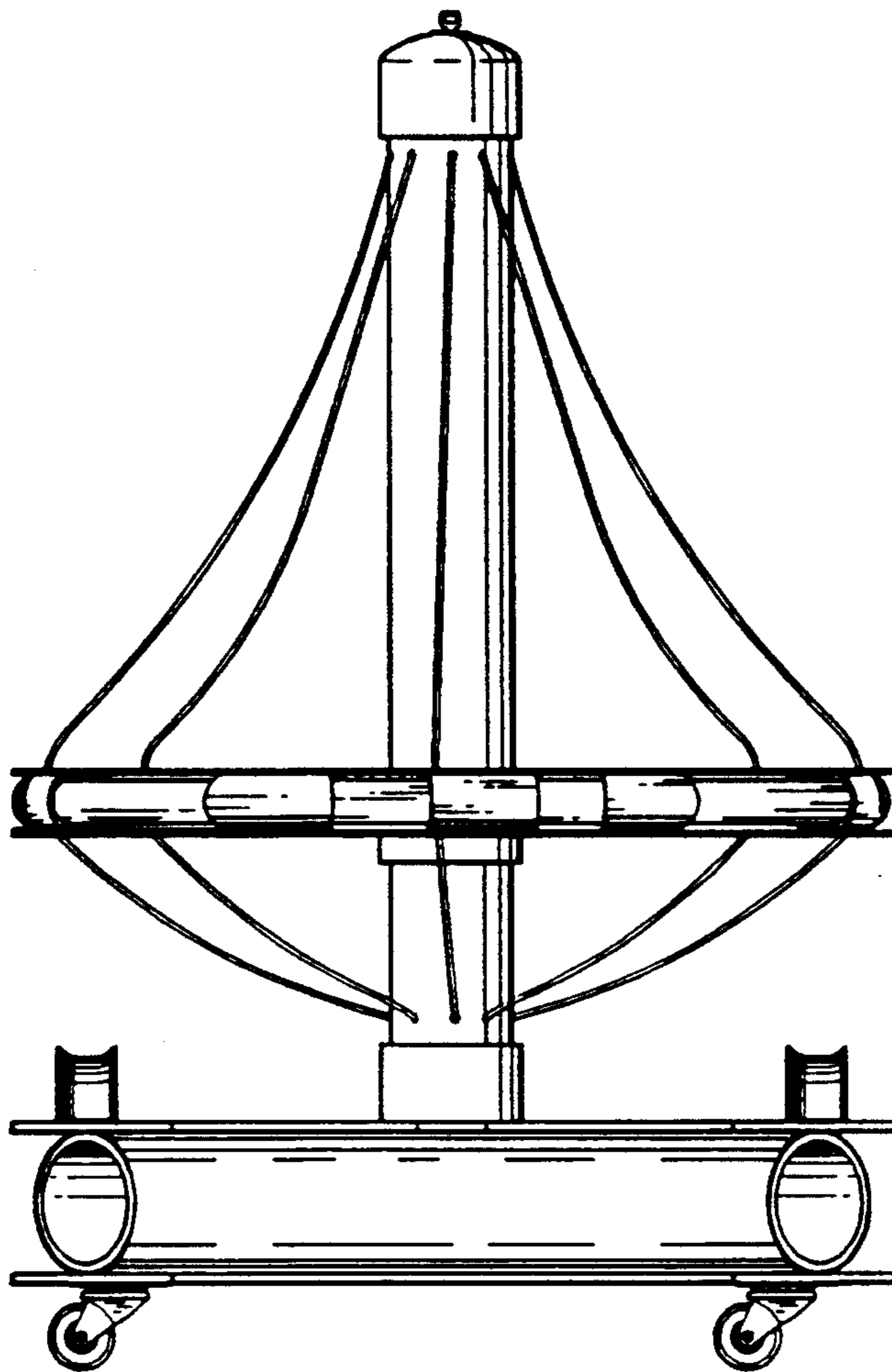


Fig. 6

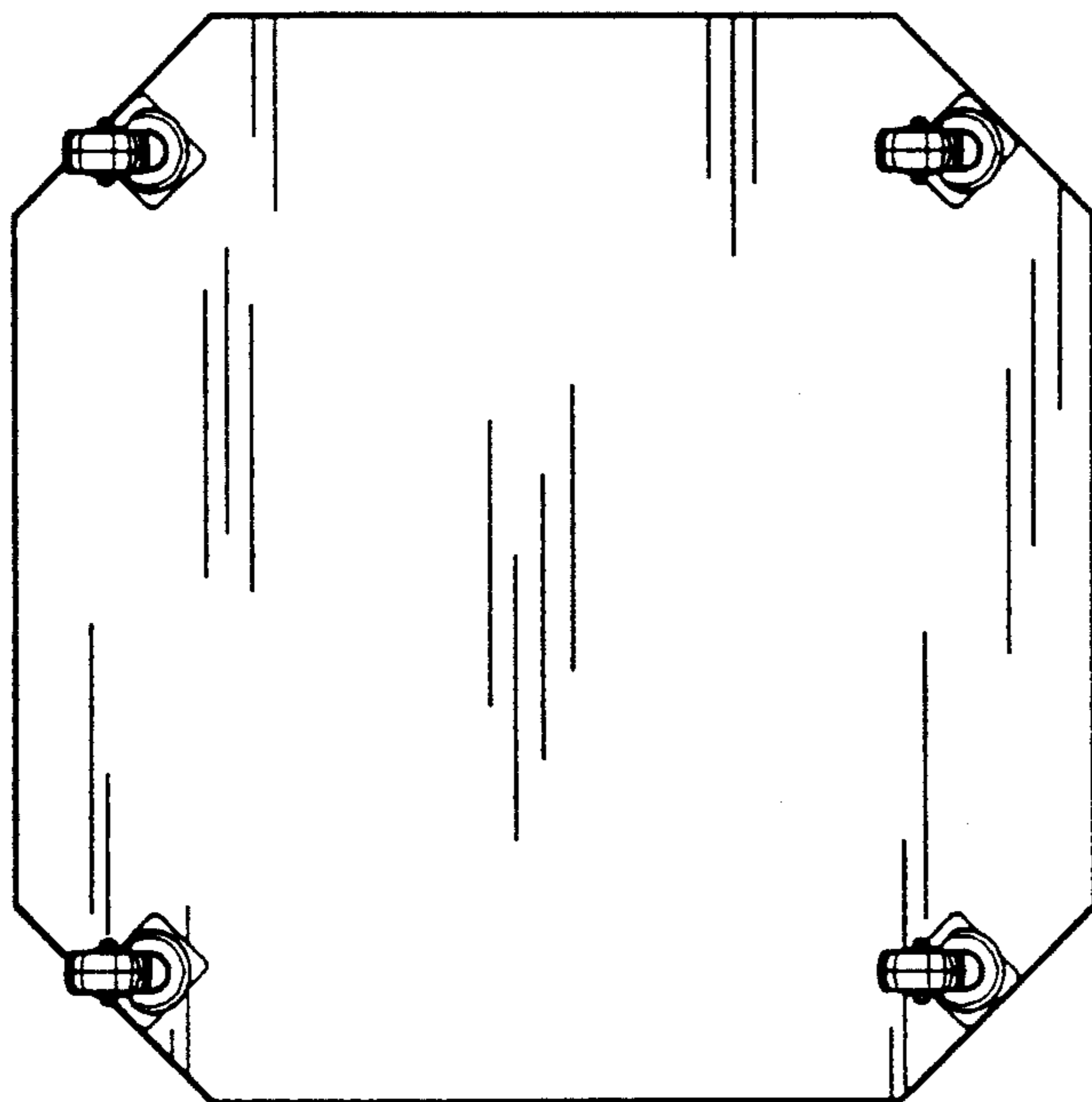


Fig. 7