



US00D344882S

United States Patent [19]

[11] Patent Number: Des. 344,882

Doyle et al.

[45] Date of Patent: ** Mar. 8, 1994

[54] SELF LATCHING DEVICE

DESCRIPTION

[76] Inventors: **David Doyle**, 7/30 Young Street, Cremorne, New South Wales, 2089; **Neil Dunne**, 5/19-23 Cairo Street, Cammeray, New South Wales, 2250, both of Australia

[**] Term: **14 Years**

[21] Appl. No.: **856,327**

[22] Filed: **Mar. 20, 1992**

[52] U.S. Cl. **D8/339**

[58] Field of Search **D8/330, 331, 339, 341; 292/137, 183-184, 145-150, DIG.55, 251.5**

[56] References Cited

U.S. PATENT DOCUMENTS

D. 283,672	5/1986	Greco	D8/331
D. 293,878	1/1988	Kayser	D8/339
D. 338,609	8/1993	Ryan	D8/331
2,514,927	7/1950	Bernhard	292/1
2,690,349	9/1954	Teetor	292/251.5
2,942,907	6/1960	Nagel et al.	292/251.1
3,516,701	6/1970	Graham	292/144
4,848,812	7/1989	Slaughter	292/144

FOREIGN PATENT DOCUMENTS

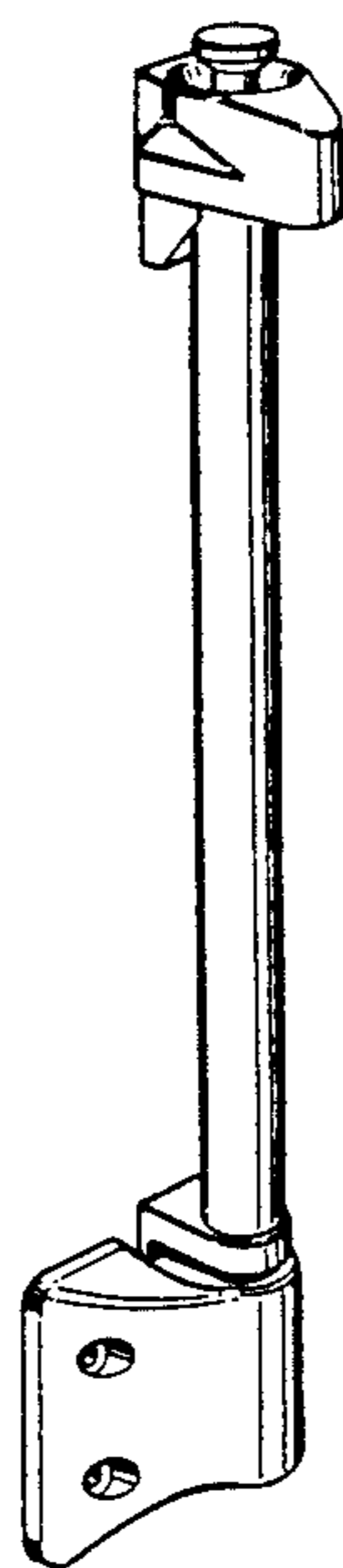
138996	10/1950	Australia .
1108996	4/1968	United Kingdom .

Primary Examiner—Brian N. Vinson
Attorney, Agent, or Firm—David L. Davis

[57] CLAIM

The ornamental design for a self latching device, as shown and described.

FIG. 1 is a top, front, and left side perspective view of a self latching device showing our new design; FIG. 2 is a front elevational view thereof; FIG. 3 is a top plan view thereof; FIG. 4 is a bottom plan view thereof; FIG. 5 is a right side elevational view thereof; FIG. 6 is a rear elevational view thereof; FIG. 7 is a left side elevational view thereof; FIG. 8 is an enlarged top, front, and left side perspective view of the retaining member thereof; FIG. 9 is an enlarged front elevational view of the retaining member thereof; FIG. 10 is an enlarged top plan view of the retaining member thereof; FIG. 11 is an enlarged bottom plan view of the retaining member thereof; FIG. 12 is an enlarged left side elevational view of the retaining member thereof; FIG. 13 is an enlarged rear elevational view of the retaining member thereof; FIG. 14 is an enlarged right side elevational view of the retaining member thereof; FIG. 15 is a top, front, and left side perspective view of the latching member thereof; FIG. 16 is a front elevational view of the latching member thereof; FIG. 17 is a top plan view of the latching member thereof; FIG. 18 is a bottom plan view of the latching member thereof; FIG. 19 is a right side elevational view of the latching member thereof; FIG. 20 is a rear elevational view of the latching member thereof; and, FIG. 21 is a left side elevational view of the latching member thereof. Portions of the assembly are shown omitted in the views for clarity of illustration.



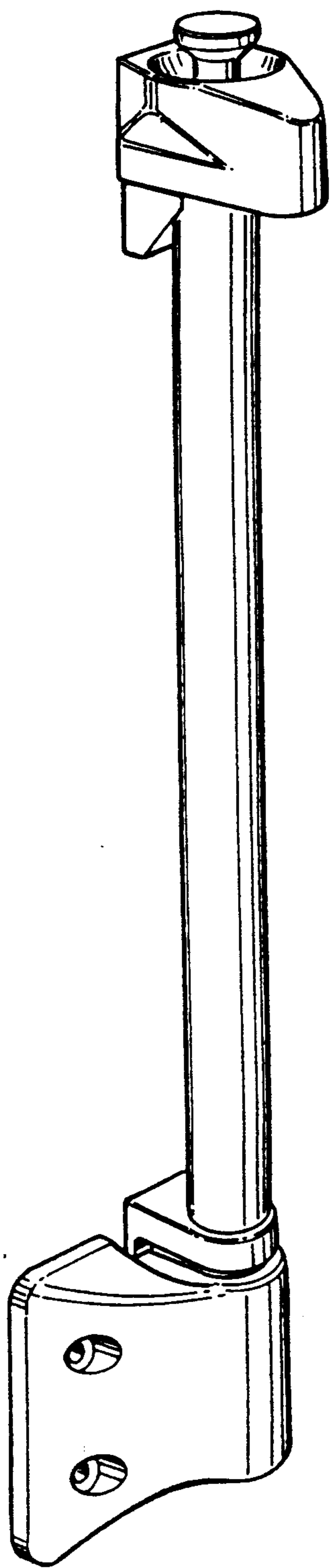


FIG. 1

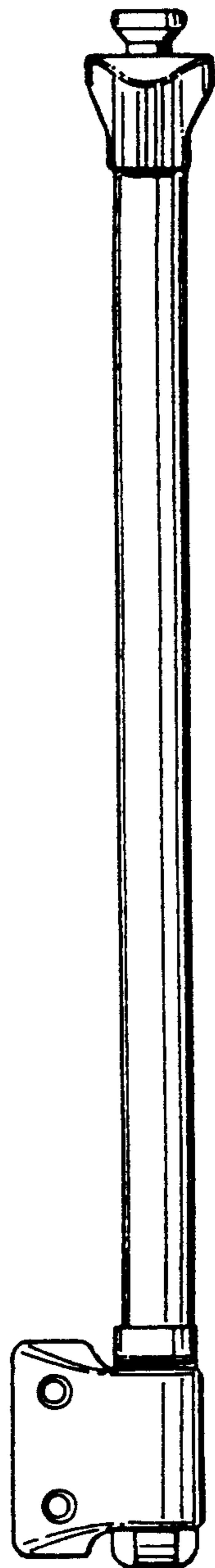


FIG. 2

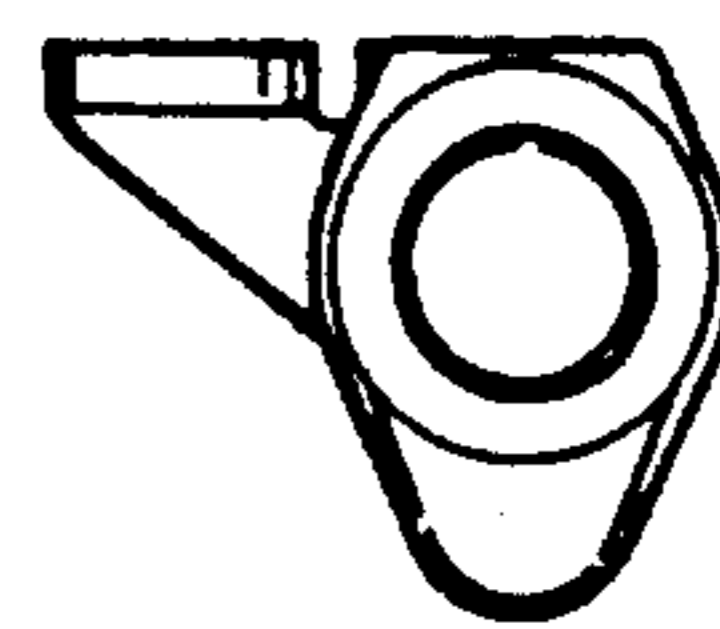


FIG. 3

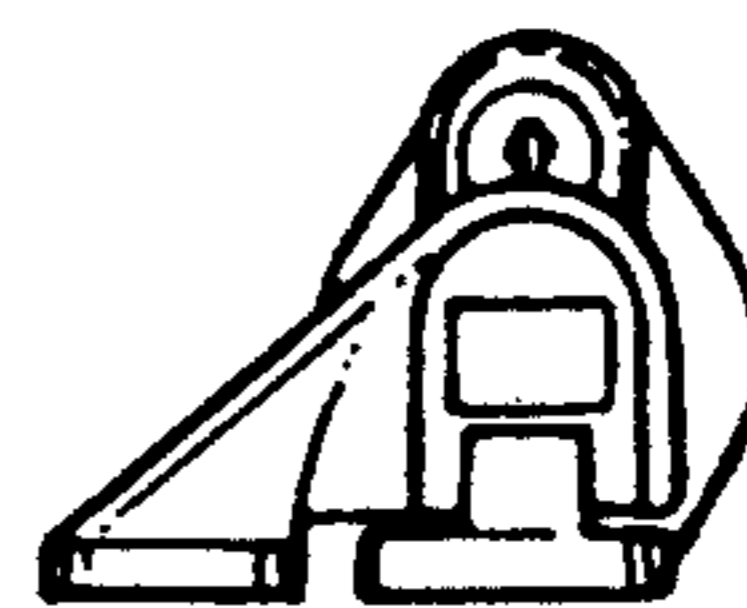


FIG. 4



FIG. 5

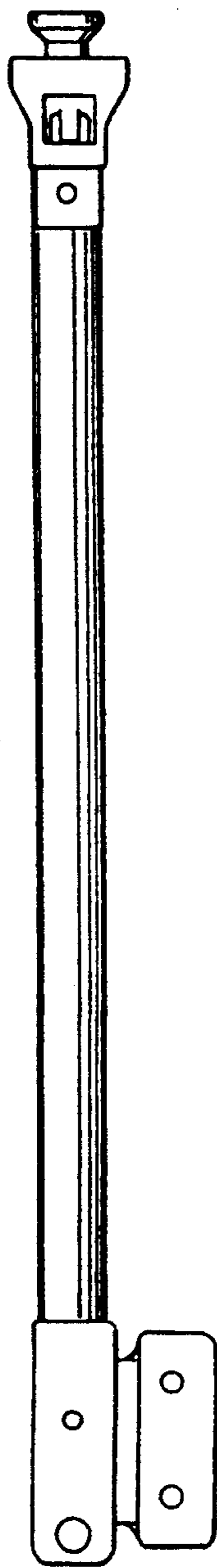


FIG. 6

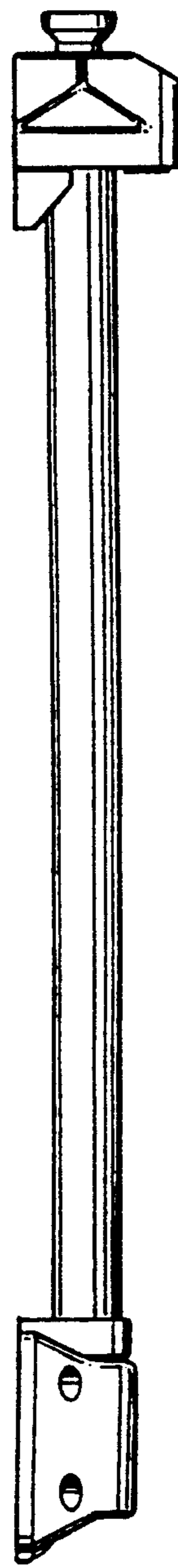


FIG. 7

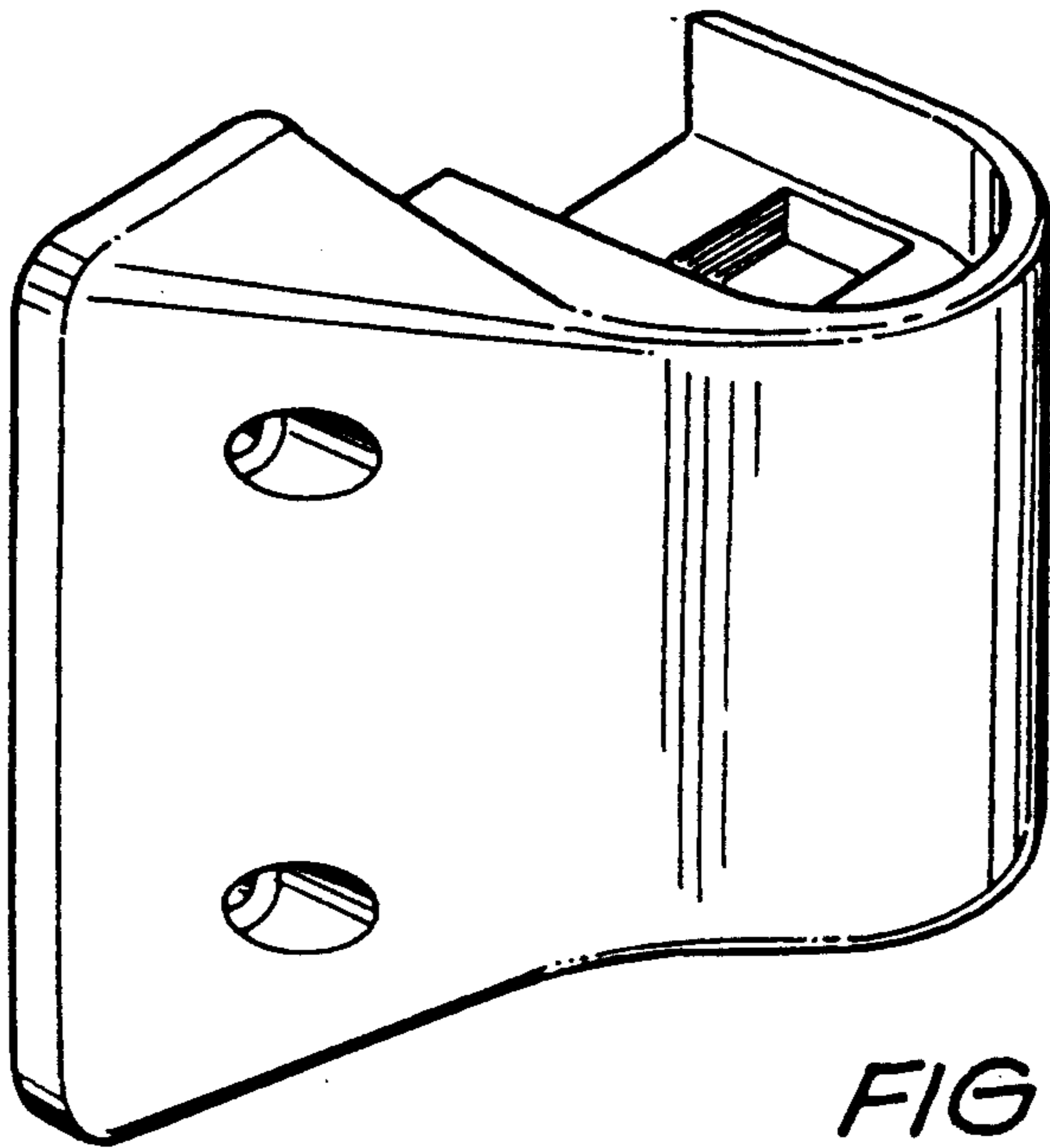


FIG. 8

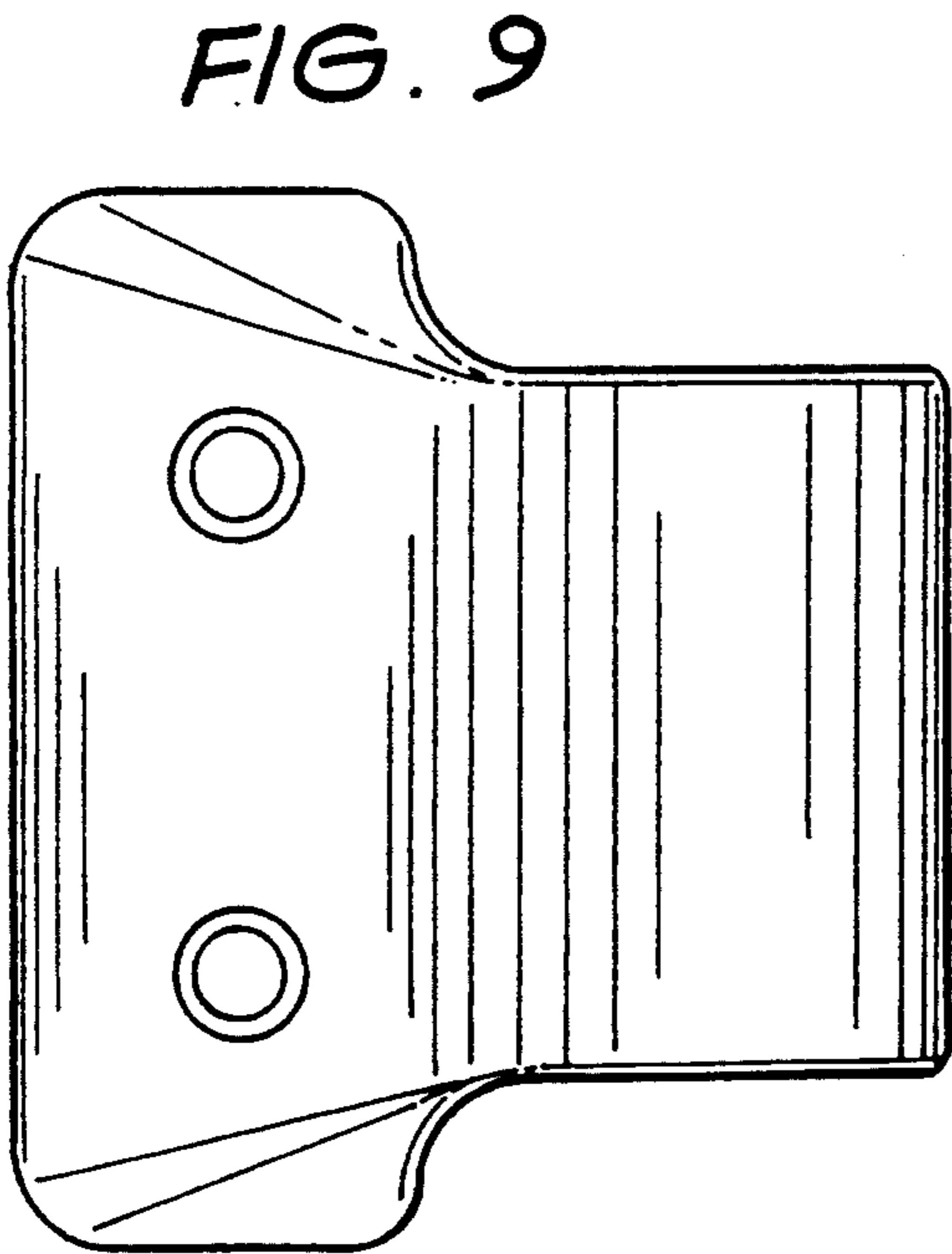


FIG. 9

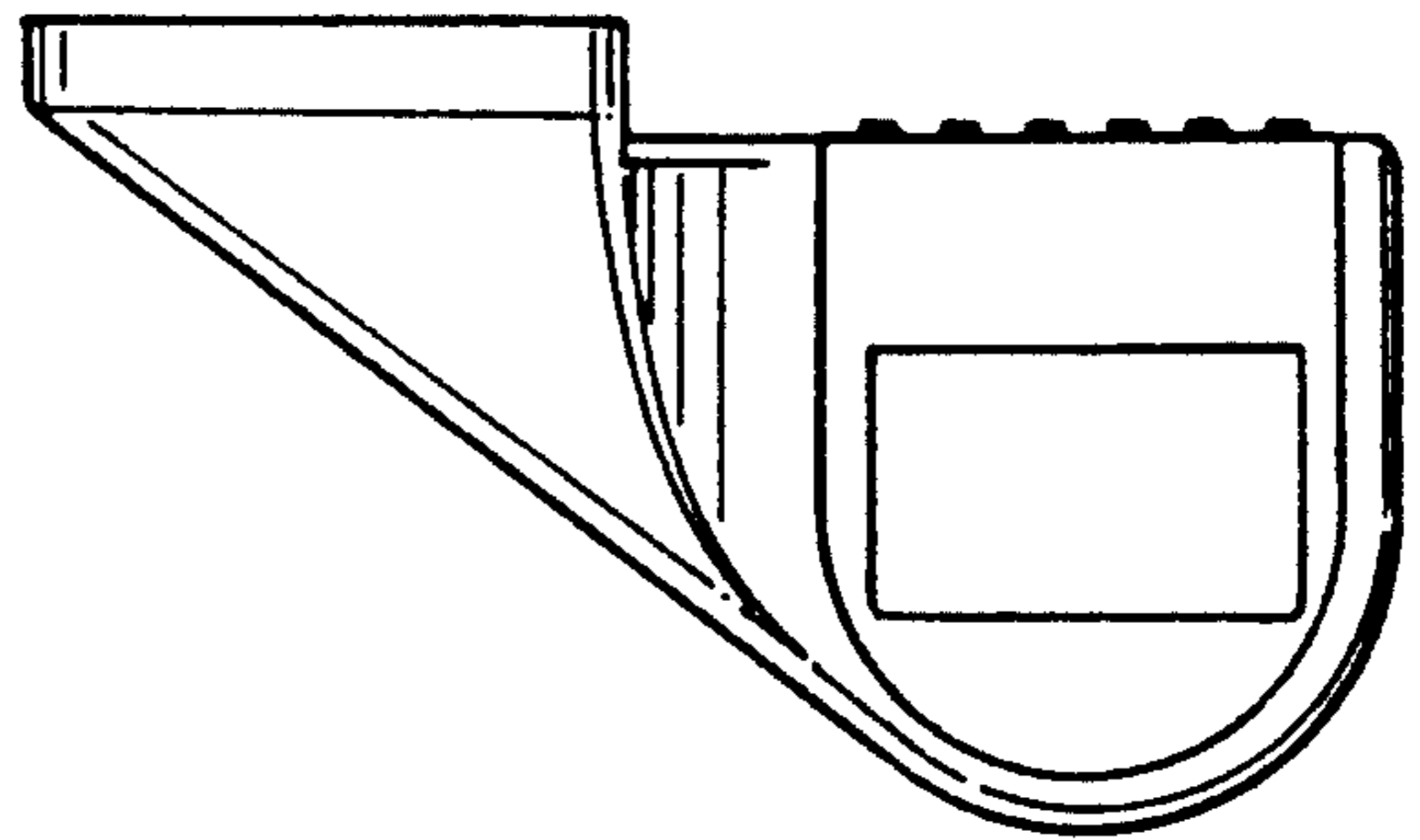


FIG. 10

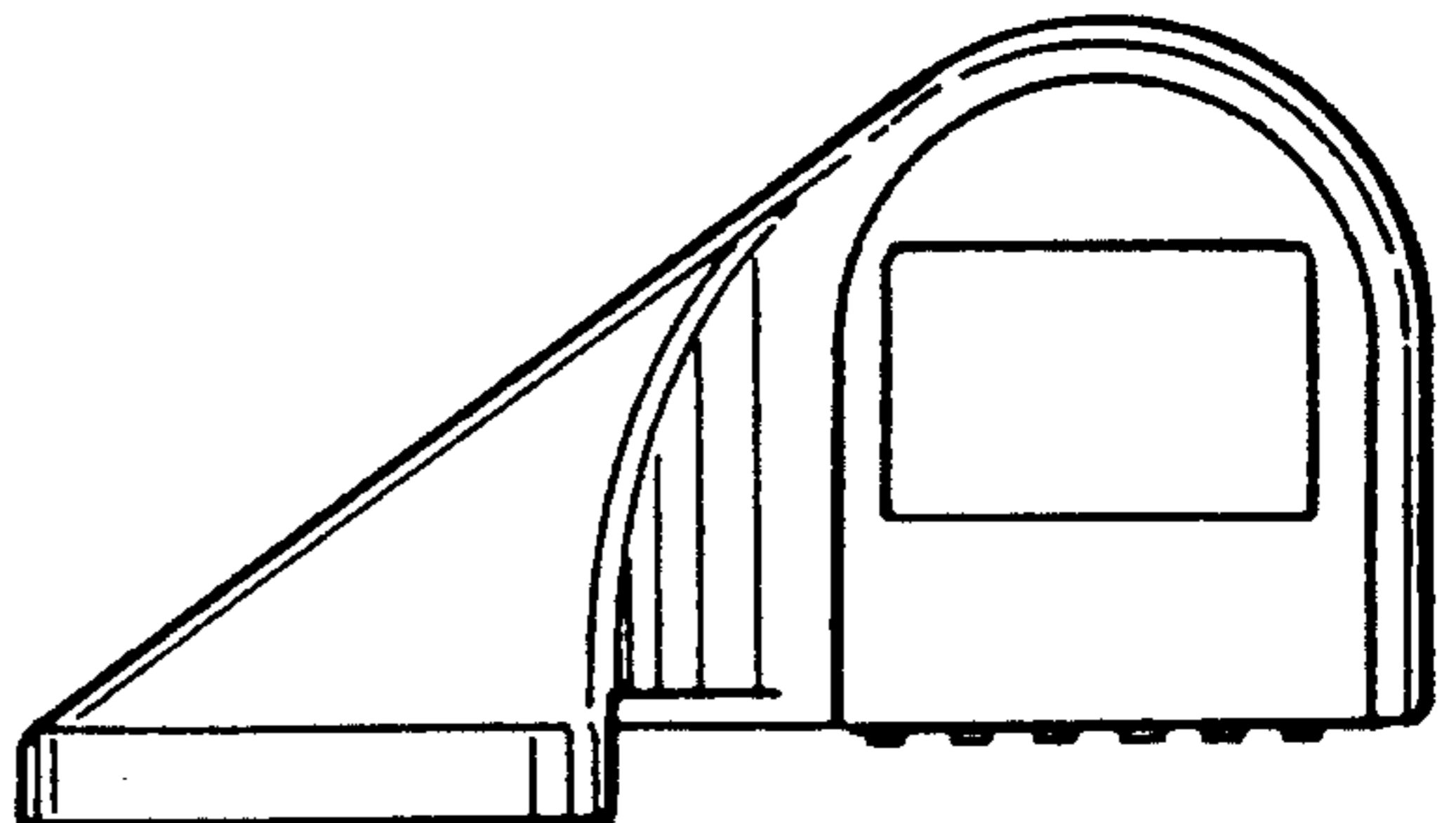


FIG. 11

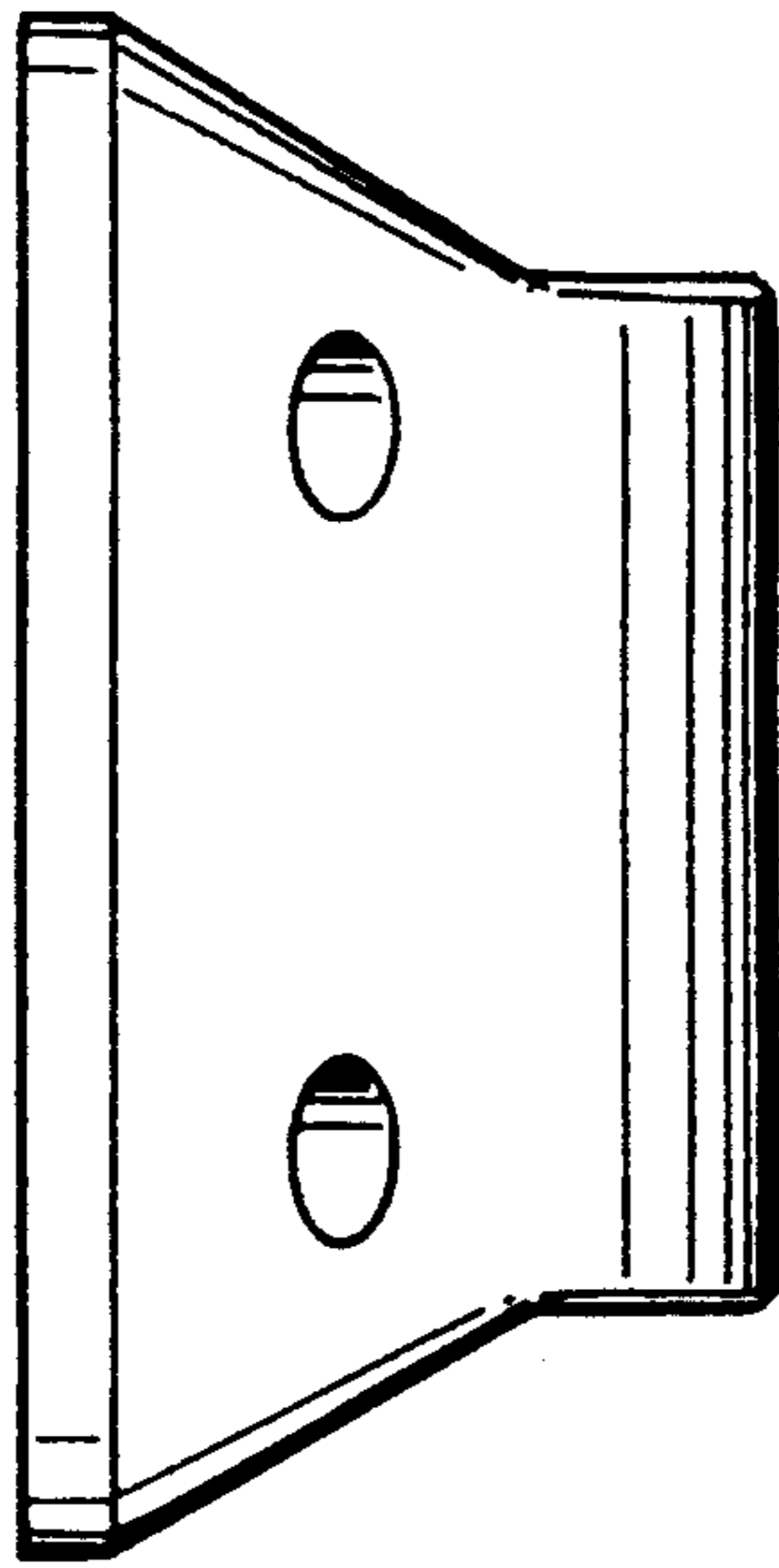


FIG. 12

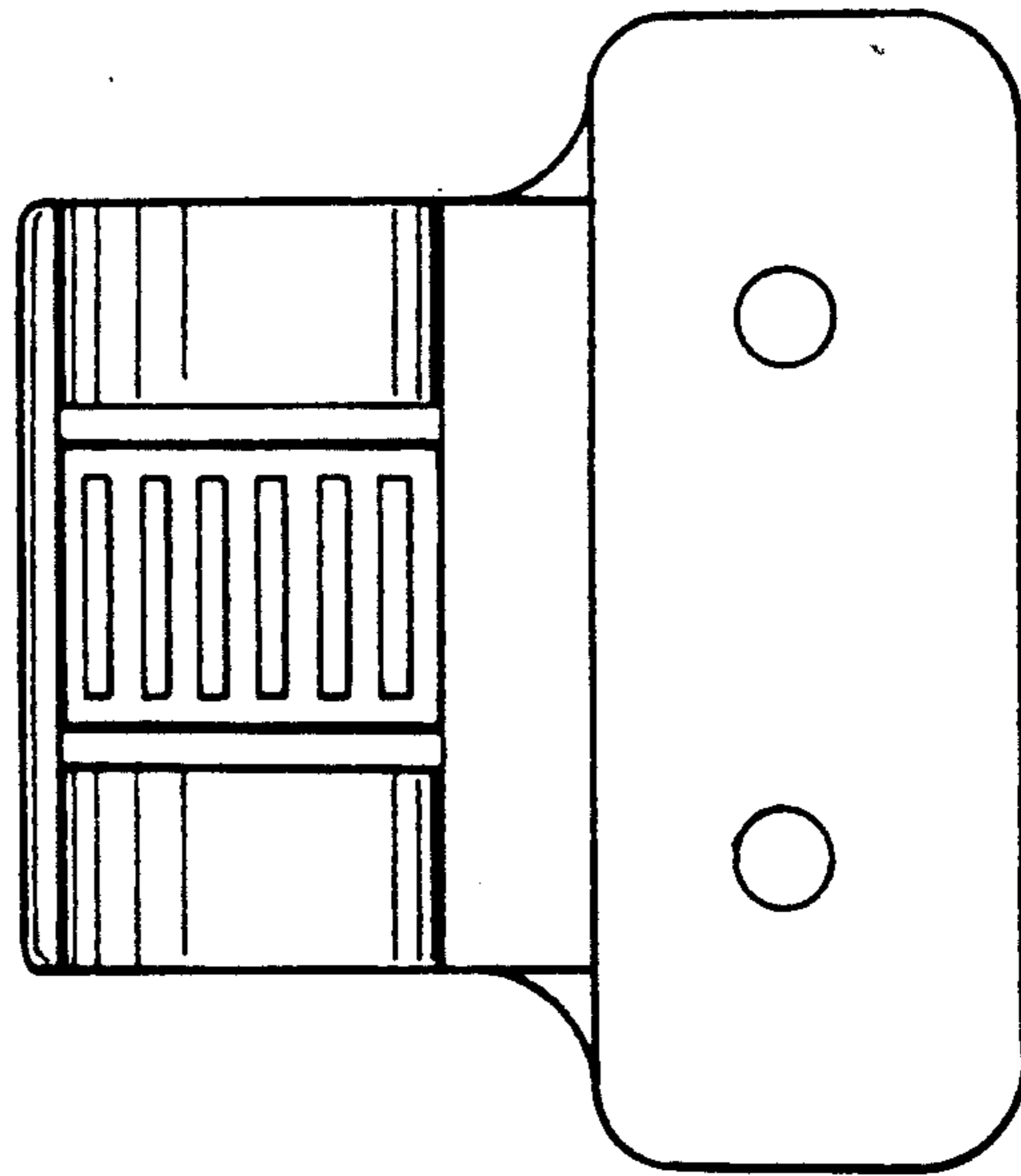


FIG. 13

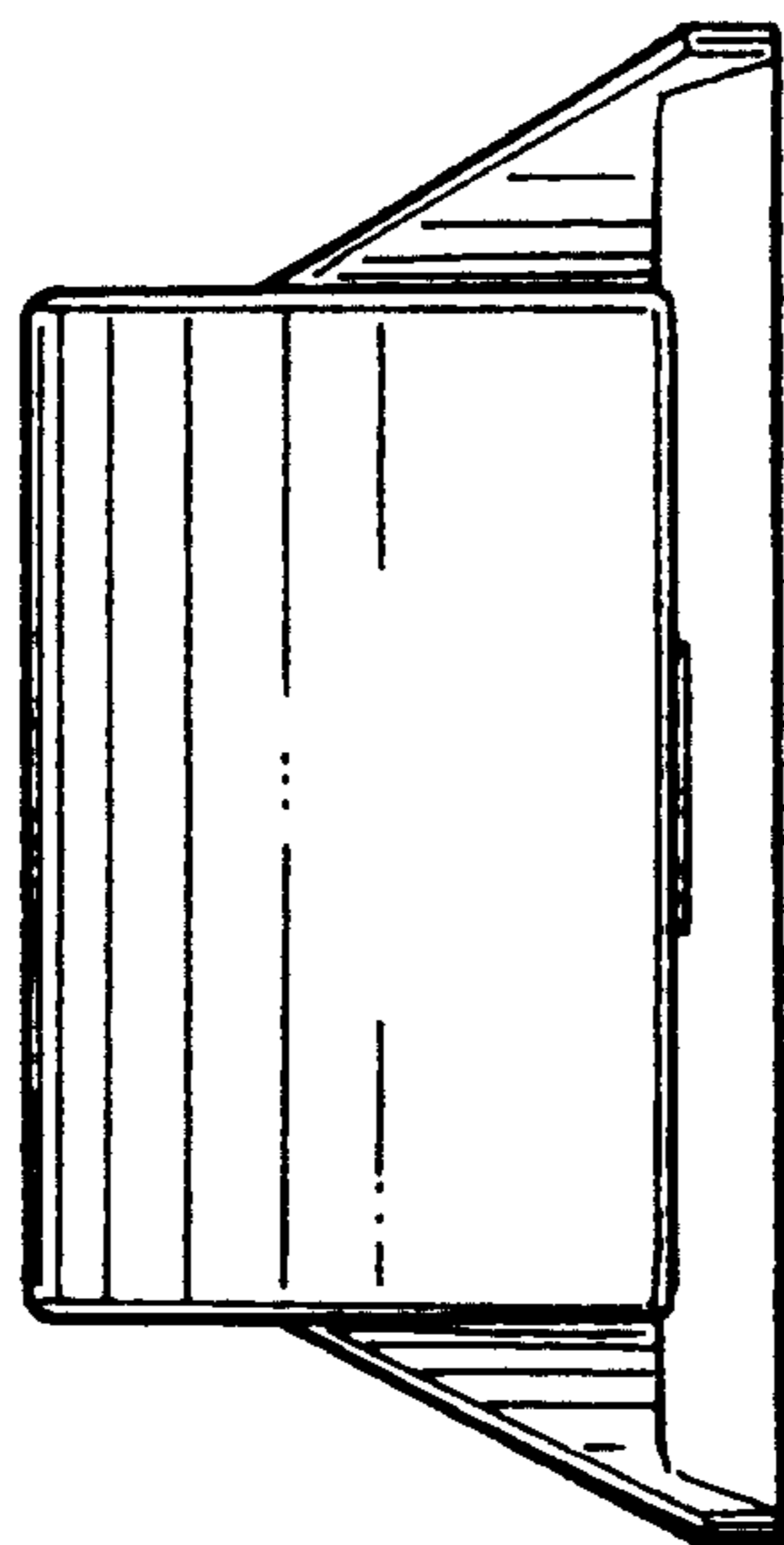


FIG. 14

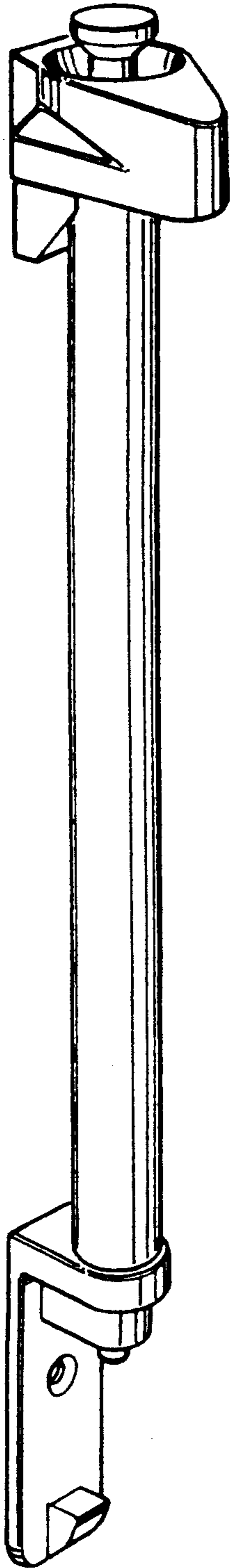


FIG. 15



FIG. 16

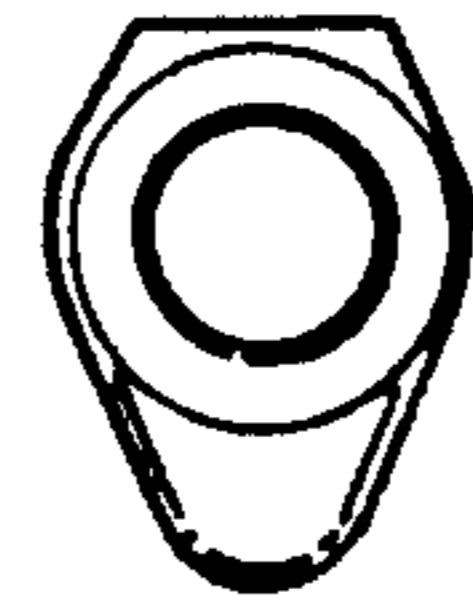


FIG. 17

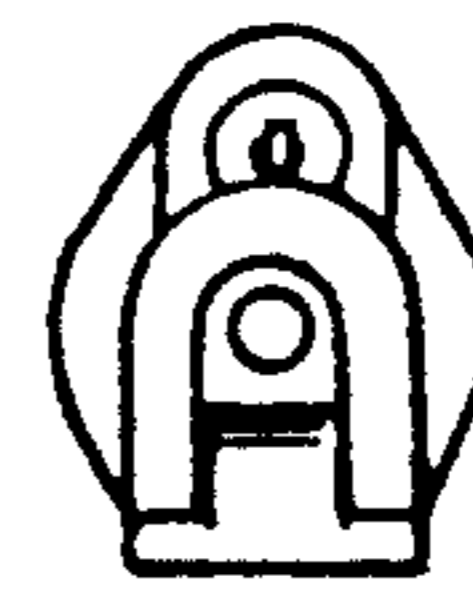


FIG. 18

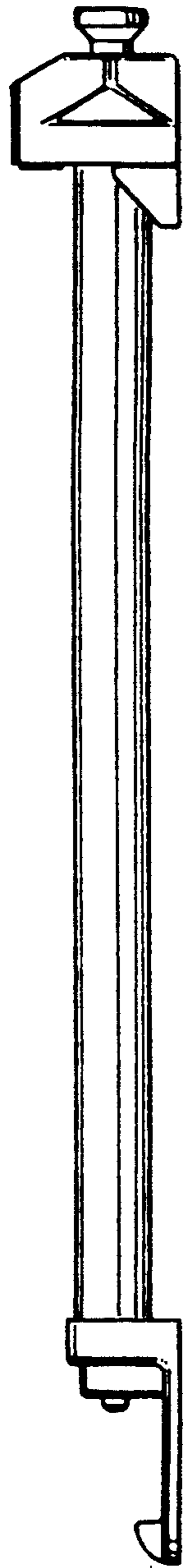


FIG. 19



FIG. 20

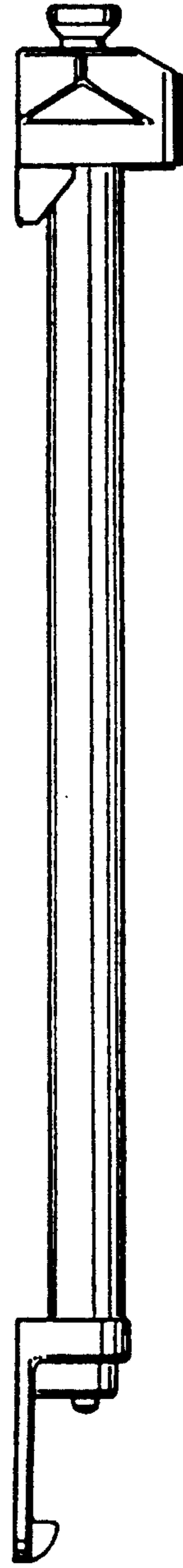


FIG. 21