



US00D344881S

United States Patent [19]

[11] Patent Number: **Des. 344,881**

Sauerland

[45] Date of Patent: **** Mar. 8, 1994**

[54] LOCK

D. 292,171 10/1987 Berg D8/331
4,486,041 10/1980 Bisbing 292/223

[75] Inventor: **Manfred Sauerland, Essen, Fed. Rep. of Germany**

Primary Examiner—Brian N. Vinson
Attorney, Agent, or Firm—Robert W. Becker & Associates

[73] Assignee: **EMKA Beschlagteile GmbH & Co., Velbert, Fed. Rep. of Germany**

[**] Term: **14 Years**

[57] CLAIM

[21] Appl. No.: **156**

The ornamental design for a lock, as shown and described.

[22] Filed: **Sep. 30, 1992**

DESCRIPTION

[30] Foreign Application Priority Data

Mar. 31, 1992 [XH] Hague DM/022486

[52] U.S. Cl. **D8/331**

[58] Field of Search D8/330-331,
D8/336, 338, 341, 346, 300-302; 70/77-84, 91,
101, 208-211; 292/194, 200, 217, 240, 338, 223

FIG. 1 is a perspective view of a lock showing my new design;

FIG. 2 is a perspective view thereof, with the pivot lever flipped up to expose the key lock activating element;

FIG. 3 is a front view thereof;

FIG. 4 is a right side view thereof;

FIG. 5 is a left side view thereof;

FIG. 6 is a top view thereof;

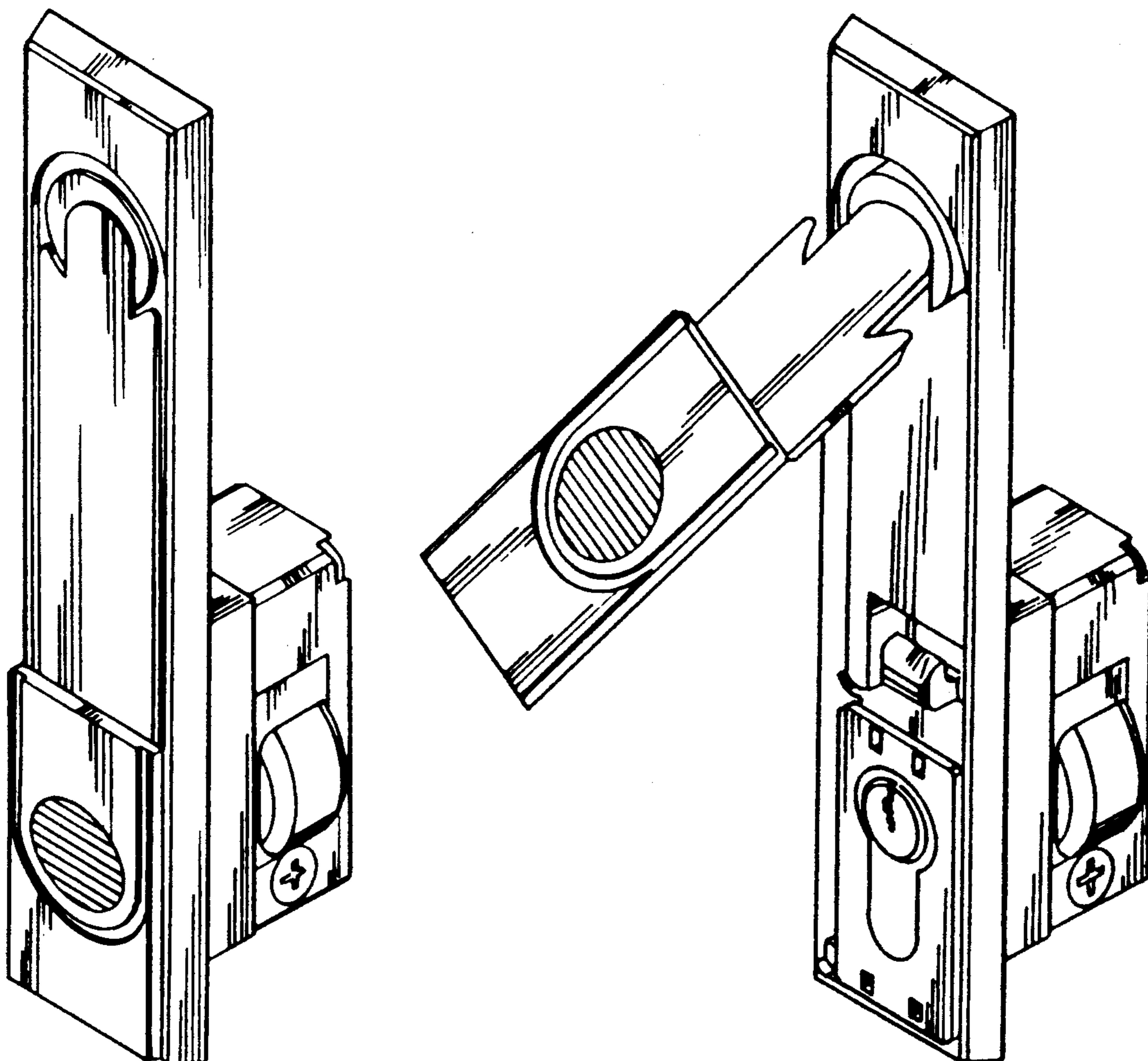
FIG. 7 is a bottom view thereof; and,

FIG. 8 is a rear view thereof.

[56] References Cited

U.S. PATENT DOCUMENTS

D. 289,006 3/1987 Wickman D8/330



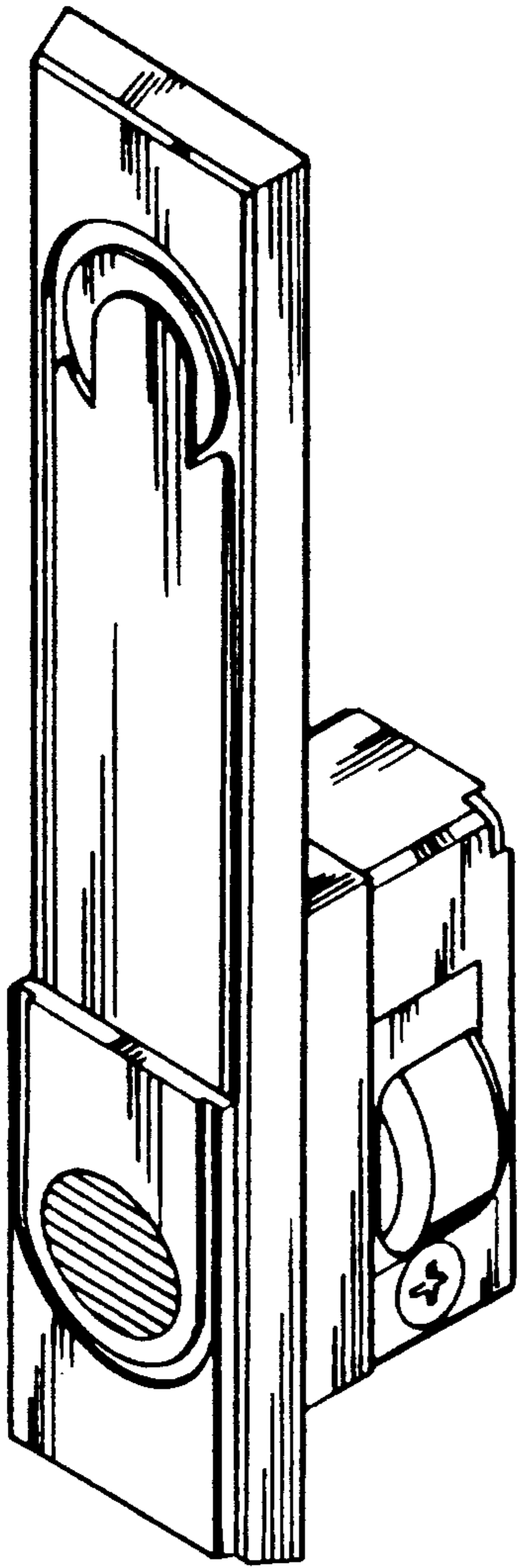


FIG - 1

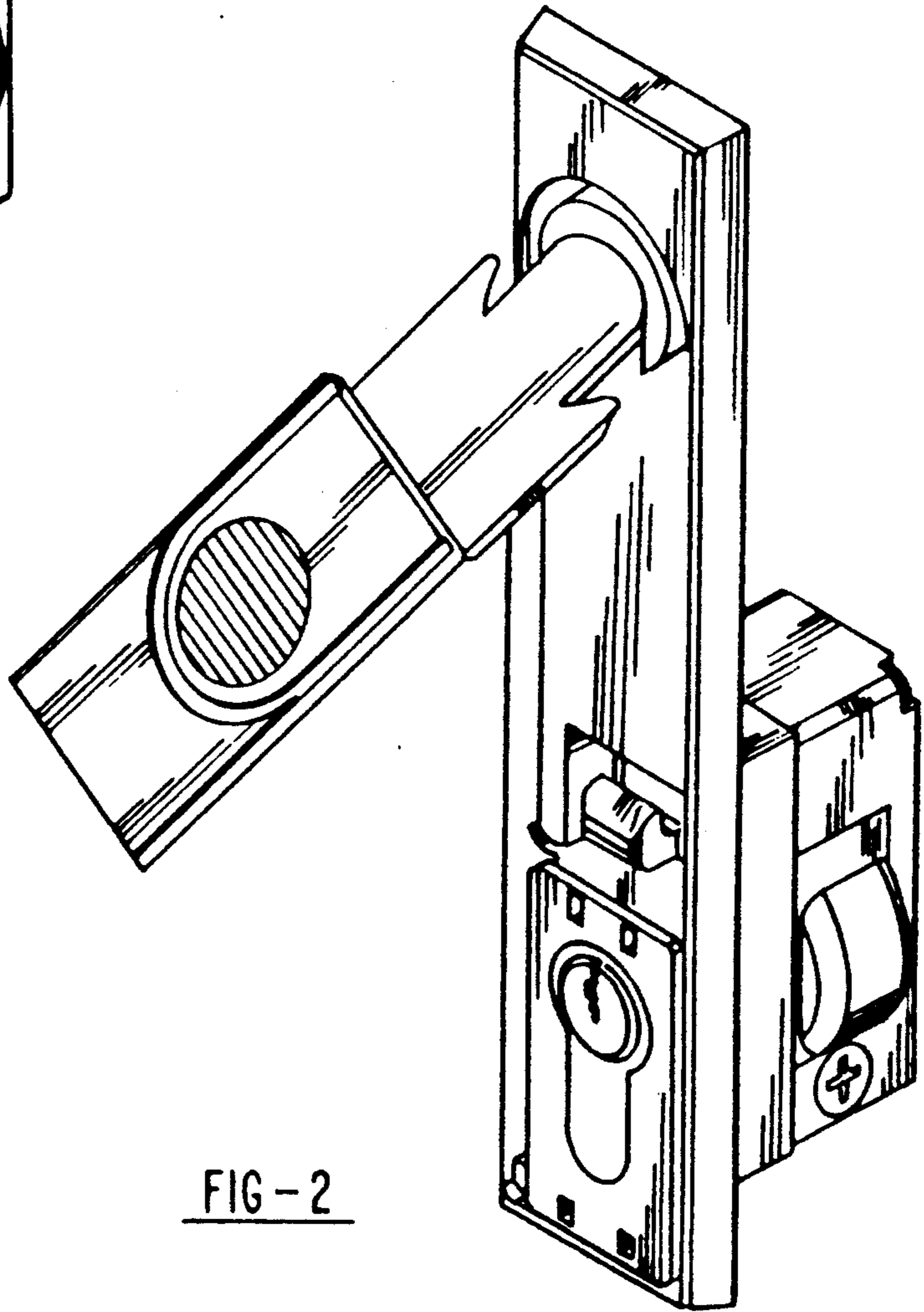


FIG - 2

