



US00D344880S

United States Patent [19]

Salas, Jr.

[11] Patent Number: **Des. 344,880**

[45] Date of Patent: **** Mar. 8, 1994**

[54] **PENCIL HOLDER ATTACHMENT FOR A POWER TOOL**

[76] Inventor: Encarnacion Salas, Jr., 1741 Half Mile East Expressway 83, Mercedes, Tex. 78570

[**] Term: **14 Years**

[21] Appl. No.: **930,221**

[22] Filed: **Aug. 14, 1992**

[52] U.S. Cl. **D8/71; D19/55; D19/84**

[58] Field of Search **D8/71; 401/6, 7, 8, 401/88; D19/55, 73, 84**

[56] **References Cited**

U.S. PATENT DOCUMENTS

D. 30,130	2/1899	Lanier	D19/55
D. 315,923	4/1991	Frischer	D19/55
D. 321,635	11/1991	Kerrigan	D8/71
4,846,710	7/1989	Campbell	401/8

Primary Examiner—Nelson C. Holtje
Assistant Examiner—J. H. Musgrove

Attorney, Agent, or Firm—Richard L. Miller

[57] **CLAIM**

The ornamental design for pencil holder attachment for a power tool, as shown and described.

DESCRIPTION

FIG. 1 is a top plan view of a pencil holder attachment for a power tool showing my new design, taken in the direction of arrow 1 in FIG. 3;
 FIG. 2 is a rear elevational view thereof, taken in the direction of arrow 2 in FIG. 3;
 FIG. 3 is a left side elevational view thereof, the right side being an identical mirror image thereof;
 FIG. 4 is a front elevational view thereof, taken in the direction of arrow 4 in FIG. 3;
 FIG. 5 is a bottom plan view thereof, taken in the direction of arrow 5 in FIG. 3; and,
 FIG. 6 is a diagrammatic perspective view illustrating a pencil being sharpened and portable circular saw both shown in phantom with the instant invention installed thereon and shown in solid lines.
 The broken line showing of the pencil and circular saw are for illustrative purposes only and form no part of the claimed design.

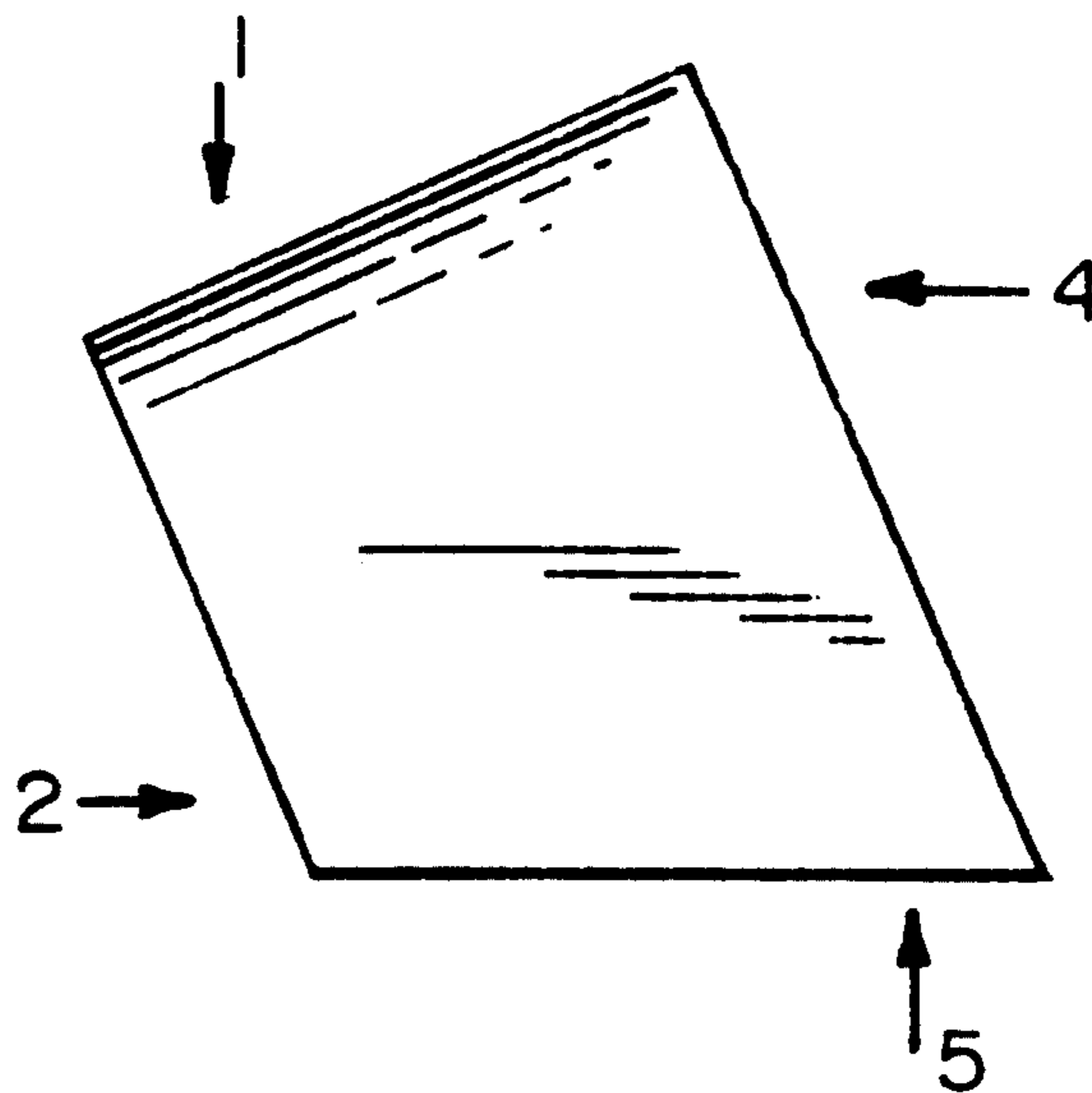
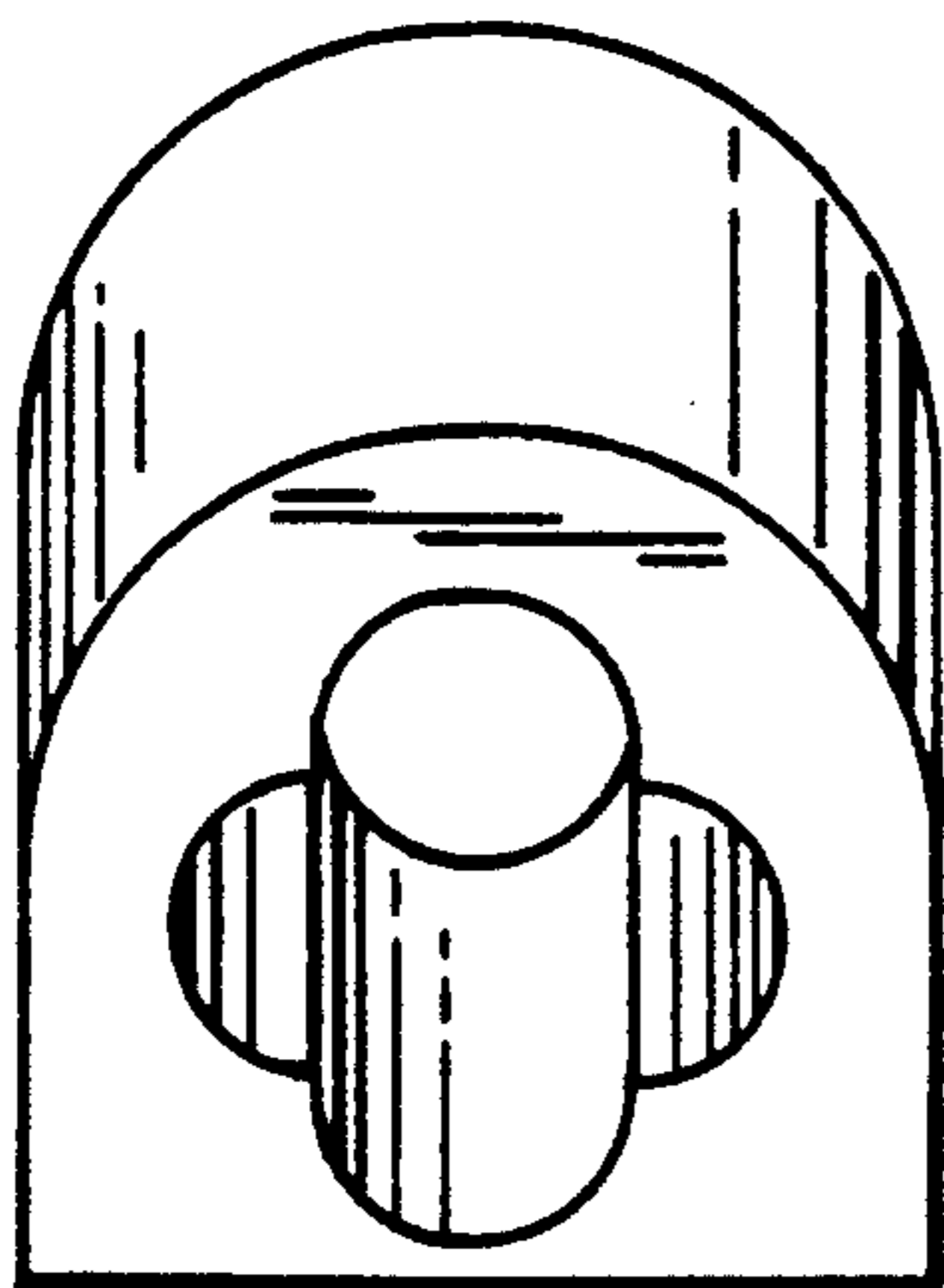


FIG. 1

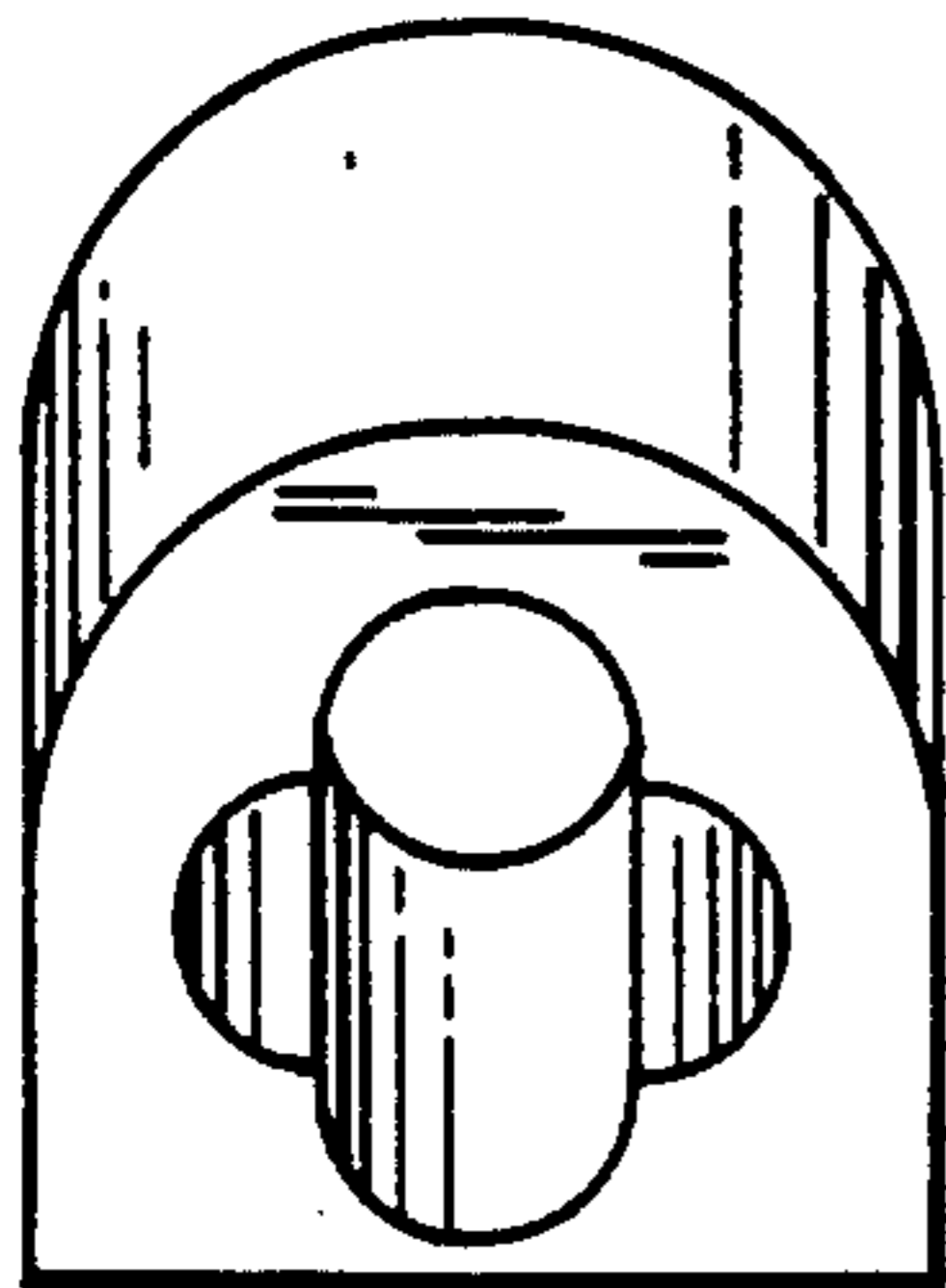
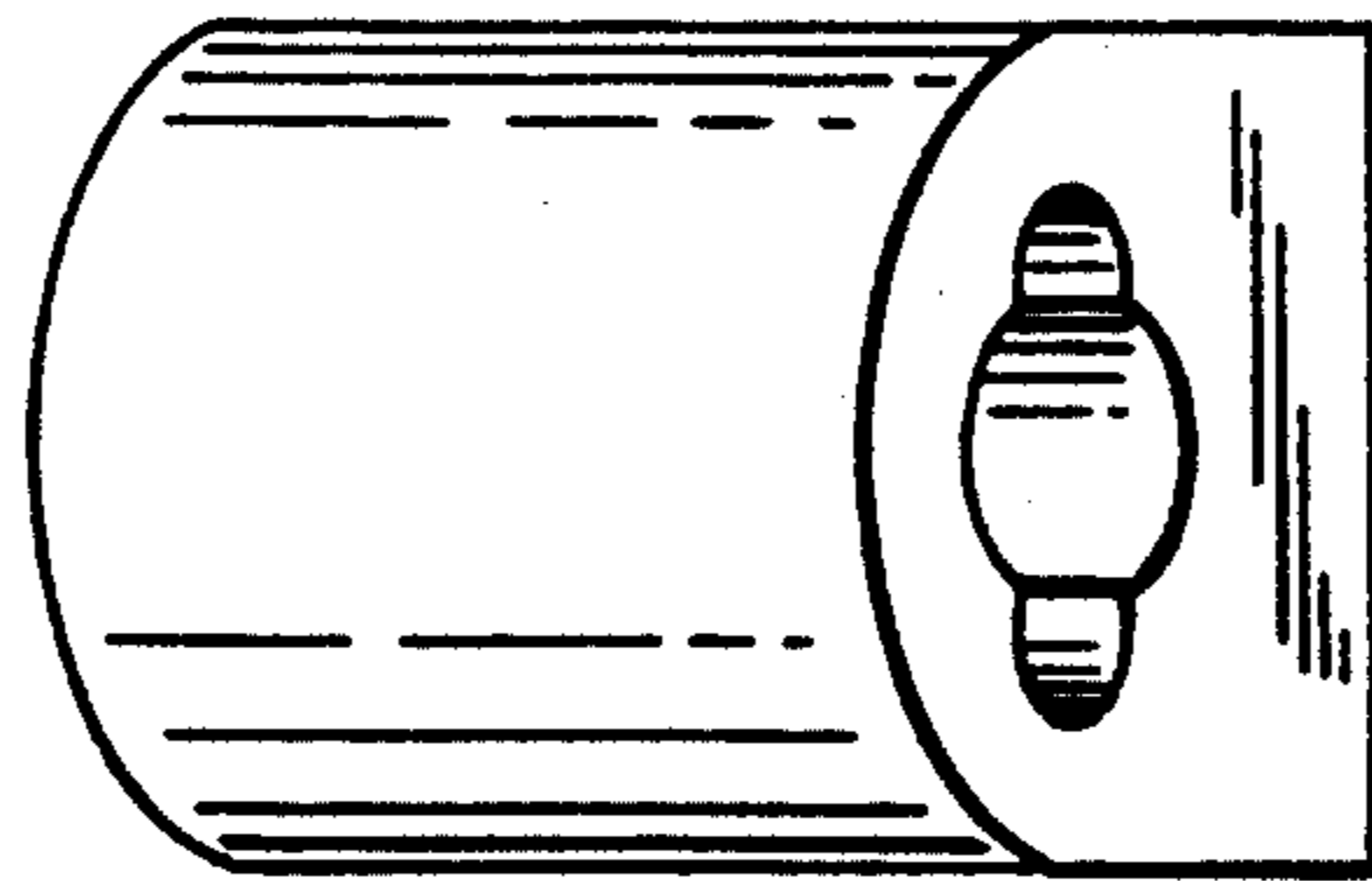


FIG. 2

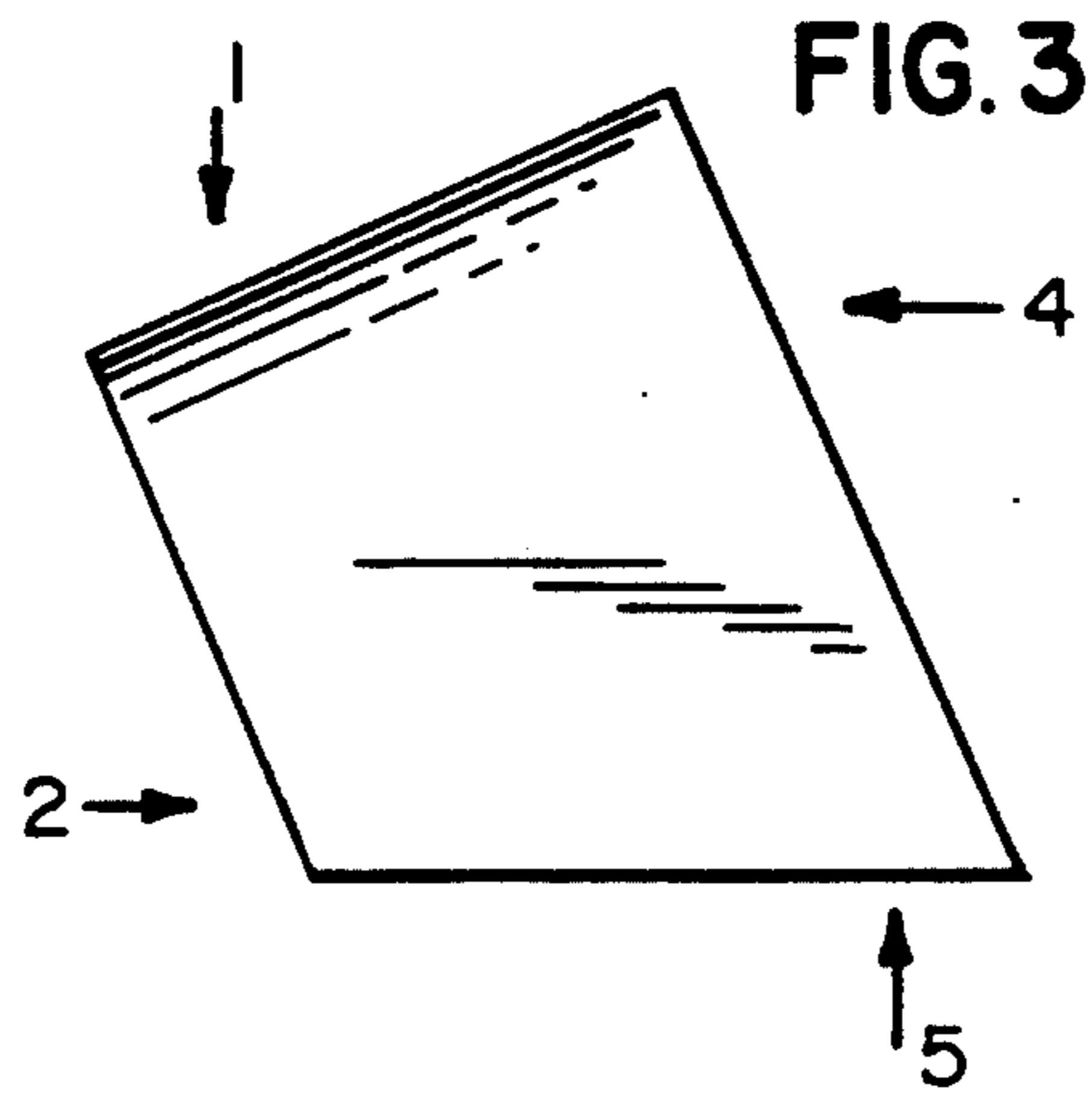


FIG. 3

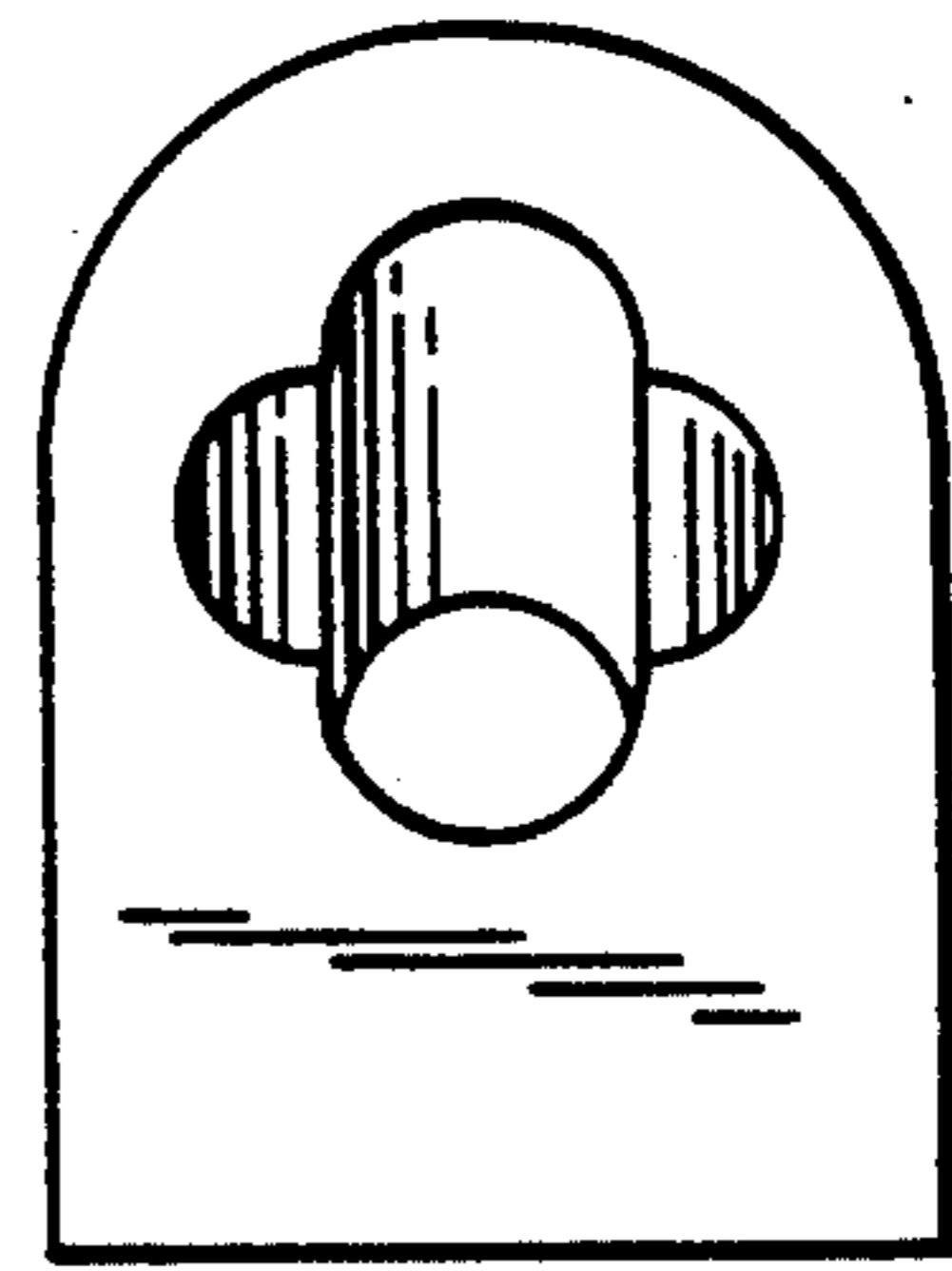


FIG. 4

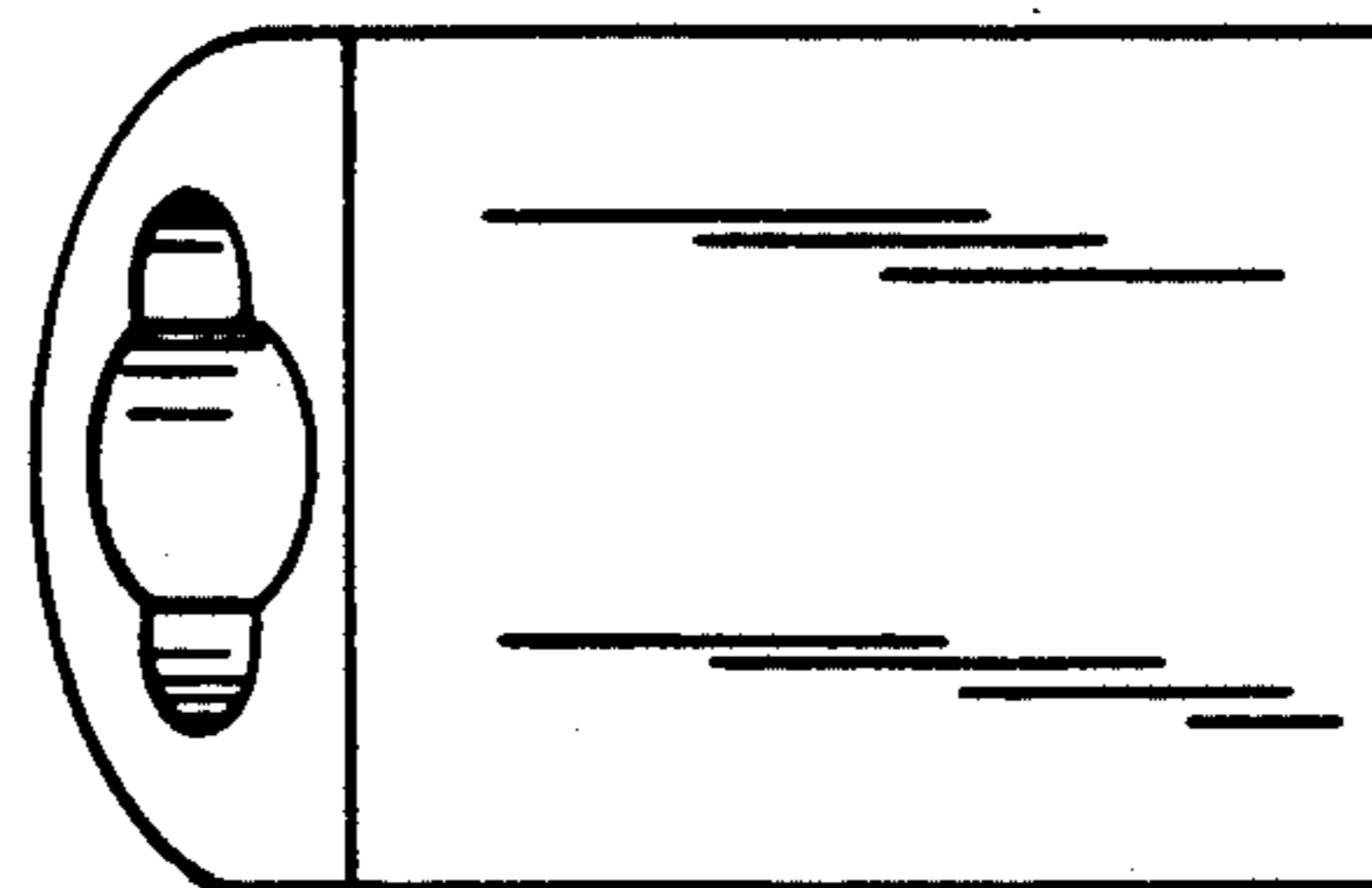


FIG. 5

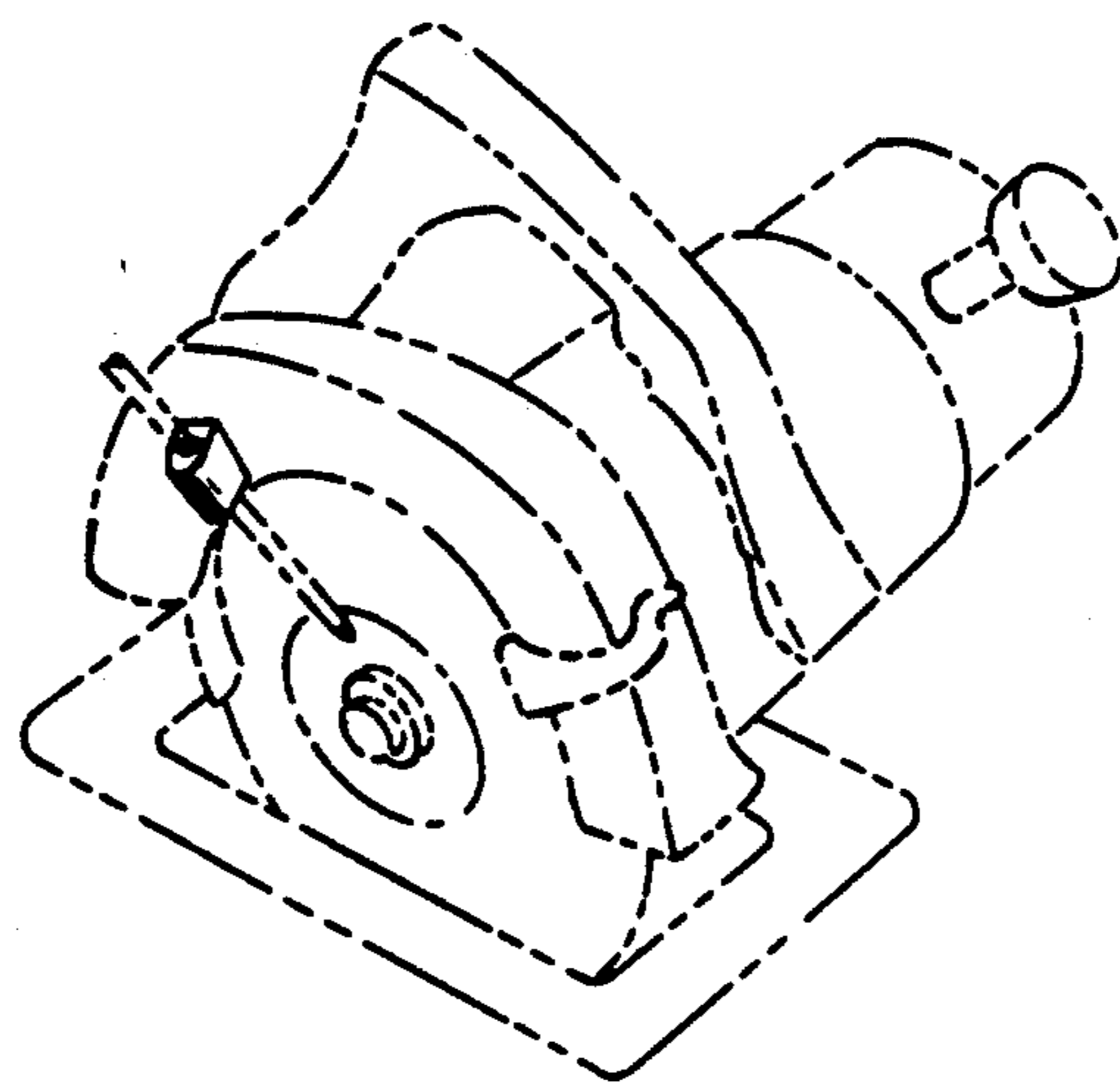


FIG. 6