



US00D344879S

United States Patent [19]

[11] Patent Number: **Des. 344,879**

Chan

[45] Date of Patent: **** Mar. 8, 1994**

[54] **DRILL TOOL COVER**

[76] Inventor: **Peter C. W. Chan**, 72 Busted Dr.,
Midland Park, N.J. 07432

[**] Term: **14 Years**

[21] Appl. No.: **4,221**

[22] Filed: **Jan. 28, 1993**

[52] U.S. Cl. **D8/70; D8/62**

[58] Field of Search **D8/70, 61, 62; 30/391,
30/376; 83/675; 51/268, 269, 170 R, 170 PT,
241 R, 258, 272**

[56] **References Cited**

U.S. PATENT DOCUMENTS

- D. 242,982 1/1977 Flickenstein D8/70
- D. 262,032 11/1981 Totsu D8/70
- D. 323,100 1/1992 Pastore D8/62
- D. 337,500 7/1993 Hutchings, II D8/70

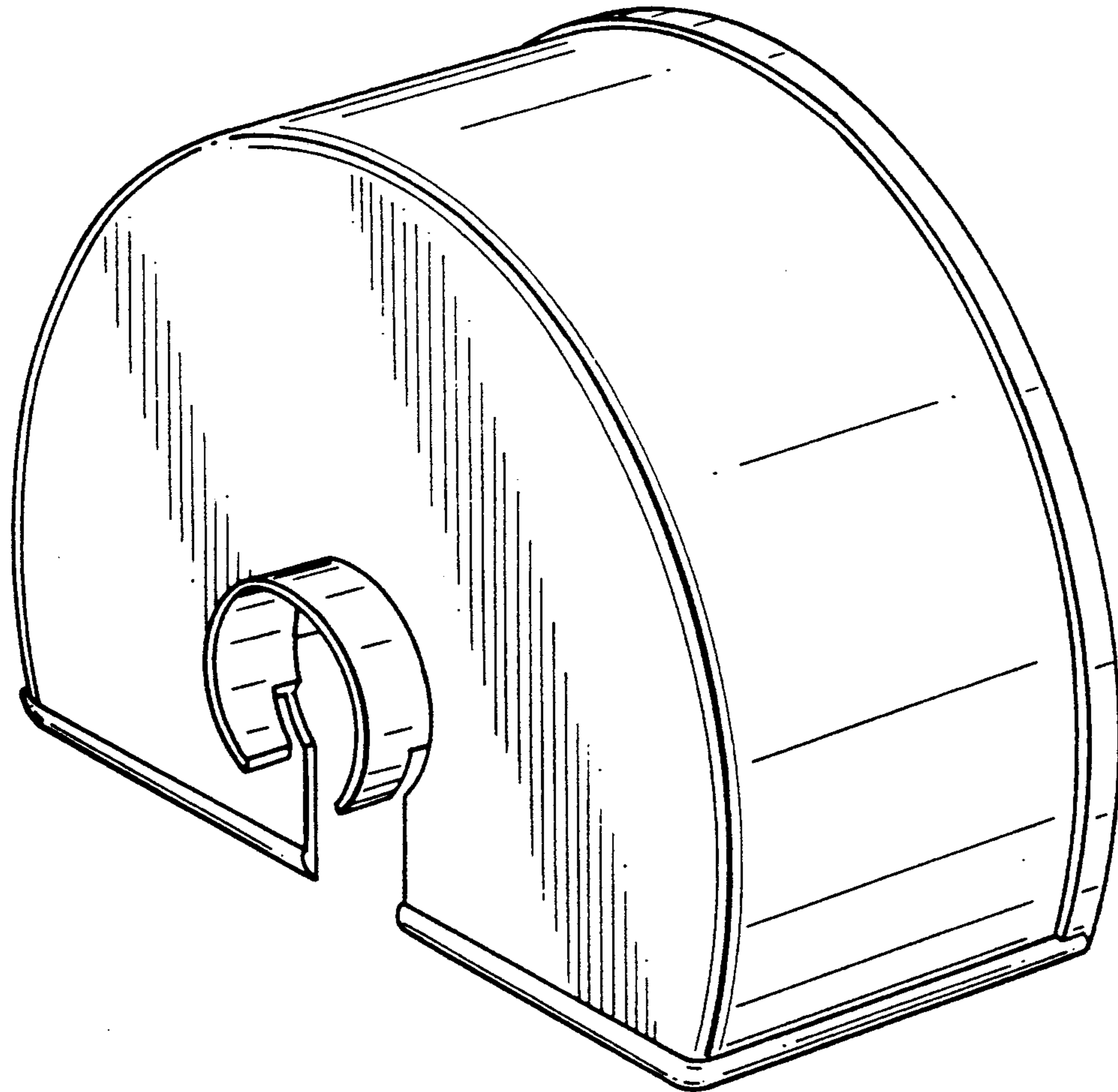
Primary Examiner—Alan P. Douglas
Assistant Examiner—Jeffry H. Musgrove
Attorney, Agent, or Firm—Weingram & Zall

[57] **CLAIM**

The ornamental design for a drill tool cover, as shown and described.

DESCRIPTION

FIG. 1 is a perspective view from the rear right side of the drill tool cover showing my new design;
 FIG. 2 is a top plan view of the drill tool cover shown in FIG. 1;
 FIG. 3 is a rear elevation of the drill tool cover shown in FIG. 1;
 FIG. 4 is a right side elevation of the drill tool cover shown in FIG. 1 which is a mirror image of the left side elevation thereof;
 FIG. 5 is a front elevation of the drill tool cover shown in FIG. 1;
 FIG. 6 is a bottom plan view of the drill tool cover shown in FIG. 1; and,
 FIG. 7 is a view of the drill tool cover shown in FIG. 1. The broken line showing of the drill and grinding wheel are for environment use only and forms no part of the claimed design.



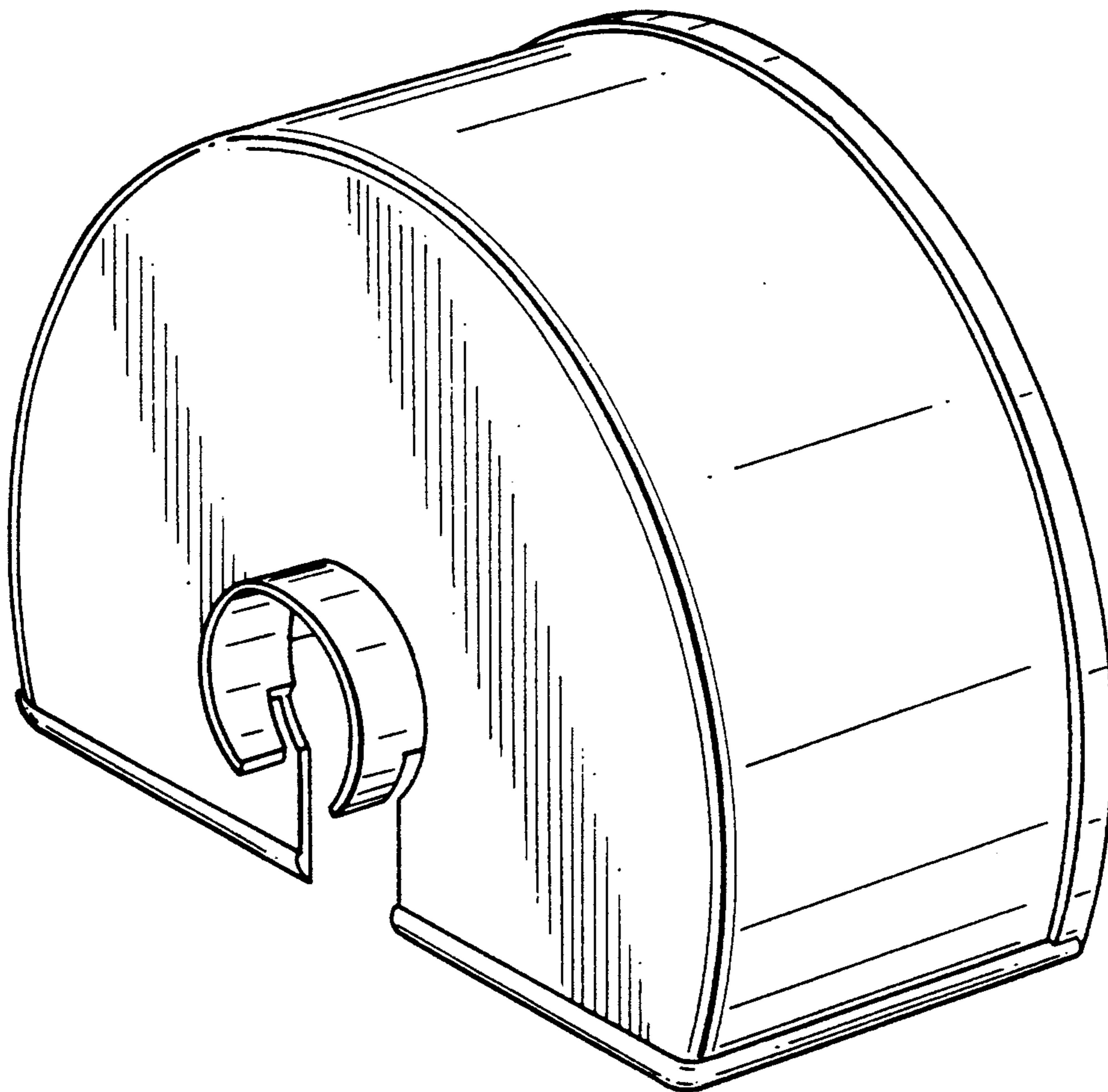


FIG-1

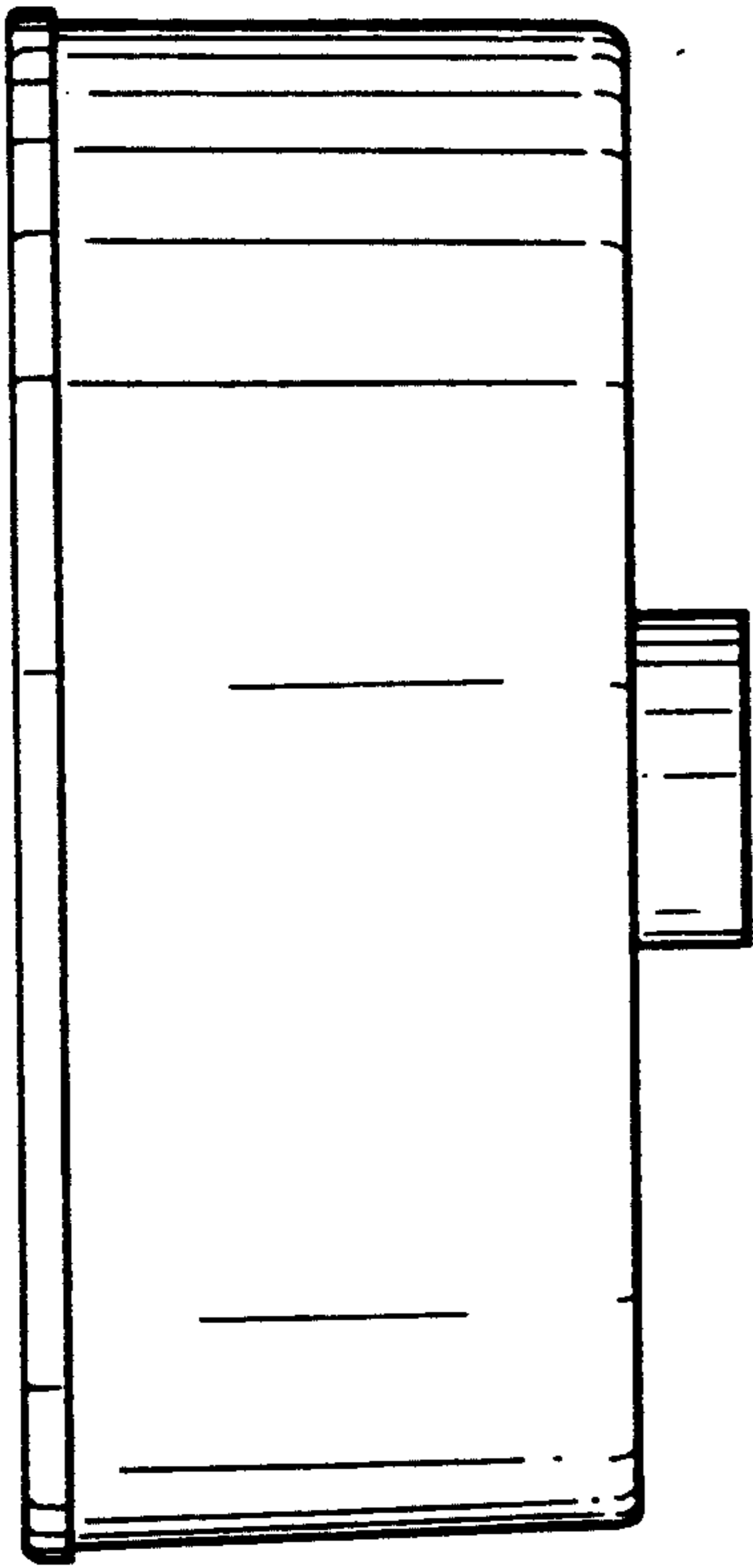


FIG-2

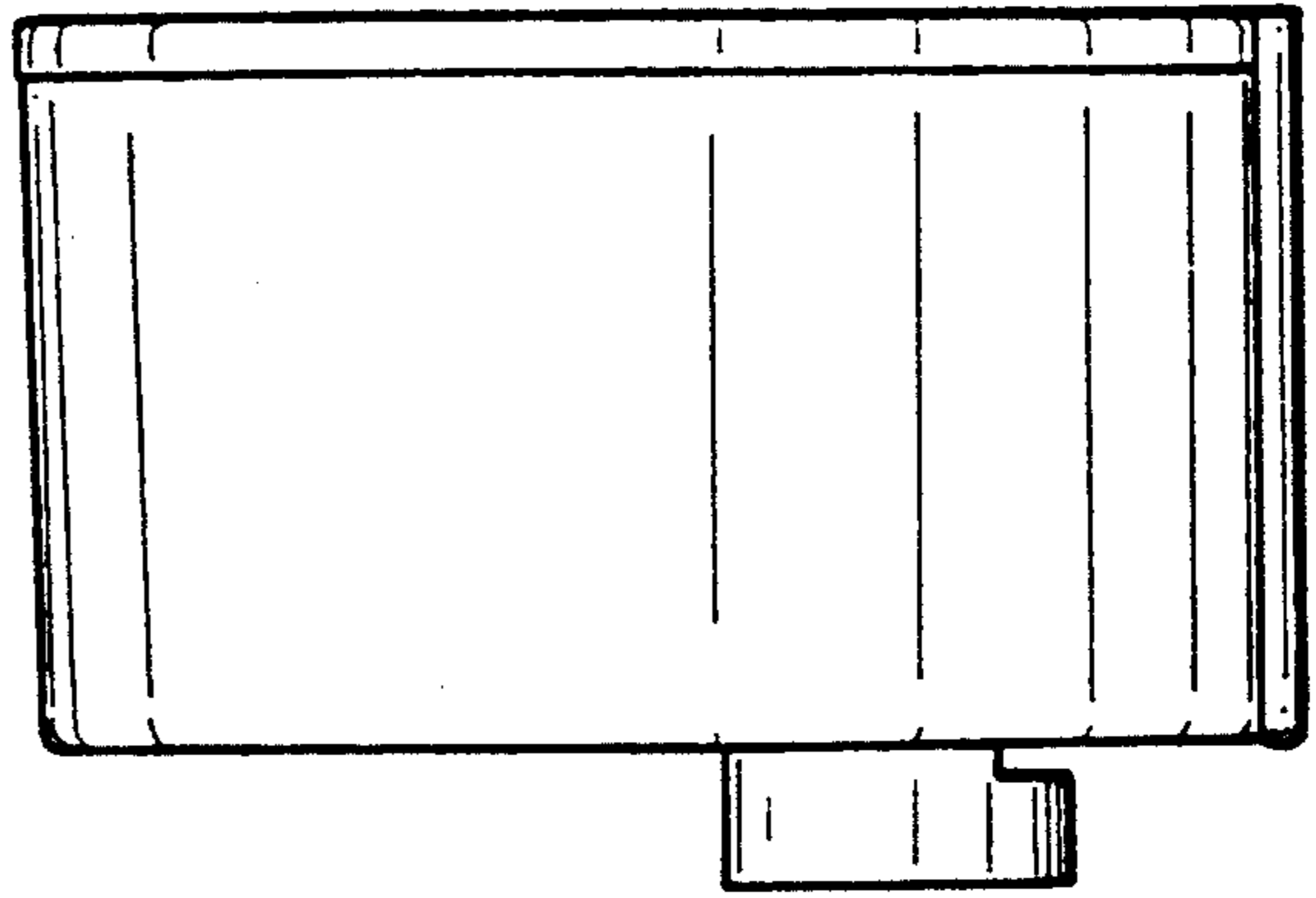


FIG-4

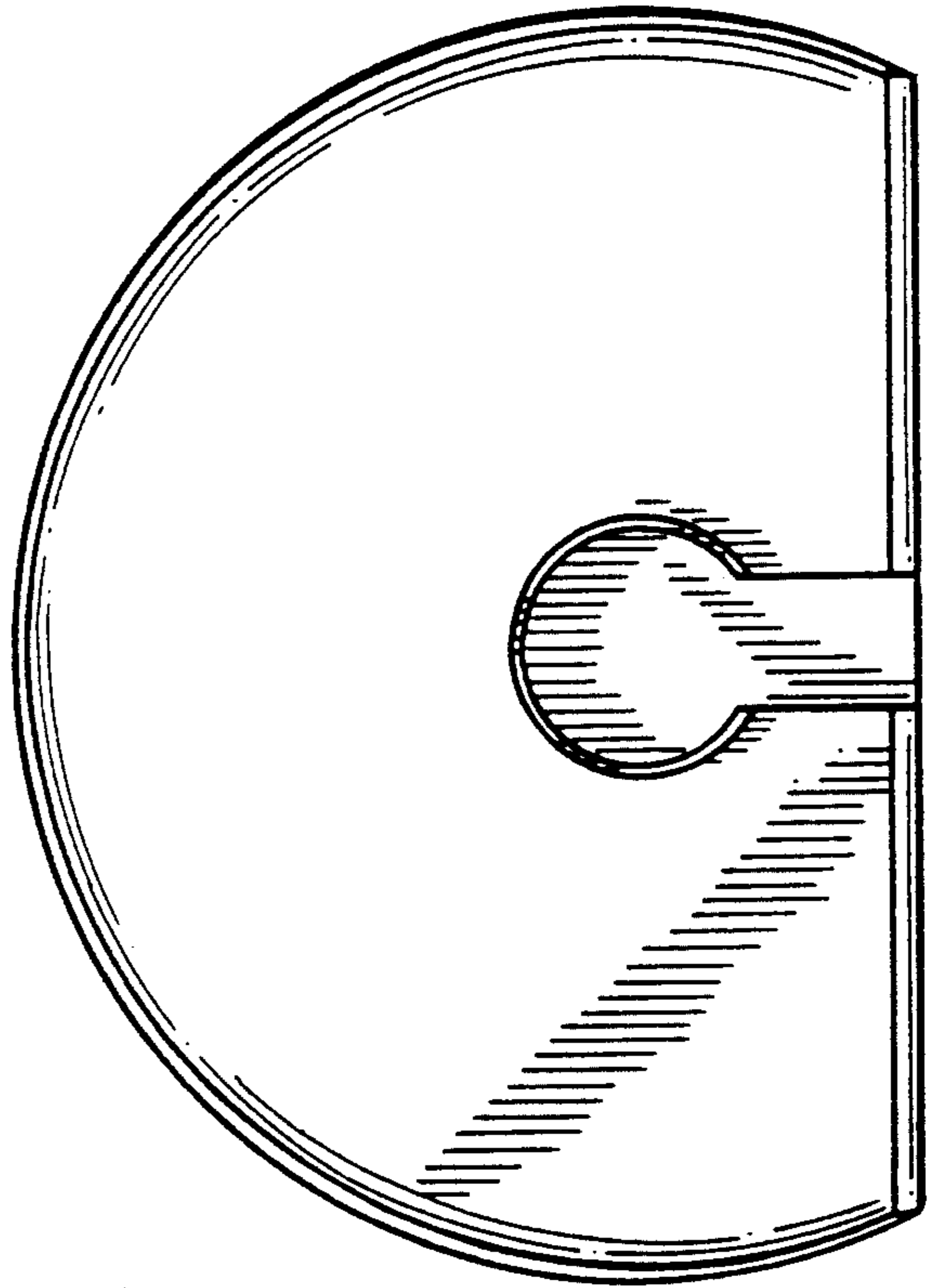


FIG-3

FIG-5

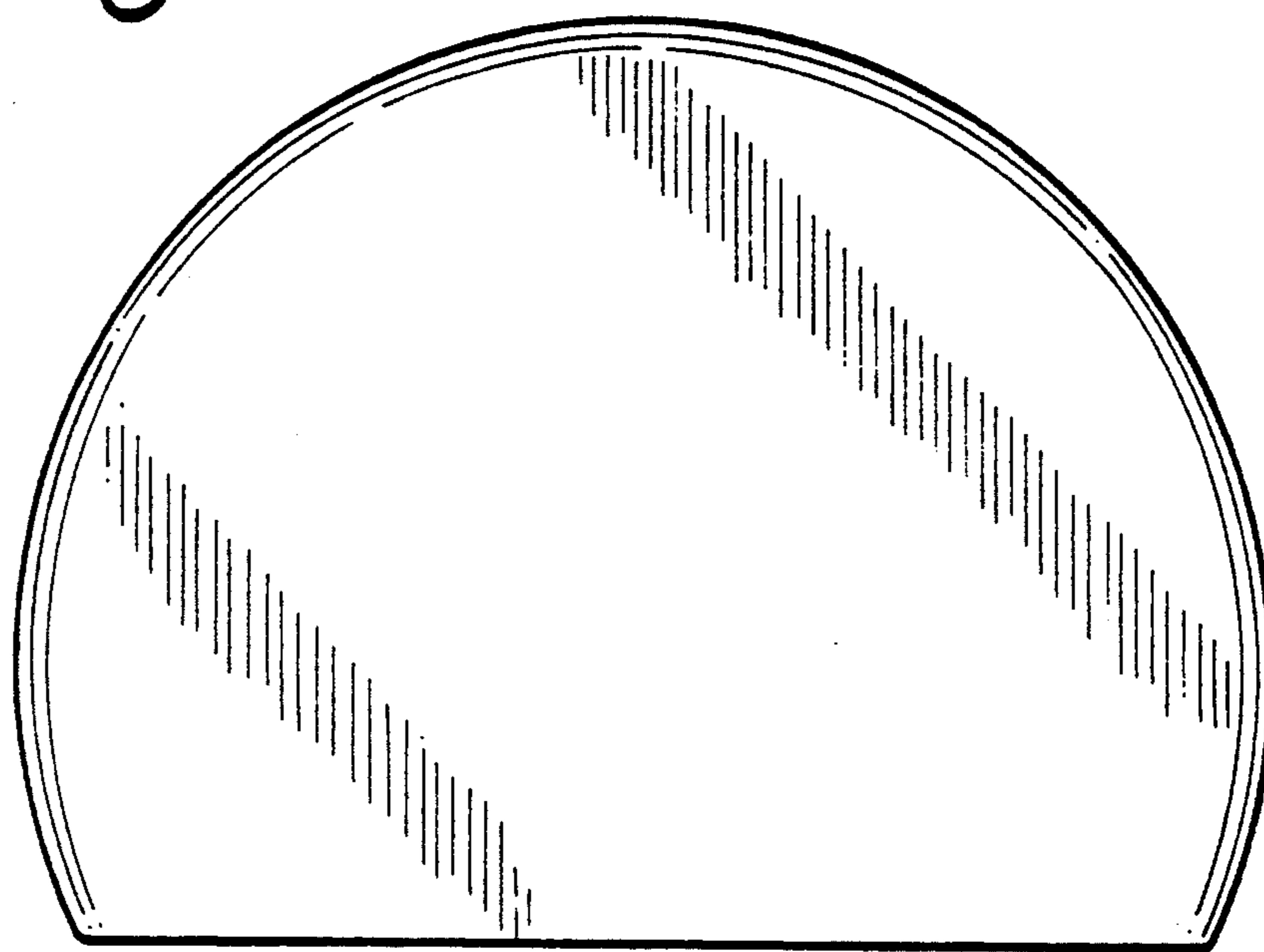


FIG-6

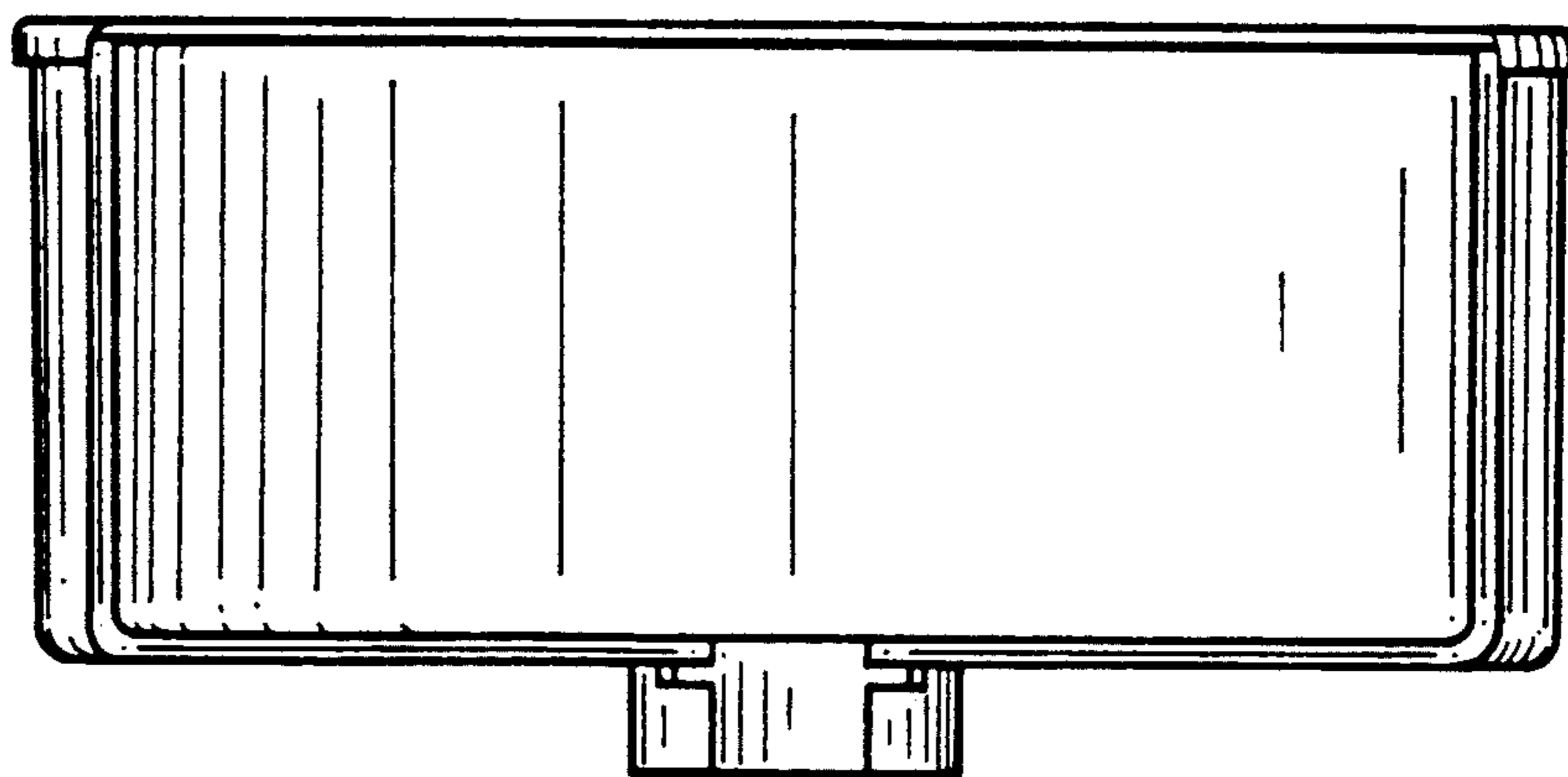


FIG-7

