



US00D344876S

United States Patent [19]

[11] Patent Number: **Des. 344,876**

Vandergon

[45] Date of Patent: **** Mar. 8, 1994**

[54] **CONTAINER HOLDER**

[76] Inventor: **Daniel R. Vandergon**, 196 Third St.
West, Maple Lake, Minn. 55358

[**] Term: **14 Years**

[21] Appl. No.: **844,427**

[22] Filed: **Mar. 4, 1992**

[52] U.S. Cl. **D7/620; D6/567**

[58] Field of Search **D6/573, 524, 535, 553,
D6/556; D8/373; D7/619-620, 624; 211/13,
71, 74-75; 248/309.1, 310, 311.2, 314, 318, 293,
102**

1,215,495	2/1917	Crum .	
3,790,118	2/1974	Warren et al. .	
3,807,674	4/1974	Justen	248/311.2
3,881,677	5/1975	Ihlenfeld	248/311
3,994,465	11/1976	Rudnitzky	248/311.2
4,063,701	12/1977	Wray	248/293
4,191,350	3/1980	Ormond	248/293

Primary Examiner—Brian N. Vinson
Attorney, Agent, or Firm—Burd, Bartz & Gutenkauf

[57] **CLAIM**

The ornamental design for a container holder, as shown and described.

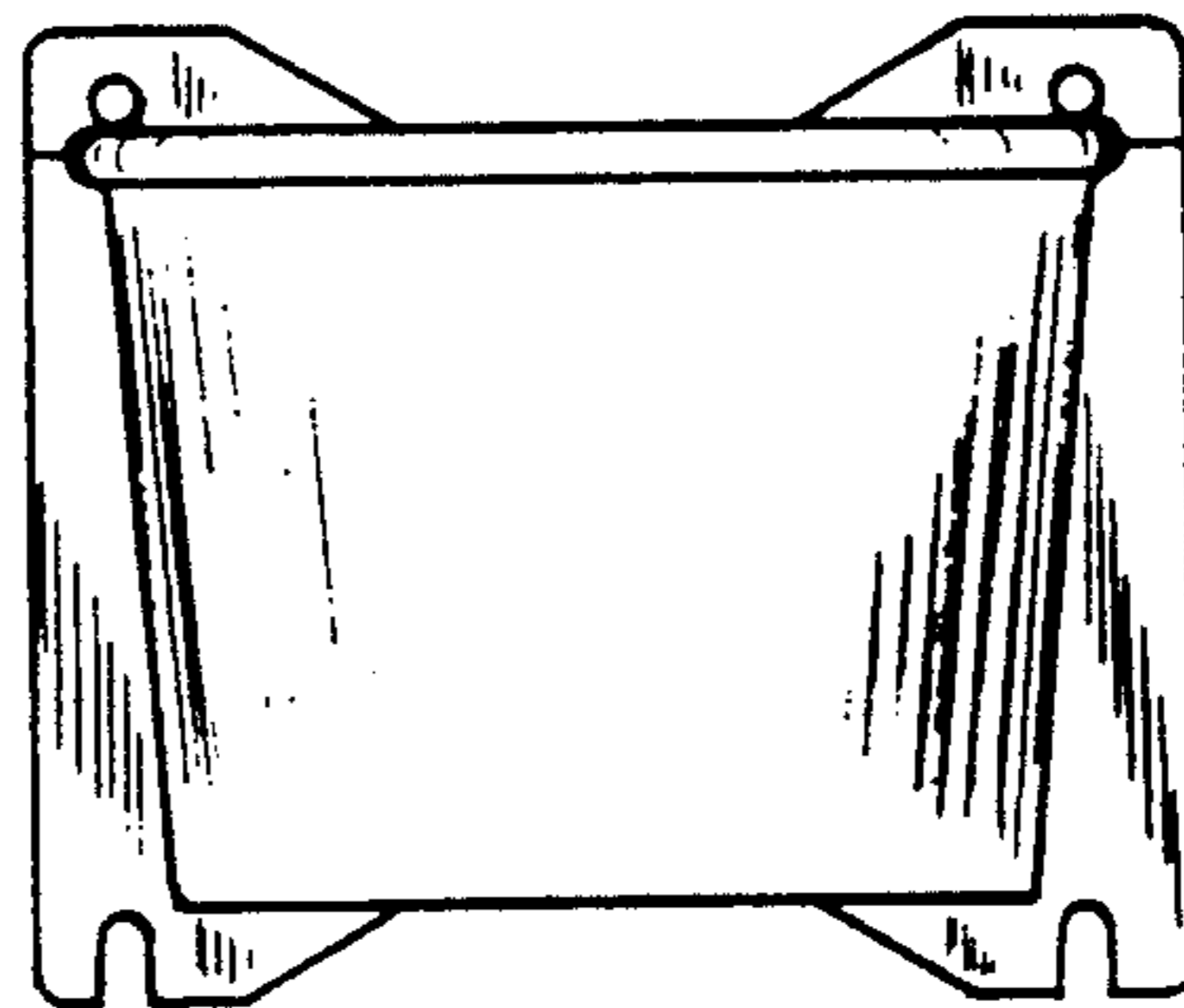
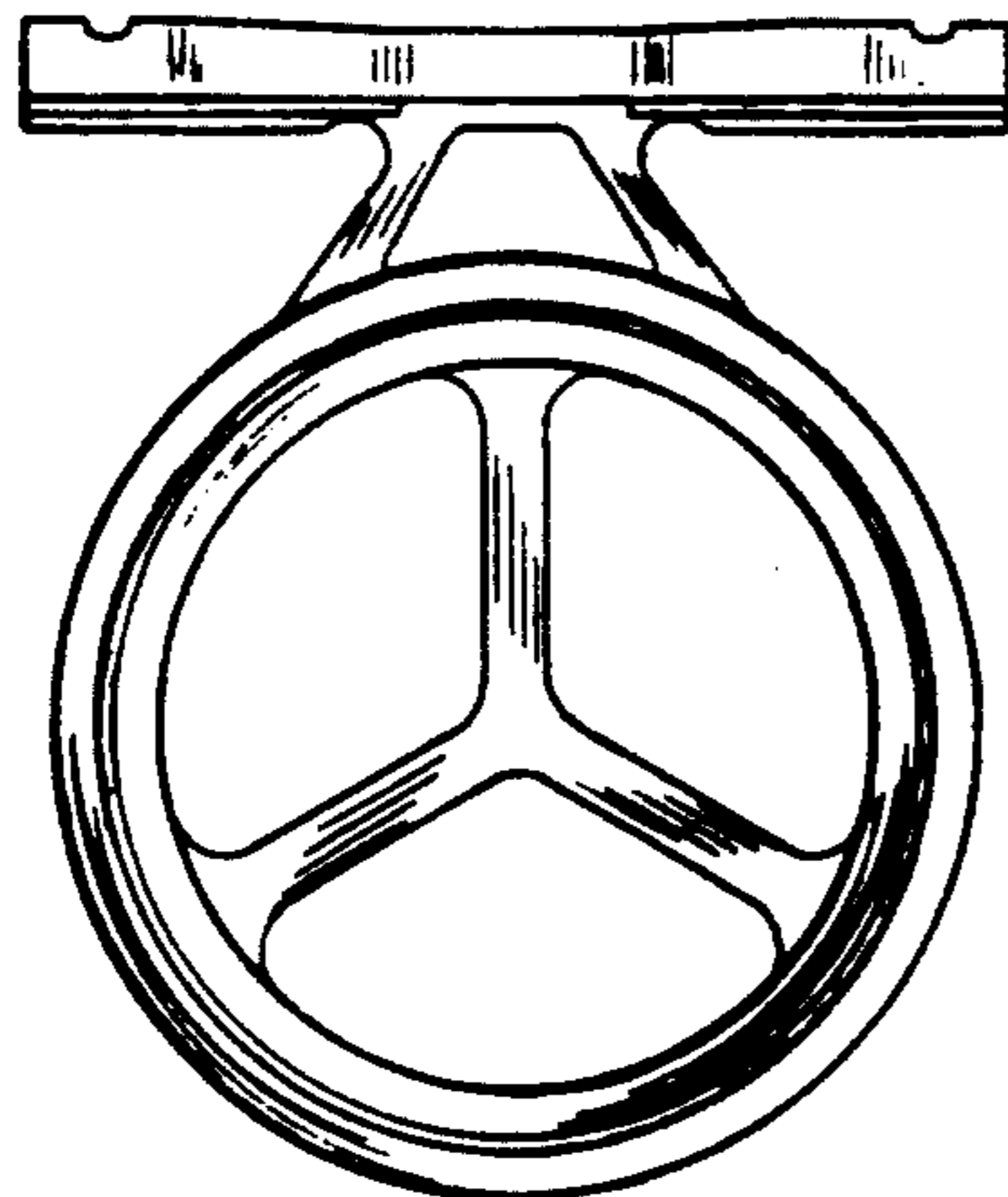
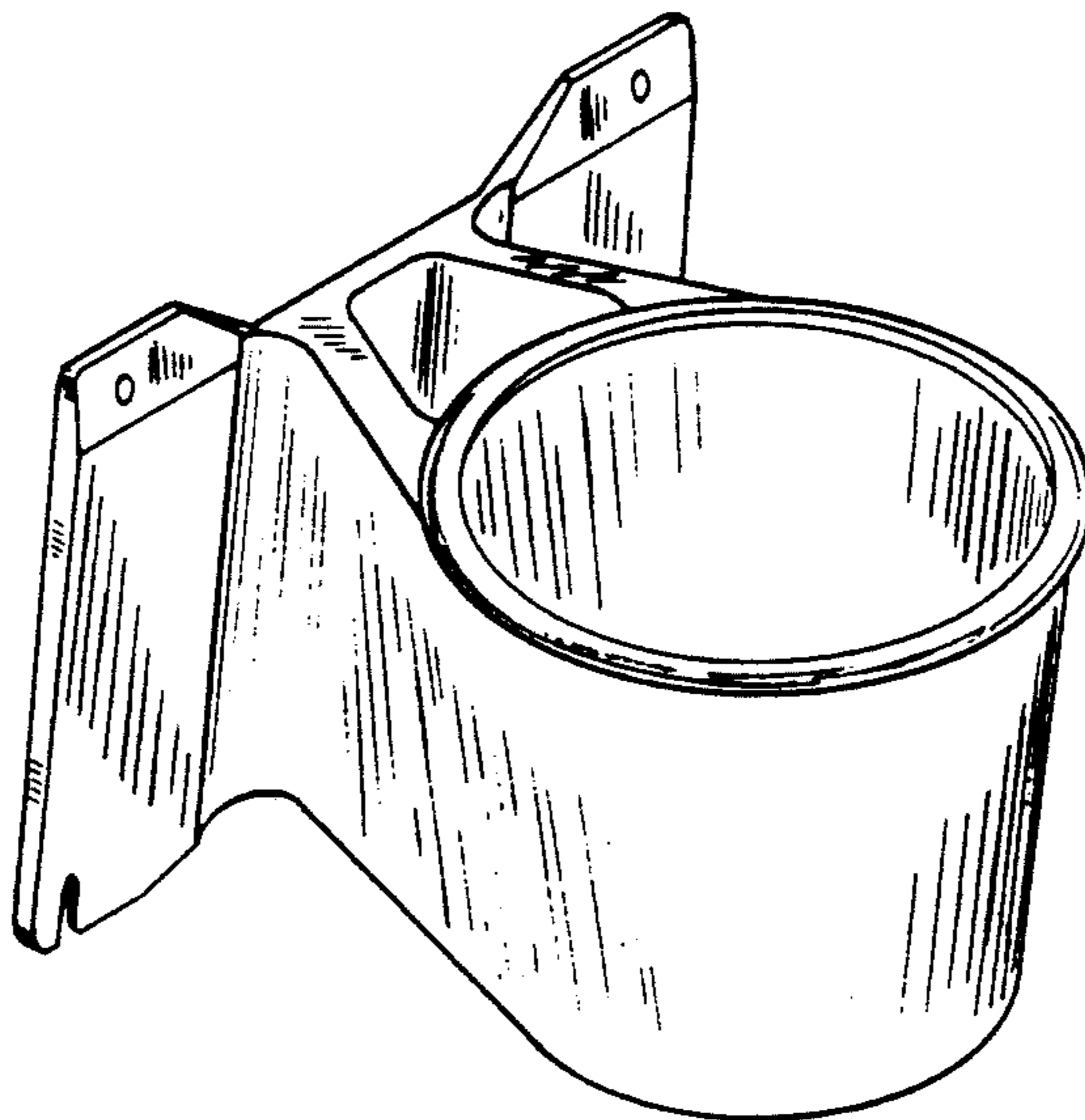
DESCRIPTION

FIG. 1 is a perspective view of the container holder showing my new design;
FIG. 2 is a top plan view thereof;
FIG. 3 is a bottom plan view thereof;
FIG. 4 is a side elevational view thereof, the opposite side being a mirror image thereof;
FIG. 5 is a front elevational view thereof; and,
FIG. 6 is a rear elevational view thereof.

[56] **References Cited**

U.S. PATENT DOCUMENTS

D. 282,702	2/1986	Maus	D6/573
D. 299,482	1/1989	Pearson .	
D. 307,852	5/1990	Clark	D7/620
D. 309,848	8/1990	Sokolski et al.	D7/620
D. 320,723	10/1991	White et al.	D7/620
728,115	5/1903	Killey .	



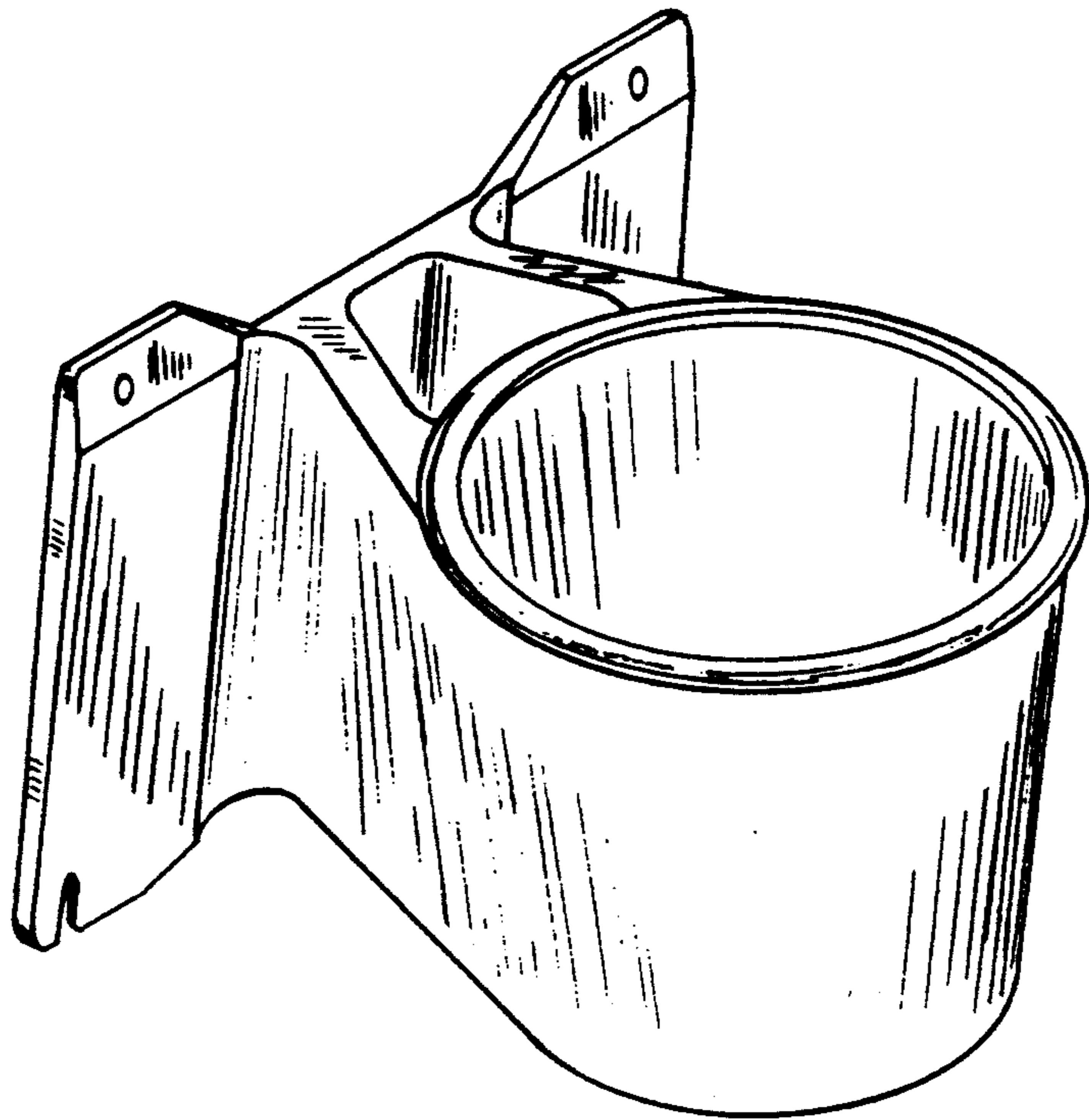


FIG 1

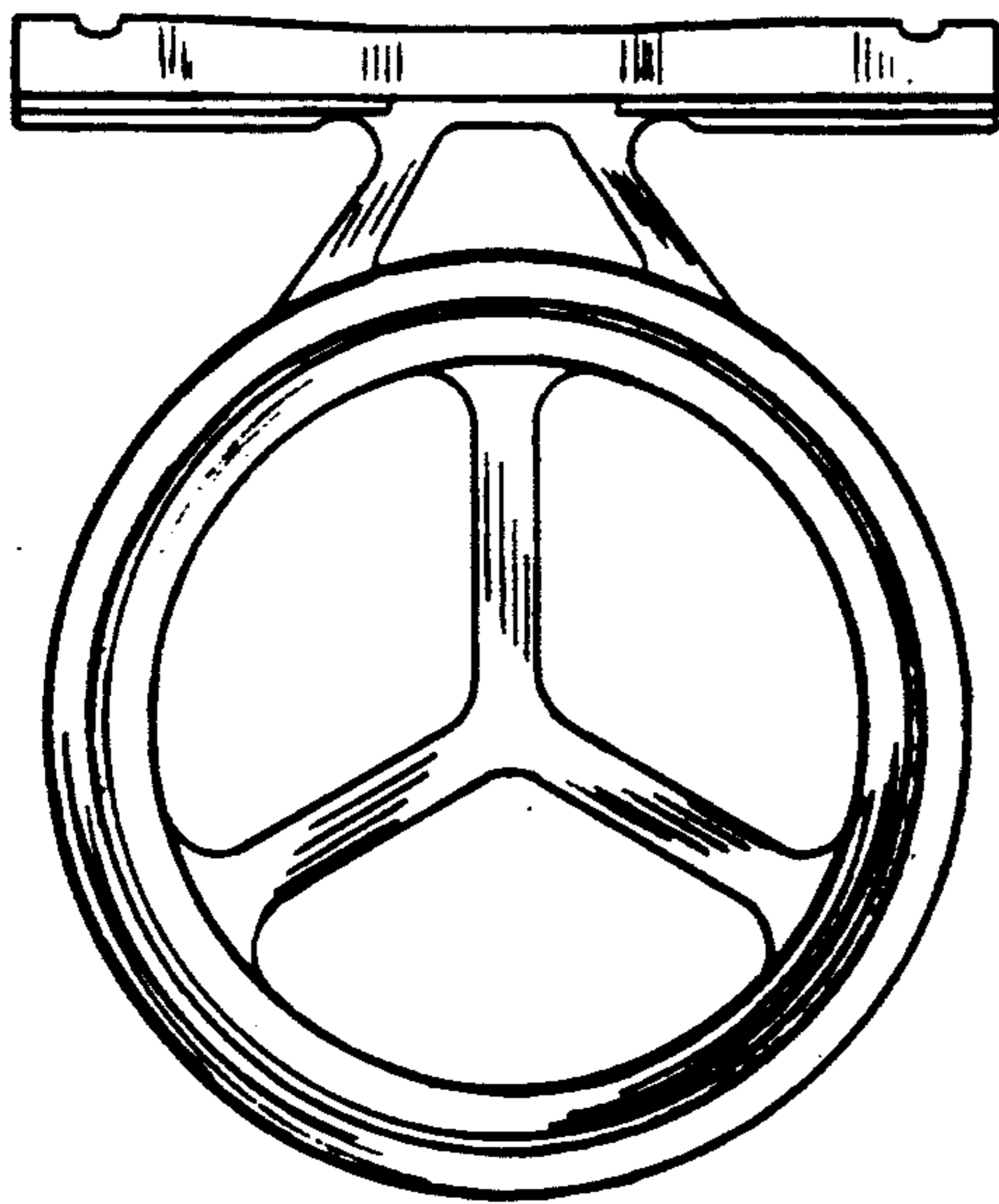


FIG 2

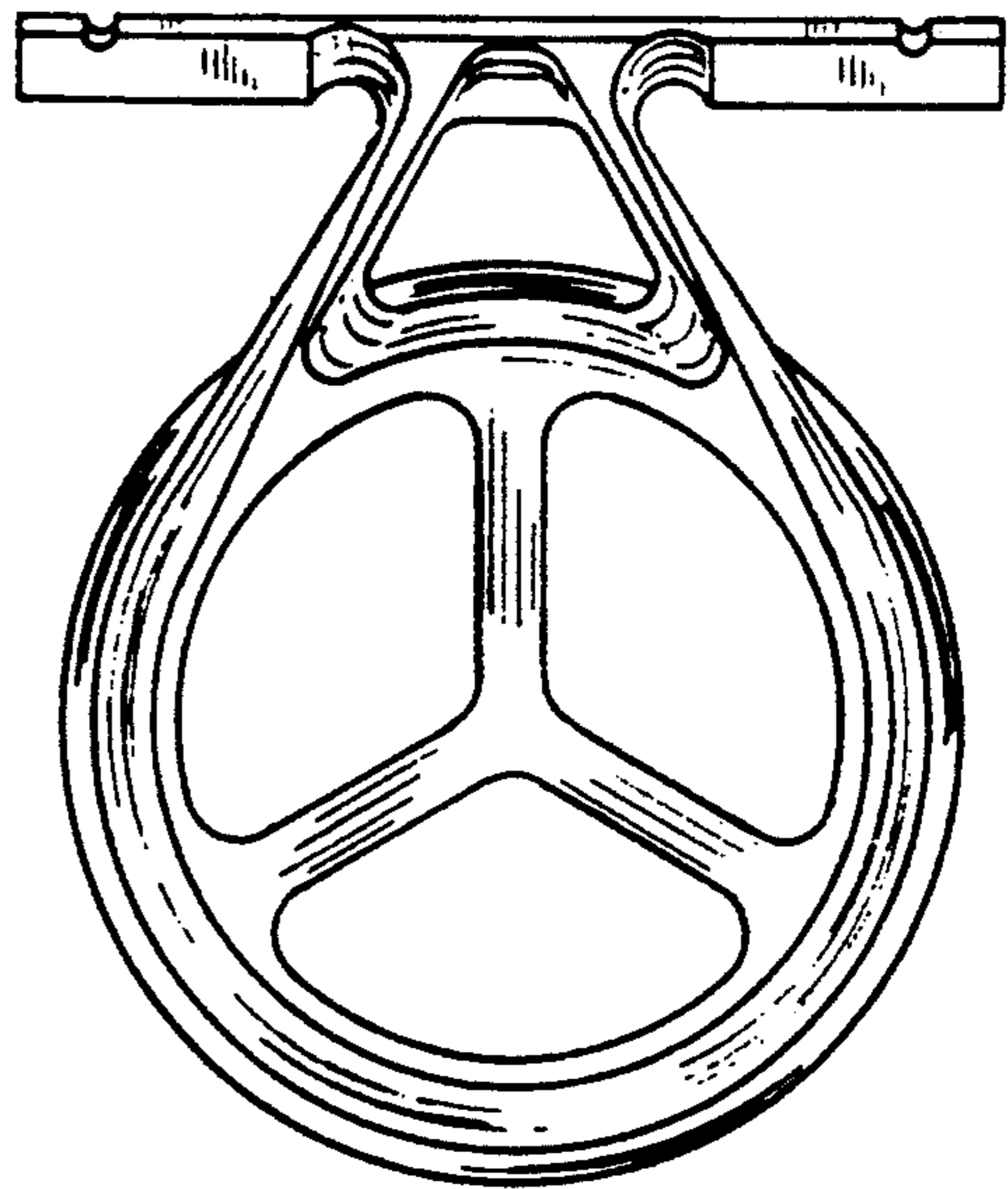


FIG 3

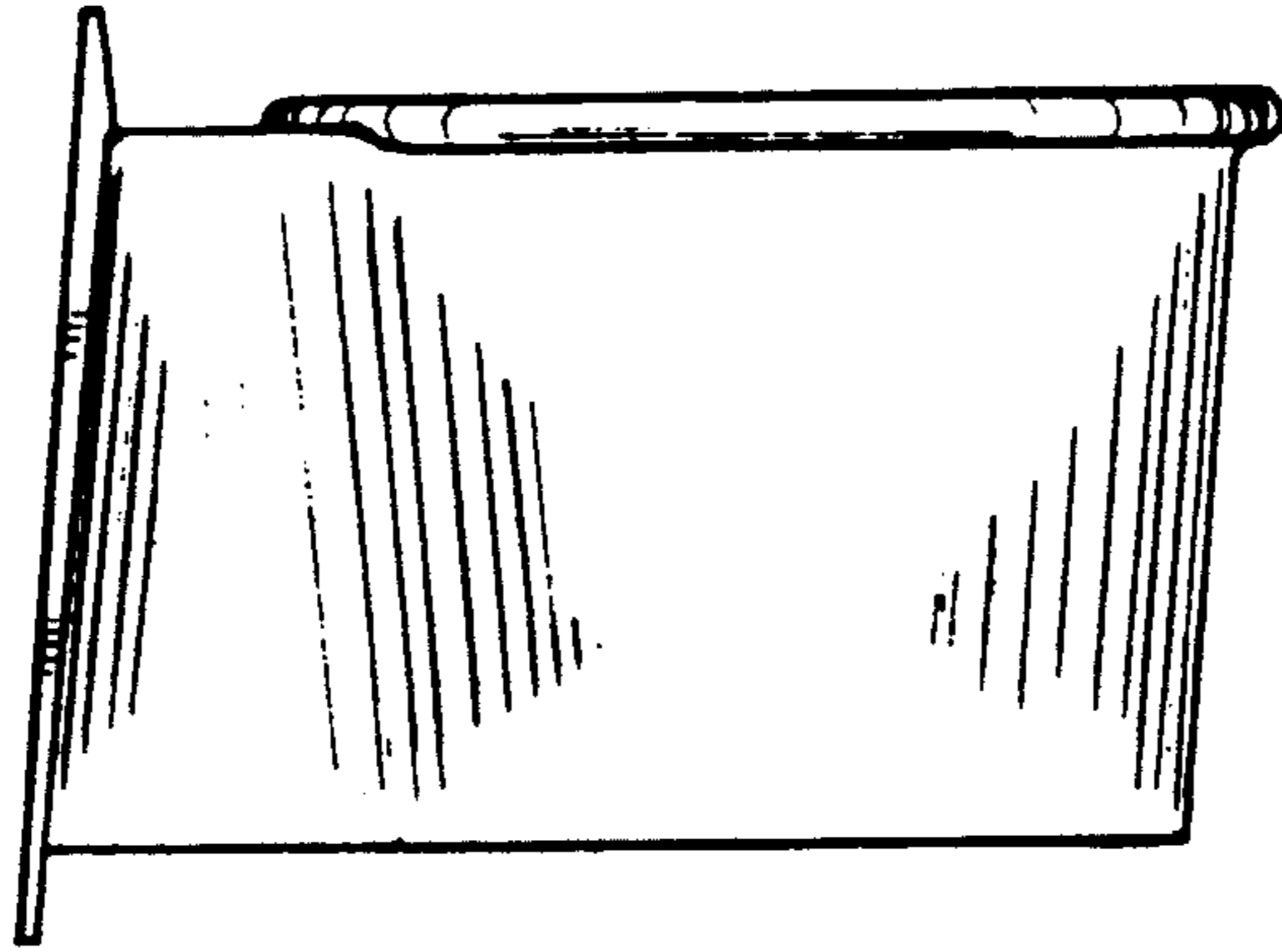


FIG 4

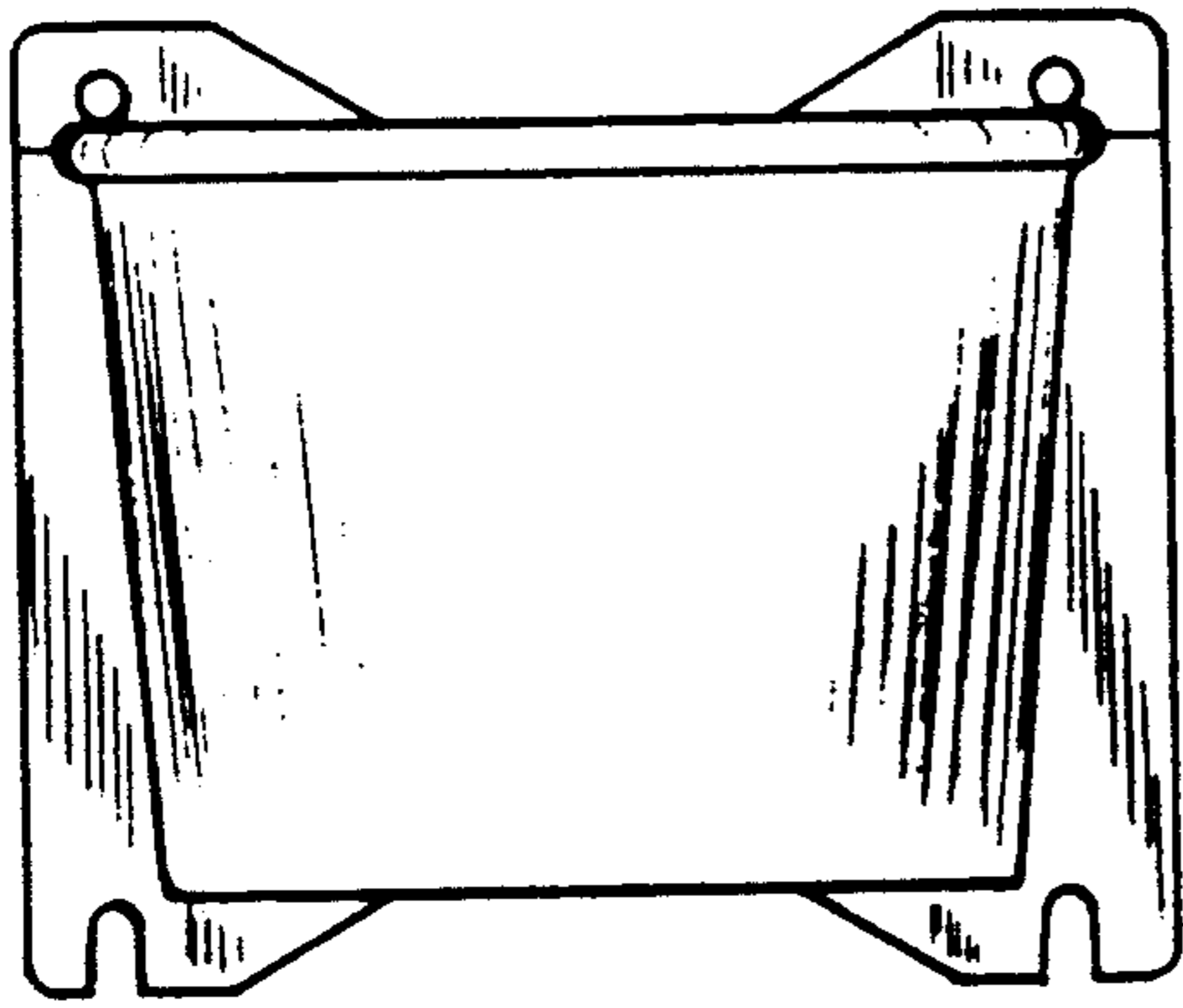


FIG 5

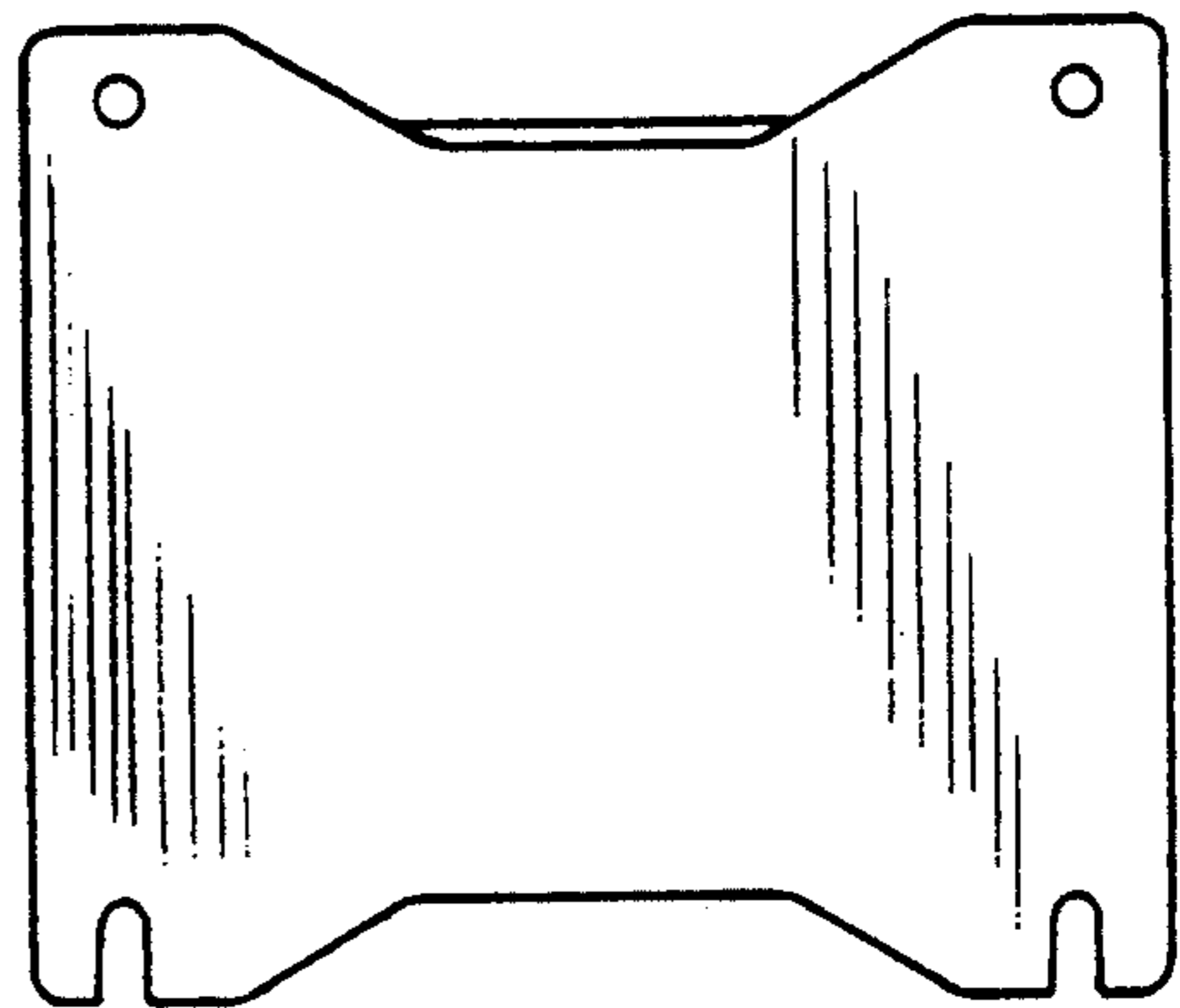


FIG 6