



US00D344873S

United States Patent [19]

[11] Patent Number: **Des. 344,873**

Chang

[45] Date of Patent: **** Mar. 8, 1994**

[54] CONVECTION OVEN LID

D. 328,687	8/1992	Dornbush et al.	D7/350
D. 328,834	8/1992	Chang	D7/348
D. 334,864	4/1993	Chang	D7/350

[76] Inventor: **Chung-Yuan Chang**, 9245 Brown Deer Rd., San Diego, Calif. 92121

Primary Examiner—Ruth McInroy
Attorney, Agent, or Firm—Frank D. Gilliam

[**] Term: **14 Years**

[21] Appl. No.: **920,994**

[57] **CLAIM**

[22] Filed: **Jul. 28, 1992**

The ornamental design for a convection oven lid, as shown and described.

[52] U.S. Cl. **D7/402; D7/348**

[58] Field of Search **D7/347, 348, 350; 99/325, 341, 359, 467, 468; 126/275 R, 275 E; 219/391, 400, 402**

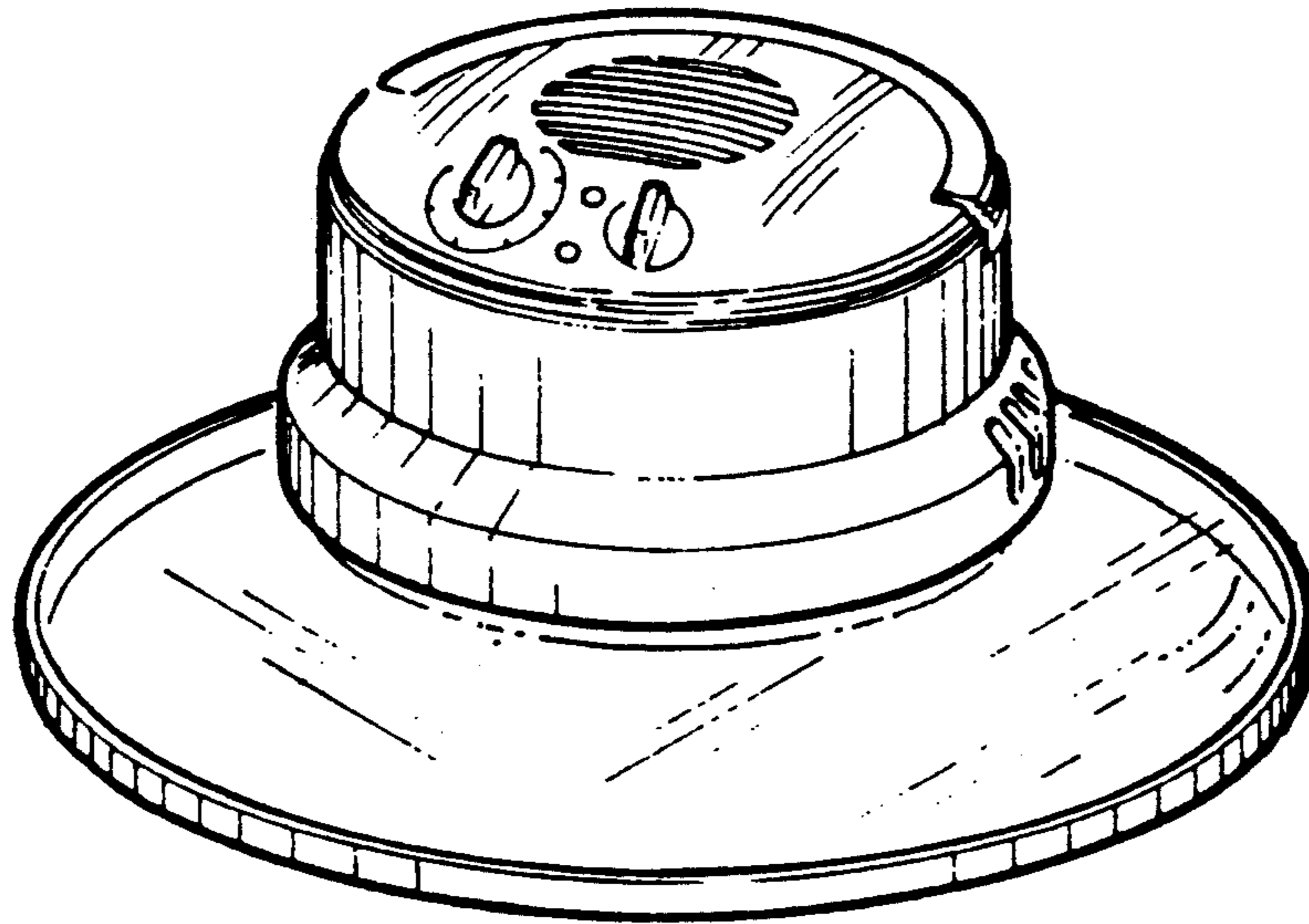
DESCRIPTION

[56] **References Cited**

U.S. PATENT DOCUMENTS

D. 293,539	1/1988	Nishikawa	D7/350
D. 302,095	7/1989	Nishikawa	D7/350
D. 321,109	10/1991	Erickson et al.	D7/350
D. 321,110	10/1991	Worrell et al.	D7/350

FIG. 1 is a front perspective view of a convection oven lid showing my new design;
FIG. 2 is a top plan view thereof;
FIG. 3 is a front elevational view thereof;
FIG. 4 is a left side elevational view thereof, the handle shown in an upright position and the right side being a mirror image;
FIG. 5 is a bottom plan view thereof; and,
FIG. 6 is a rear elevational view thereof.



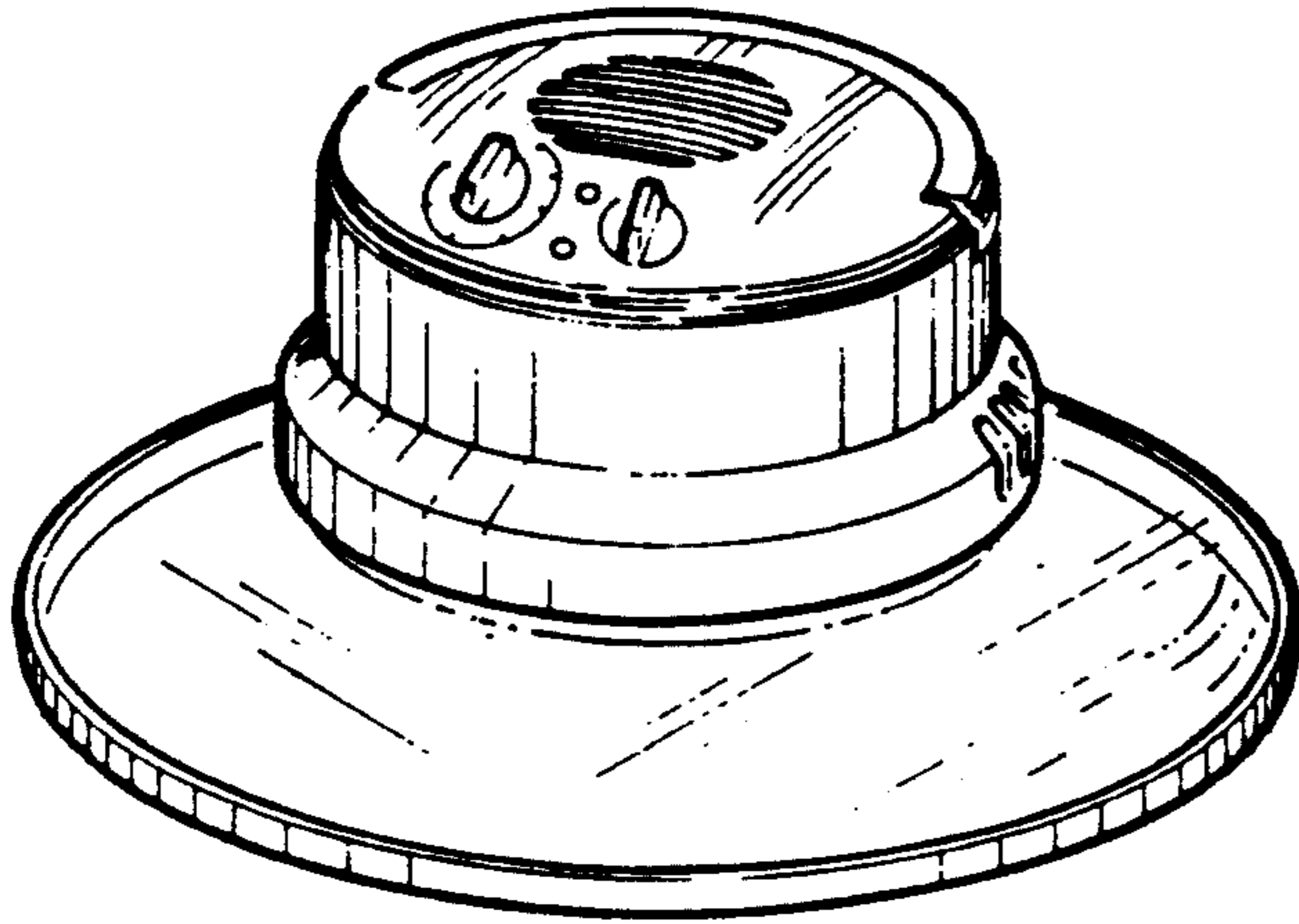


FIGURE 1

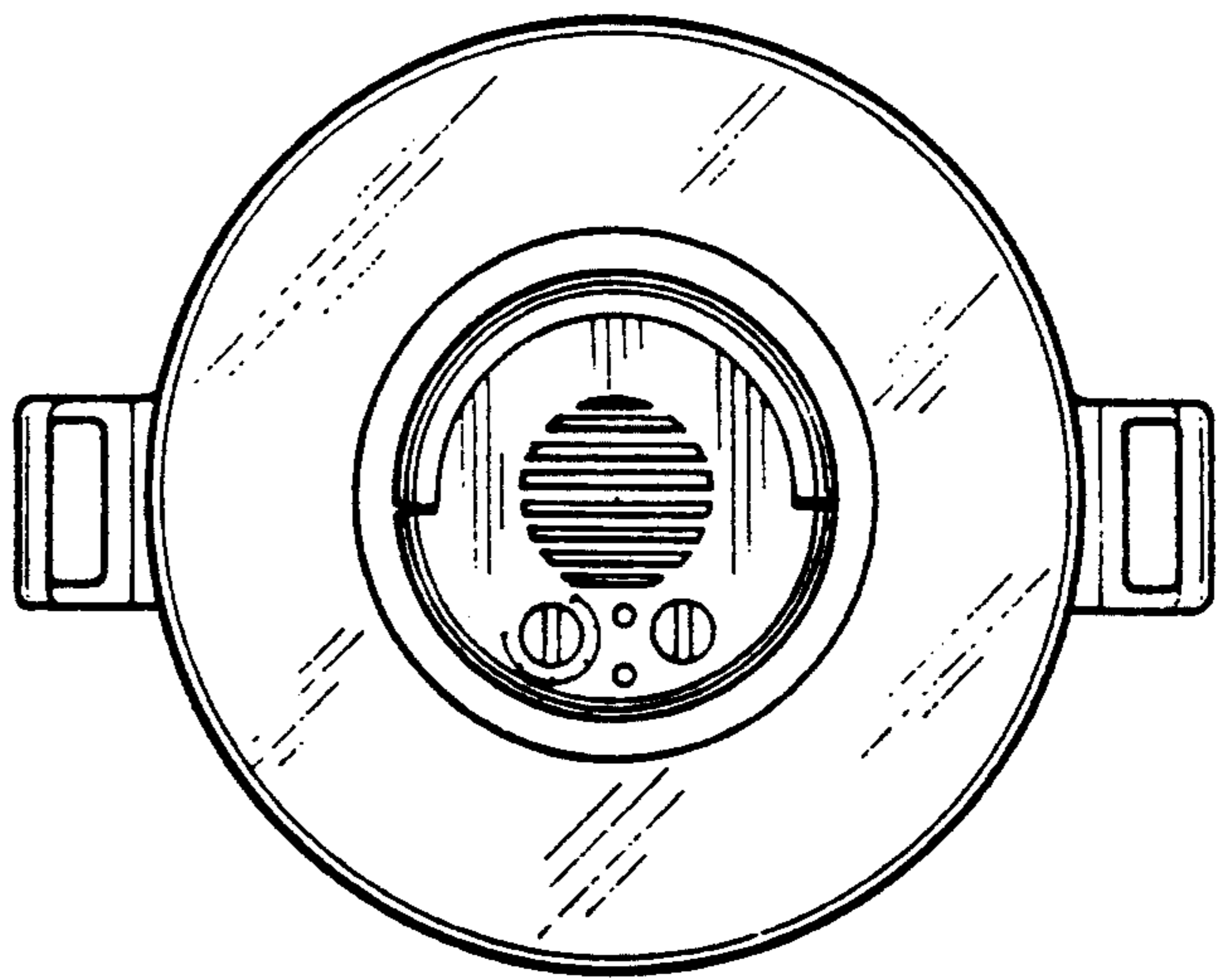


FIGURE 2

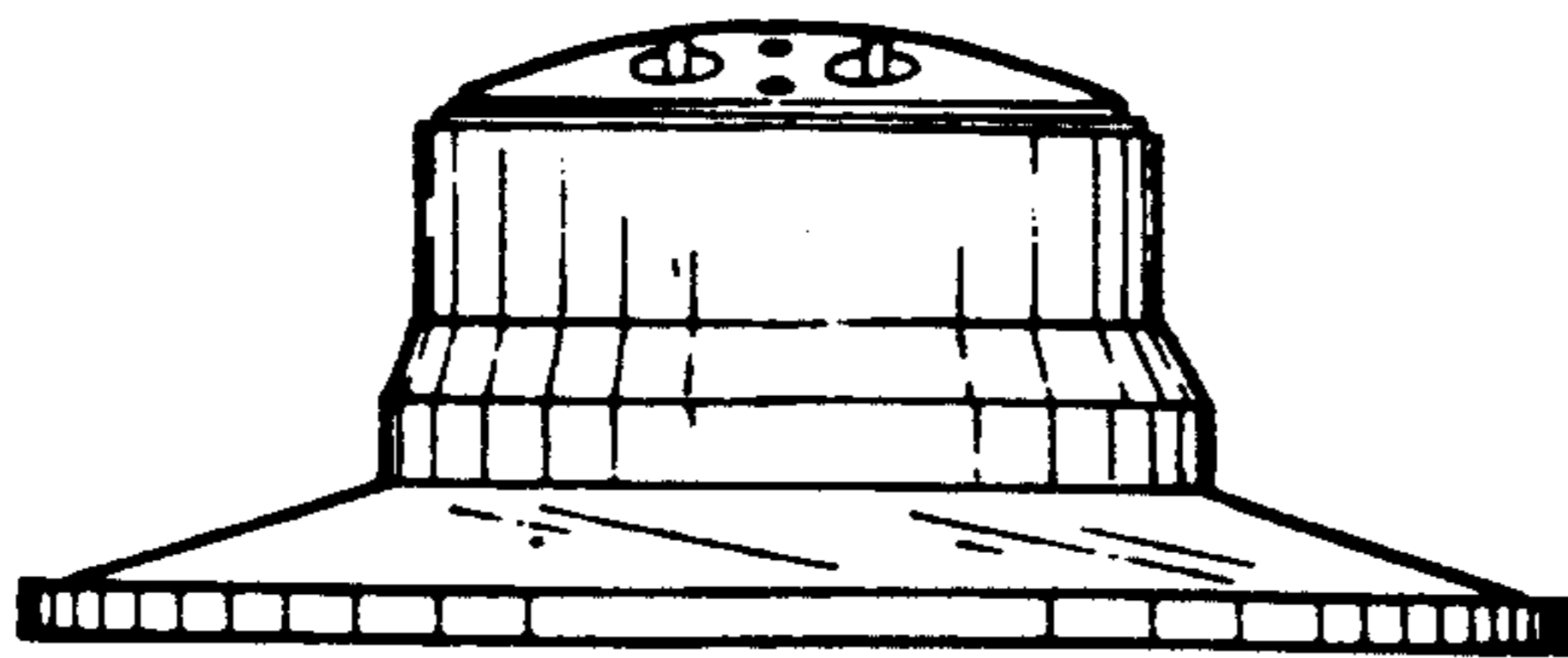


FIGURE 3

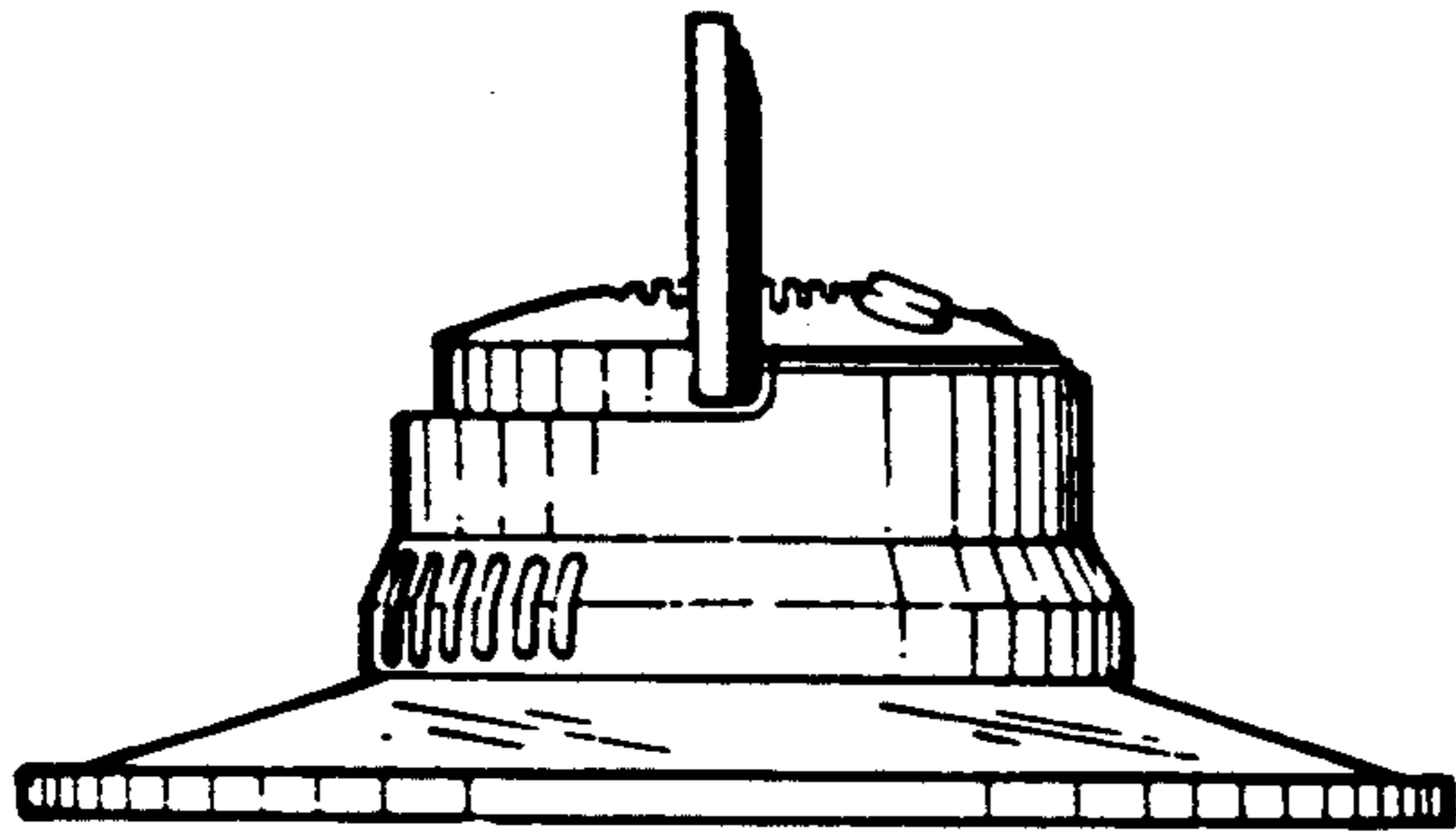


FIGURE 4

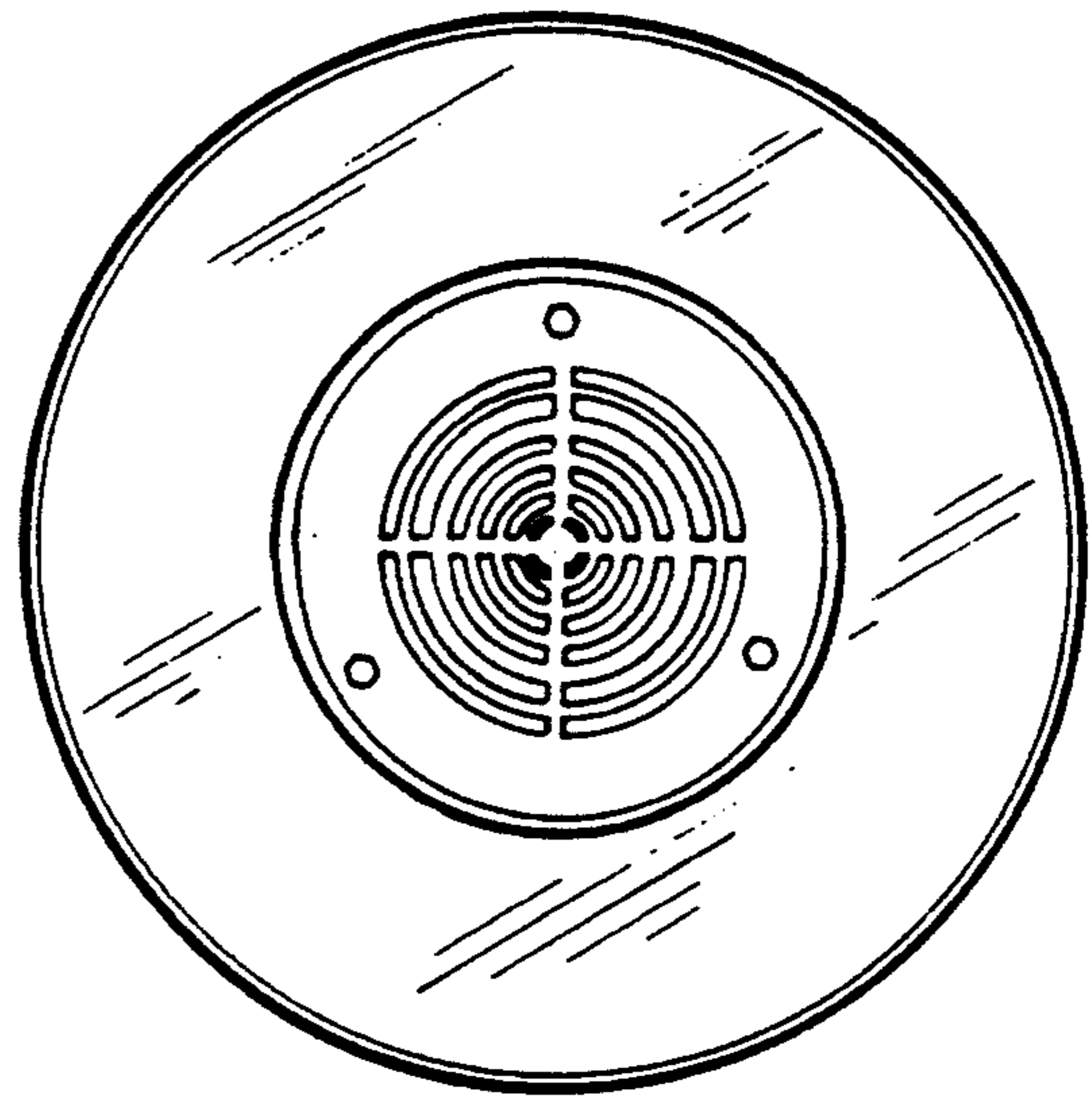


FIGURE 5

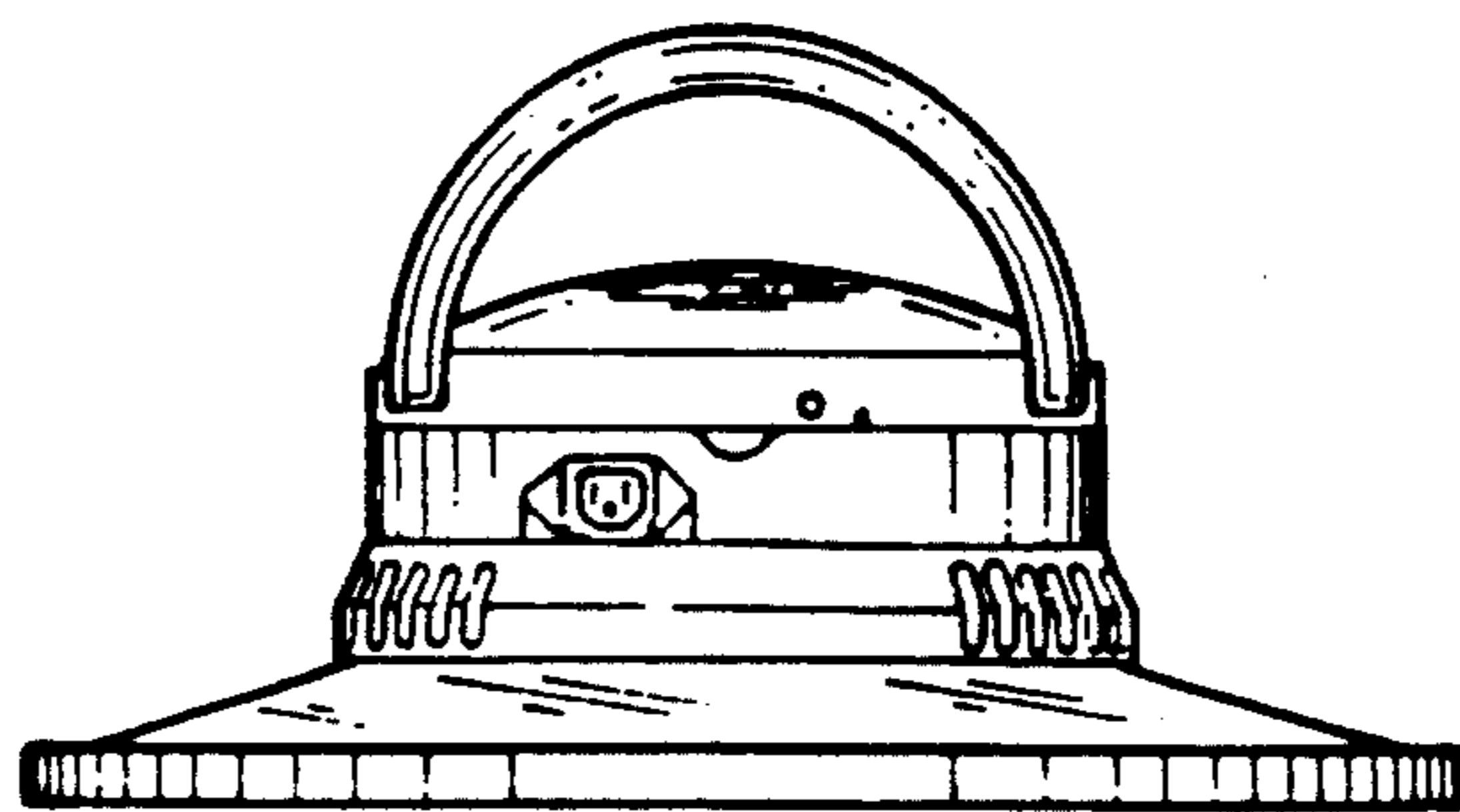


FIGURE 6