



US00D344872S

United States Patent [19]

[11] Patent Number: **Des. 344,872**

Velez

[45] Date of Patent: **** Mar. 8, 1994**

[54] **DEVICE FOR SERVING SIX GLASSES SIMULTANEOUSLY**

3,732,903	5/1973	Oates	141/237
3,794,088	2/1974	Harvey	141/237
4,972,886	11/1990	Bernstein	141/237 X
5,092,378	3/1992	Dunham	141/237

[76] Inventor: **Miguel A. Velez**, Coll y Toste B-B-8, Levittown, P.R. 00949

Primary Examiner—Alan P. Douglas
Assistant Examiner—M. N. Pandozzi
Attorney, Agent, or Firm—Norman B. Rainer

[**] Term: **14 Years**

[21] Appl. No.: **923,441**

[22] Filed: **Aug. 3, 1992**

[52] U.S. Cl. **D7/397; D7/400; D7/300**

[57] **CLAIM**

The ornamental design for a device for serving six glasses simultaneously, as shown and described.

[58] Field of Search **D7/369, 667, 620, 392.1, D7/396.1, 213, 396.2, 397, 398, 399, 400, 300, 392, 300.2; 141/244, 242, 240, 238, 237, 331**

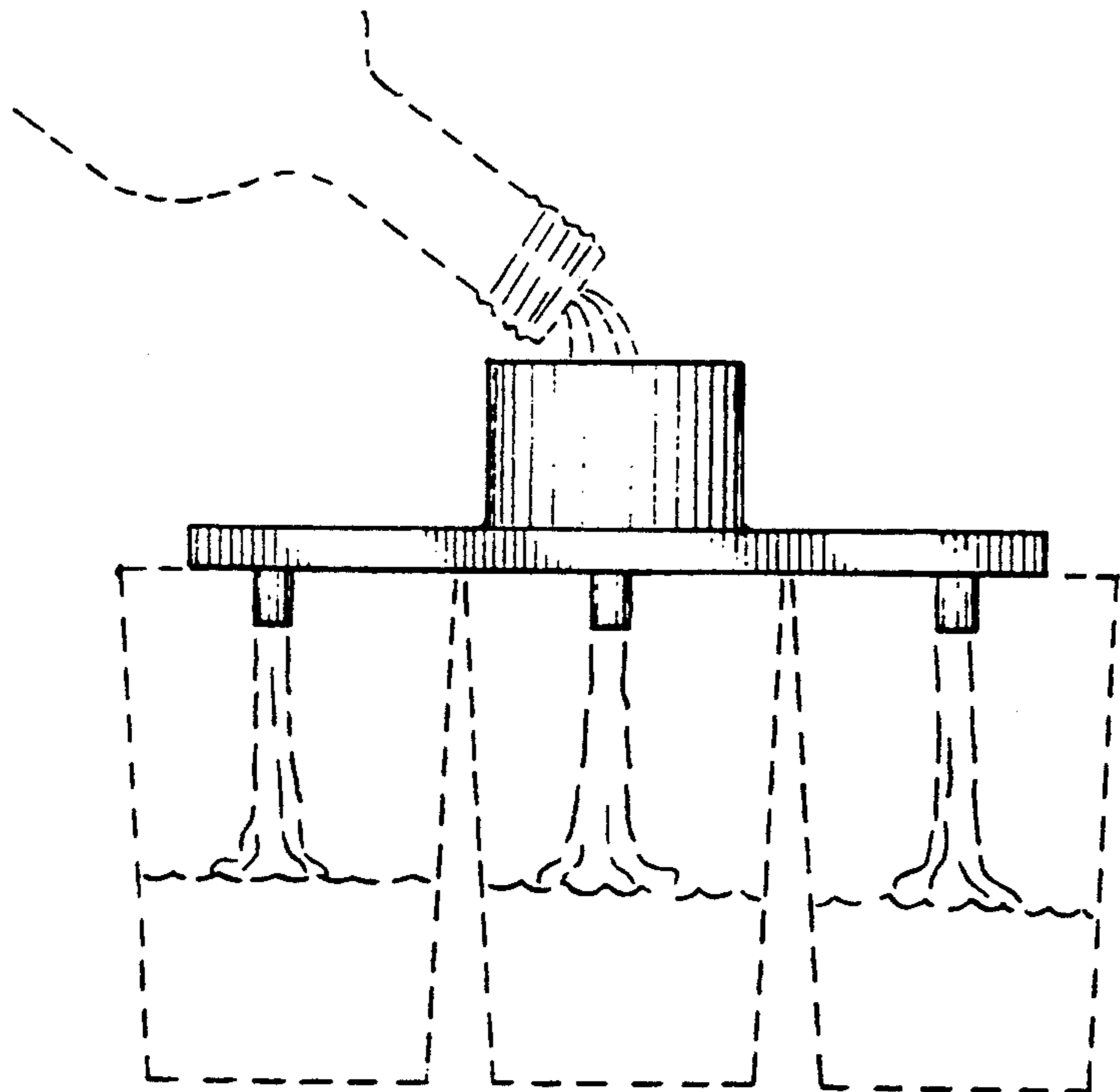
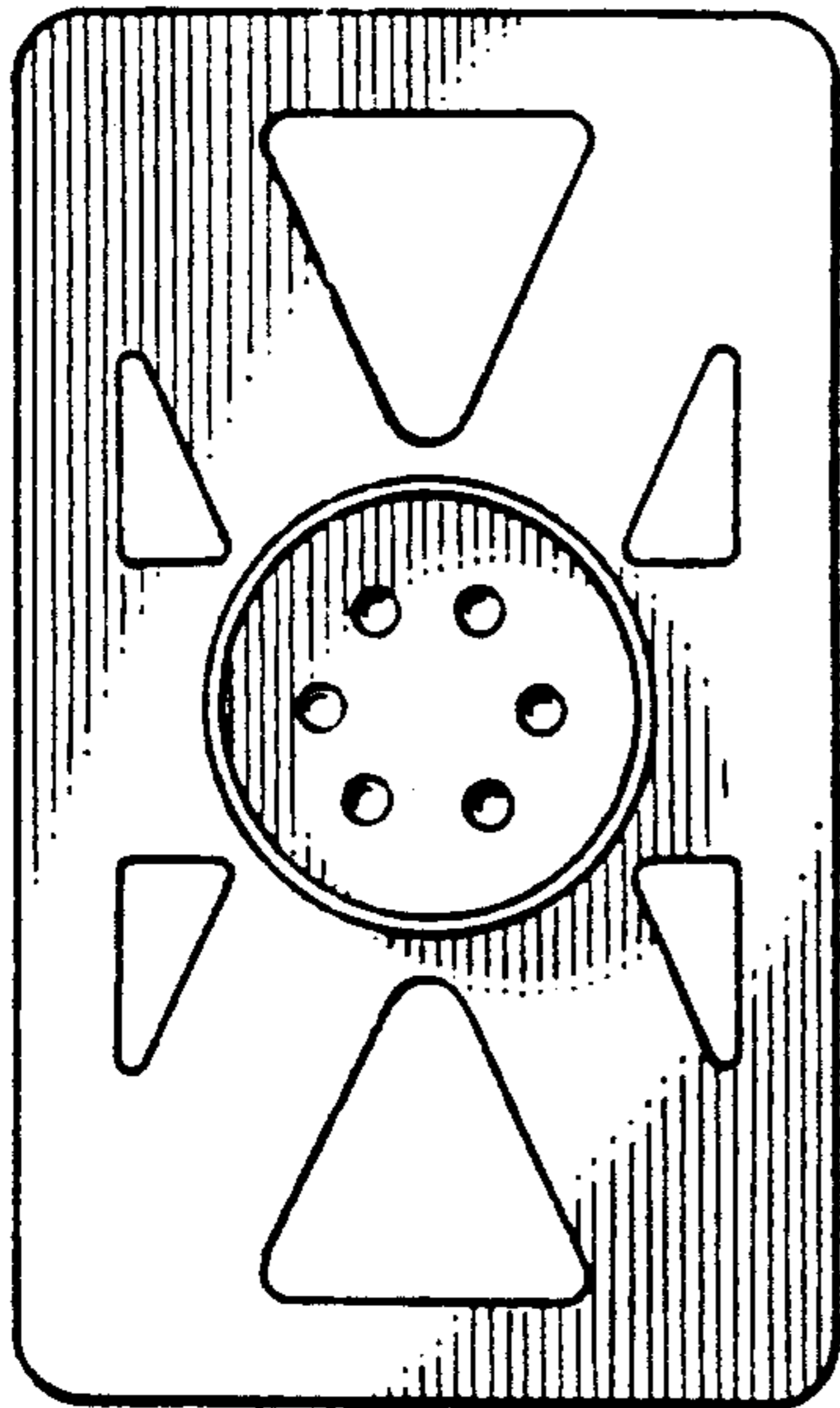
DESCRIPTION

FIG. 1 is a top plan view of the device for serving six glasses simultaneously showing my new design; FIG. 2 is a bottom view thereof; FIG. 3 is a sectional view taken in the direction of the arrows upon the line 3—3 of FIG. 2; and, FIG. 4 is a side elevational view thereof, in use. The broken line showing of a portion of a beverage bottle and three receiving glasses with liquid is for illustrative purposes only and forms no part of the claimed design.

[56] **References Cited**

U.S. PATENT DOCUMENTS

D. 63,273	11/1923	Switzer	D7/392
D. 138,398	8/1944	Reynolds	D7/667
D. 333,407	2/1993	Whitten	D7/300.2 X
2,447,281	8/1948	Schneir	141/237
3,566,929	3/1971	Mead	141/237
3,693,673	9/1972	Oates	141/237



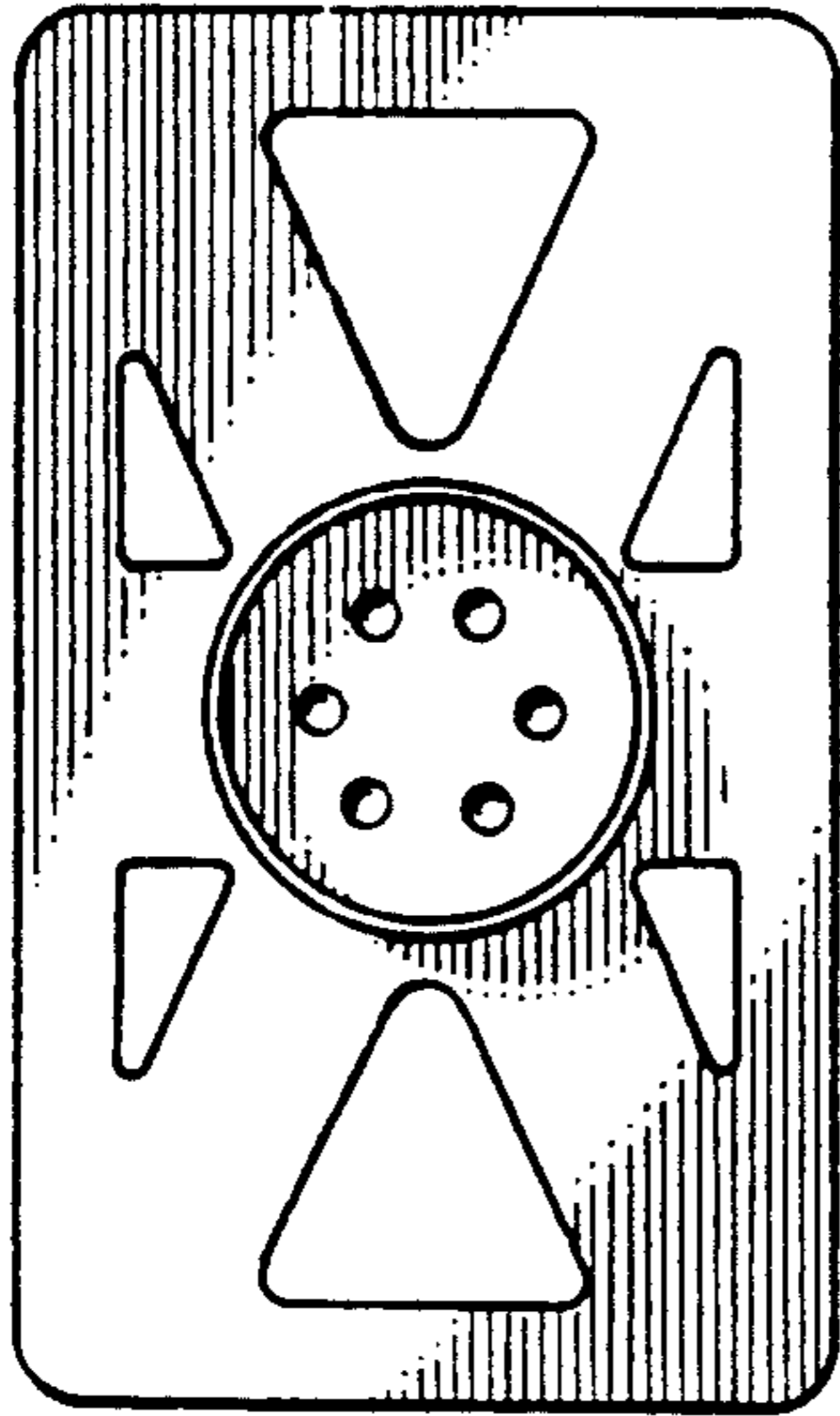


FIG. 1

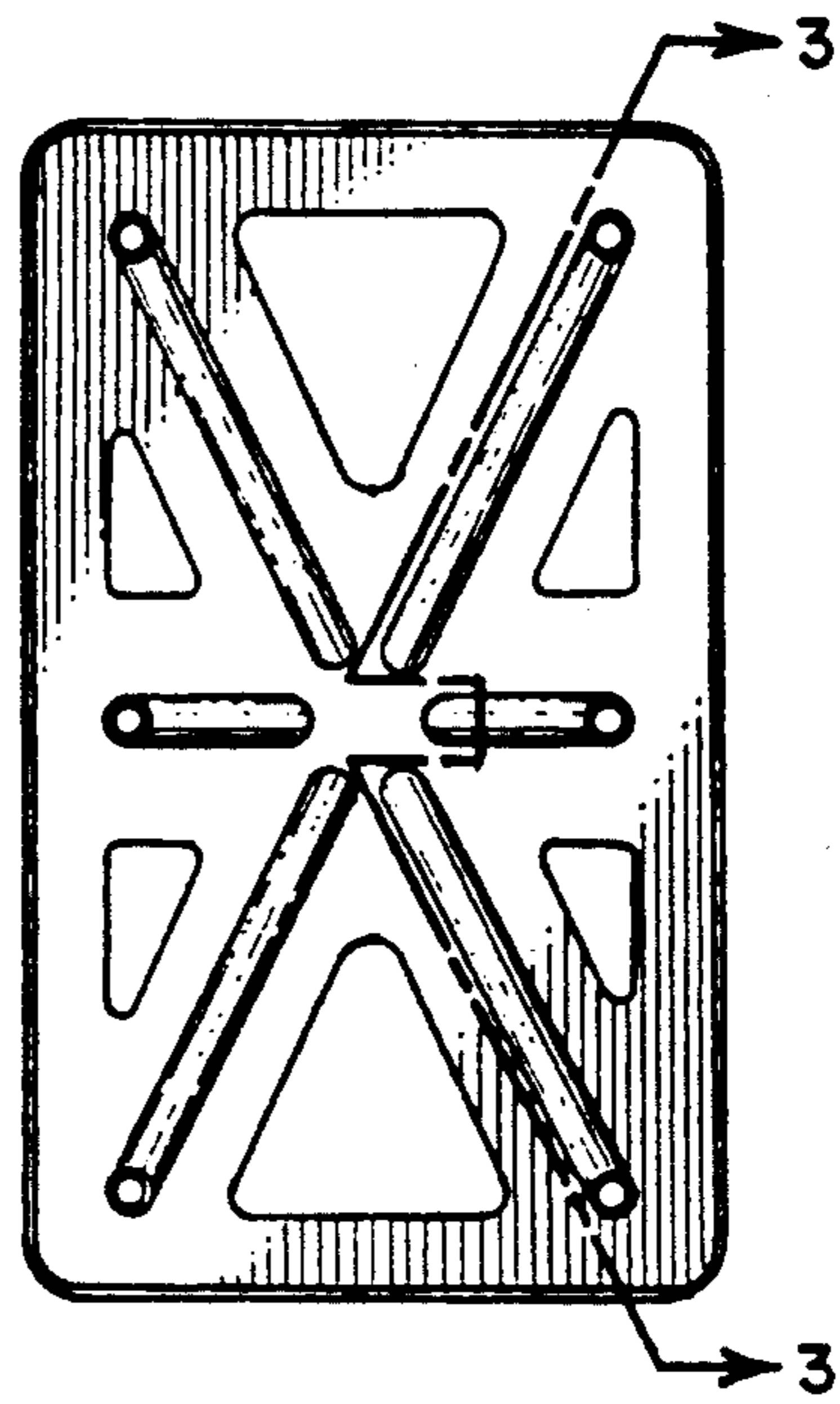


FIG. 2

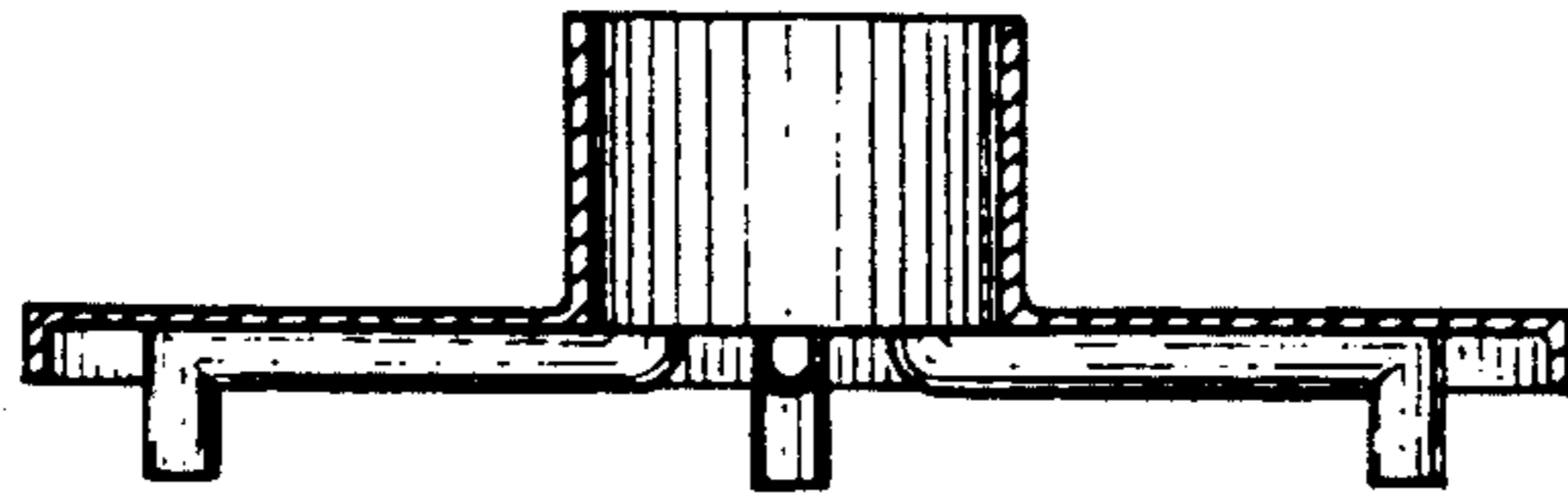


FIG. 3

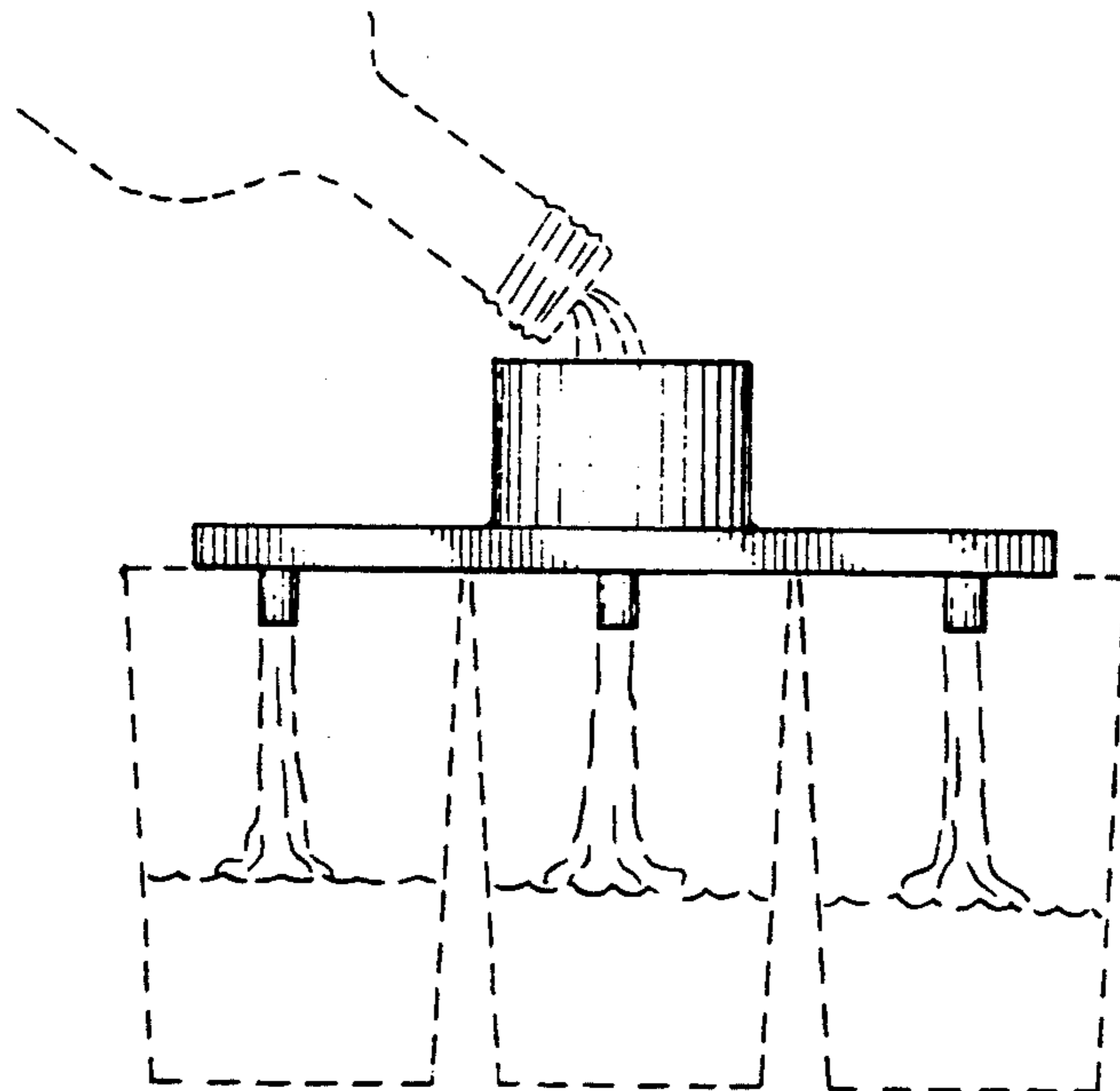


FIG. 4